



US00D453102S

(12) **United States Design Patent**  
**Postelwait**

(10) **Patent No.:** **US D453,102 S**

(45) **Date of Patent:** **\*\* Jan. 29, 2002**

(54) **SIDE PULL HOIST RING**

D409,895 S 5/1999 Schron, Jr. et al. .... D8/349  
D431,180 S \* 9/2000 Gray, Jr. .... D8/367

(75) Inventor: **Larry Postelwait**, Catoosa, OK (US)

\* cited by examiner

(73) Assignee: **The Crosby Group, Inc.**, Tulsa, OK (US)

*Primary Examiner*—Pamela Burgess

(74) *Attorney, Agent, or Firm*—Head, Johnson & Kachigian

(\*\*) Term: **14 Years**

(57) **CLAIM**

(21) Appl. No.: **29/135,226**

The design for a side pull hoist ring, as shown and described.

(22) Filed: **Jan. 8, 2001**

**DESCRIPTION**

(51) **LOC (7) Cl.** ..... **08-05**

(52) **U.S. Cl.** ..... **D8/349; D8/367**

(58) **Field of Search** ..... D8/349, 354, 394-396,  
D8/356, 382, 367; 403/78; 294/1.1, 89;  
248/499, 62, 72, 74.1; D34/35

FIG. 1 is a perspective view of a side pull hoist ring showing my new design, the broken lines shown are for illustrative purposes only and form no part of the claimed design; FIG. 2 is an alternate perspective view; FIG. 3 is a right side elevational view thereof; FIG. 4 is a left side elevational view thereof; FIG. 5 is a front view thereof; FIG. 6 is a rear view thereof; FIG. 7 is a top view thereof; and, FIG. 8 is a bottom view thereof.

(56) **References Cited**

**U.S. PATENT DOCUMENTS**

D43,847 S \* 4/1913 Mallory ..... D8/349  
5,007,604 A \* 4/1991 Richards ..... 248/62  
5,435,506 A \* 7/1995 Wiley ..... 248/74.1

**1 Claim, 2 Drawing Sheets**

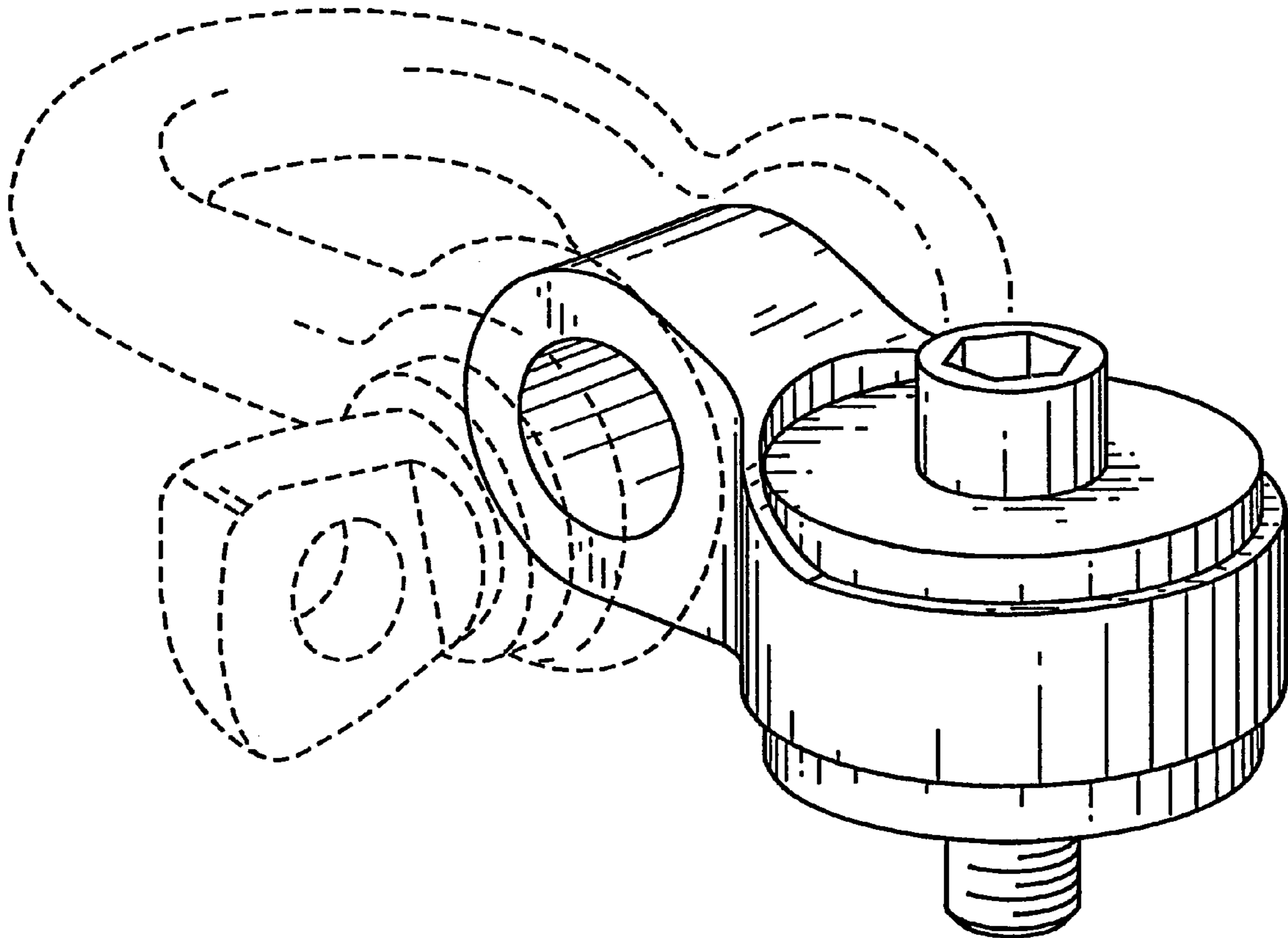


FIG. 1

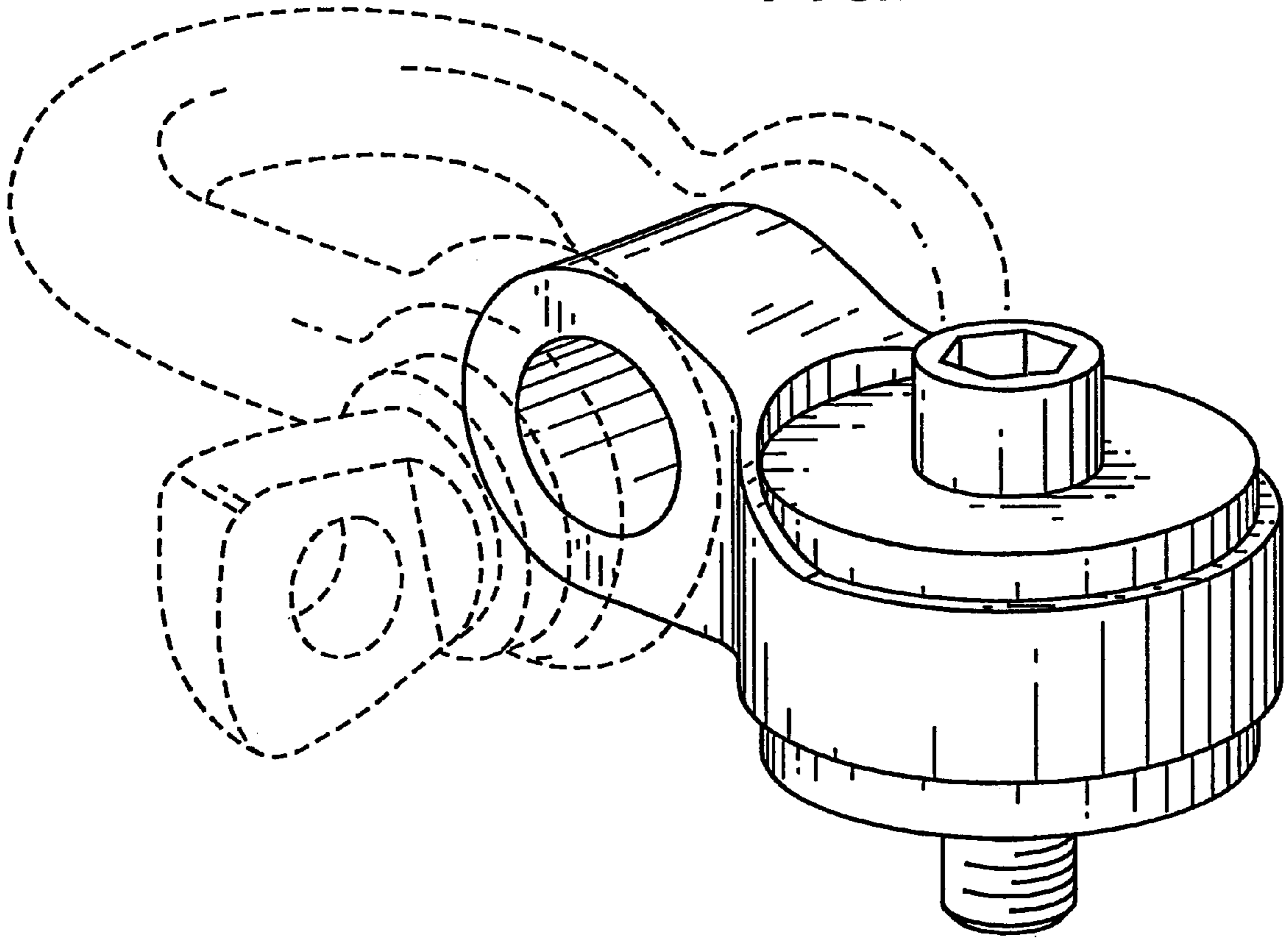


FIG. 2

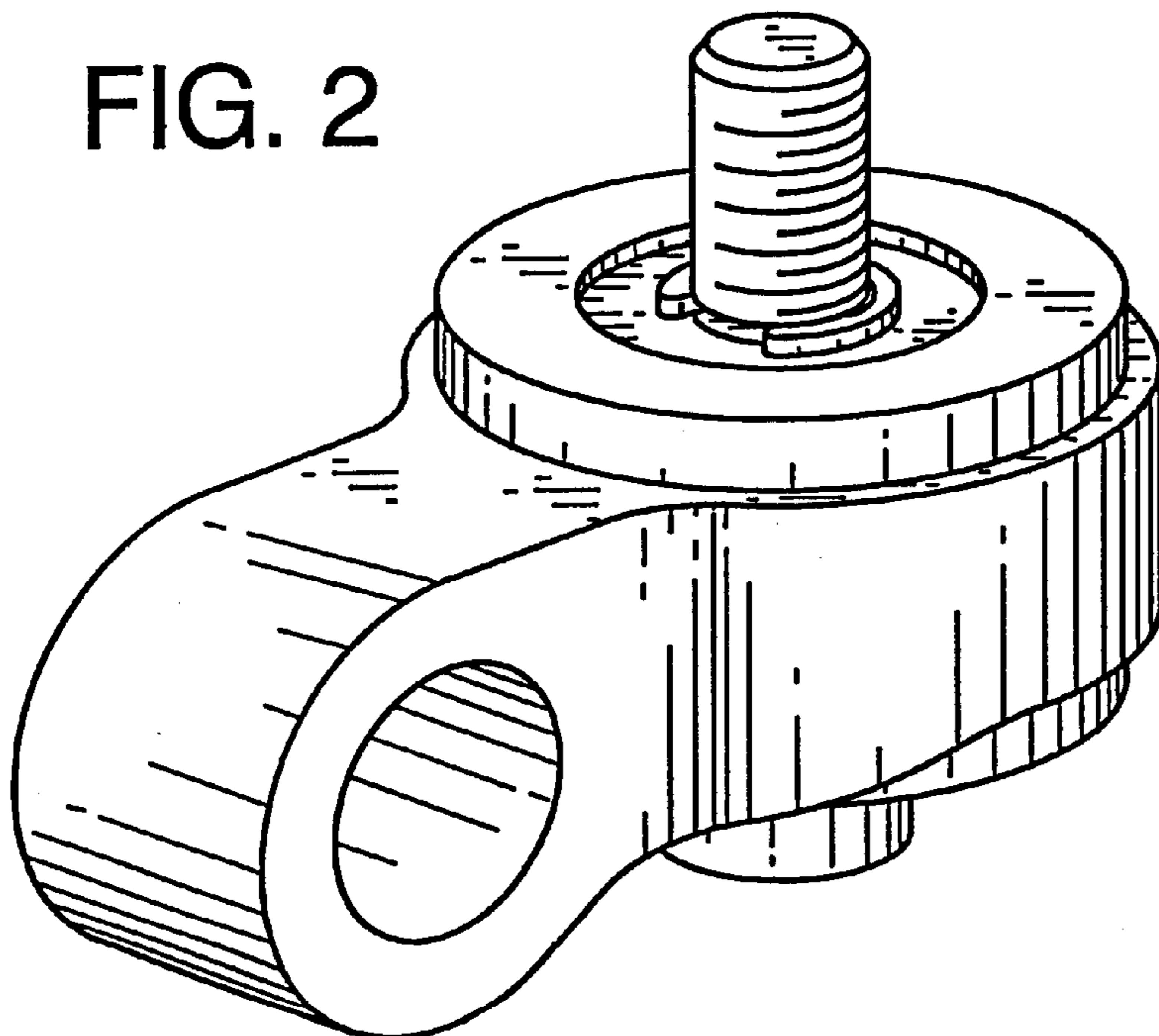


FIG. 3

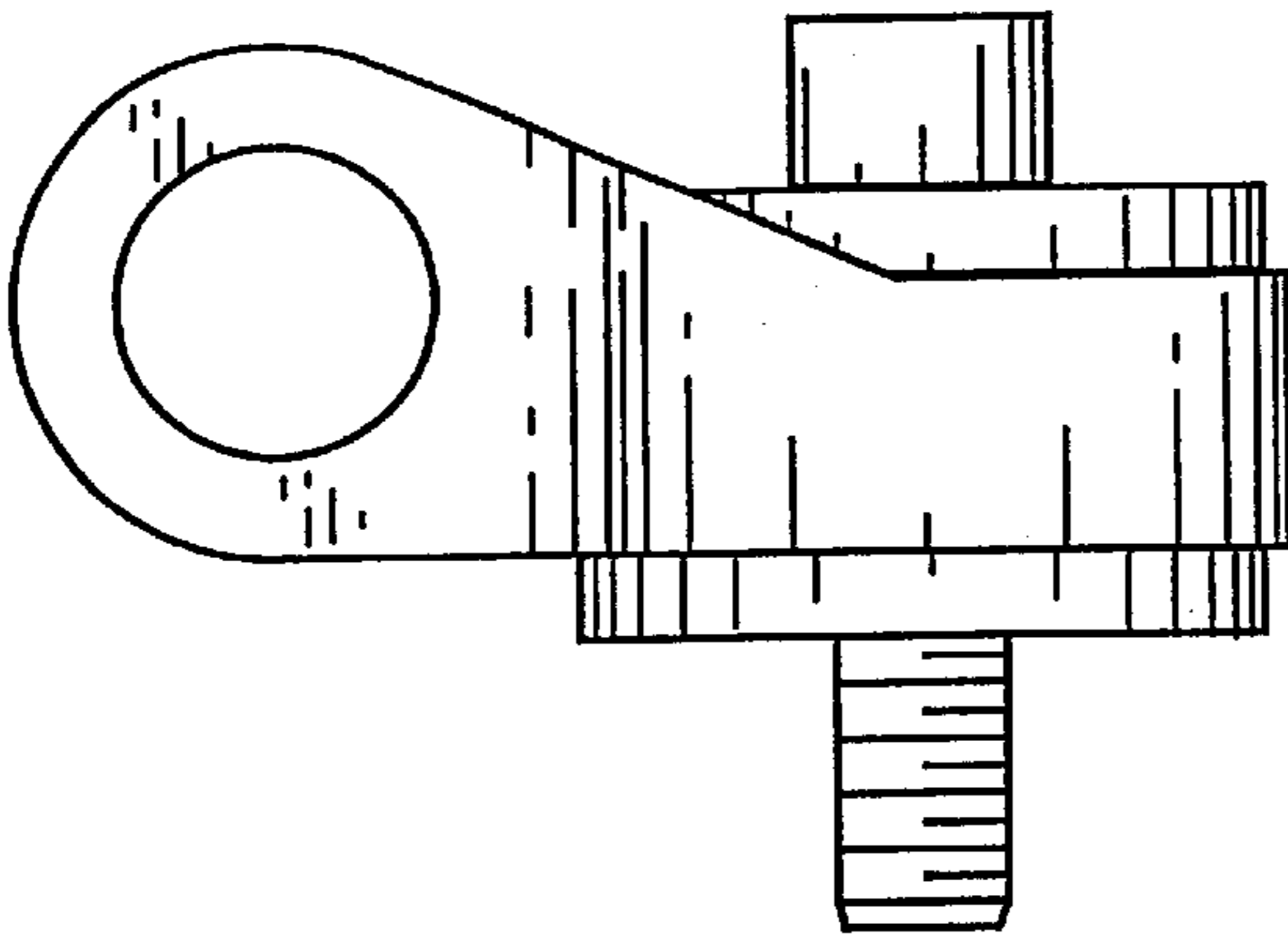


FIG. 4

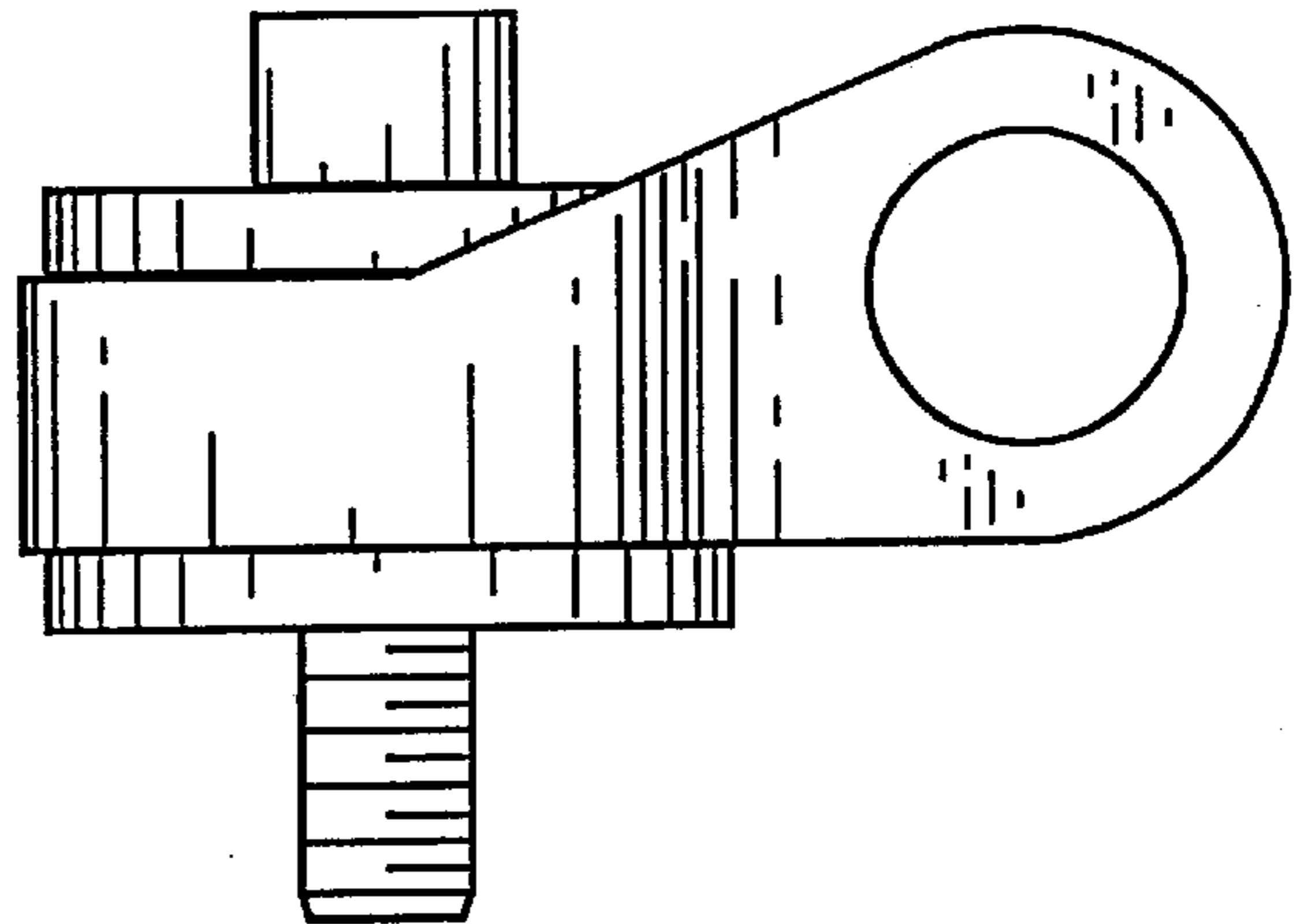


FIG. 5

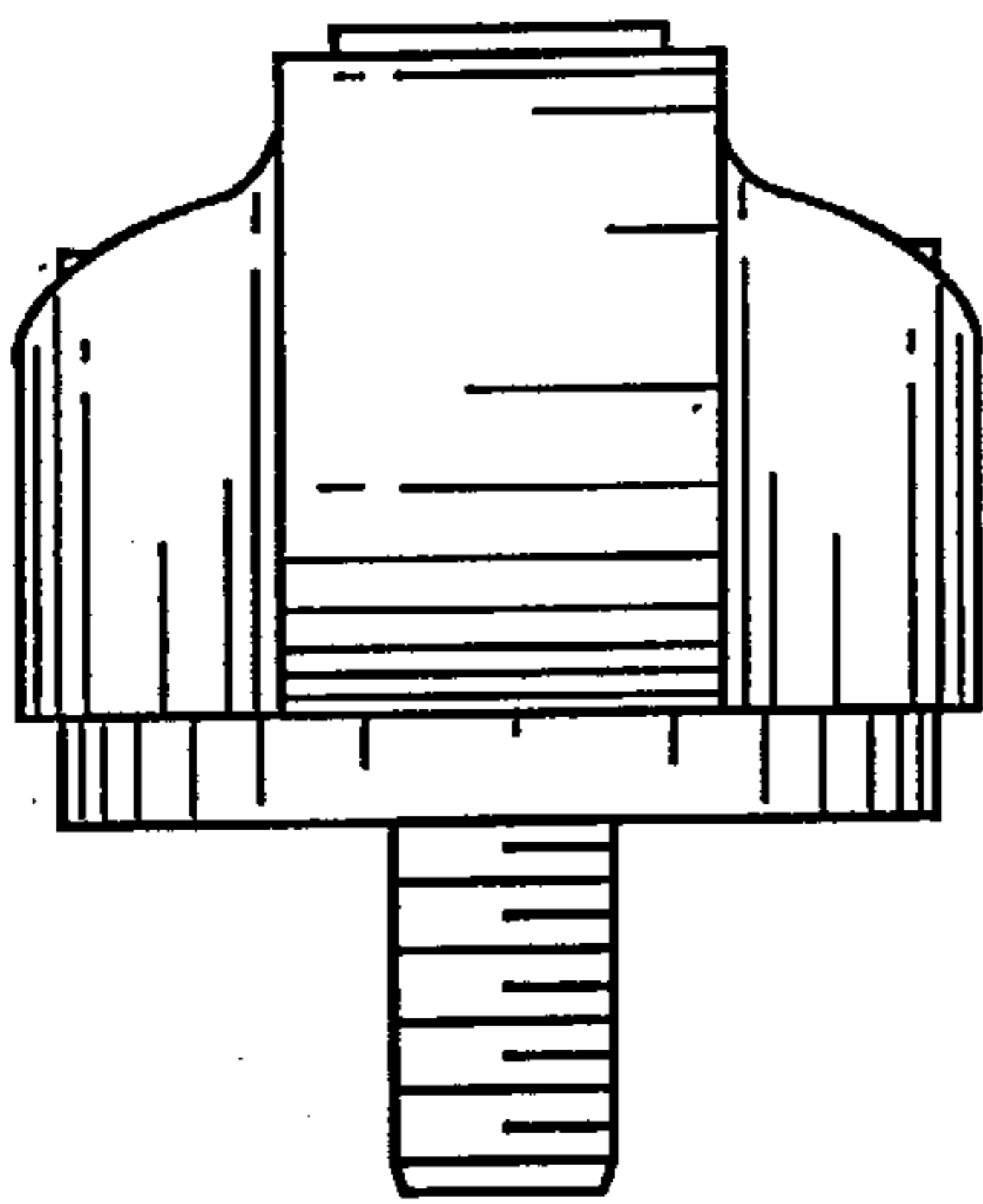


FIG. 6

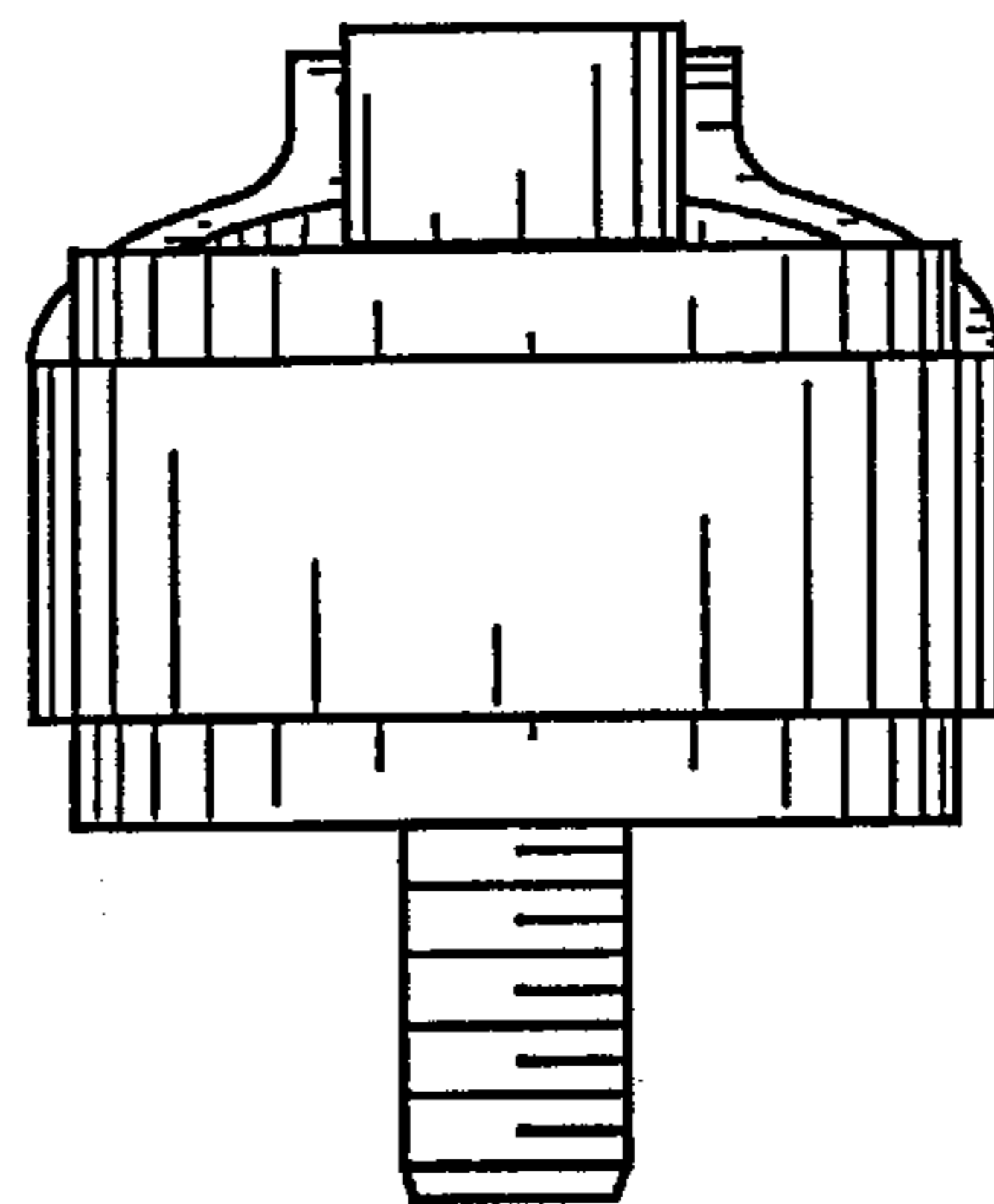


FIG. 7

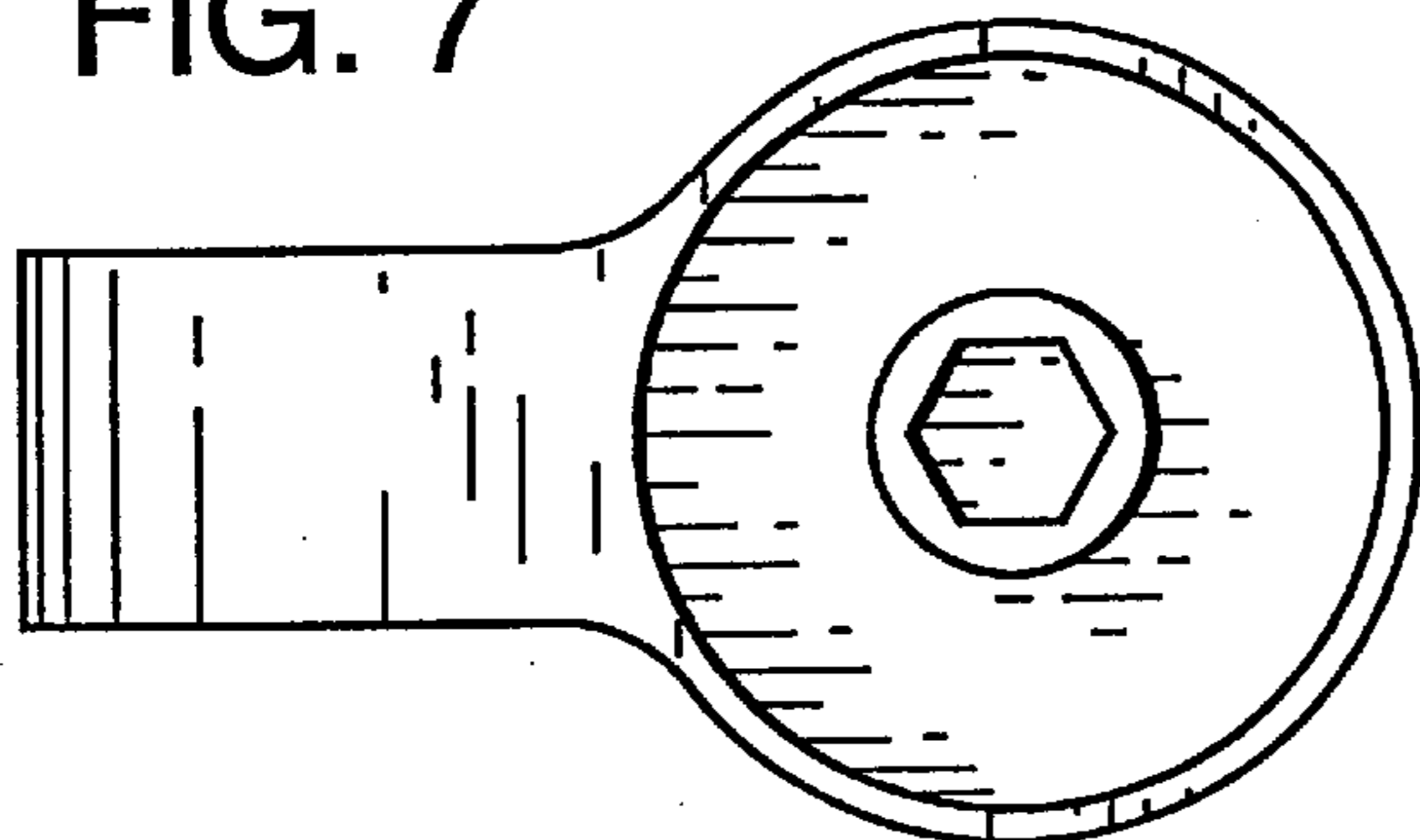


FIG. 8

