



US00D453101S

(12) **United States Design Patent**
Shiao

(10) **Patent No.:** **US D453,101 S**

(45) **Date of Patent:** **** Jan. 29, 2002**

(54) **DOOR BOLT RETAINING PLATE**

(76) Inventor: **Hsuan-Sen Shiao**, No. 15-1, Lane 369,
Min-Chuan Rd., Taichung City (TW)

(**) Term: **14 Years**

(21) Appl. No.: **29/113,981**

(22) Filed: **Nov. 16, 1999**

(51) **LOC (7) Cl.** **08-07**

(52) **U.S. Cl.** **D8/344**

(58) **Field of Search** 292/340, 346,
292/146; 70/131, 168, 172, 450; D8/343,
344

(56) **References Cited**

U.S. PATENT DOCUMENTS

963,450 A *	7/1910	Lowe	70/450 X
2,996,326 A *	8/1961	Schlage	70/450 X
6,094,869 A *	8/2000	Magoon et al.	70/450 X

OTHER PUBLICATIONS

Item No. 15751E, Corbin Lock Catalog 206, Jun. 1983, p.
24.*

* cited by examiner

Primary Examiner—Susan J. Lucas

Assistant Examiner—Jennifer Rivard

(74) *Attorney, Agent, or Firm*—Sheridan Ross P.C.

(57) **CLAIM**

The ornamental design for door bolt retaining plate, as shown and described.

DESCRIPTION

FIG. 1 is a perspective view of door bolt retaining plate showing my new design;

FIG. 2 is a front elevational view thereof;

FIG. 3 is a rear elevational view thereof;

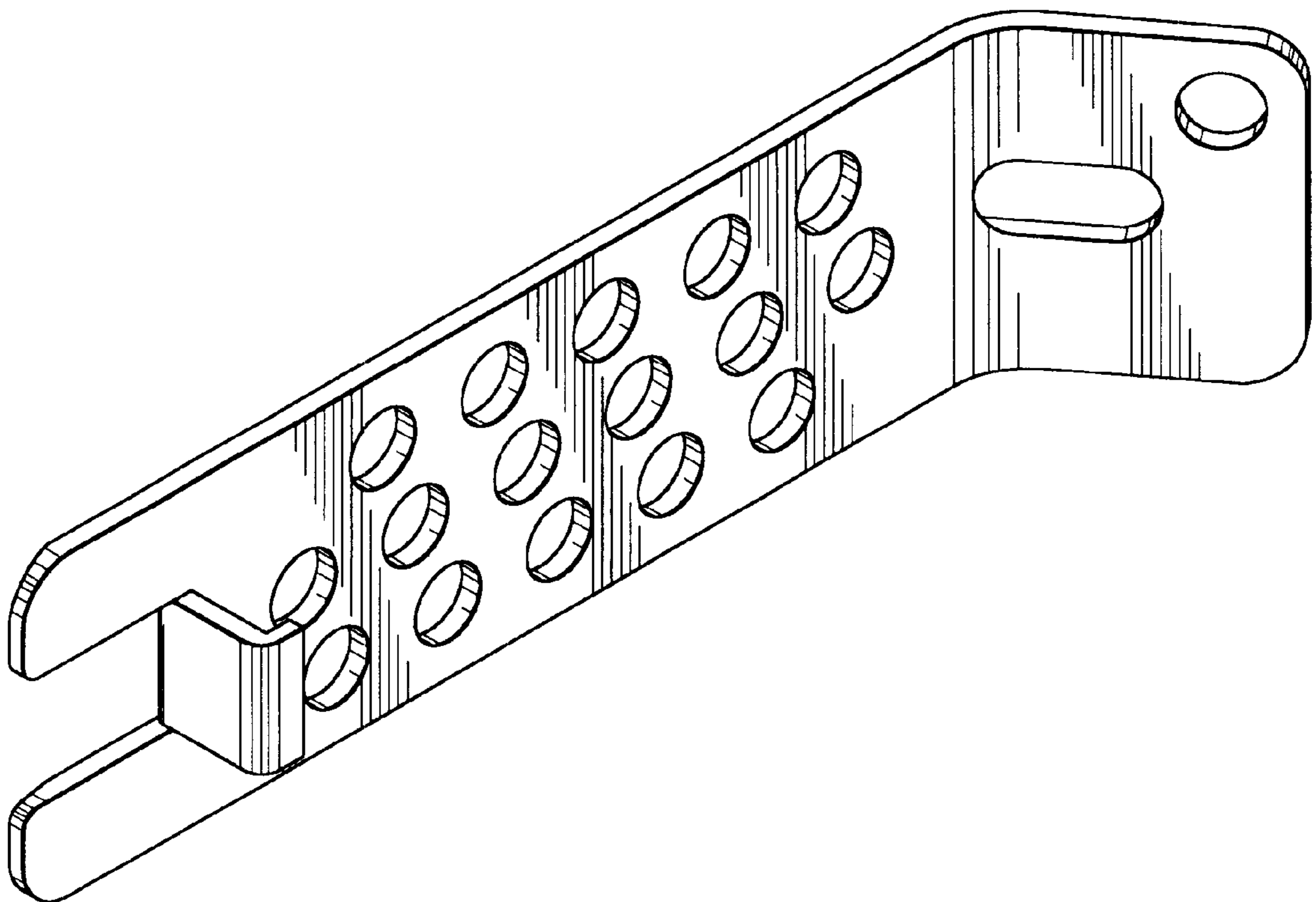
FIG. 4 is a left side elevational view thereof;

FIG. 5 is a right side elevational view thereof;

FIG. 6 is a top plan view thereof; and,

FIG. 7 is a bottom plan view thereof.

1 Claim, 4 Drawing Sheets



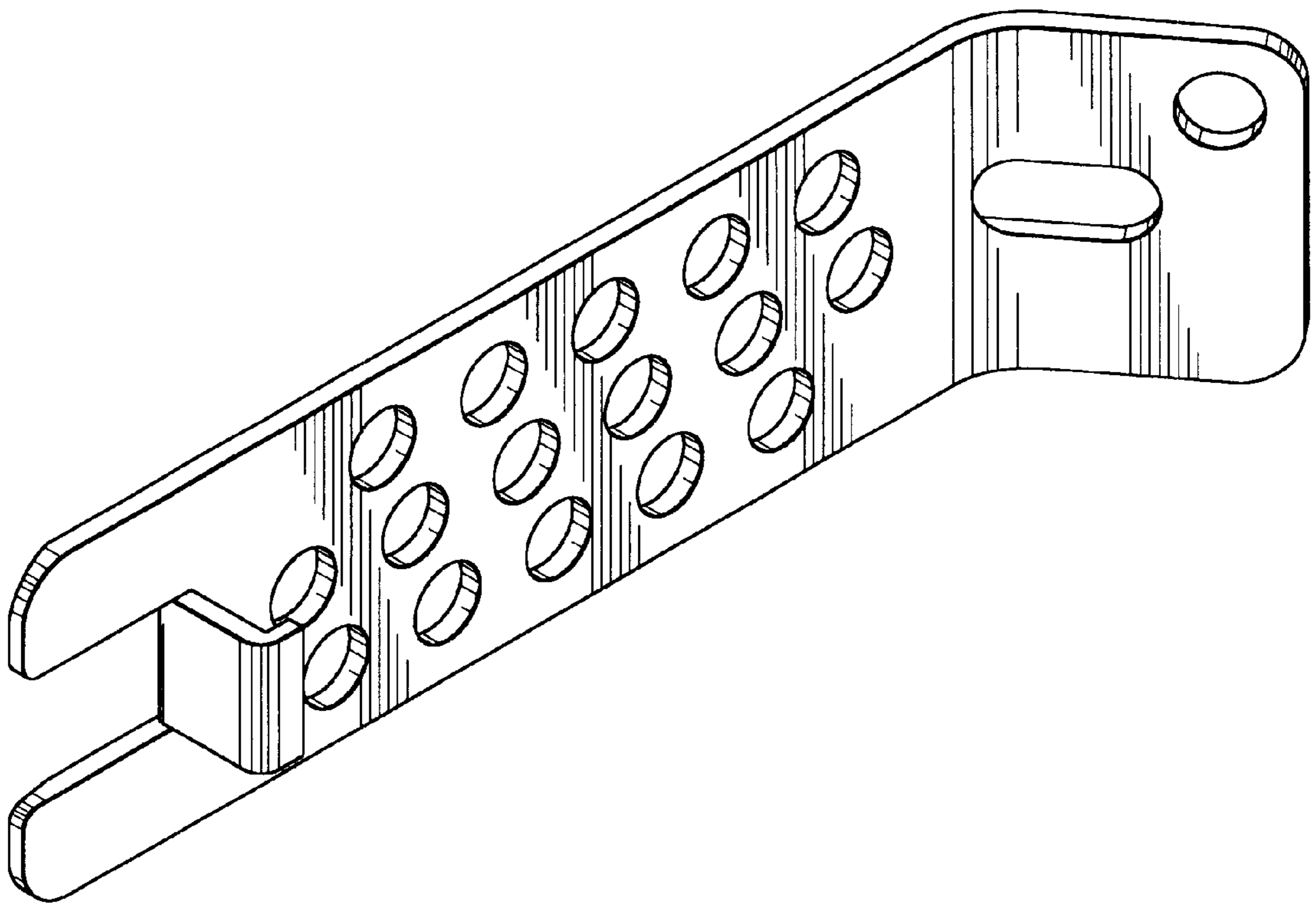


FIG. 1

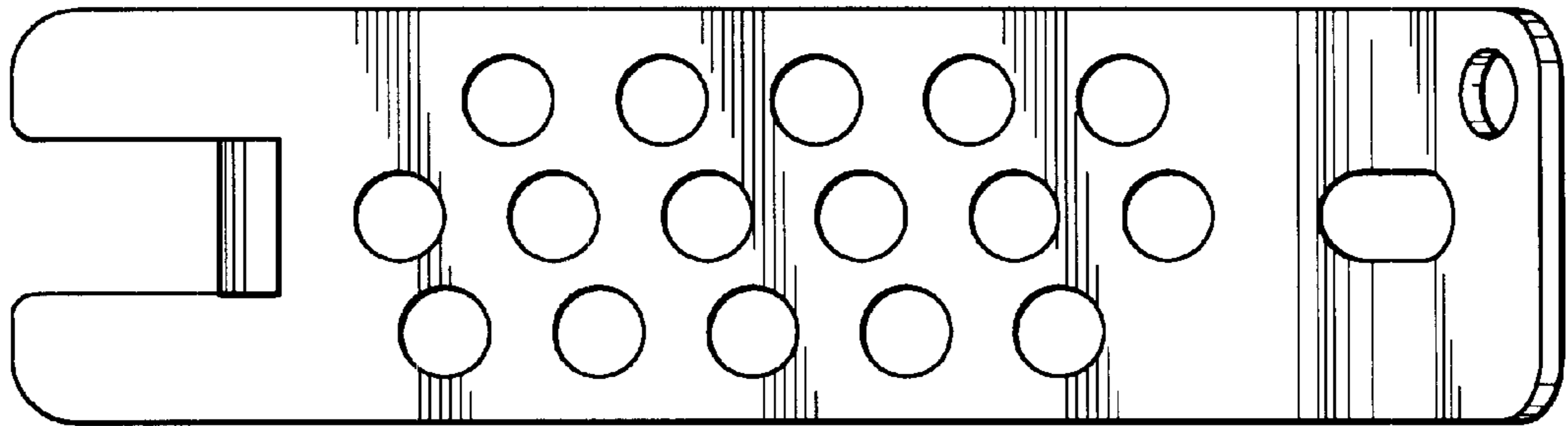


FIG. 2

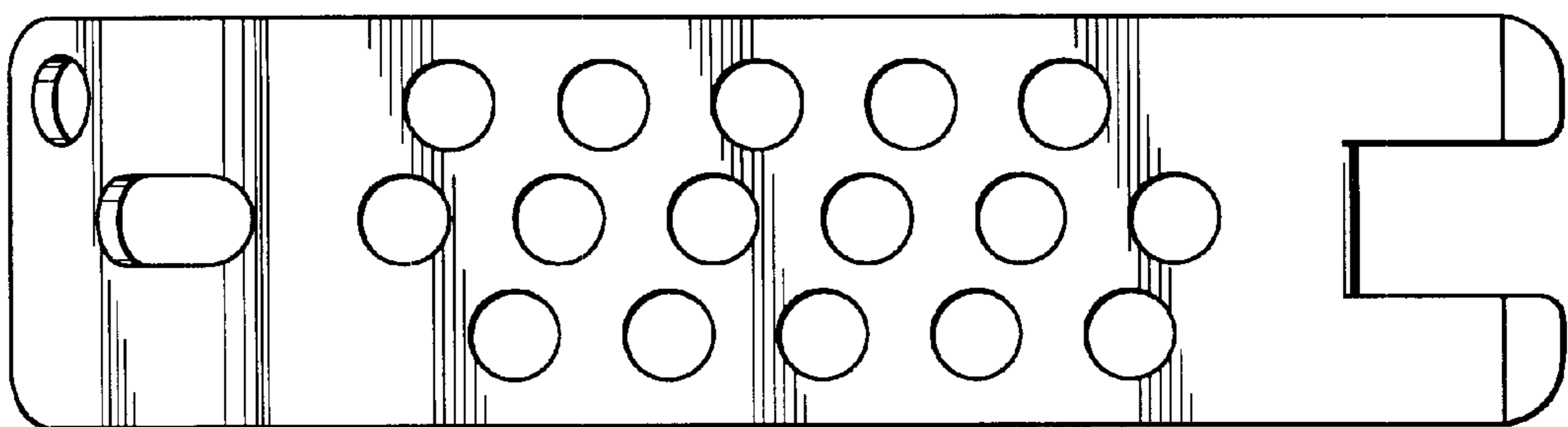


FIG. 3

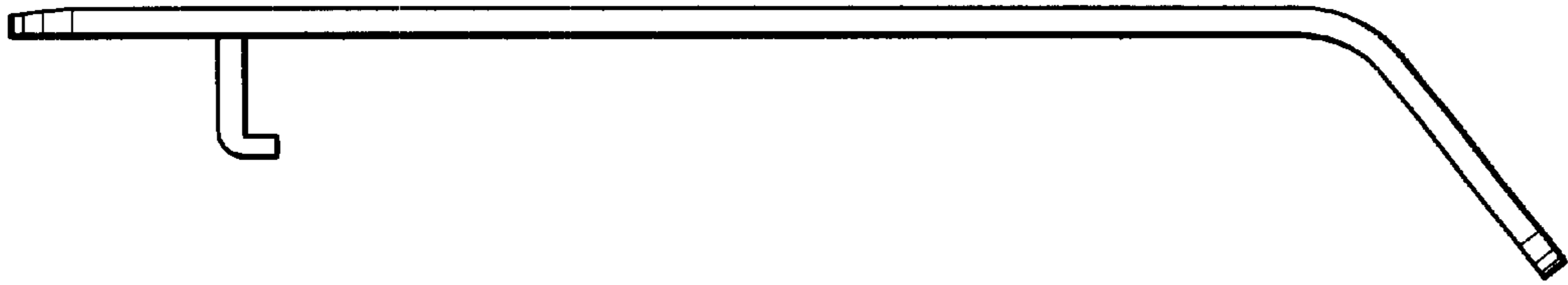


FIG. 4

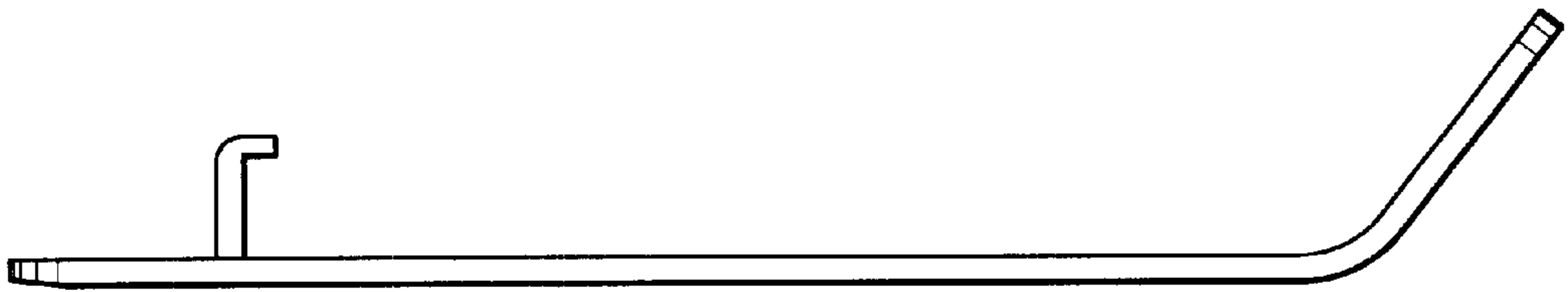


FIG. 5

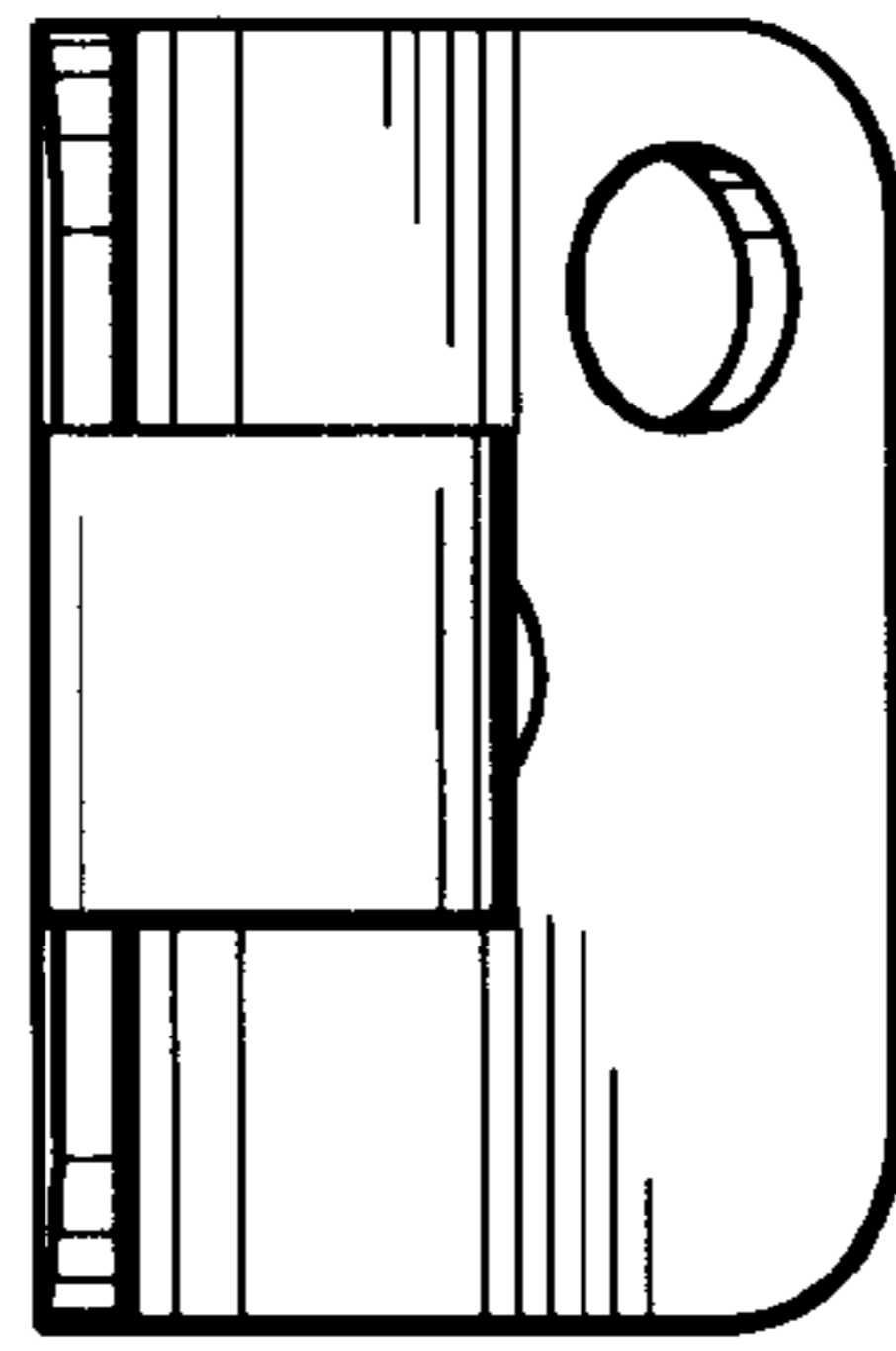


FIG. 6

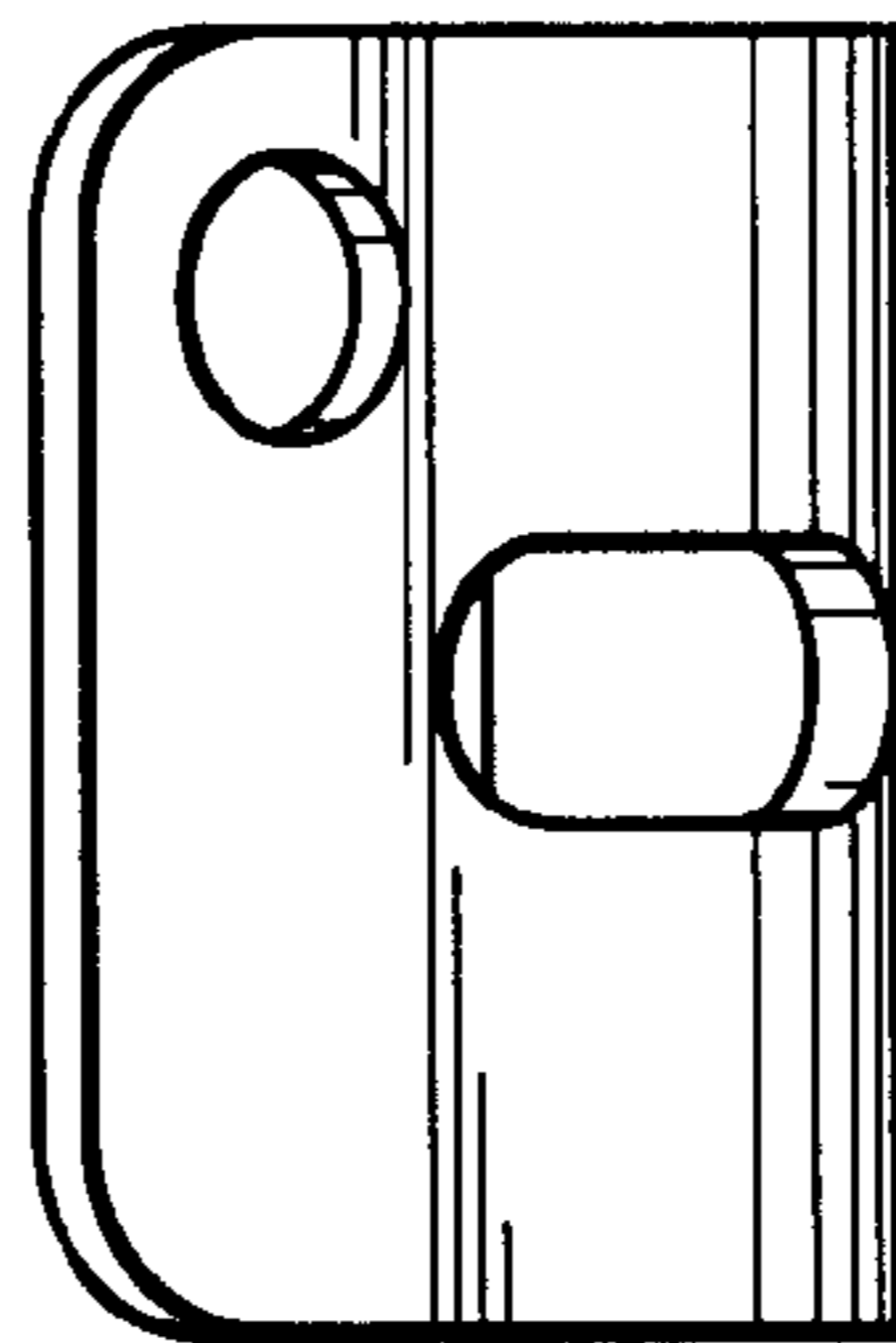


FIG. 7