



US00D453099S

(12) **United States Design Patent**  
**Welsh**

(10) **Patent No.:** **US D453,099 S**

(45) **Date of Patent:** **\*\* Jan. 29, 2002**

- (54) **CIRCULAR SAW**
- (75) Inventor: **Robert P. Welsh**, Hunt Valley, MD  
(US)
- (73) Assignee: **Black & Decker Inc.**, Newark, DE  
(US)
- (\*\*) Term: **14 Years**
- (21) Appl. No.: **29/144,407**
- (22) Filed: **Jul. 2, 2001**
- (51) **LOC (7) Cl.** ..... **08-03**
- (52) **U.S. Cl.** ..... **D8/66**
- (58) **Field of Search** ..... D8/61, 62, 63,  
D8/64, 66, 67, 68, 69; 30/166.3, 370, 374,  
375, 376, 377, 388, 389, 390, 391; 144/218

D334,523 S	4/1993	Hoshino et al.	.....	D8/66
D370,162 S	5/1996	Brazell et al.	.....	D8/66
D378,488 S	3/1997	Ito et al.	.....	D8/66
D390,081 S	2/1998	Price et al.	.....	D8/66
D400,772 S	11/1998	Gallagher et al.	.....	D8/66
D408,248 S	* 4/1999	Zurwelle et al.	.....	D8/66
D426,759 S	6/2000	Zurwelle et al.	.....	D8/66
6,108,916 A	8/2000	Zeiler et al.	.....	30/391
D433,300 S	* 11/2000	Buck	.....	D8/66
D439,483 S	* 3/2001	Zurwelle et al.	.....	D8/66
6,202,311 B1	* 3/2001	Nickels, Jr.	.....	30/376

\* cited by examiner

*Primary Examiner*—Doris V. Coles

*Assistant Examiner*—Elizabeth A. Albert

(74) *Attorney, Agent, or Firm*—Michael P. Leary; Bruce S. Shapiro

(57) **CLAIM**

The ornamental design for a circular saw, as shown and described.

(56) **References Cited**

**U.S. PATENT DOCUMENTS**

2,346,961 A	4/1944	Gundelfinger et al.	
D259,235 S	5/1981	Dibbern, Jr. et al.	..... D8/66
D262,772 S	1/1982	Glass et al.	..... D8/66
D281,663 S	12/1985	Tsuru et al.	..... D8/66
D313,155 S	12/1990	Somers	..... D8/66
D315,854 S	* 4/1991	Kawakami et al.	..... D8/68
5,010,651 A	* 4/1991	Techter et al.	..... 30/376
D320,729 S	10/1991	Zurwelle	..... D8/66
D326,399 S	5/1992	Fushiya et al.	..... D8/66
D327,828 S	7/1992	Hoshino et al.	..... D8/66
D329,363 S	9/1992	Sasaki et al.	..... D8/66

**DESCRIPTION**

FIG. 1 is a front perspective view of a circular saw showing our my design.

FIG. 2 is a right side elevational view thereof.

FIG. 3 is a left side elevational view thereof.

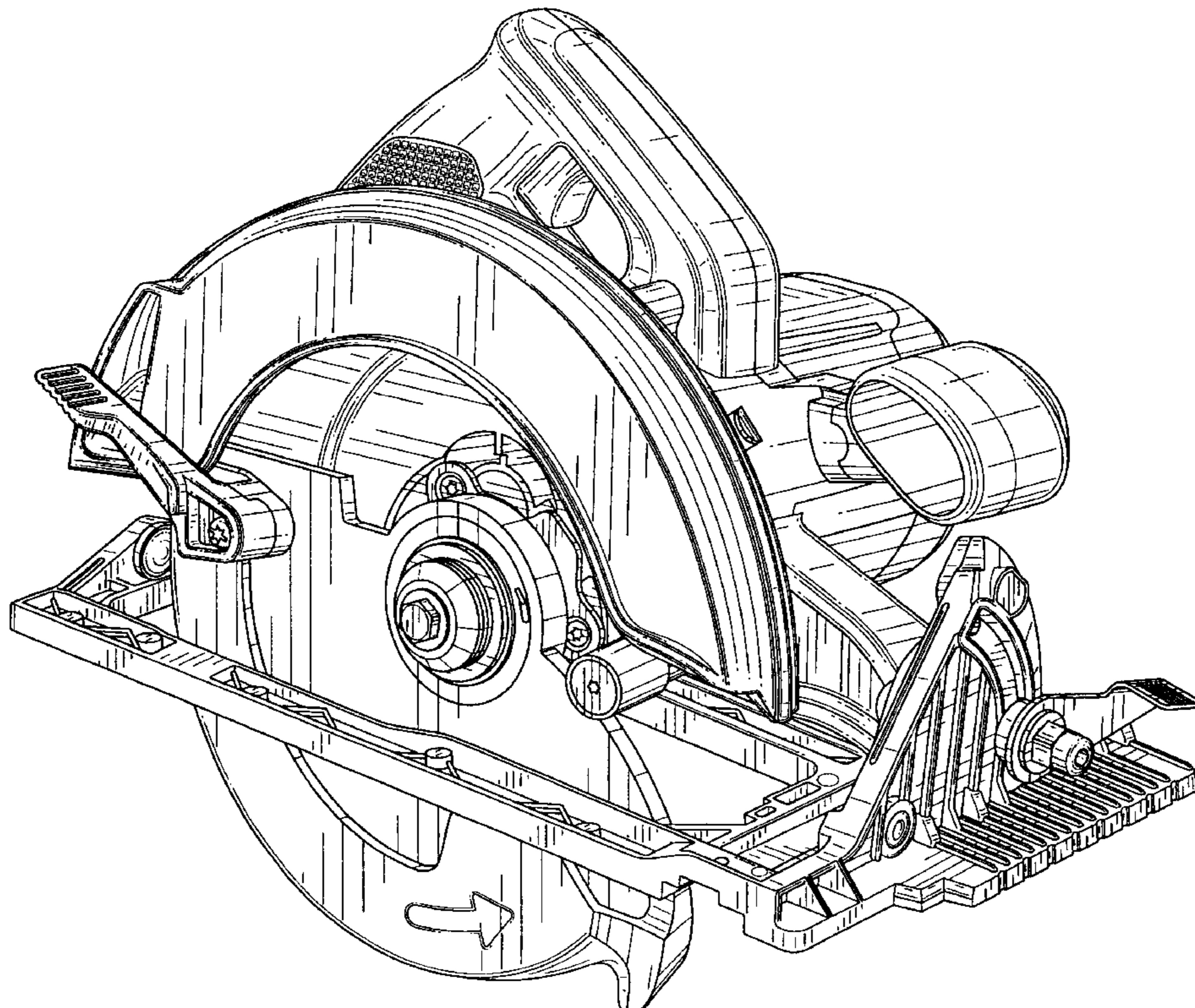
FIG. 4 is a rear elevational view thereof.

FIG. 5 is a front elevational view thereof.

FIG. 6 is a bottom plan view thereof; and,

FIG. 7 is a top plan view thereof.

**1 Claim, 7 Drawing Sheets**



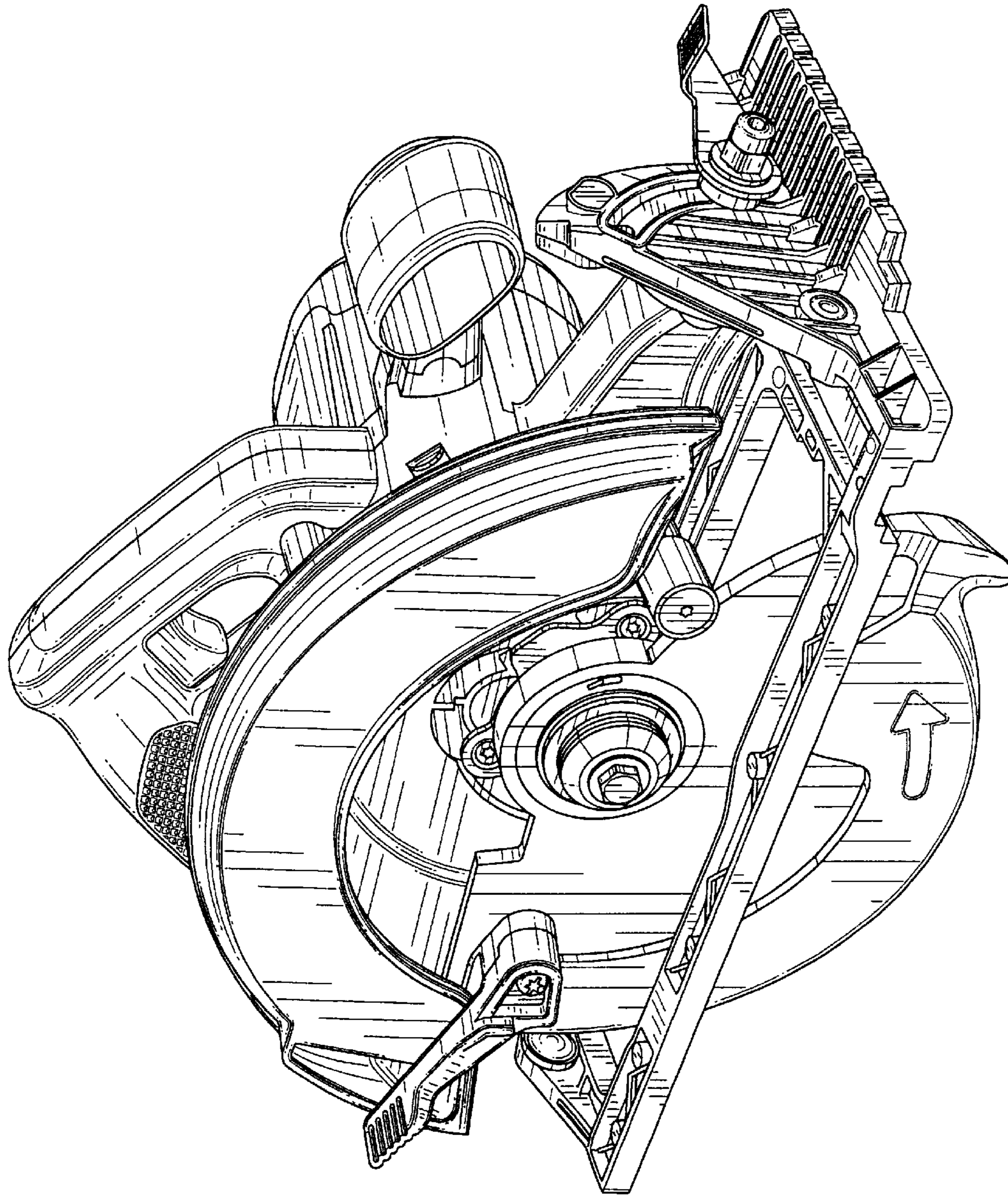


FIG. 1

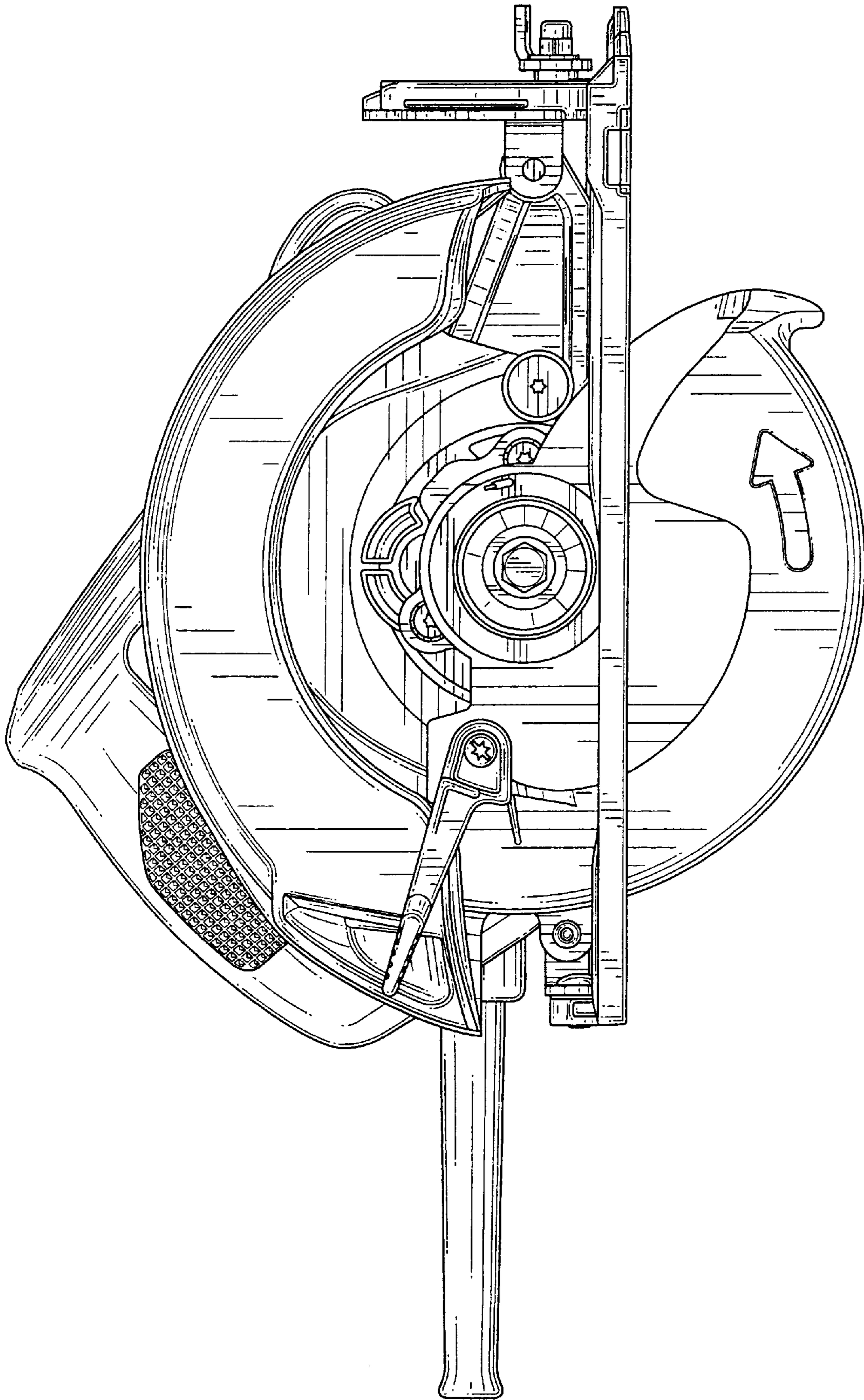


FIG. 2

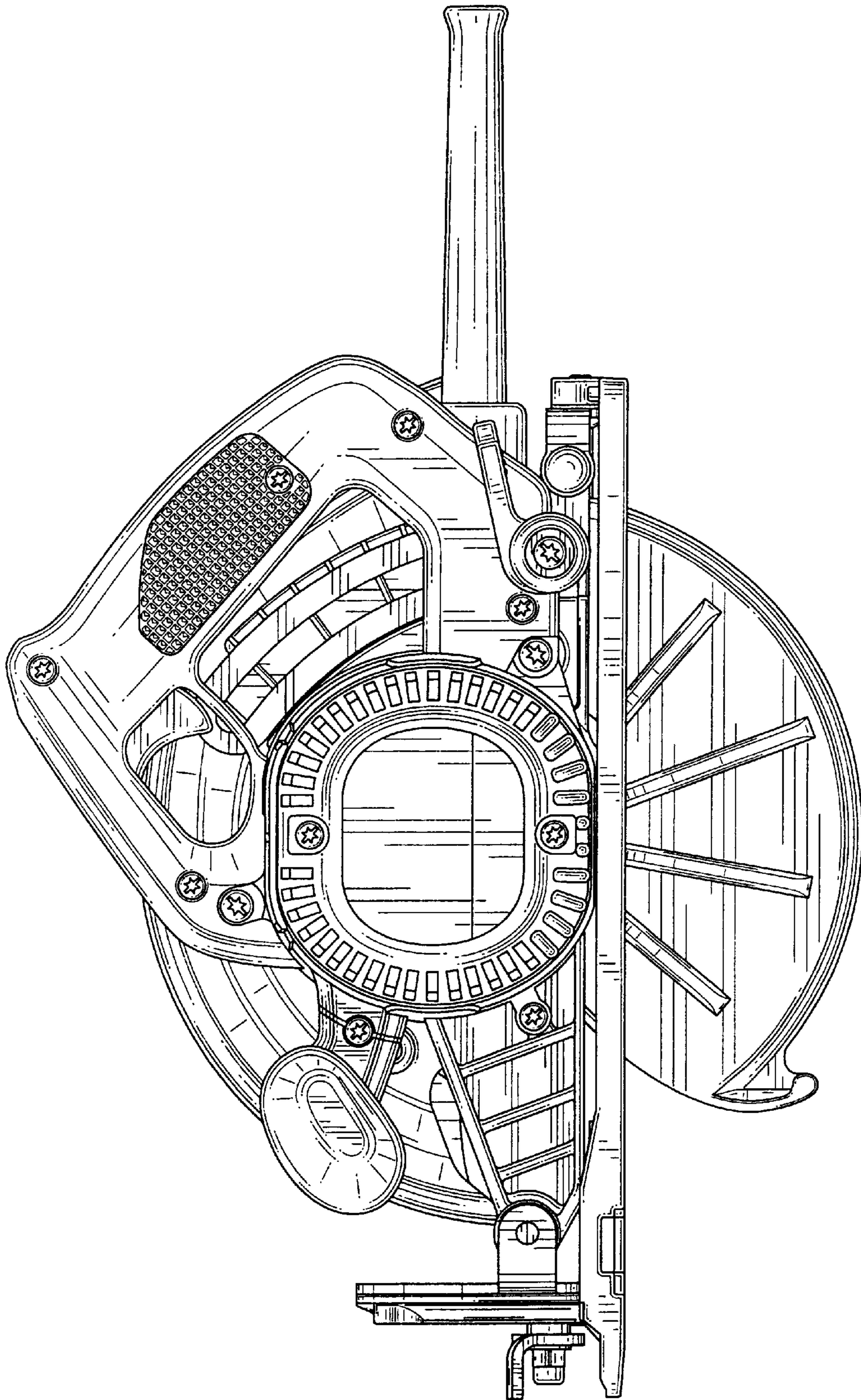


FIG. 3

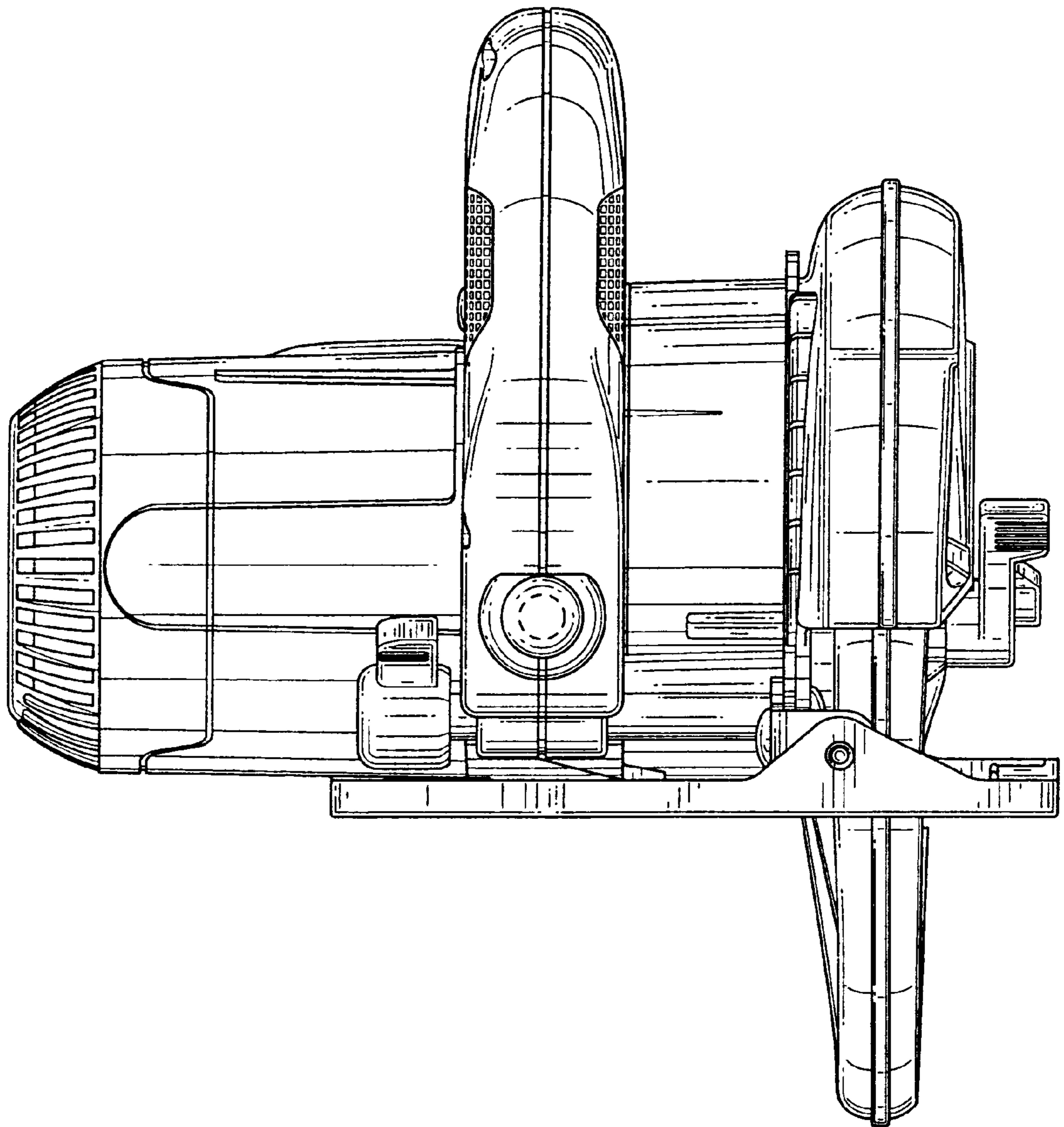


FIG. 4

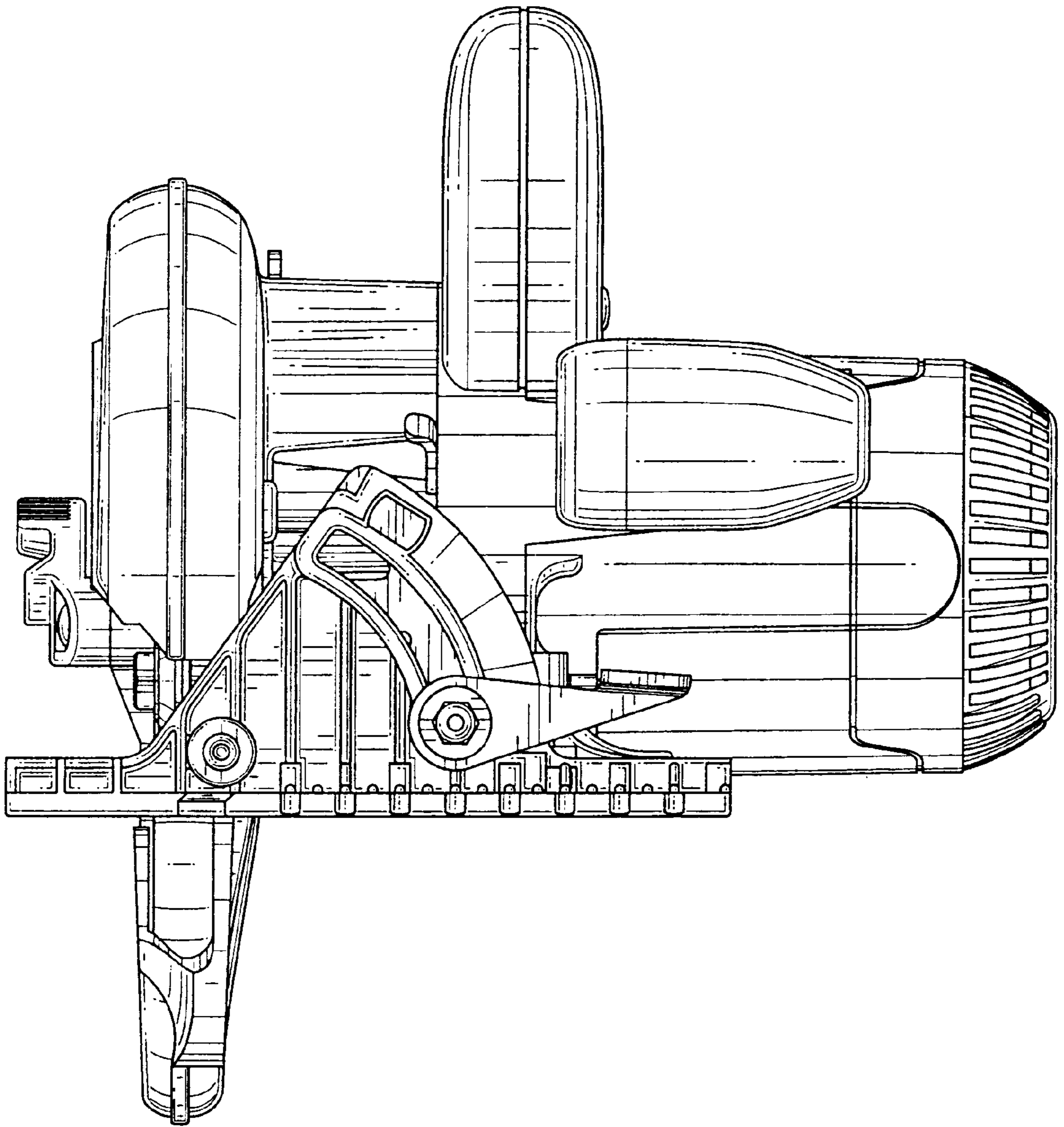


FIG. 5

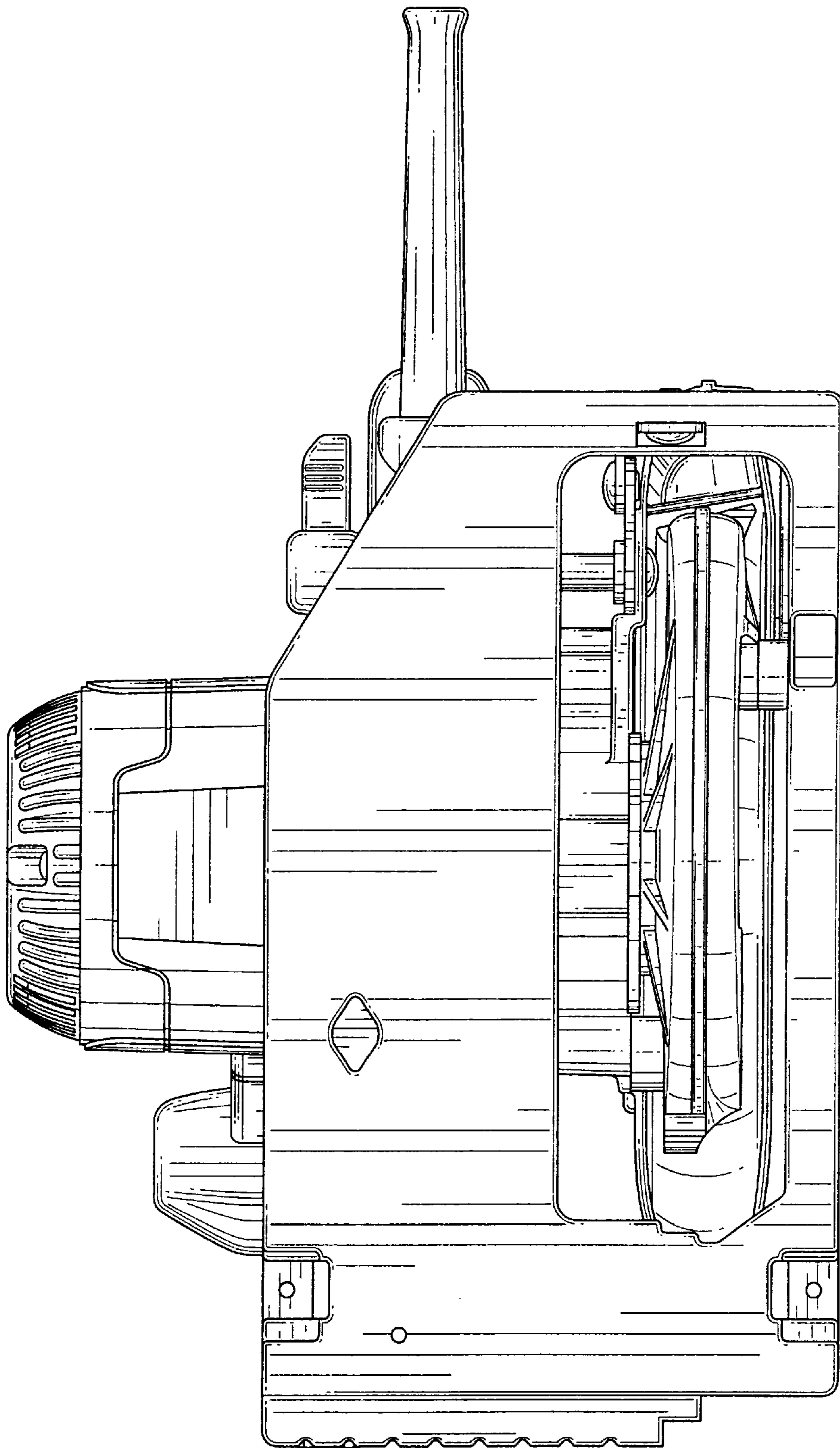


FIG. 6

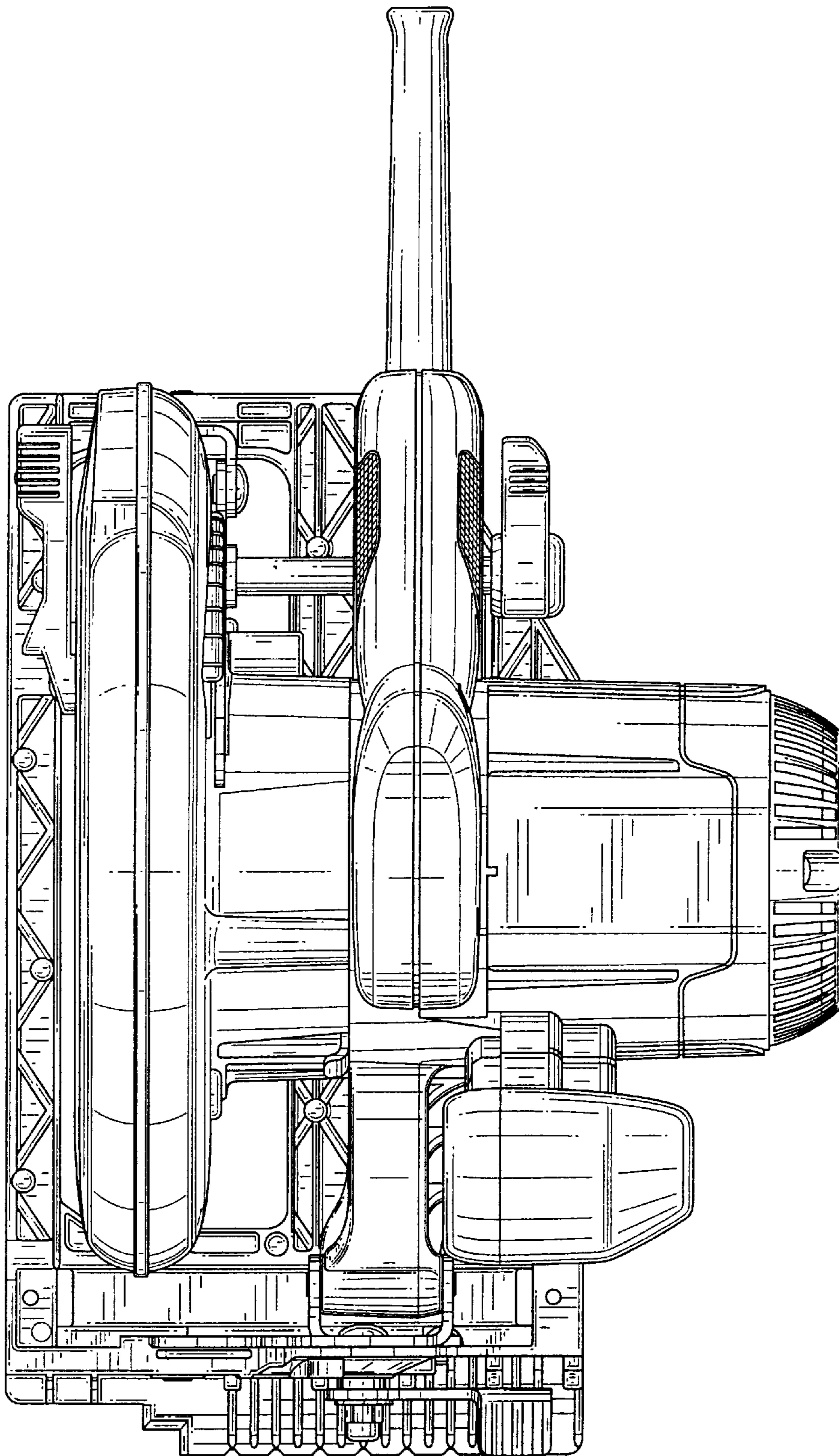


FIG. 7