



US00D453098S

(12) **United States Design Patent**
Pretzell

(10) **Patent No.:** **US D453,098 S**

(45) **Date of Patent:** **** Jan. 29, 2002**

(54) **ANGLE GRINDER**

(75) **Inventor:** **Peter Pretzell**, Bochum (DE)

(73) **Assignee:** **Lidl Stiftung & Co KG** (DE)

(**) **Term:** **14 Years**

(21) **Appl. No.:** **29/126,532**

(22) **Filed:** **Jul. 14, 2000**

(51) **LOC (7) Cl.** **08-01**

(52) **U.S. Cl.** **D8/62**

(58) **Field of Search** D8/61-70; 81/57.11,
81/54, 57.42; 173/170, 217, 169, 216, 213,
164; 451/357-359, 344; 310/50

(56) **References Cited**

U.S. PATENT DOCUMENTS

D255,417 S	*	6/1980	Sakamoto et al.	D8/62
D295,824 S	*	5/1988	Hoshino et al.	D8/62
D301,830 S	*	6/1989	Ogawa et al.	D8/62
D305,399 S	*	1/1990	Fushiya et al.	D8/62
D324,632 S	*	3/1992	Nose et al.	D8/61
D328,841 S	*	8/1992	Fushiya et al.	D8/62
D332,559 S	*	1/1993	Miyoshi et al.	D8/62
5,207,028 A	*	5/1993	Timmons	451/359 X
D347,153 S	*	5/1994	Uneyama	D8/62
D351,772 S	*	10/1994	Price	D8/62
D378,183 S	*	2/1997	Dognini	D8/62
D386,378 S	*	11/1997	Henssler et al.	D8/62

D394,594 S	*	5/1998	Chung	D8/62
D396,175 S	*	7/1998	Chung	D8/62
D402,870 S	*	12/1998	Etter et al.	D8/62
D408,244 S	*	4/1999	Price	D8/62
D423,898 S	*	5/2000	Kelley	D8/64
6,120,362 A	*	9/2000	Etter et al.	451/354
D433,906 S	*	11/2000	Heun	D8/62
D437,199 S	*	2/2001	Robson	D8/62
D438,077 S	*	2/2001	Schmid	D8/61

OTHER PUBLICATIONS

DeWalt Catalog 1995, p. 48, item DW 400.*

* cited by examiner

Primary Examiner—Jeffrey Asch

(74) *Attorney, Agent, or Firm*—Morgan & Finnegan, LLP

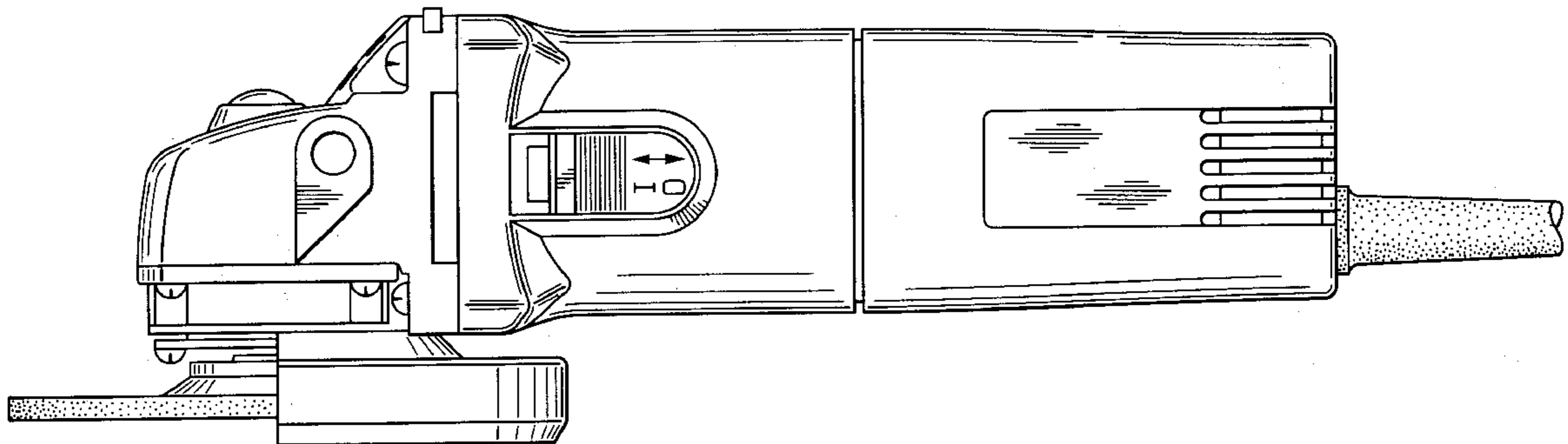
(57) **CLAIM**

The ornamental design for angle grinder, as shown and described.

DESCRIPTION

FIG. 1 is a top view thereof;
FIG. 2 is a bottom view thereof;
FIG. 3 is a left view thereof;
FIG. 4 is a right view thereof;
FIG. 5 is a front view thereof; and,
FIG. 6 is a rear view thereof.

1 Claim, 5 Drawing Sheets



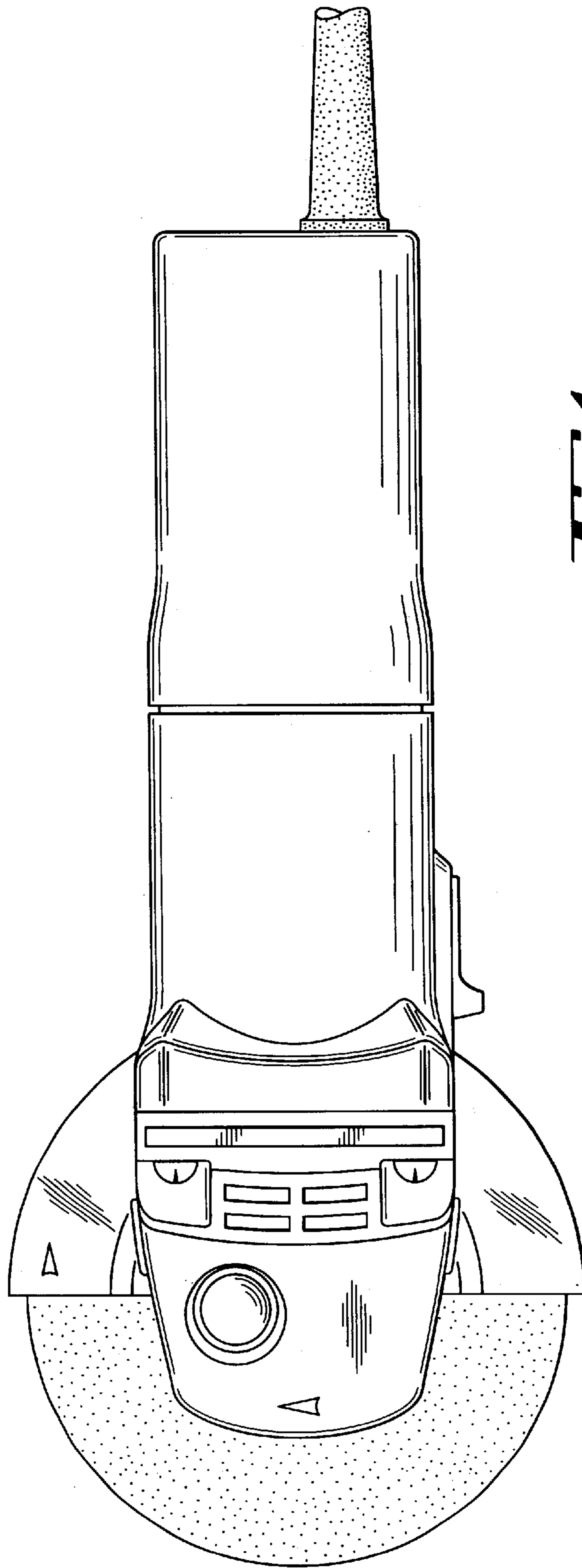


FIG. 1

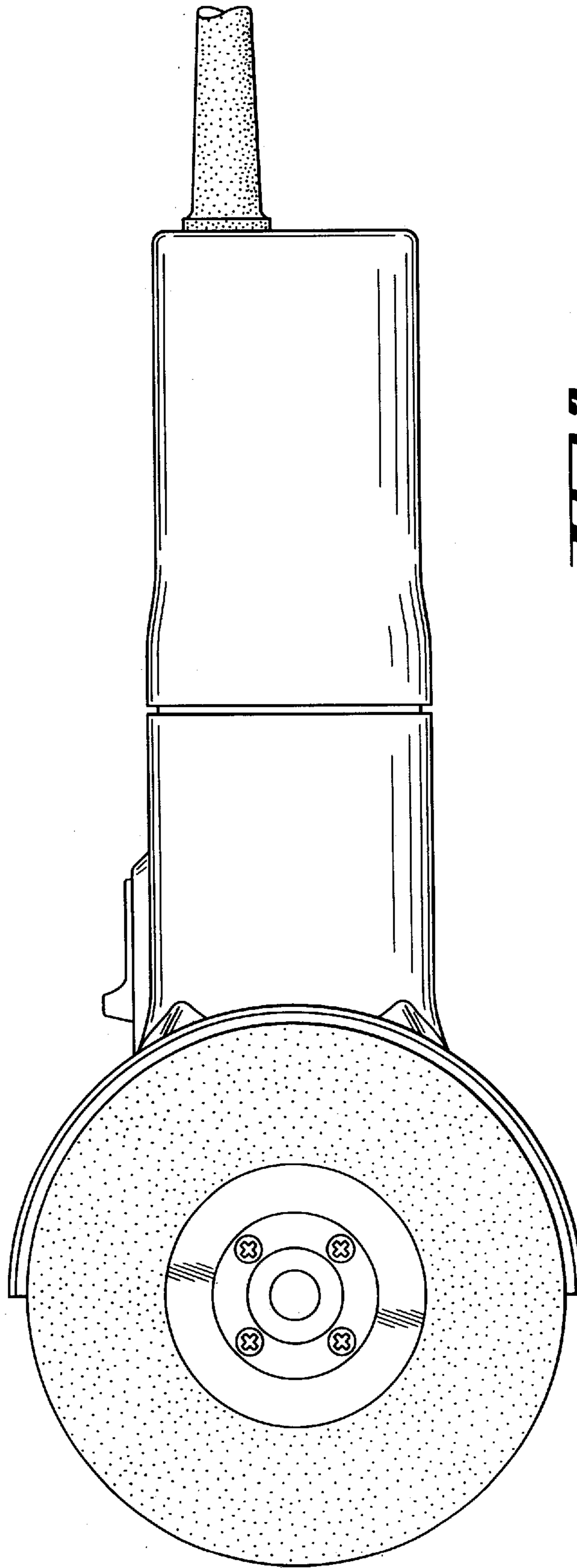


FIG. 2

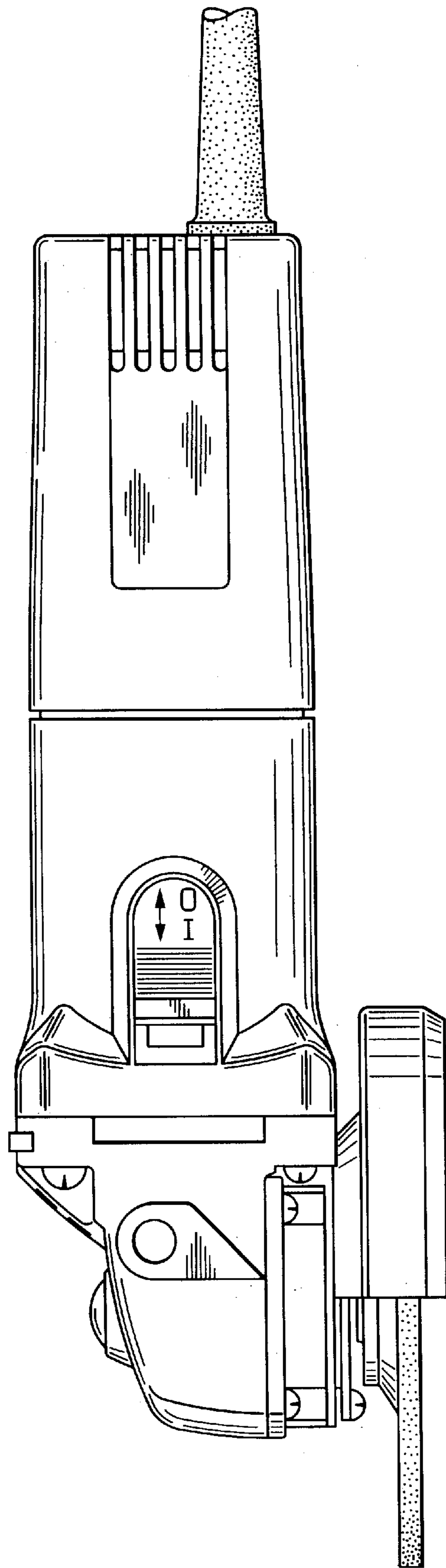


FIG. 3

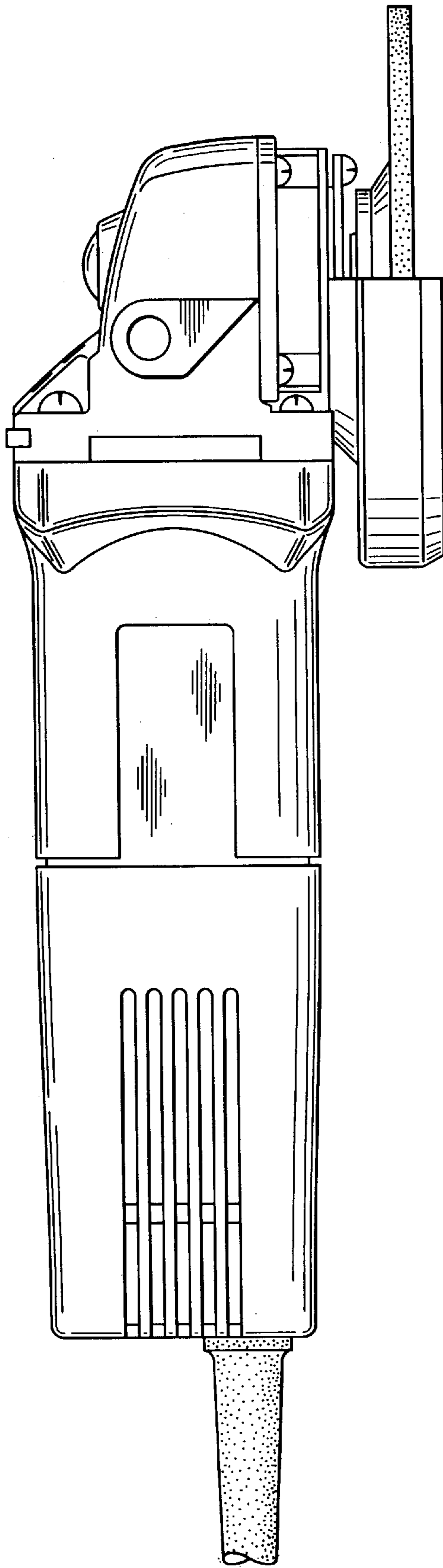


Fig. 4

Fig. 5

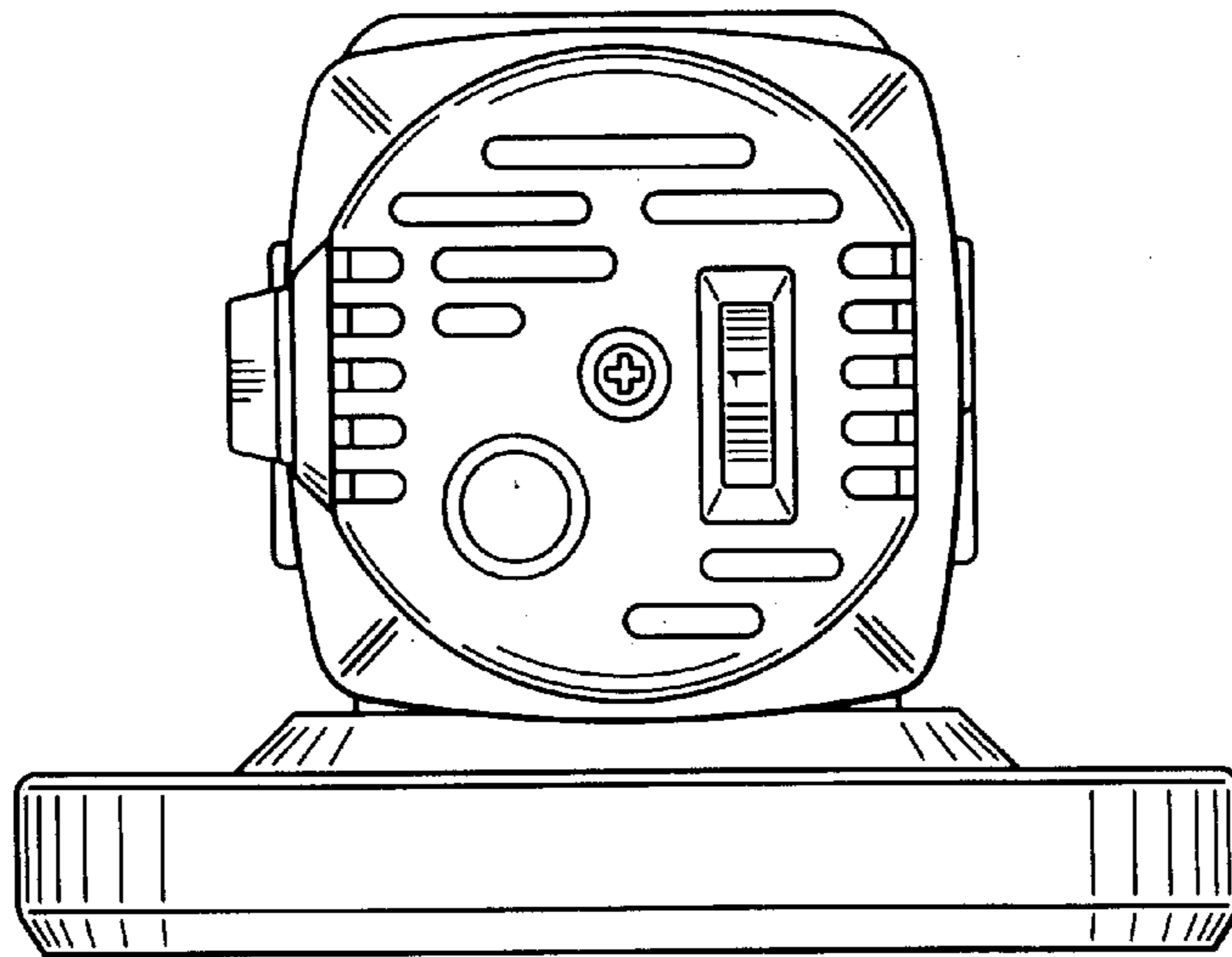
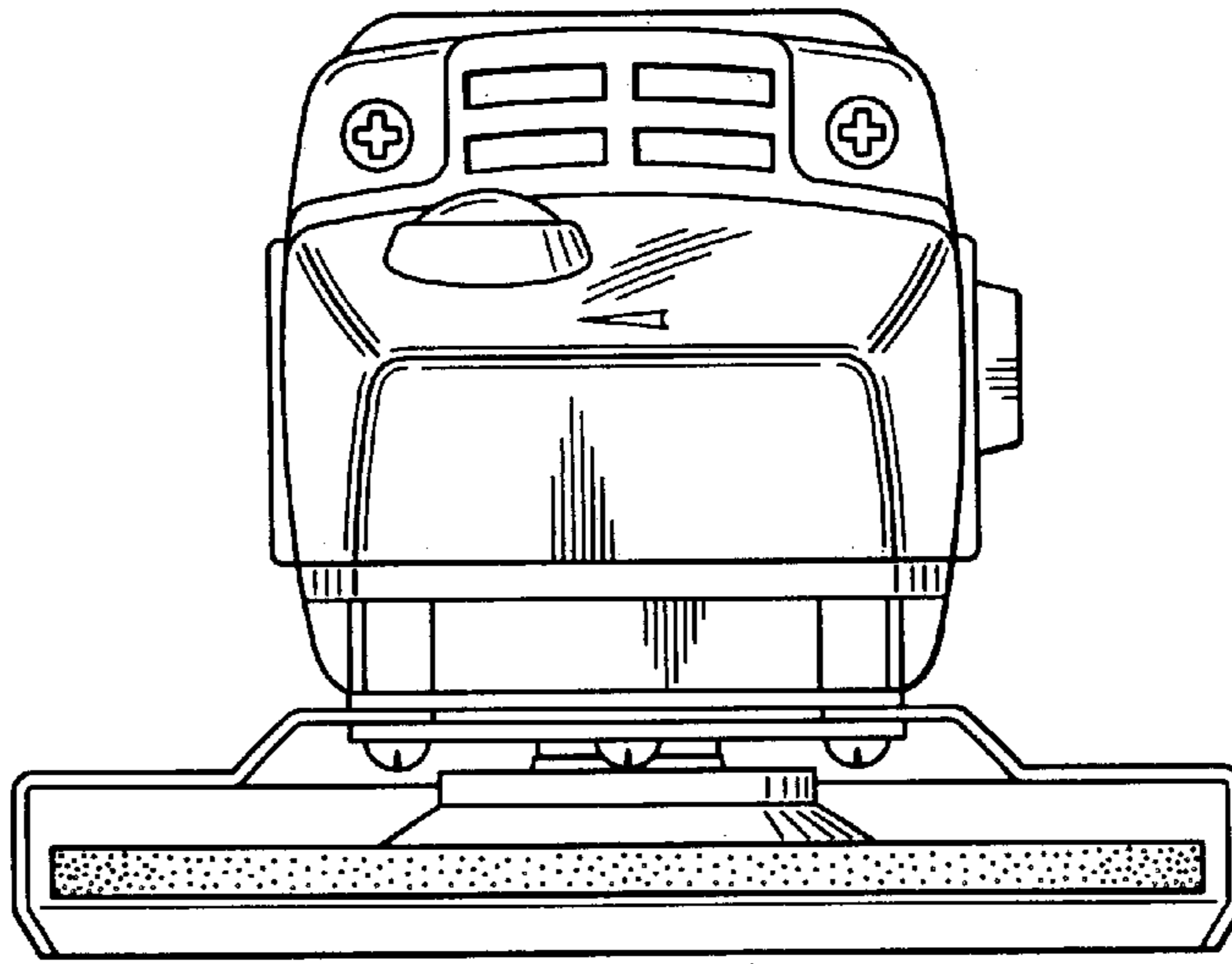


Fig. 6