



US00D453090S

(12) **United States Design Patent**  
**Chen**

(10) **Patent No.:** **US D453,090 S**

(45) **Date of Patent:** **\*\* Jan. 29, 2002**

(54) **ROASTER OVEN**

(76) Inventor: **Ying-Fu Chen**, No. 13, Kai Fa 2nd Road, Jen Teh Hsiang, Tainan Hsien (TW)

(\*\*) Term: **14 Years**

(21) Appl. No.: **29/142,891**

(22) Filed: **Jun. 4, 2001**

(51) **LOC (7) Cl.** ..... **07-02**

(52) **U.S. Cl.** ..... **D7/350.4**

(58) **Field of Search** ..... D7/350.1, 350.2, D7/350.3, 350.4, 351, 402, 405-406; 126/273 A, 275 R, 275 E, 19 M, 21 R; 219/678, 756-758; 99/DIG. 14, 421 R, 341, 350, 340, 421 H, 448

(56) **References Cited**

**U.S. PATENT DOCUMENTS**

- D380,643 S \* 7/1997 Piret ..... D7/350
- D412,637 S \* 8/1999 Piret ..... D7/350
- D415,926 S \* 11/1999 De'Longhi ..... D7/350

- D420,245 S \* 2/2000 De'Longhi ..... D7/351
- 6,257,128 B1 \* 7/2001 Chen ..... 99/421 H
- D447,905 S \* 9/2001 Smith-Berry et al. .... D7/350

\* cited by examiner

*Primary Examiner*—Ruth McInroy

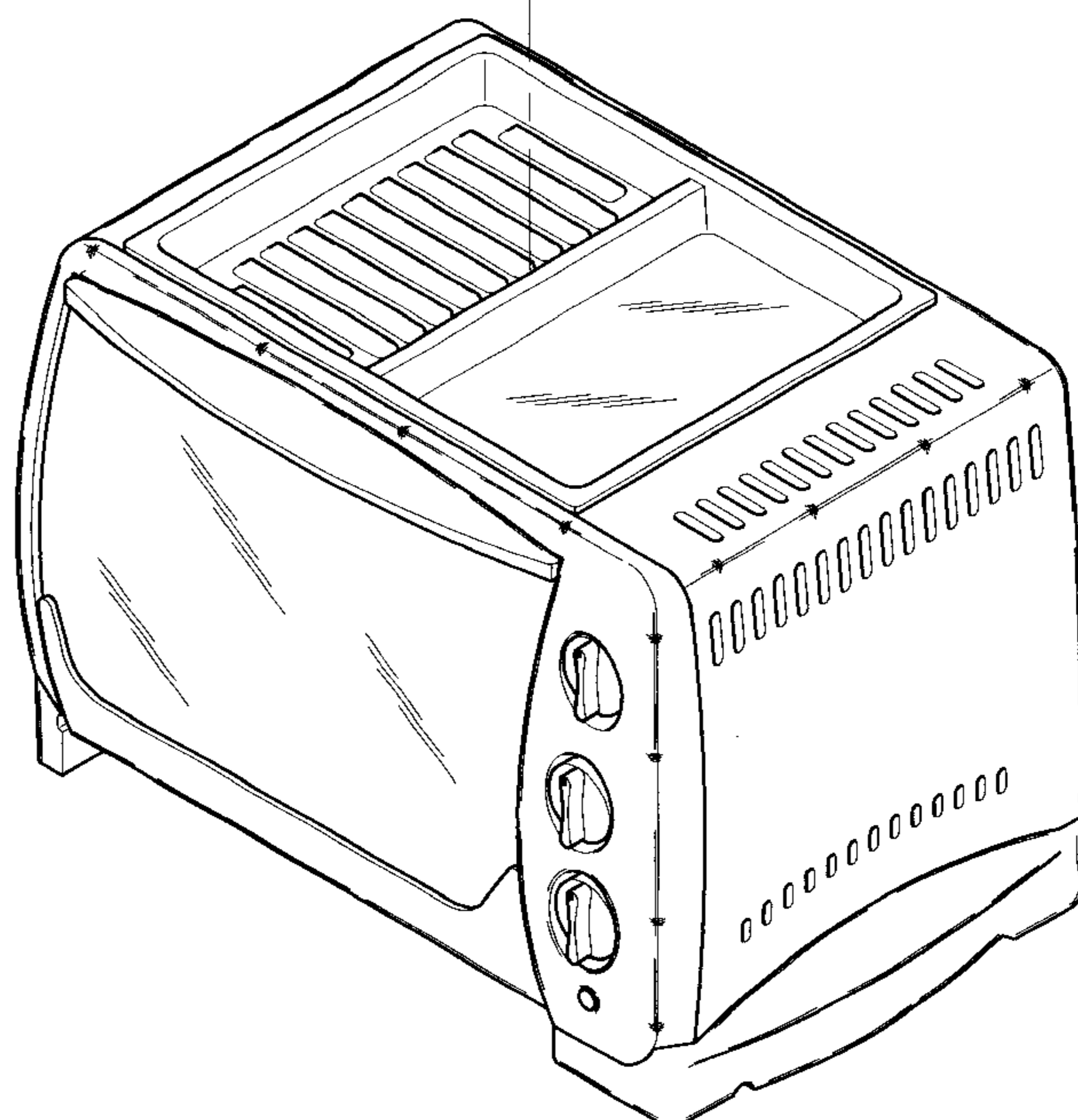
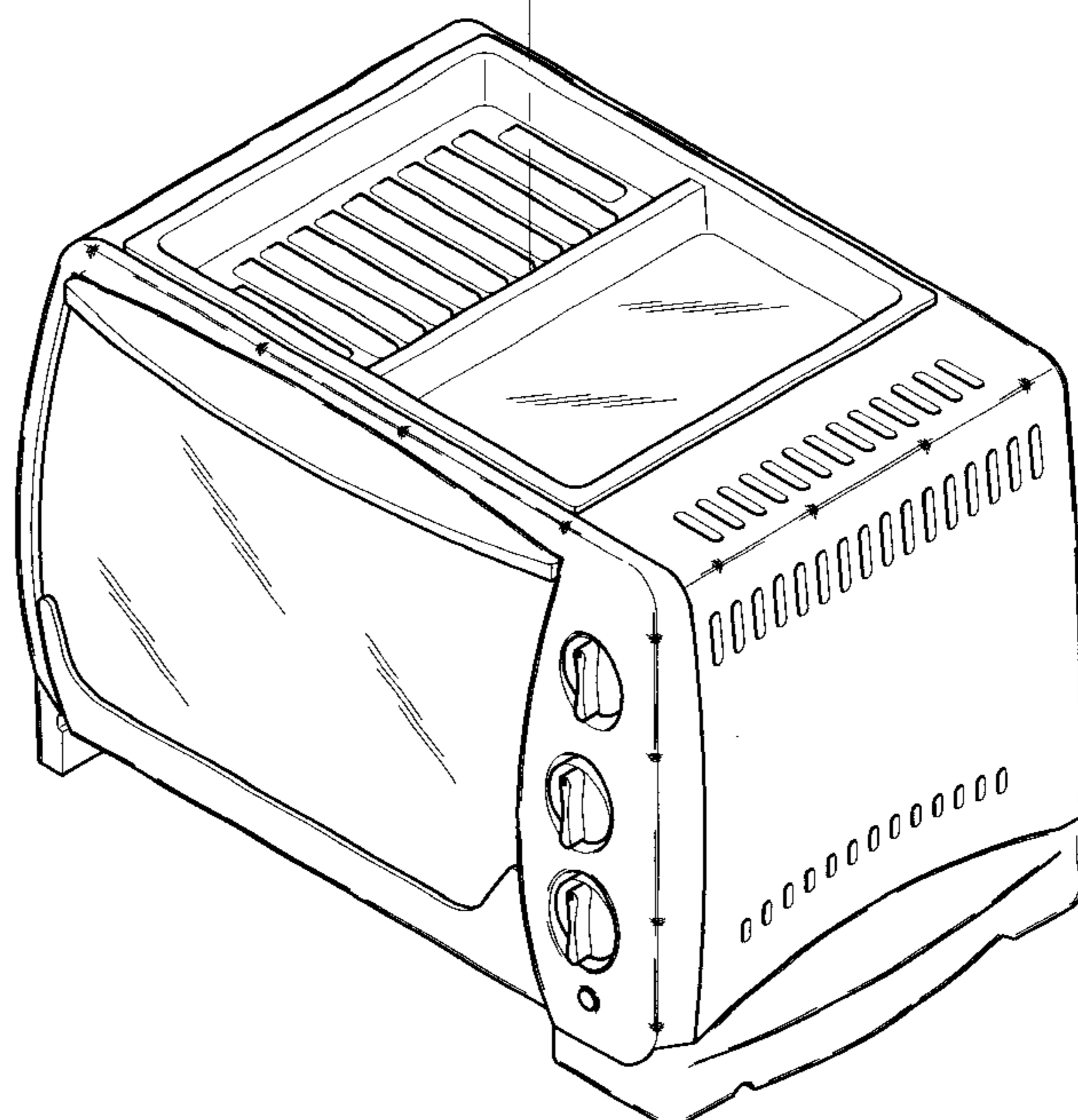
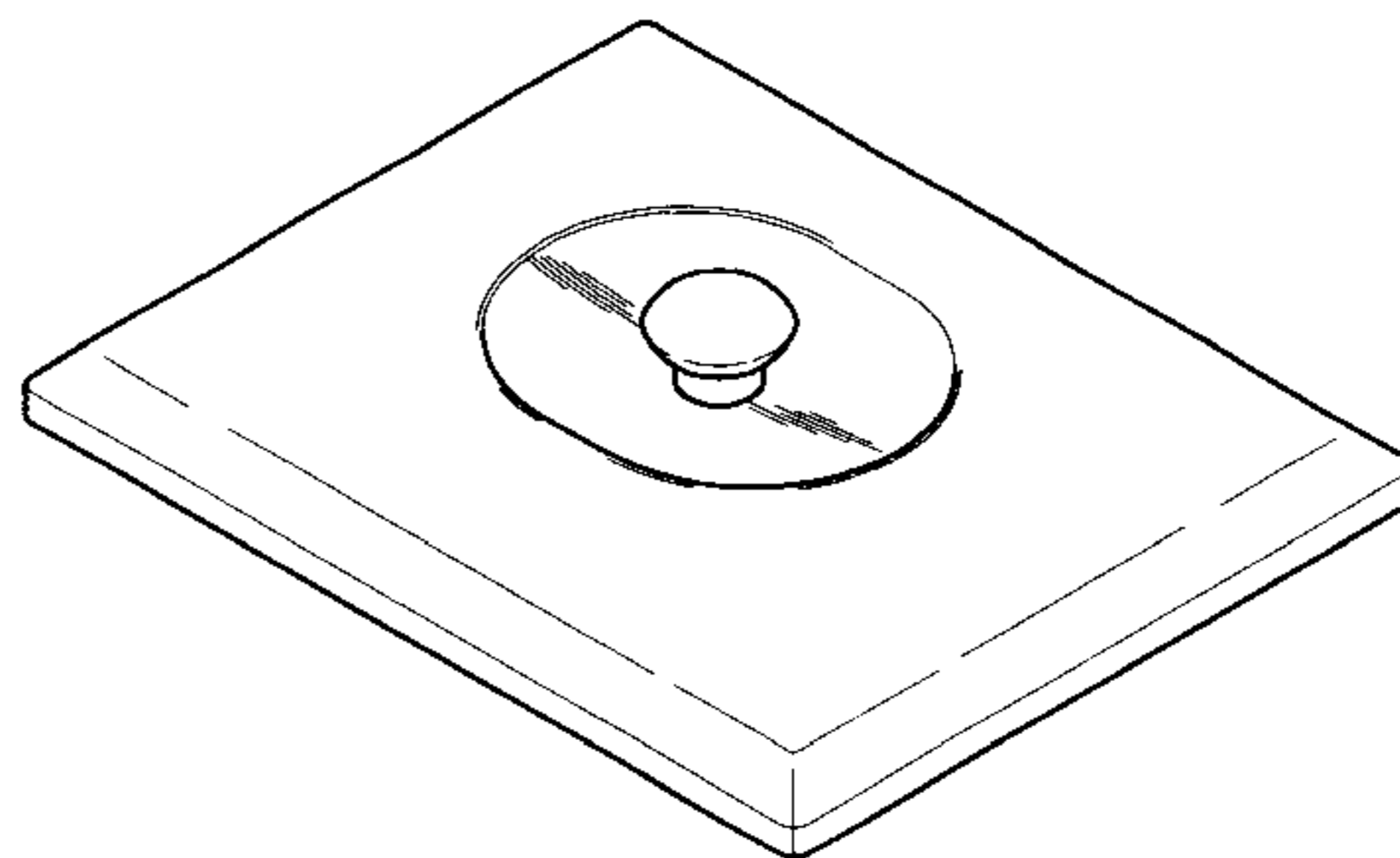
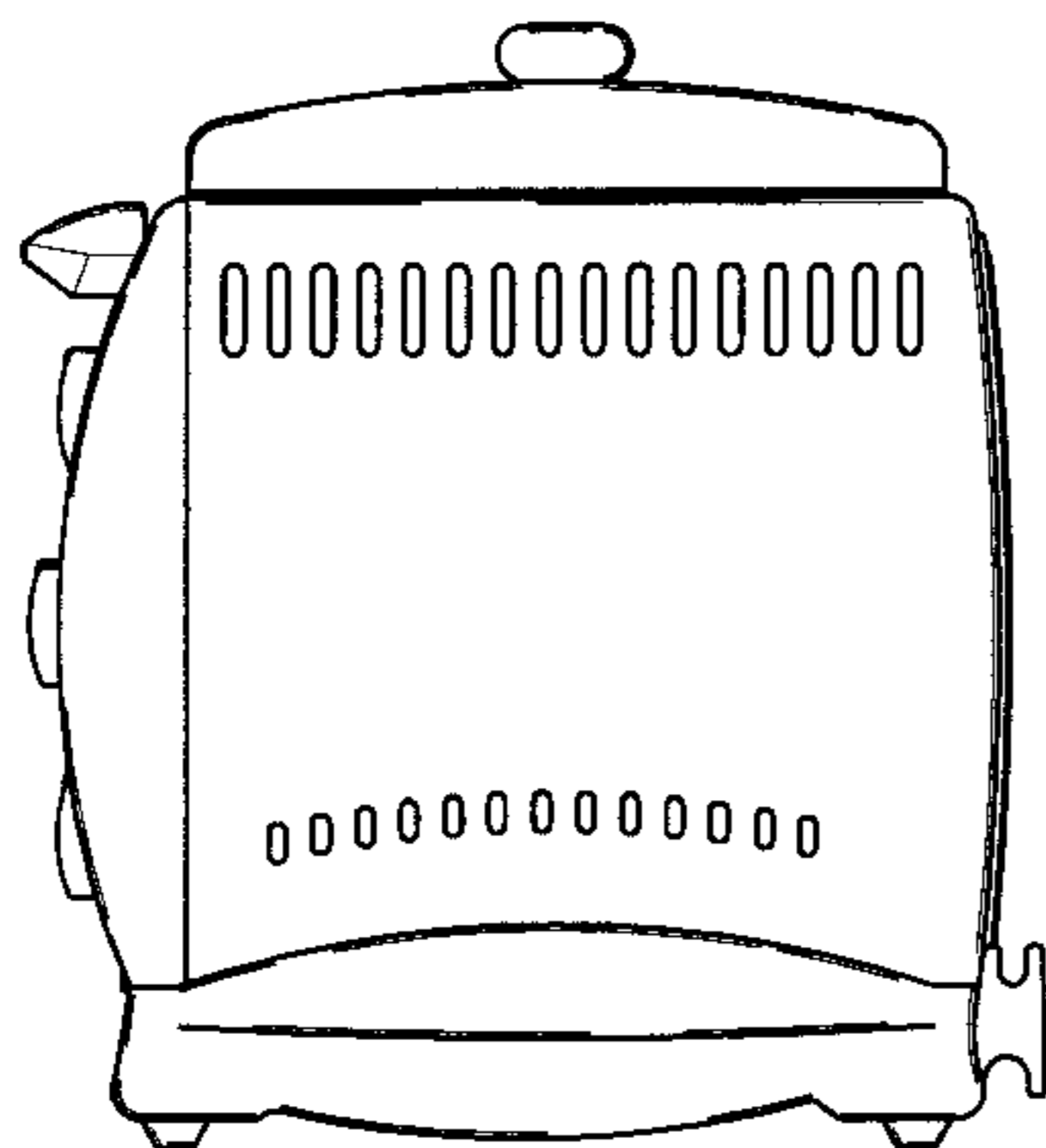
(57) **CLAIM**

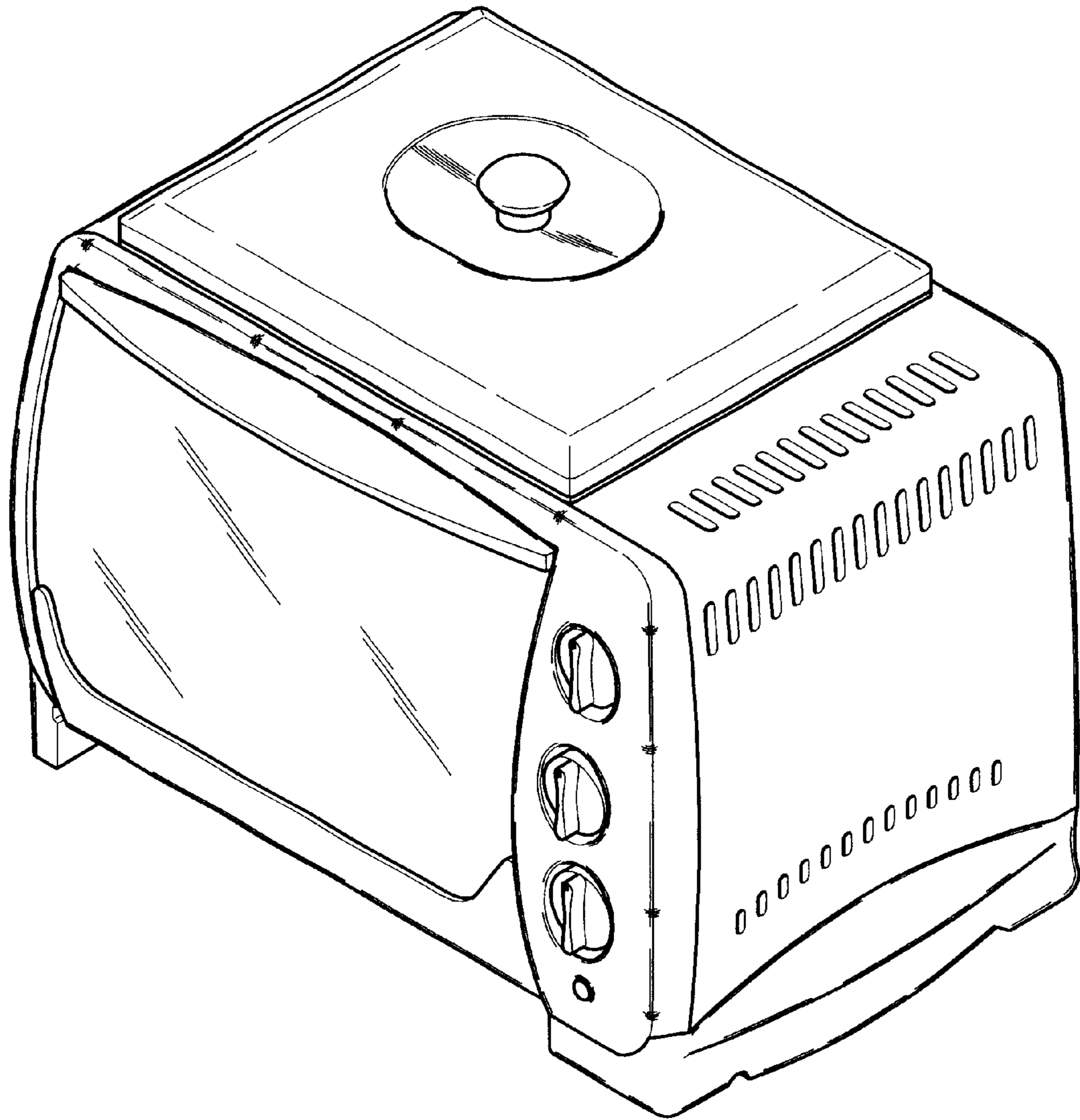
The ornamental design for a roaster oven, as shown and described.

**DESCRIPTION**

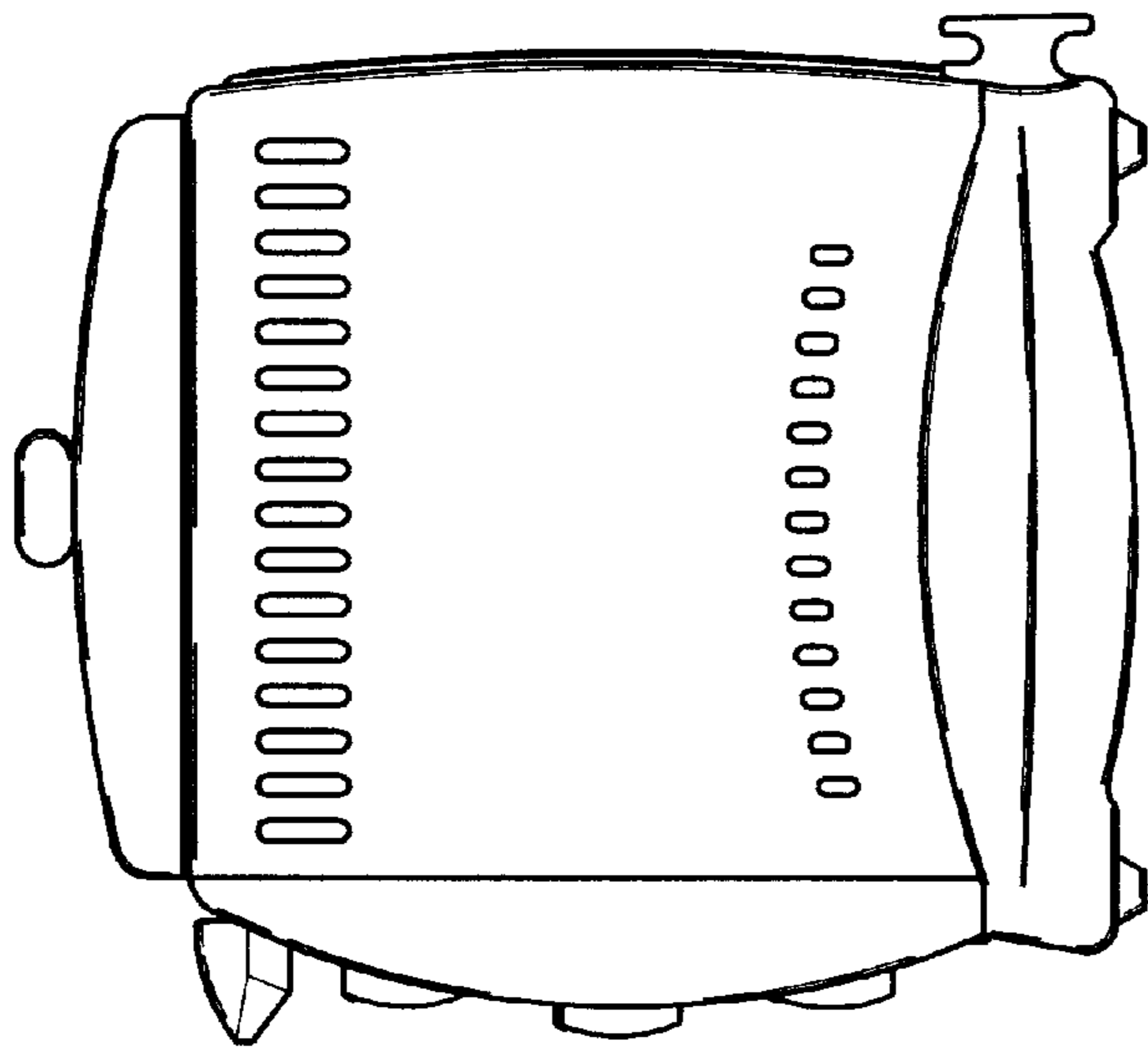
FIG. 1 is a perspective view of a roaster oven showing my new design;  
 FIG. 2 is a right side elevational view thereof;  
 FIG. 3 is a top plan view thereof;  
 FIG. 4 is a front elevational view thereof;  
 FIG. 5 is a bottom plan view thereof;  
 FIG. 6 is a left side elevational view thereof; and,  
 FIG. 7 is a rear elevational view thereof; and,  
 FIG. 8 is a perspective view of a roaster oven with the cap opened.

**1 Claim, 5 Drawing Sheets**

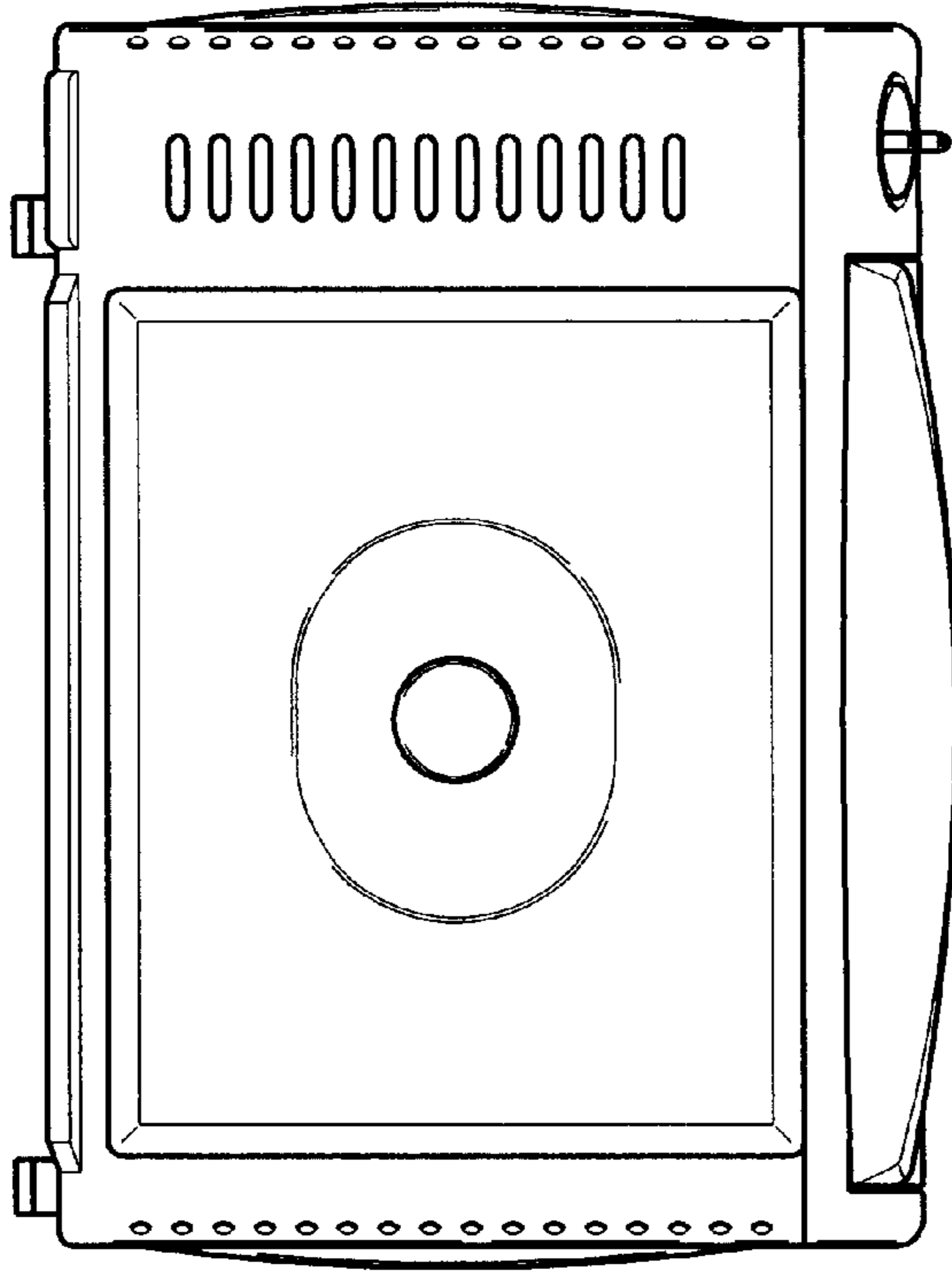




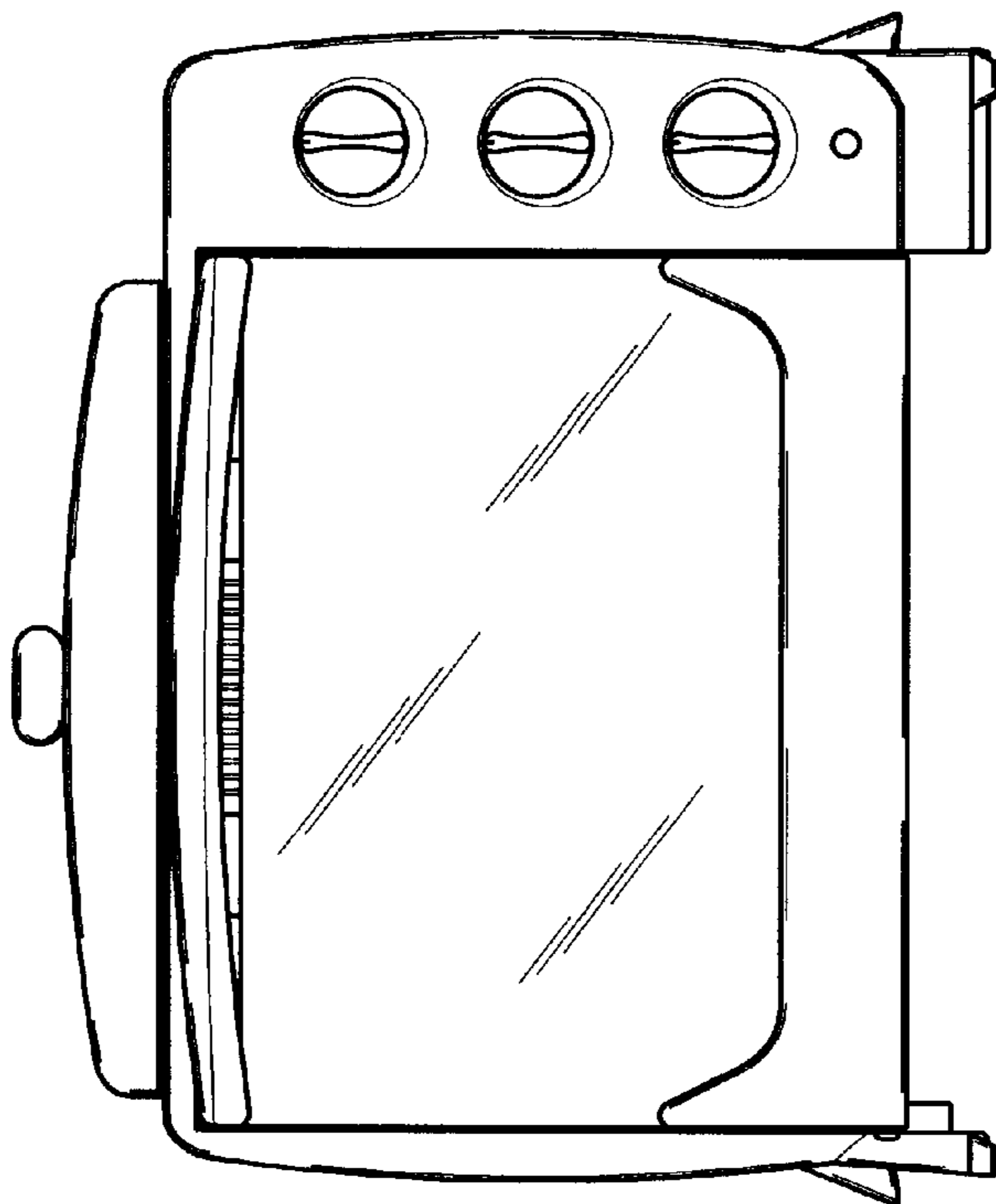
*FIG. 1*



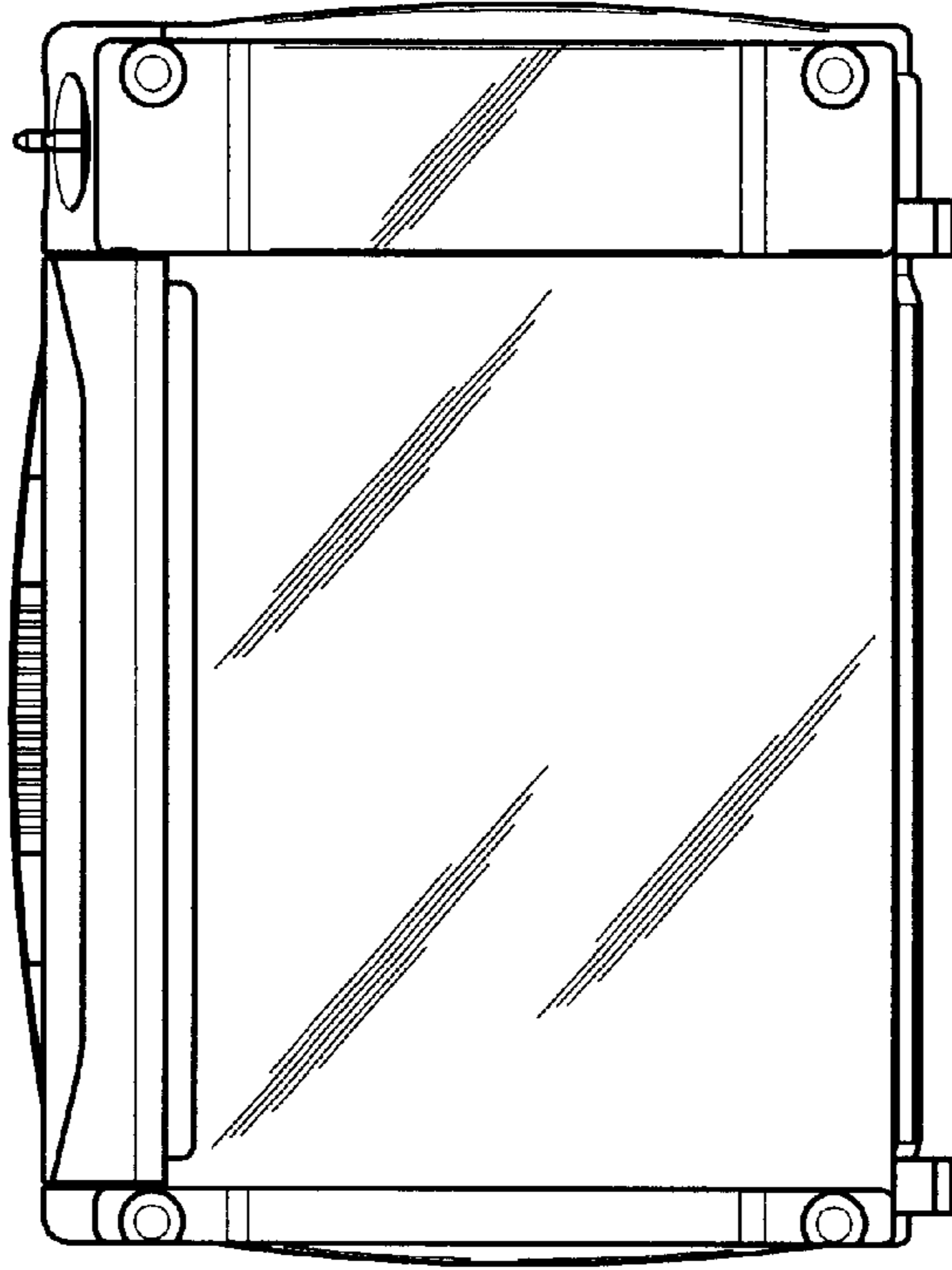
*FIG. 2*



*FIG. 3*



*FIG. 4*



*FIG. 5*

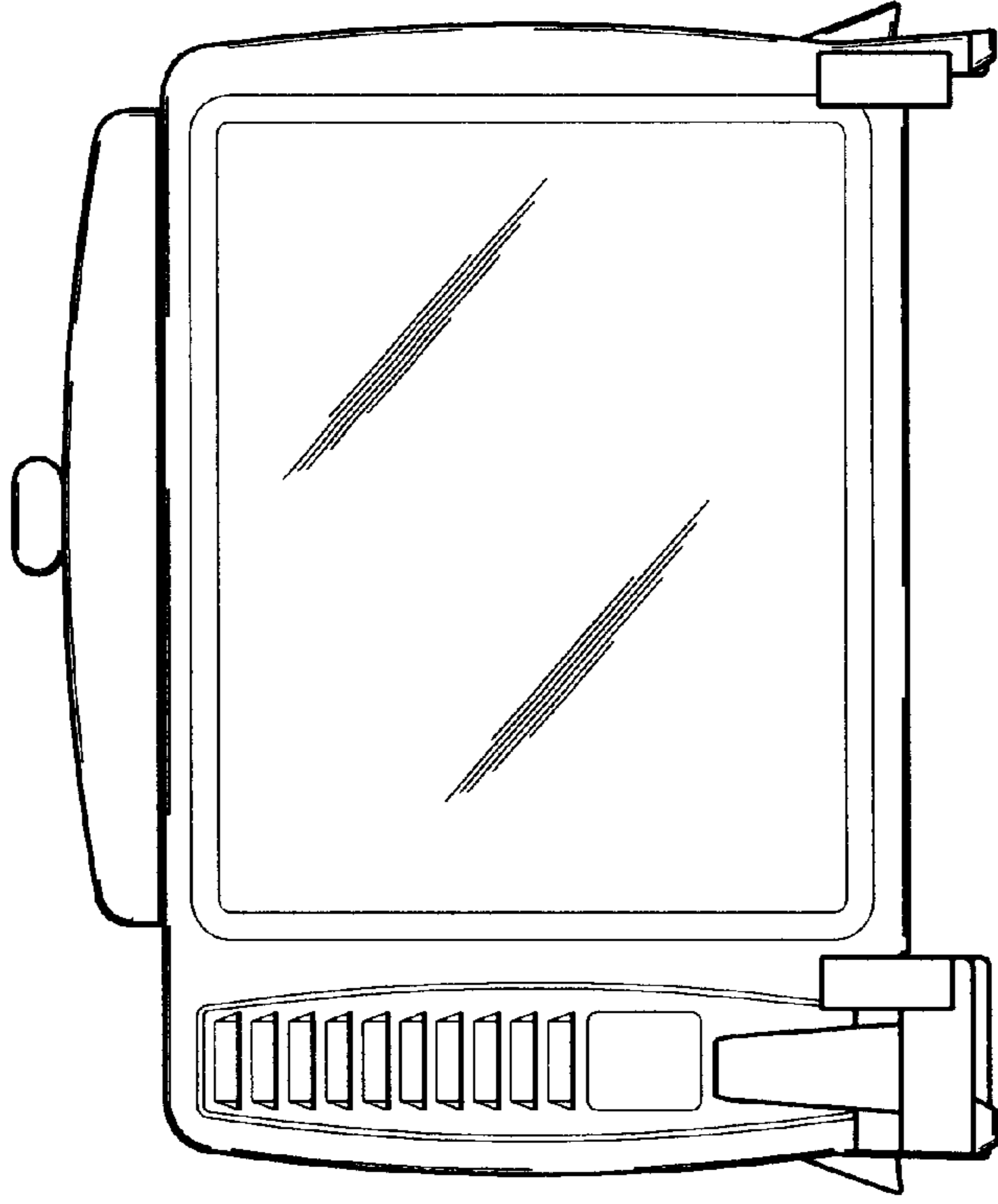


FIG. 6

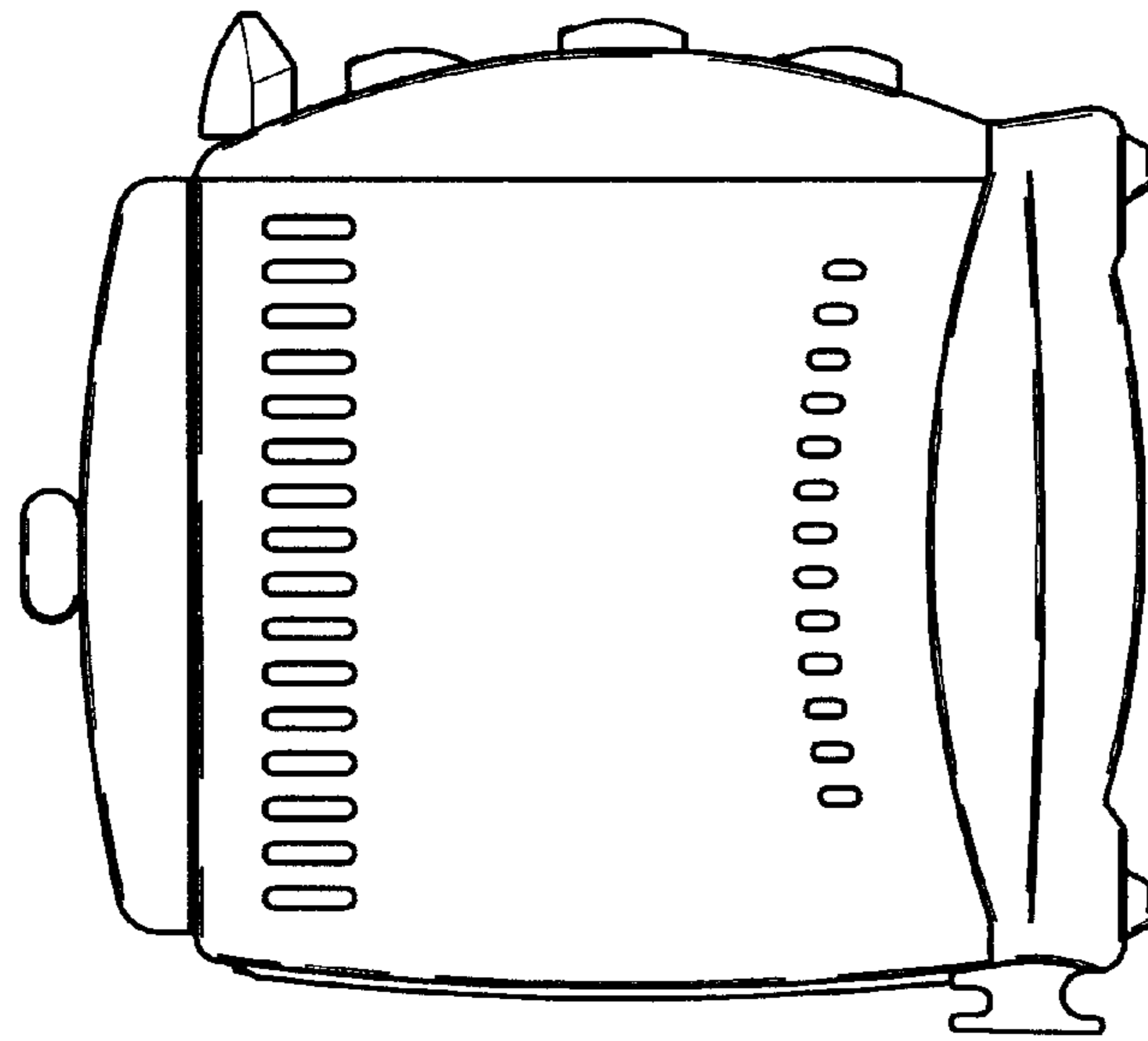
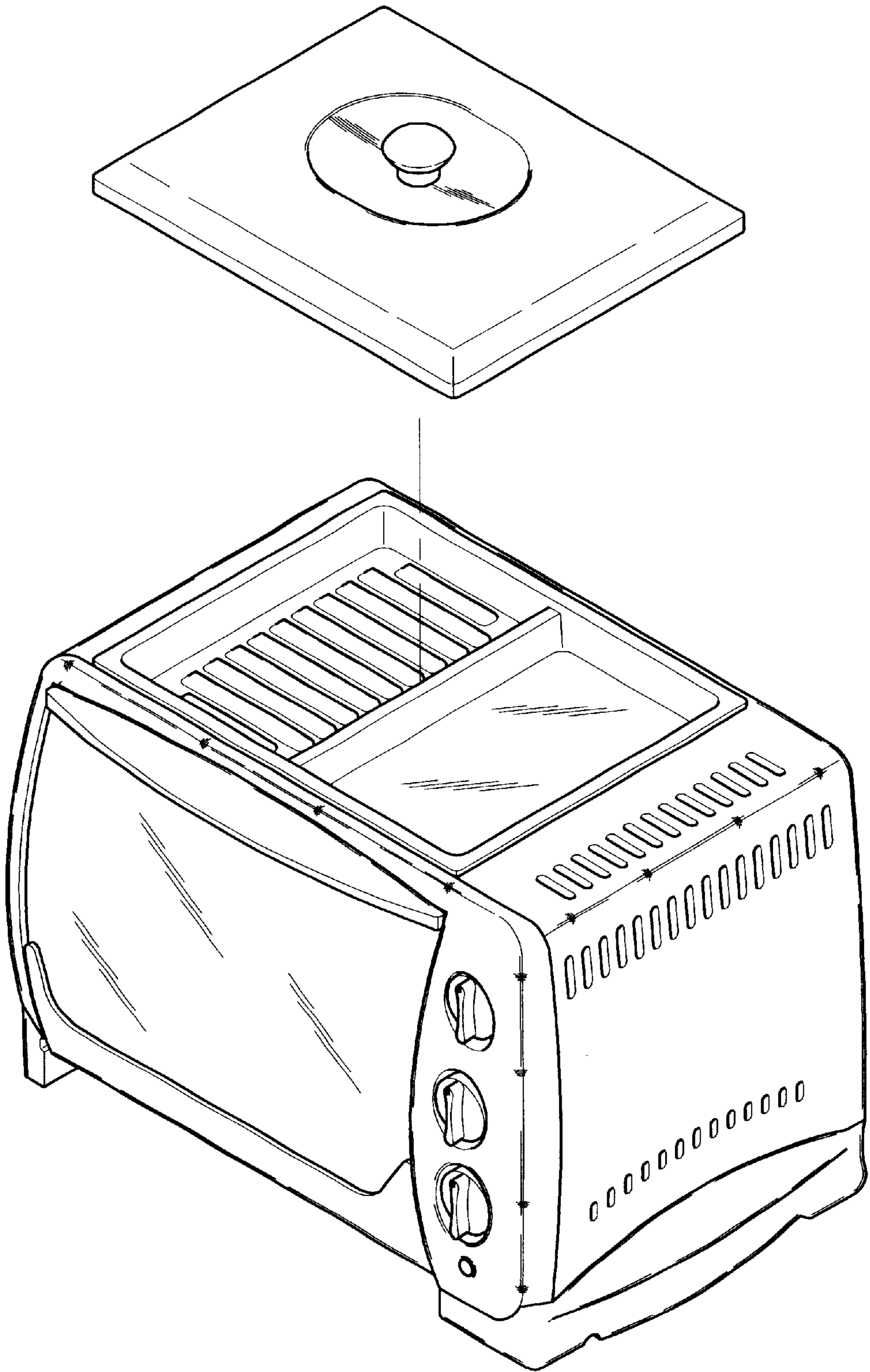


FIG. 7



*FIG. 8*