



US00D453089S

(12) **United States Design Patent**
Neidigh

(10) **Patent No.:** **US D453,089 S**

(45) **Date of Patent:** **** Jan. 29, 2002**

(54) **MIXING PITCHER**

(75) Inventor: **Brian Neidigh**, Sandwich, IL (US)

(73) Assignee: **The Pampered Chef, Ltd.**, Addison, IL (US)

(**) Term: **14 Years**

(21) Appl. No.: **29/119,415**

(22) Filed: **Feb. 29, 2000**

(51) **LOC (7) Cl.** **07-01**

(52) **U.S. Cl.** **D7/319; D7/317**

(58) **Field of Search** D7/300, 312, 316,
D7/321, 317, 318, 319; 222/144.5, 465.1,
572, 473; 99/275, 285, 297; 215/12.1, 12.2;
D23/209, 207; 220/504

(56) **References Cited**

U.S. PATENT DOCUMENTS

- D336,760 S * 6/1993 Raunkjaer D23/209
- D383,351 S * 9/1997 DeMore D7/319
- D384,237 S * 9/1997 Hess D7/319
- D386,041 S * 11/1997 Tanner et al. D7/319
- D389,004 S * 1/1998 Hampshire et al. D7/319
- D398,184 S * 9/1998 Silverberg et al. D7/319
- D415,922 S * 11/1999 Kawasaki et al. D7/317

- D416,163 S * 11/1999 Doritty et al. D7/319
- D439,790 S * 4/2001 Matsushita et al. D7/319
- D440,110 S * 4/2001 Tanner et al. D7/319
- D444,662 S * 7/2001 McGrath et al. D7/319
- D444,843 S * 7/2001 Hilgers et al. D23/207
- D445,293 S * 7/2001 Lillelund et al. D7/319

* cited by examiner

Primary Examiner—M. N. Pandozzi

(74) *Attorney, Agent, or Firm*—Olson & Hierl, Ltd.

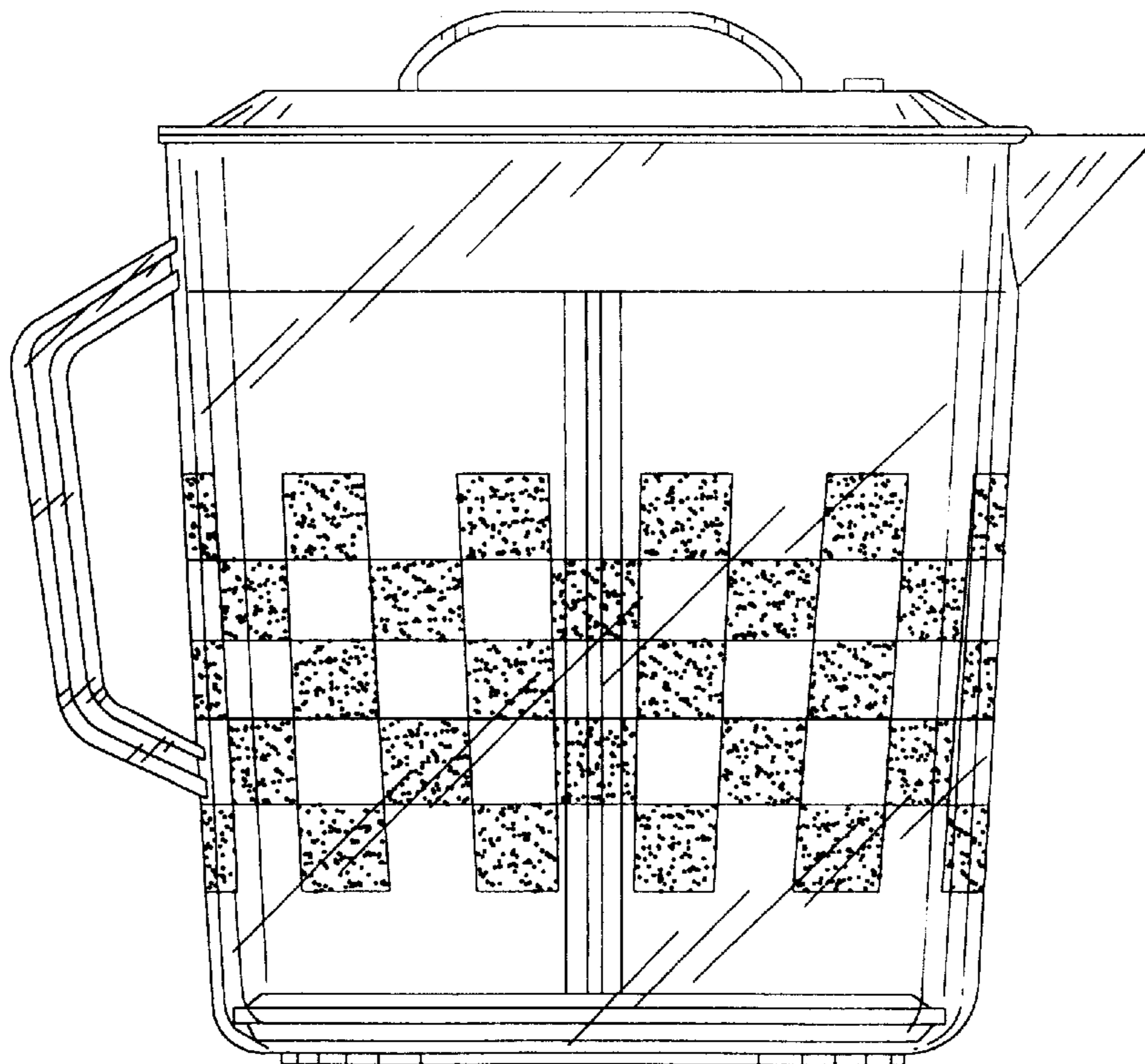
(57) **CLAIM**

The ornamental design for a mixing pitcher, as shown and described.

DESCRIPTION

FIG. 1 is a perspective view of the inventive design for a mixing pitcher;
 FIG. 2 is a side elevational view of the FIG. 1 design;
 FIG. 3 is an opposite side elevational view of the FIG. 1 design;
 FIG. 4 is a bottom plan view of the FIG. 1 design;
 FIG. 5 is a top plan view of the FIG. 1 design;
 FIG. 6 is a front end elevational view of the FIG. 1 design;
 and,
 FIG. 7 is a rear end elevational view of the FIG. 1 design.

1 Claim, 3 Drawing Sheets



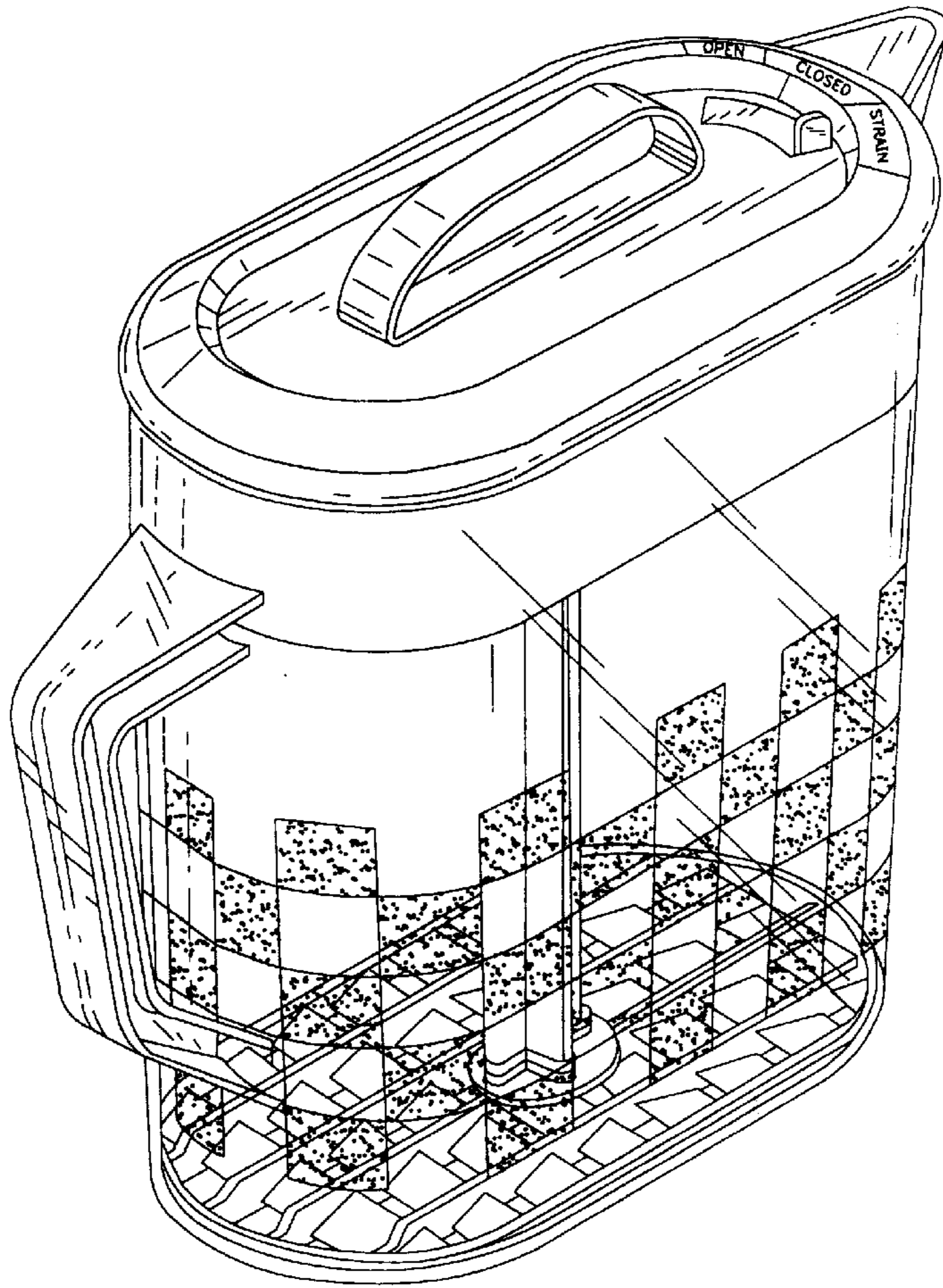


FIG. 1

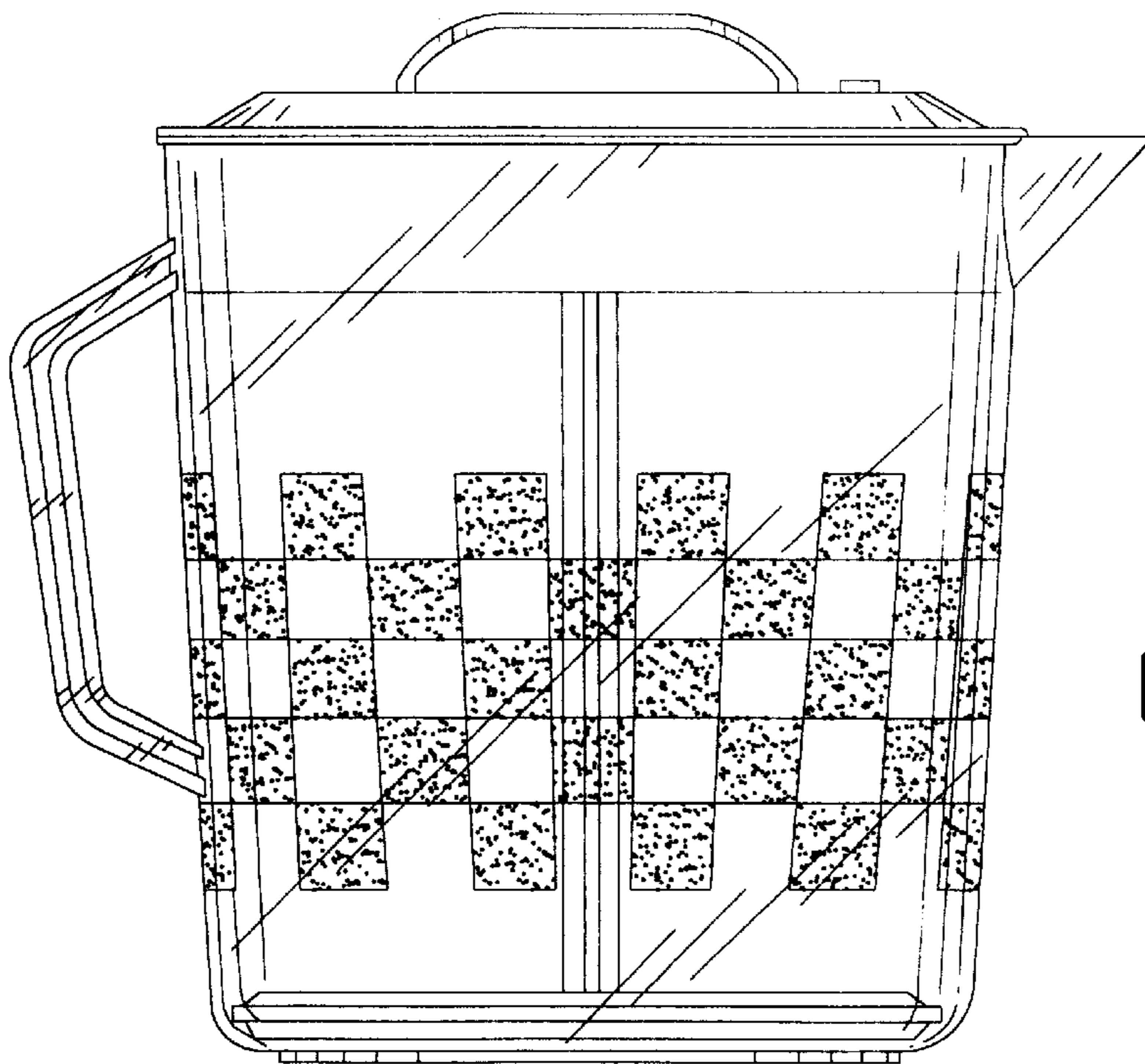


FIG. 2

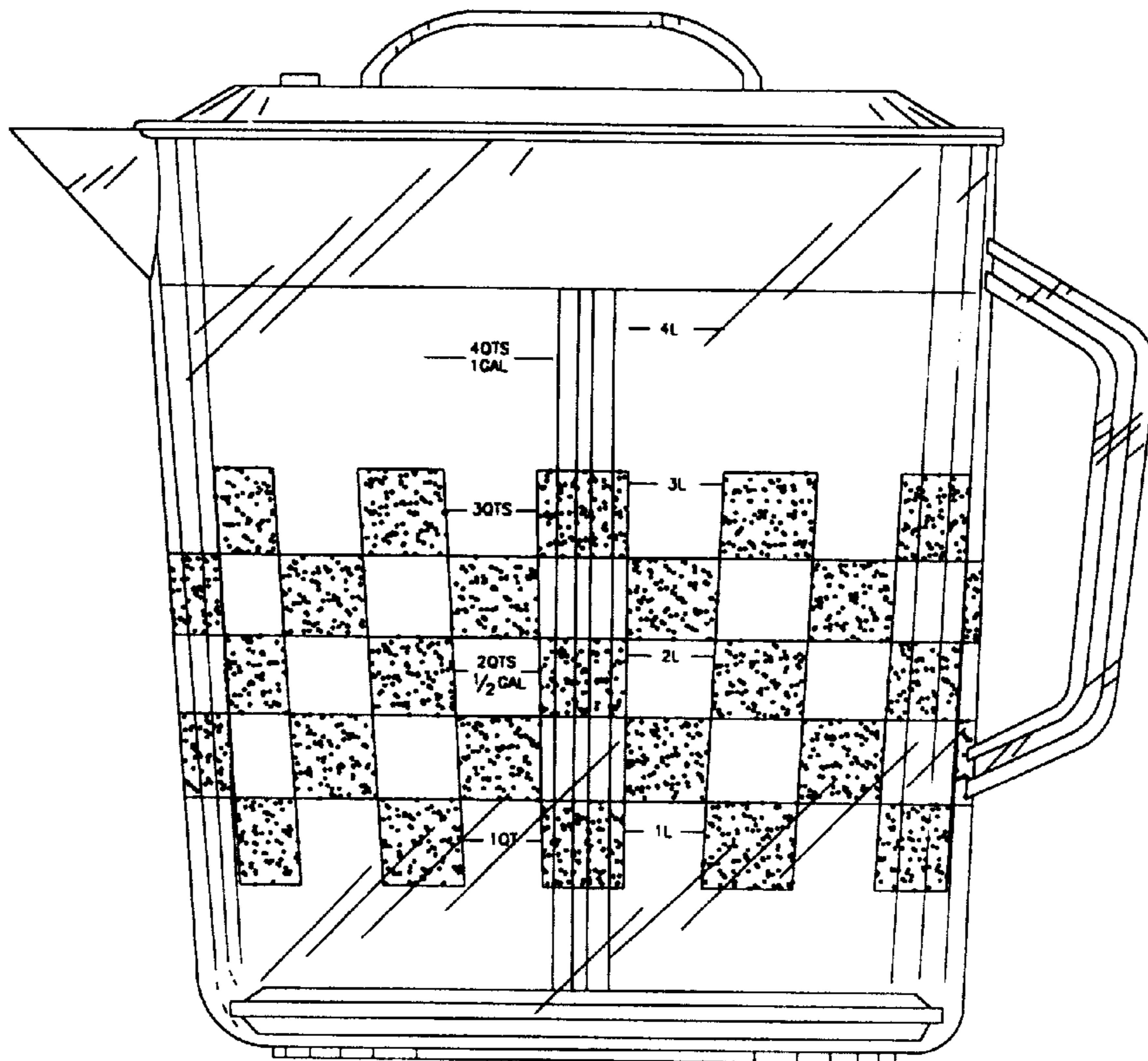


FIG. 3

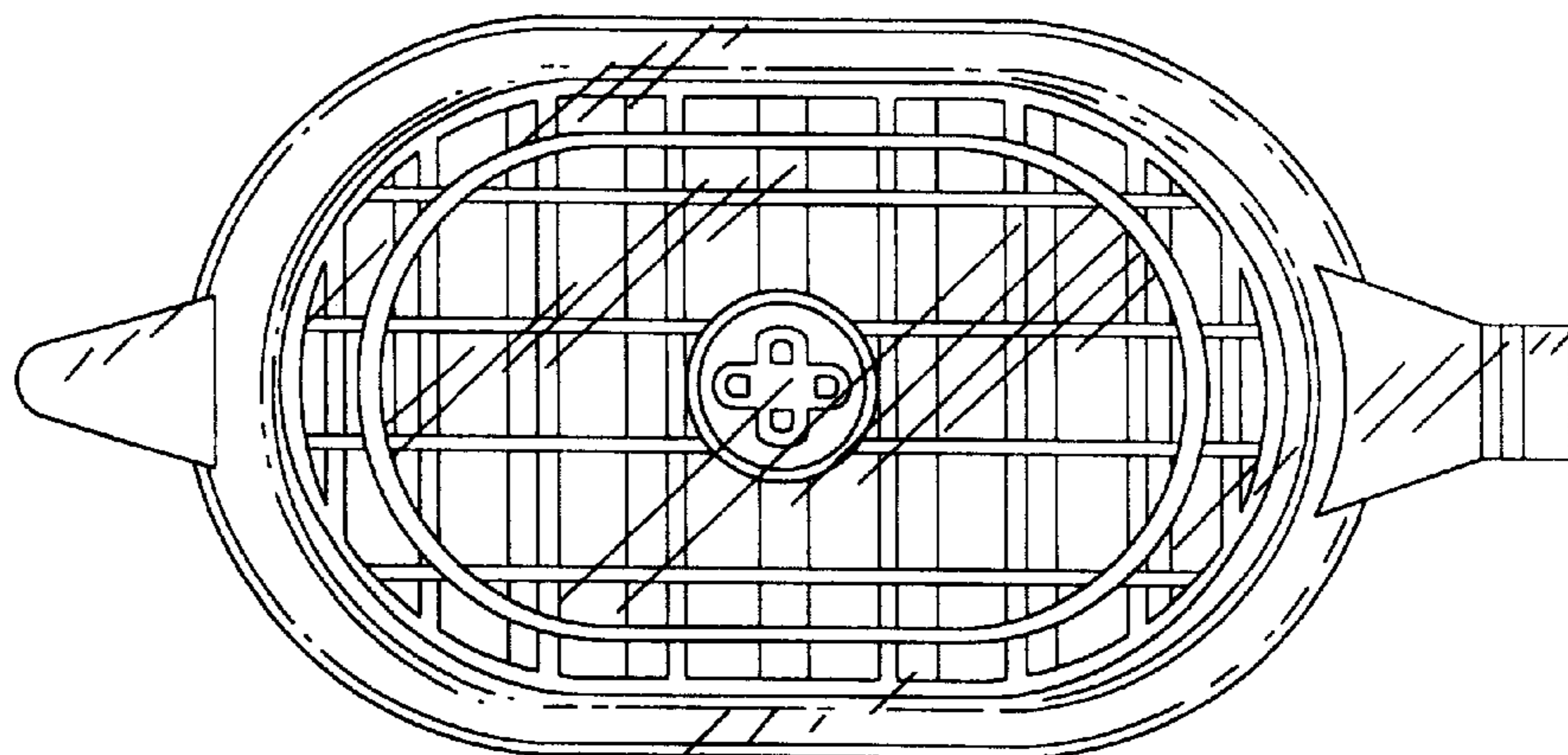


FIG. 4

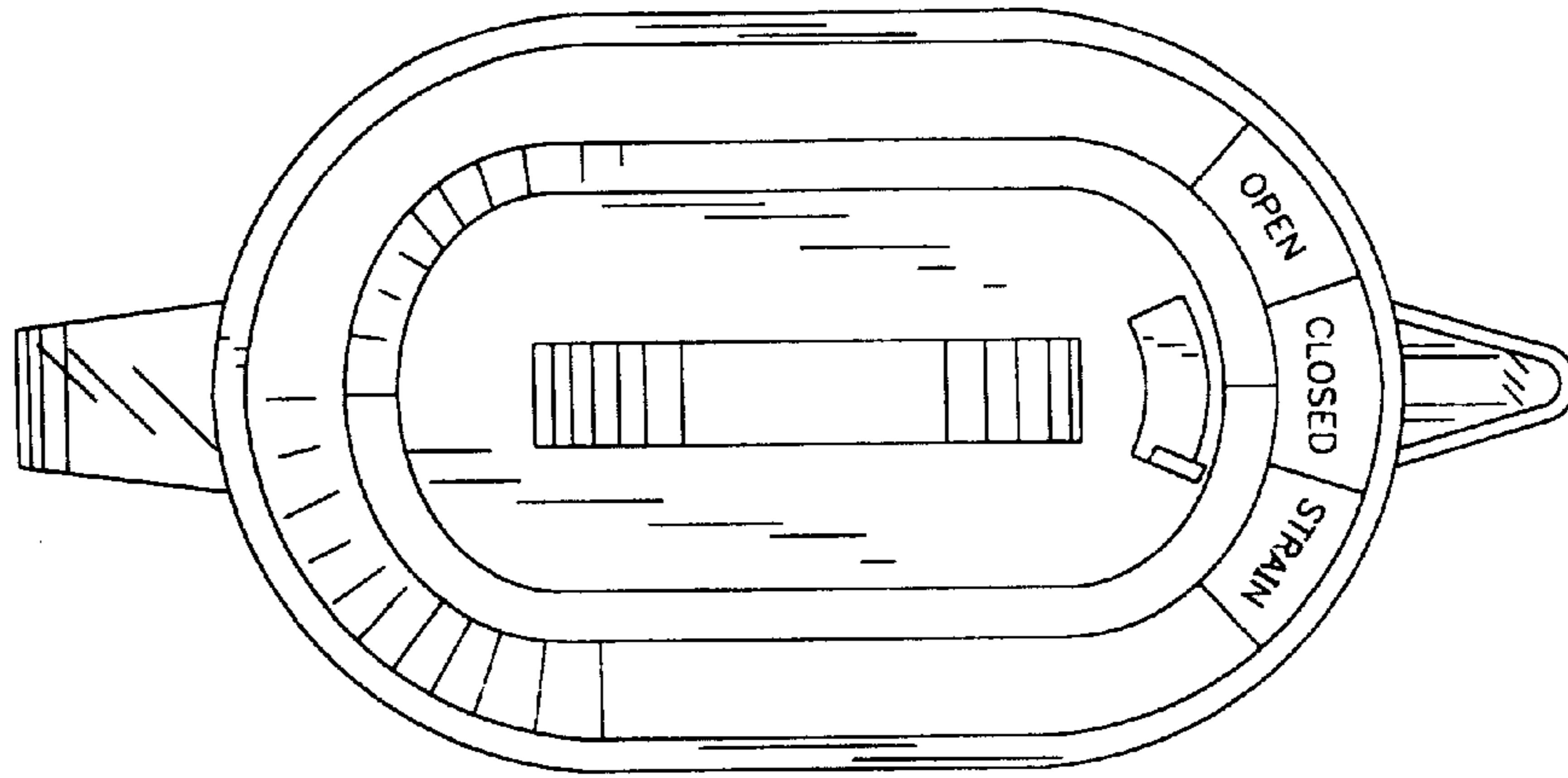


FIG. 5

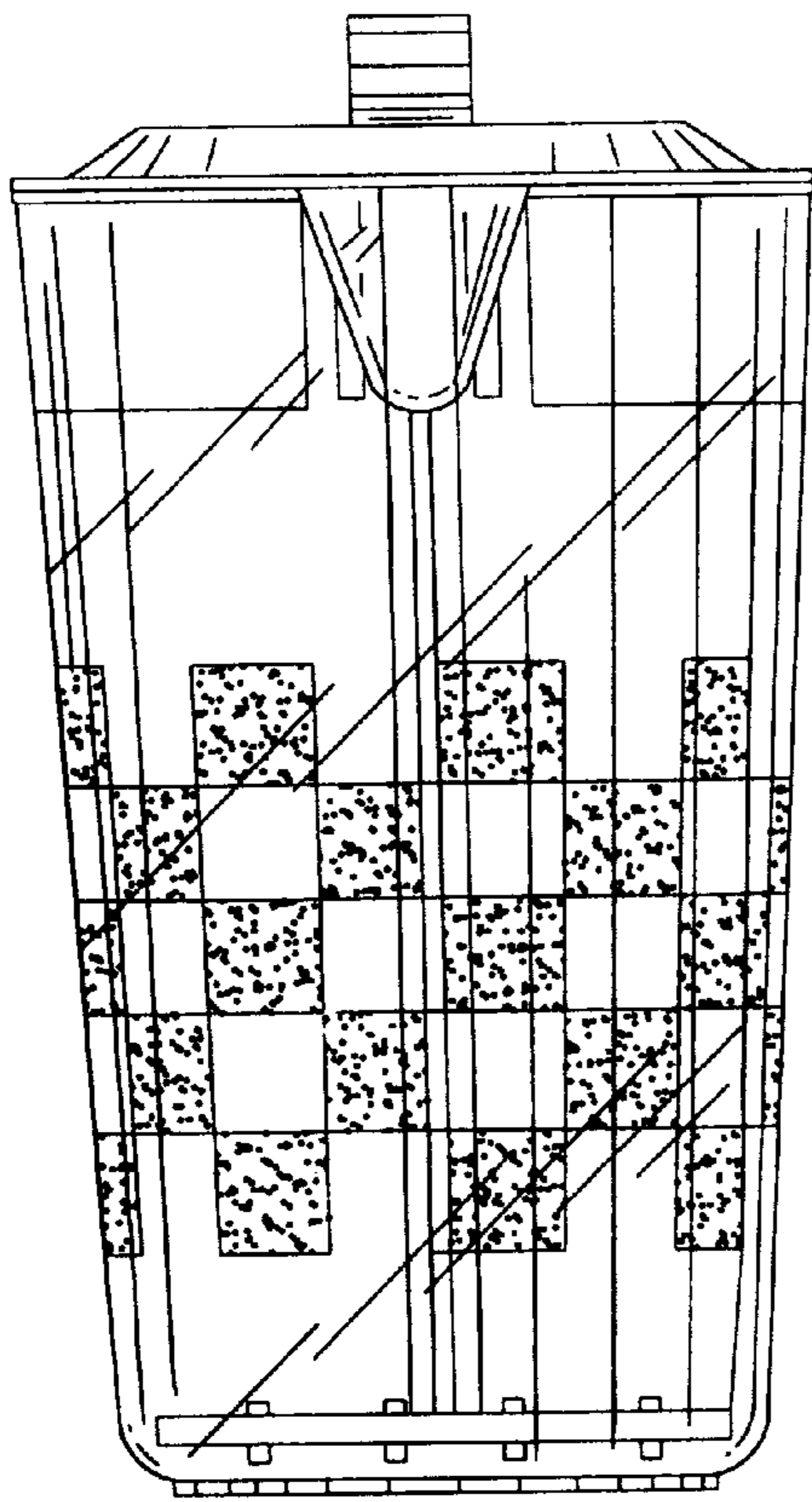


FIG. 6

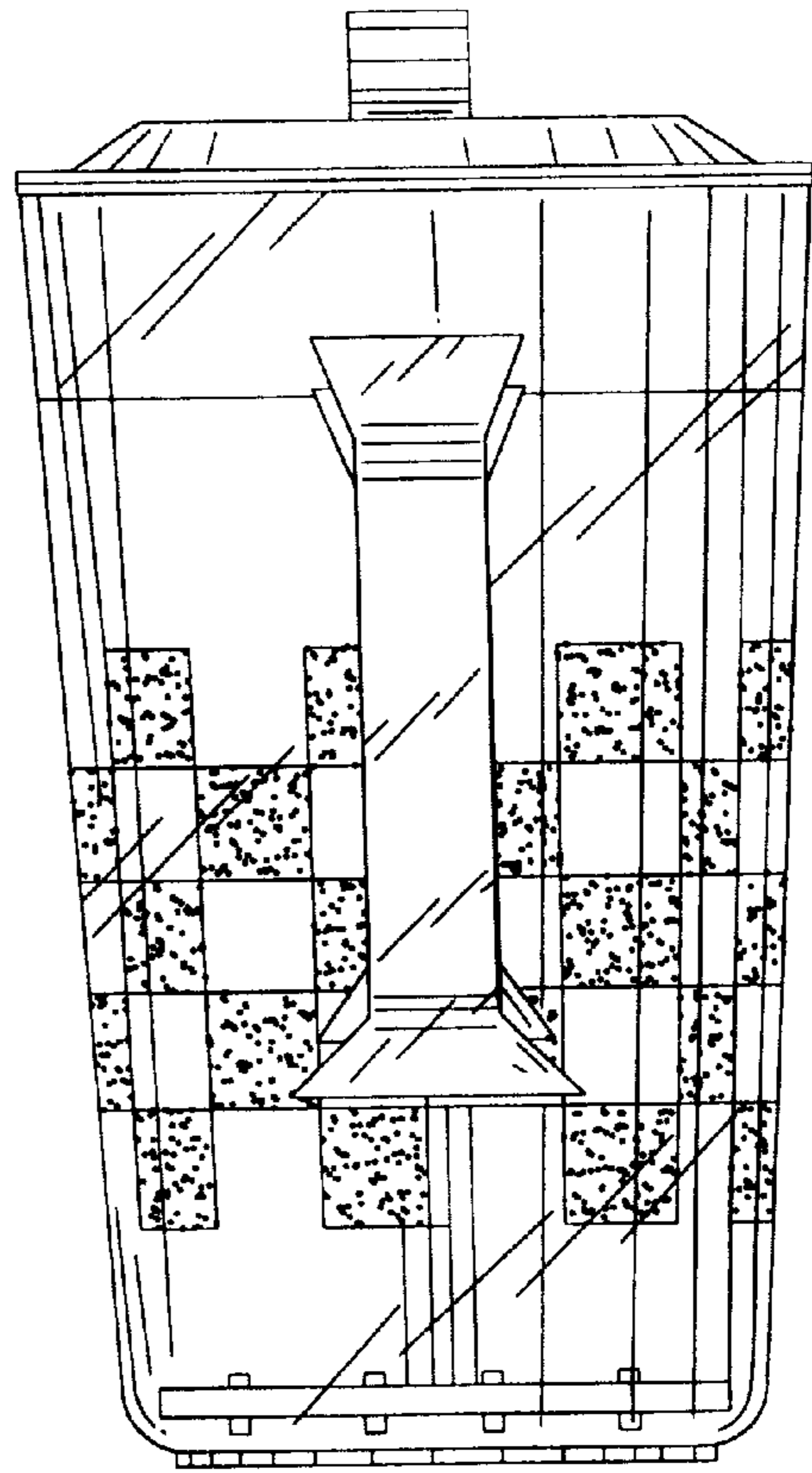


FIG. 7