



US00D453084S

(12) **United States Design Patent**
Lange

(10) **Patent No.:** **US D453,084 S**

(45) **Date of Patent:** **** Jan. 29, 2002**

(54) **COMBINED FACIAL TISSUE AND PHOTOGRAPH HOLDER**

(76) **Inventor:** **Sandra L. Lange**, 7923 Winter Song Dr., Orlando, FL (US) 32825

(**) **Term:** **14 Years**

(21) **Appl. No.:** **29/128,485**

(22) **Filed:** **Aug. 25, 2000**

Related U.S. Application Data

(62) Division of application No. 29/116,563, filed on Jan. 5, 2000, now Pat. No. Des. 436,273.

(51) **LOC (7) Cl.** **20-02**

(52) **U.S. Cl.** **D6/519**

(58) **Field of Search** D6/518, 519; 206/804, 206/812; 211/13.1, 48, 49.1; 221/22, 33, 45, 286; 312/34.1, 34.4

(56) **References Cited**

U.S. PATENT DOCUMENTS

D321,655 S * 11/1991 Lai D6/518 X

D371,708 S * 7/1996 Haley et al. D6/518
D372,386 S * 8/1996 Kuchenbecker D6/518
D390,391 S * 2/1998 Hsu D6/518
D403,189 S * 12/1998 Isaacson D6/518

* cited by examiner

Primary Examiner—Brian N. Vinson
(74) *Attorney, Agent, or Firm*—Allen, Dyer, Doppelt, Milbrath & Gilchrist, P.A.

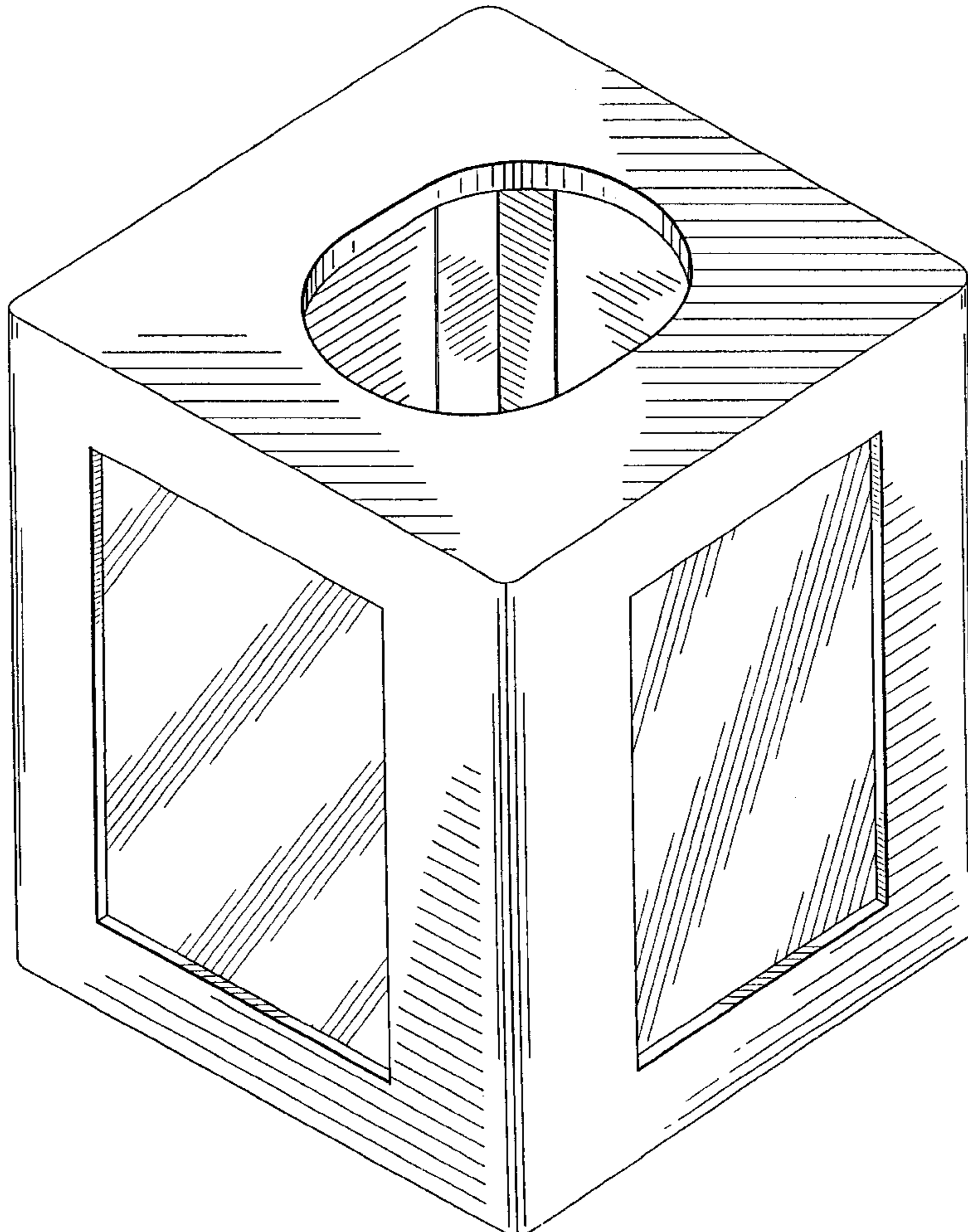
(57) **CLAIM**

The ornamental design for a combined facial tissue and photograph holder, as shown and described.

DESCRIPTION

FIG. 1 is a top, corner perspective view of the combined facial tissue and photograph holder showing my new design; FIG. 2 is a bottom plan view thereof; FIG. 3 is a top plan view thereof; and, FIG. 4 is a side view thereof.

1 Claim, 3 Drawing Sheets



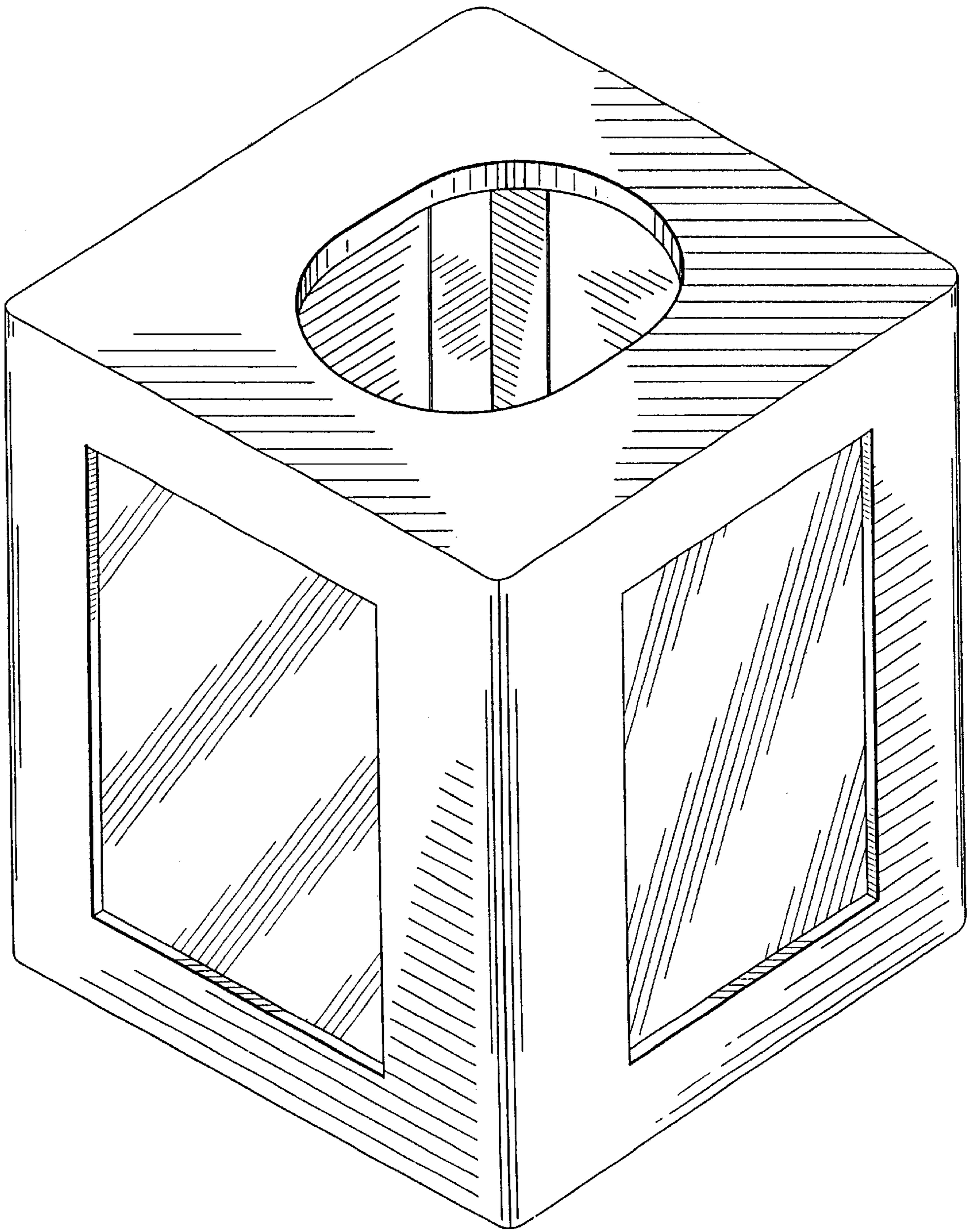


FIG. 1.

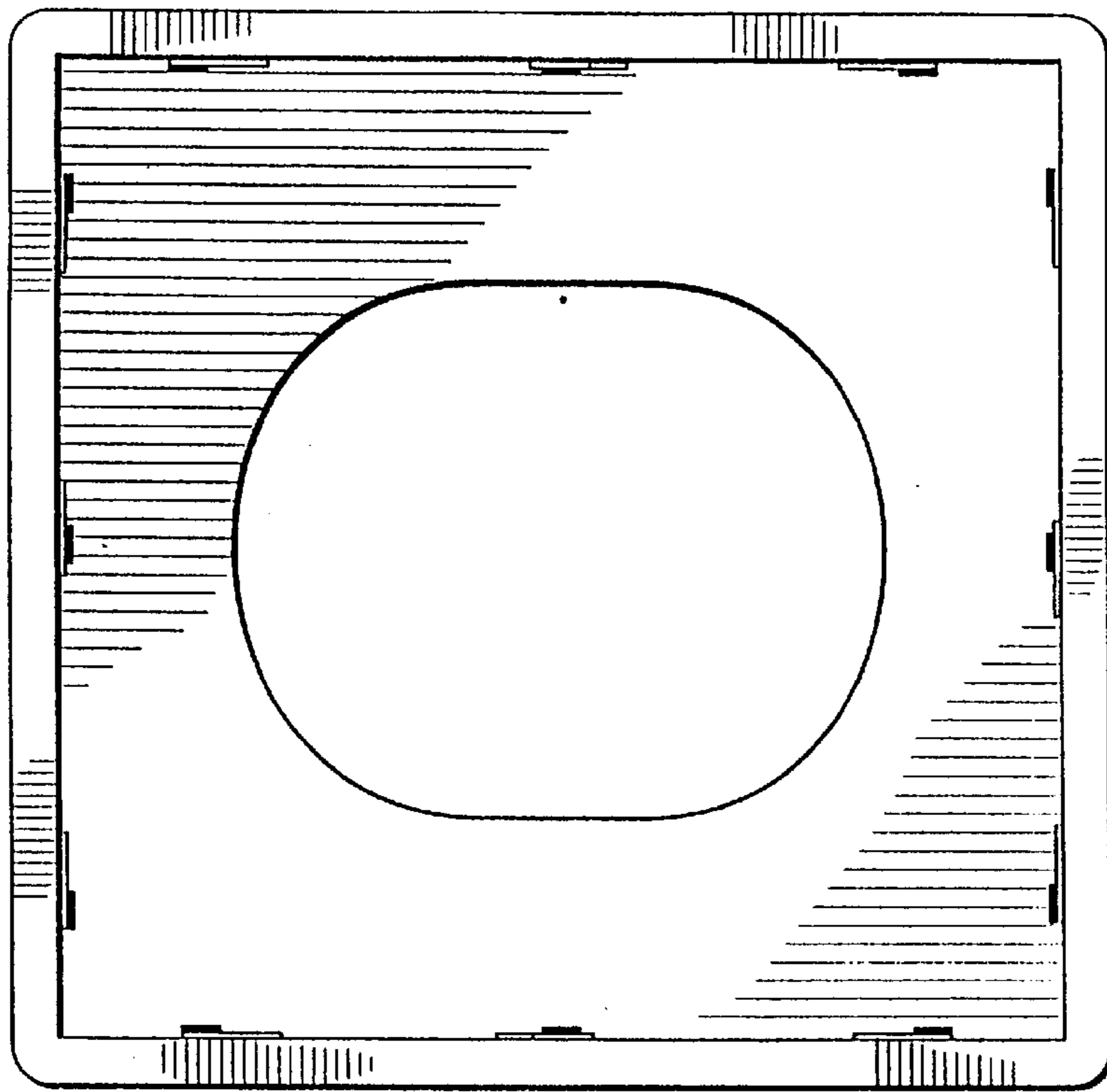


FIG. 2.

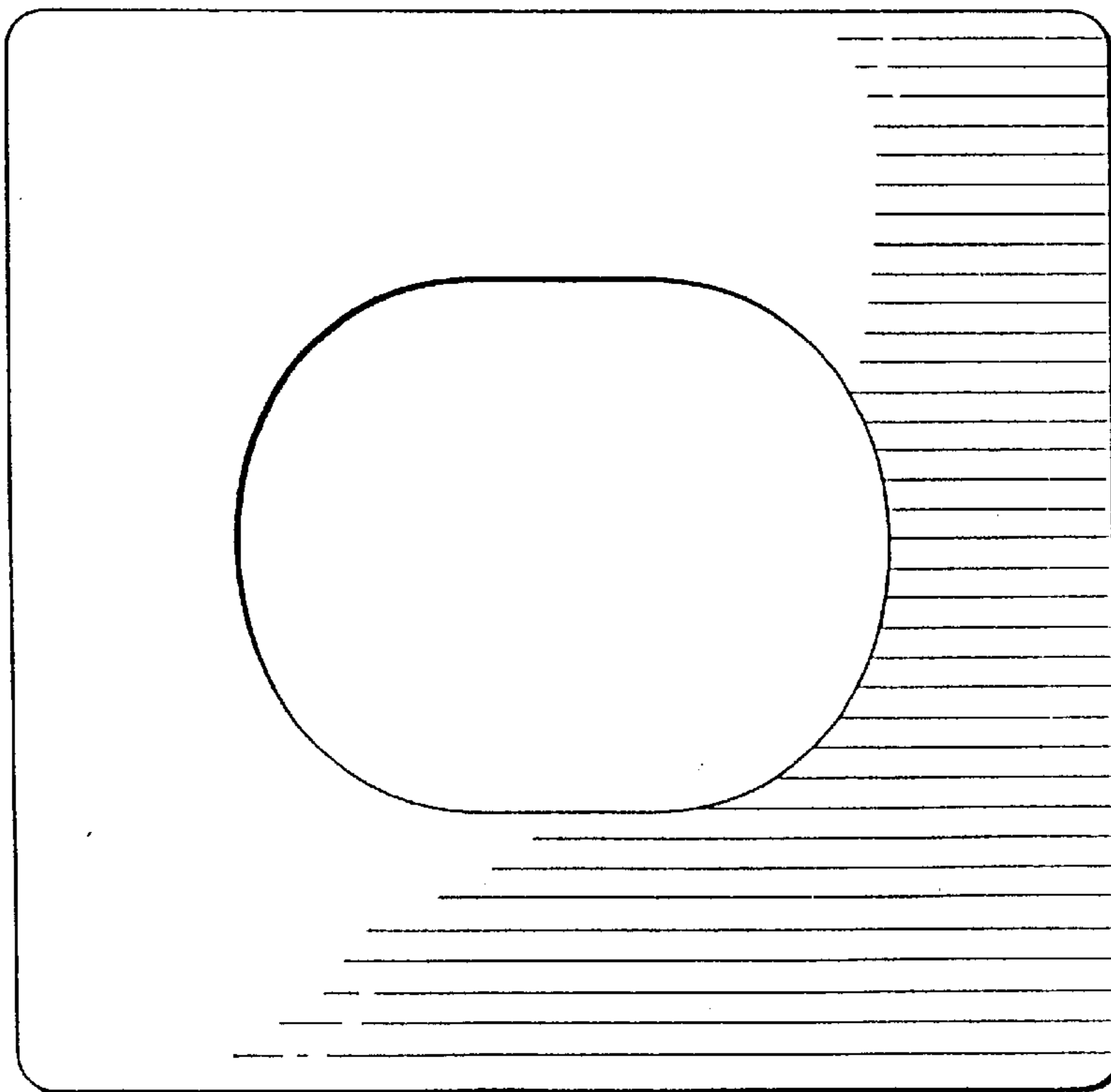


FIG. 3.

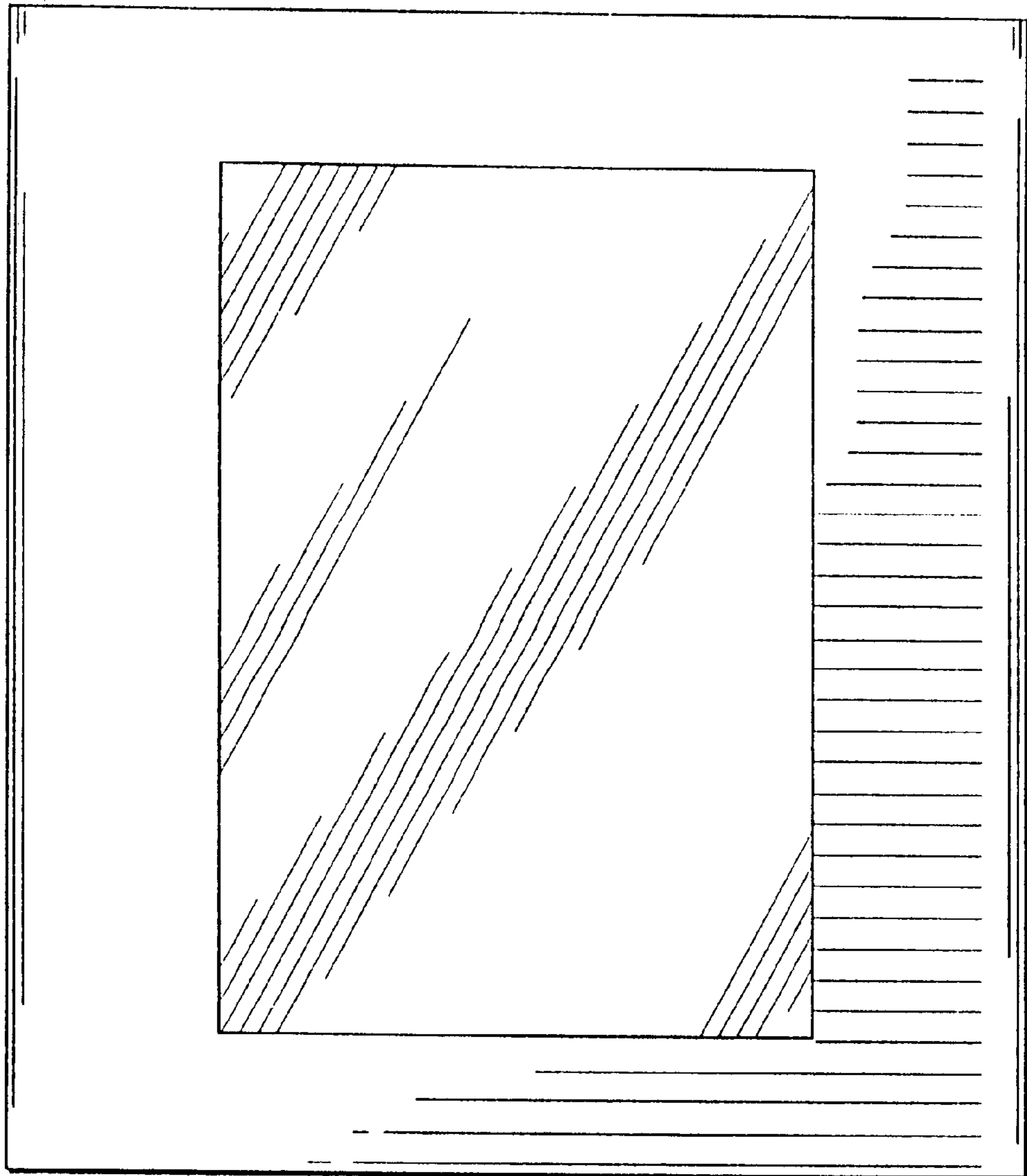


FIG. 4.