



US00D453083S

(12) **United States Design Patent**  
**Hokanson**

(10) **Patent No.:** **US D453,083 S**

(45) **Date of Patent:** **\*\* Jan. 29, 2002**

(54) **TABLE**  
(75) **Inventor:** **Gary Hokanson**, Martinsville, VA (US)  
(73) **Assignee:** **Stanley Furniture Company, Inc.**,  
Stanleytown, VA (US)

(\*\*) **Term:** **14 Years**

(21) **Appl. No.:** **29/137,085**

(22) **Filed:** **Feb. 14, 2001**

(51) **LOC (7) Cl.** ..... **06-03**

(52) **U.S. Cl.** ..... **D6/484; D6/480**

(58) **Field of Search** ..... D6/480-489, 495-499,  
D6/429-431; 108/153.1, 155, 156, 157.1,  
158.11, 161, 64, 65, 69, 70, 76, 77; 248/188,  
188.1, 188.8

(56) **References Cited**

**U.S. PATENT DOCUMENTS**

D25,676 S \* 6/1896 Beckwith ..... D6/480

1,870,173 A \* 8/1932 Calton ..... 108/156  
1,870,174 A \* 8/1932 Calton ..... 108/157.1  
2,614,013 A \* 10/1952 Langius ..... 108/69  
4,396,173 A \* 8/1983 Call, Sr. .... 248/188

\* cited by examiner

*Primary Examiner*—Janice E. Seeger

(74) *Attorney, Agent, or Firm*—McGuire Woods LLP

(57) **CLAIM**

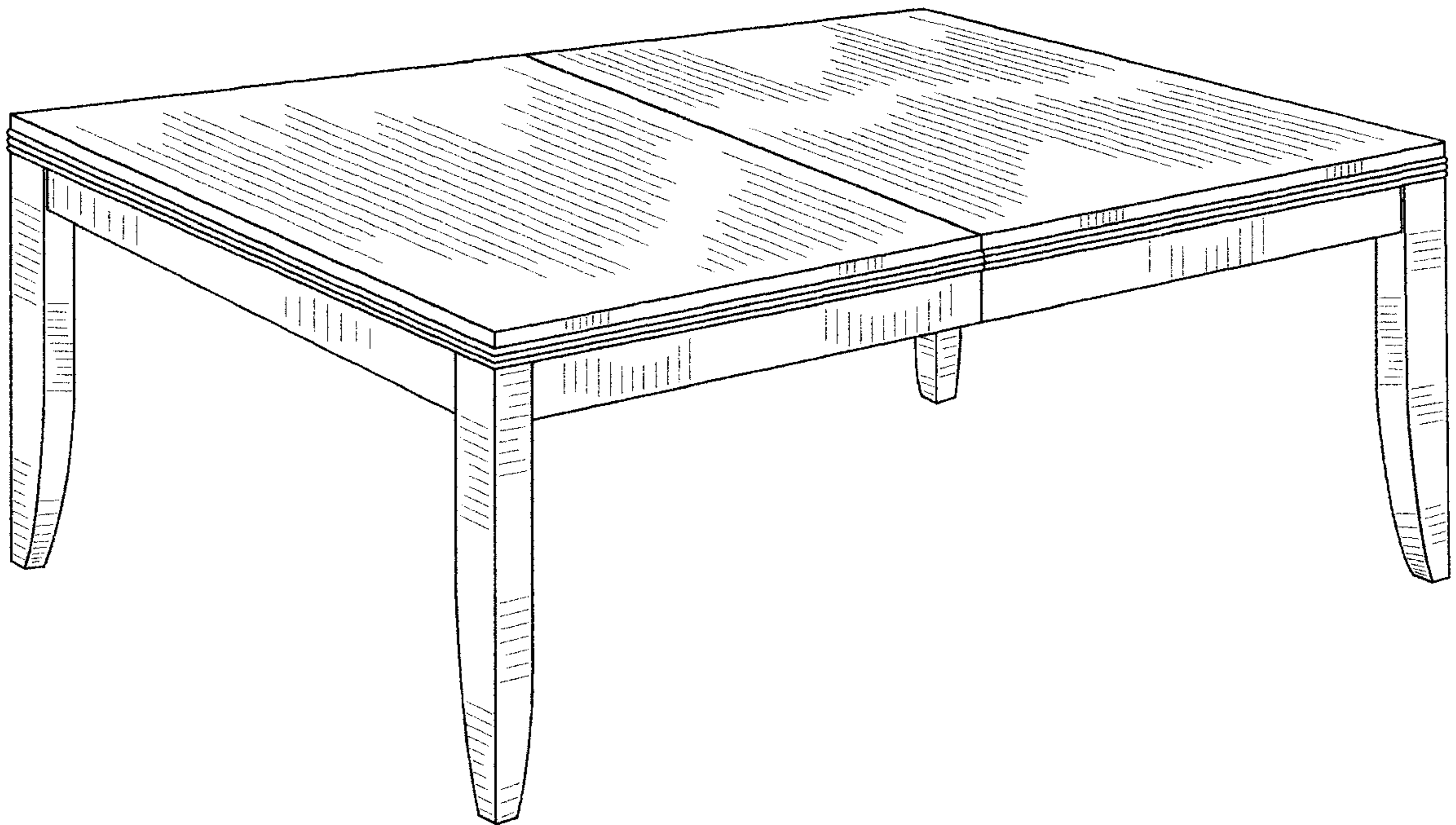
The ornamental design for a table, as shown.

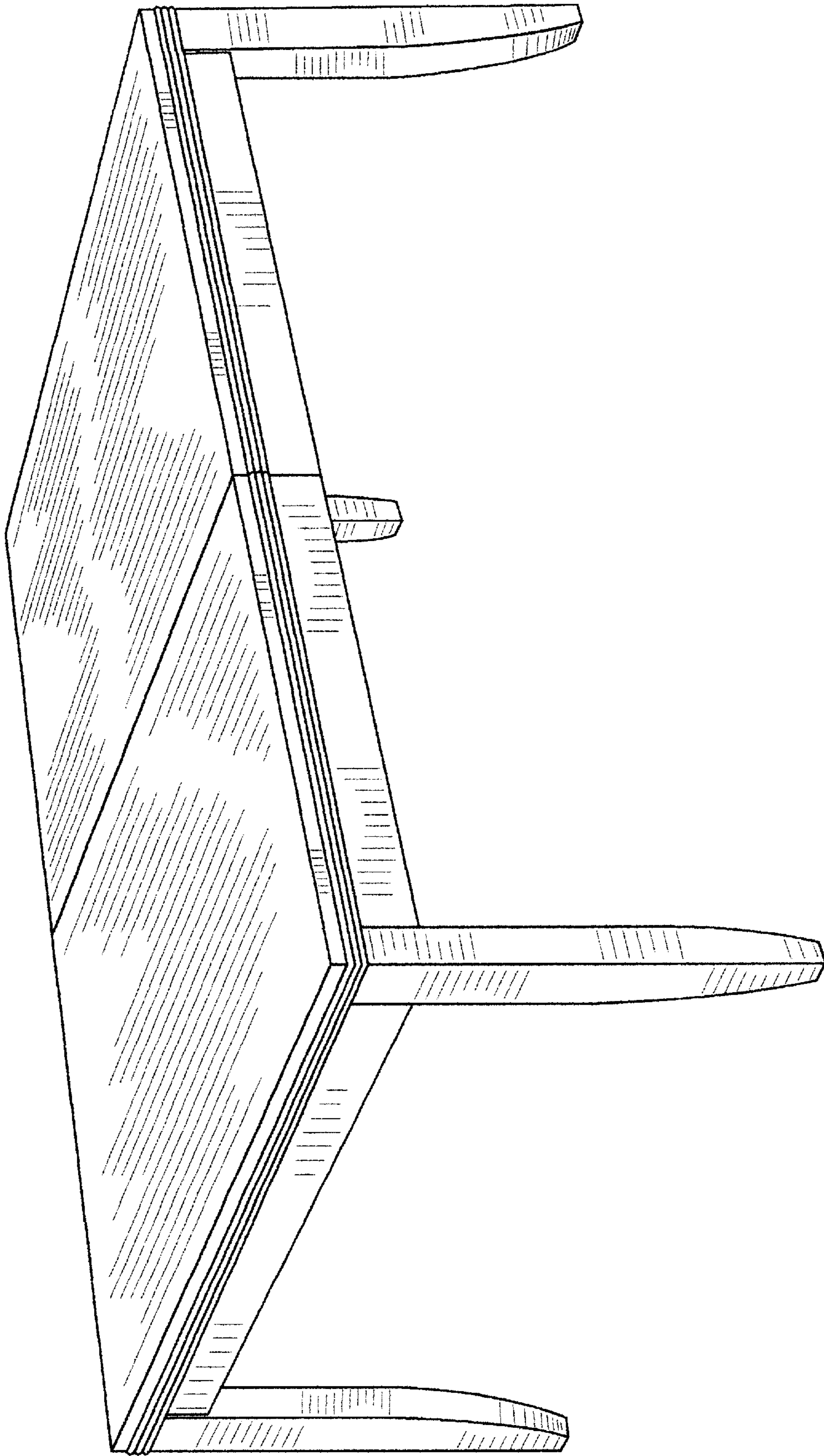
**DESCRIPTION**

FIG. 1 is a perspective view of a table;  
FIG. 2 is a side elevational view of the table;  
FIG. 3 is a top elevational view of the table;  
FIG. 4 is a bottom elevational view of the table; and,  
FIG. 5 is a front elevational view of the table (the rear view  
being the same as the front view).

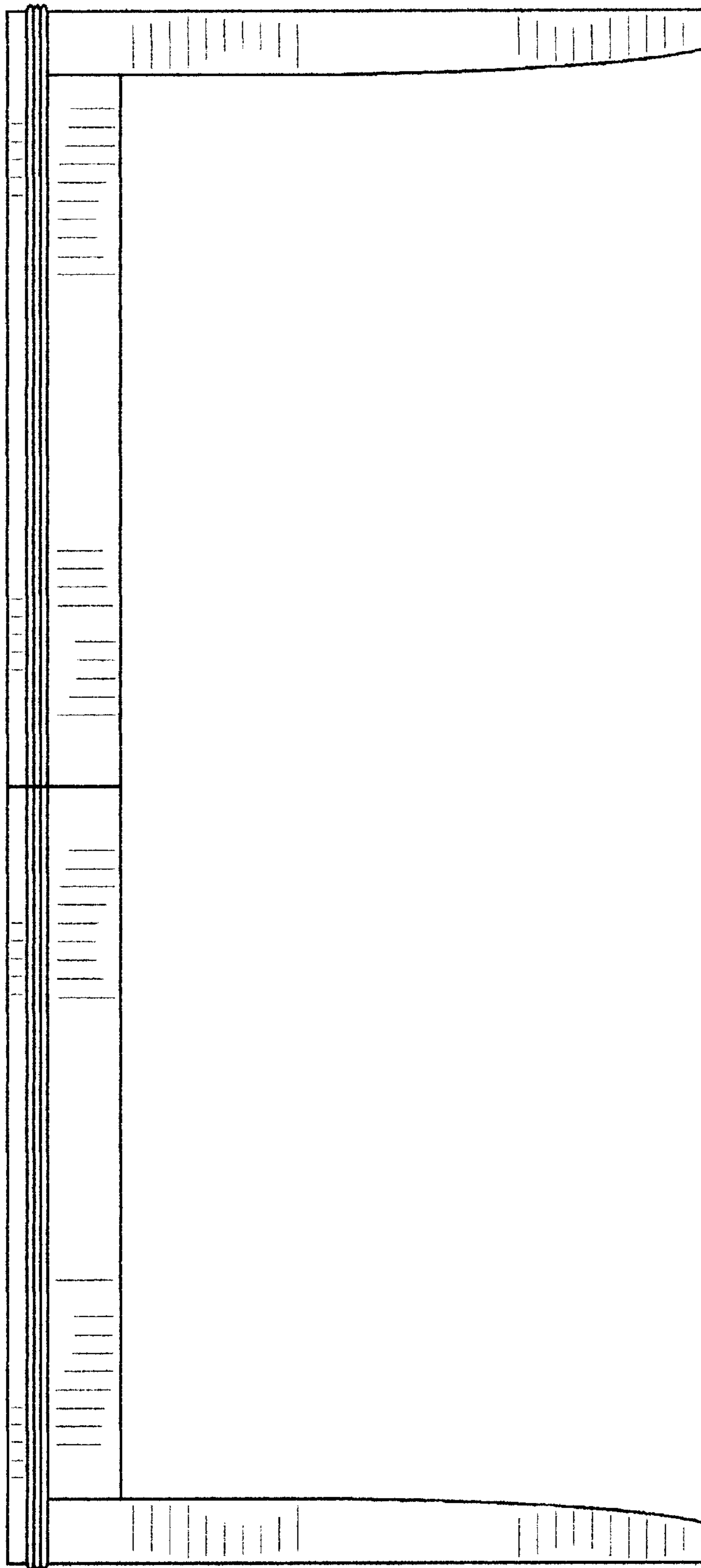
The broken lines are for environmental purposes only and  
form no part of the claimed design.

**1 Claim, 5 Drawing Sheets**

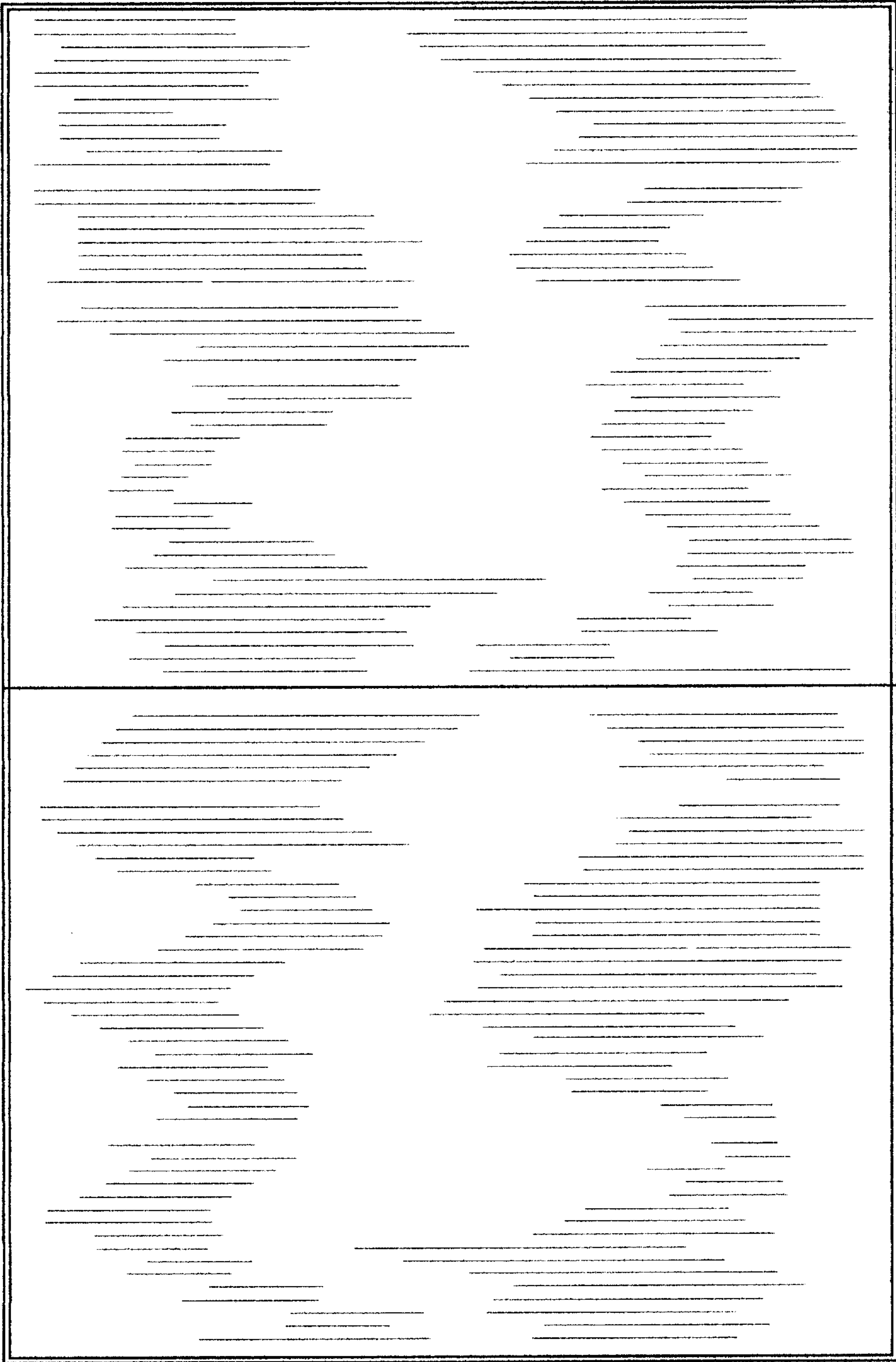




**FIG. 1**

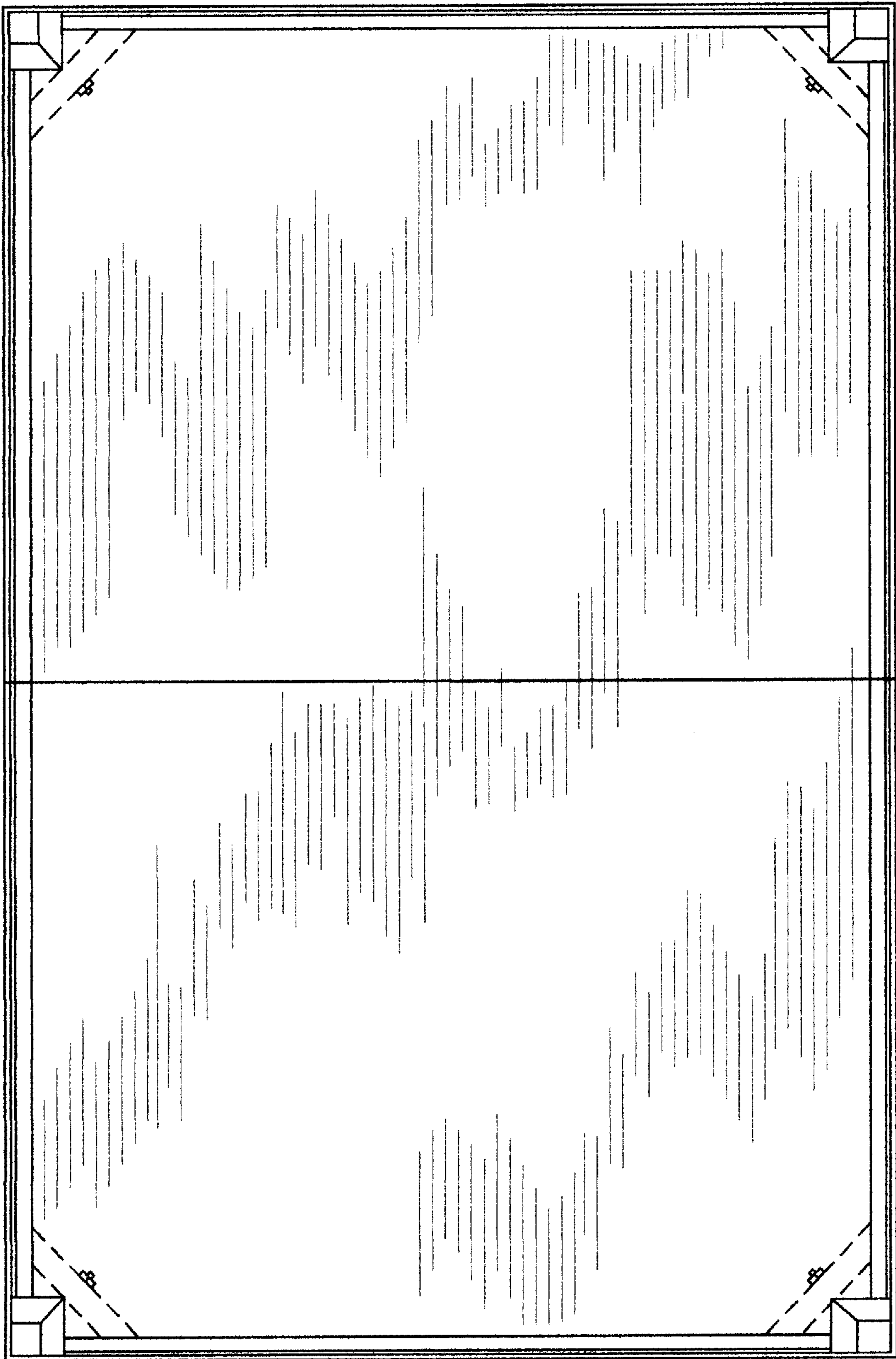


**FIG. 2**

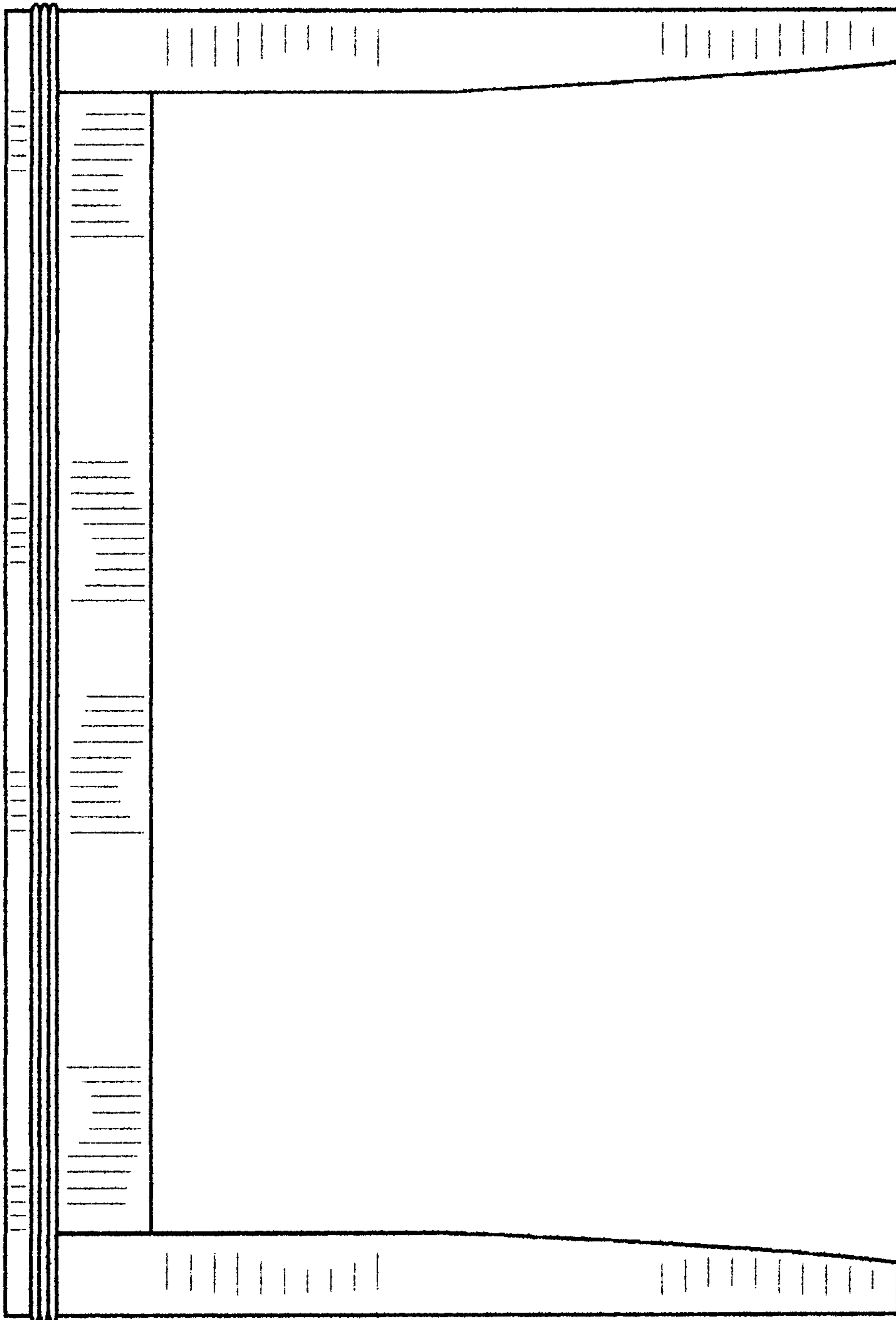


**FIG. 3**





**FIG. 4**



**FIG. 5**