



US00D453082S

(12) **United States Design Patent**  
**Kobe et al.**

(10) **Patent No.:** **US D453,082 S**

(45) **Date of Patent:** **\*\* Jan. 29, 2002**

(54) **TABLE**

(75) Inventors: **Tim Kobe**, San Mateo; **Wilhelm Oehl**,  
San Francisco; **Mike Ely**, Berkeley;  
**Mike Dolan**, San Francisco, all of CA  
(US)

(73) Assignee: **Apple Computer, Inc.**, Cupertino, CA  
(US)

(\*\*) Term: **14 Years**

(21) Appl. No.: **29/135,006**

(22) Filed: **Jan. 4, 2001**

(51) **LOC (7) Cl.** ..... **06-03**

(52) **U.S. Cl.** ..... **D6/480**; D6/421

(58) **Field of Search** ..... D6/480-489, 495-496,  
D6/421; 108/150; 312/140.2, 238, 239

(56) **References Cited**

**U.S. PATENT DOCUMENTS**

D168,464 S \* 12/1952 Levinger ..... D6/455  
D226,467 S \* 3/1973 Edwards ..... D6/421

D241,747 S \* 10/1976 King ..... D6/421  
D257,705 S \* 12/1980 Frammer ..... D6/421  
D307,081 S \* 4/1990 Allen ..... D6/421

\* cited by examiner

*Primary Examiner*—Janice E. Seeger

(74) *Attorney, Agent, or Firm*—Burns, Doane, Swecker &  
Mathis, L.L.P.

(57) **CLAIM**

The ornamental design for a table, as shown and described.

**DESCRIPTION**

FIG. 1 is a front perspective view of a table showing our new  
design;

FIG. 2 is a front elevational view thereof;

FIG. 3 is a rear elevational view thereof;

FIG. 4 is a top plan view thereof;

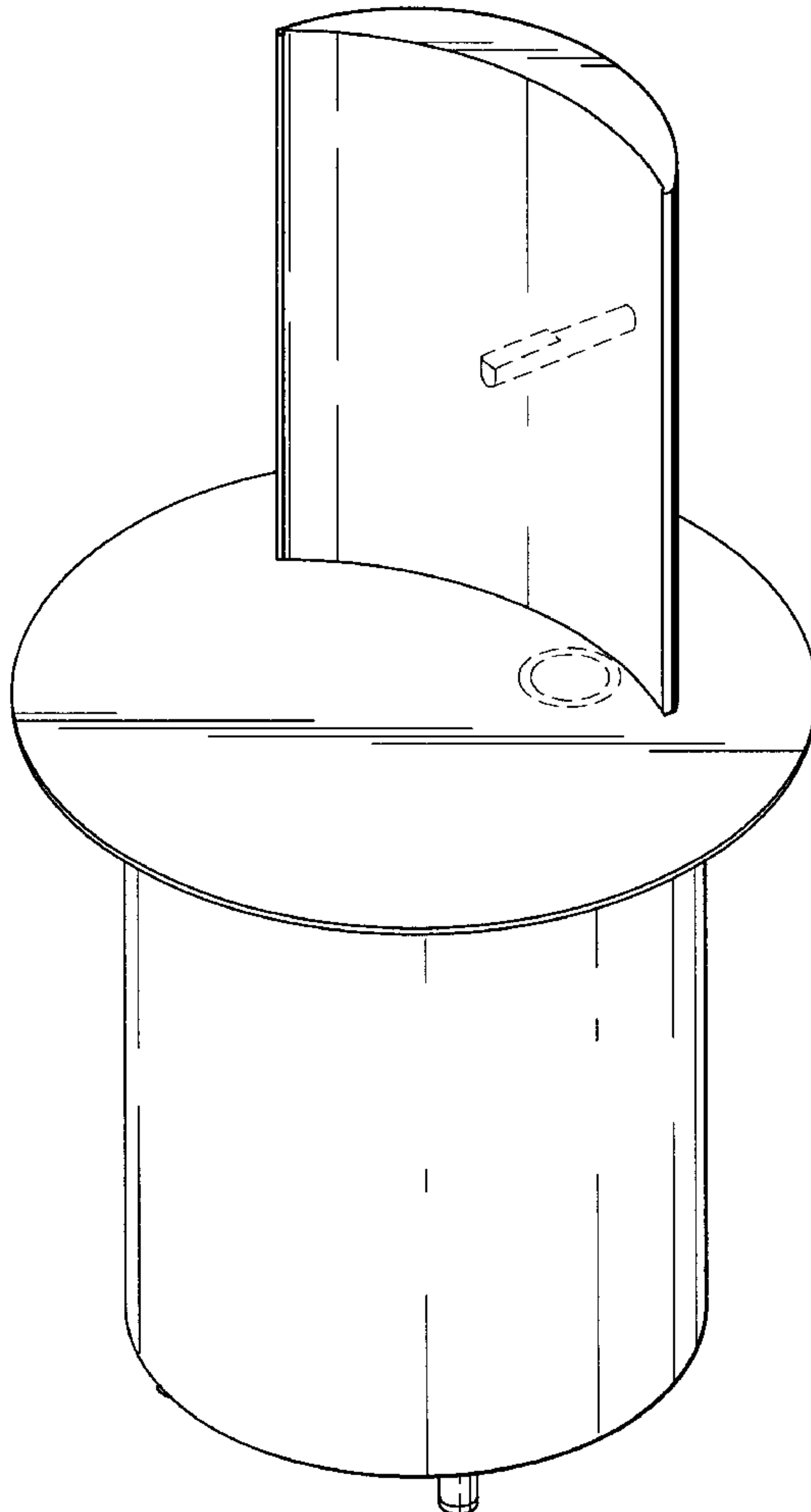
FIG. 5 is a bottom plan view thereof;

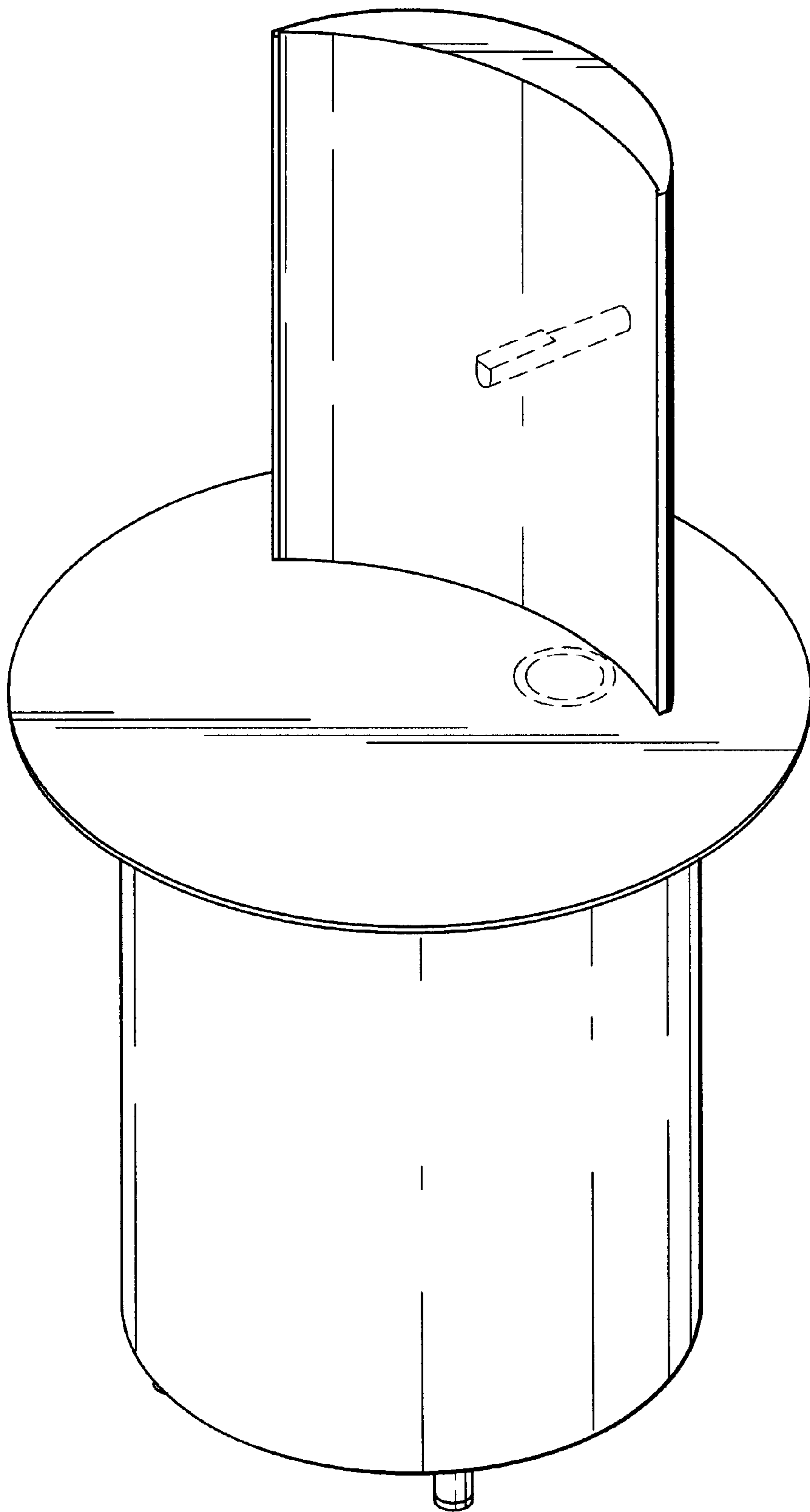
FIG. 6 is a right side elevational view thereof; and,

FIG. 7 is a left side elevational view thereof.

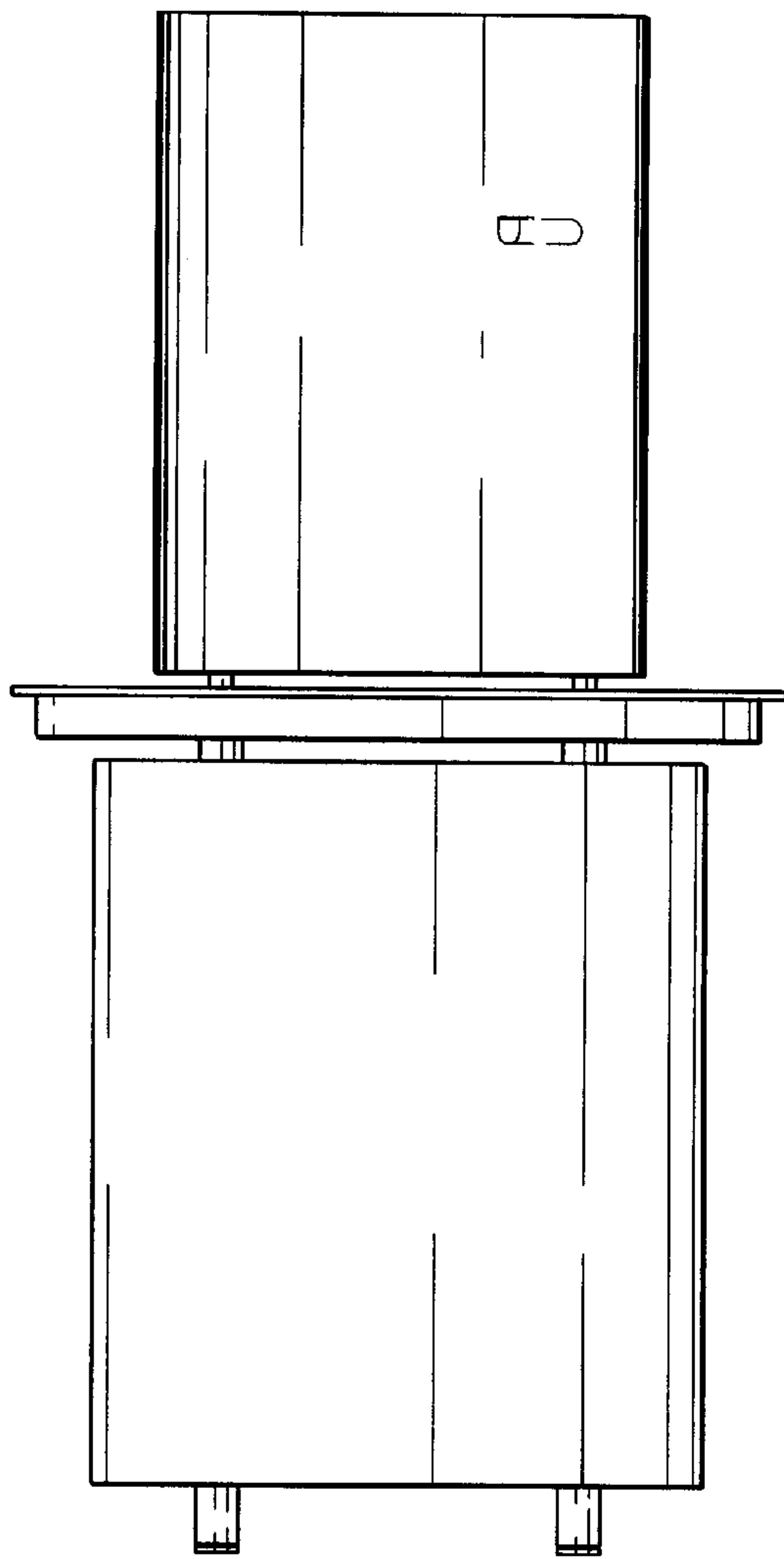
The broken line showing of various features is for illustra-  
tive purposes only and forms no part of the claimed design.

**1 Claim, 3 Drawing Sheets**

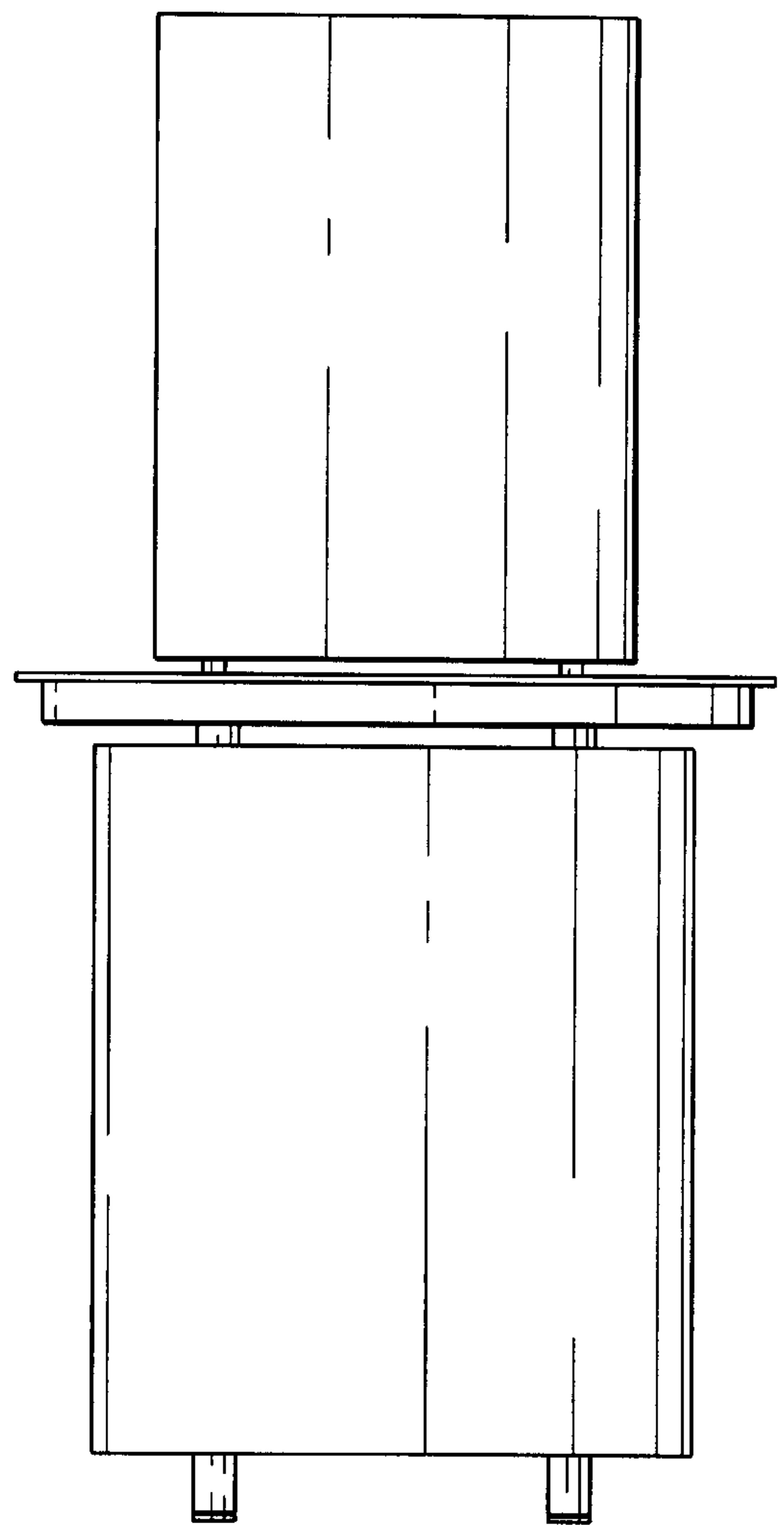




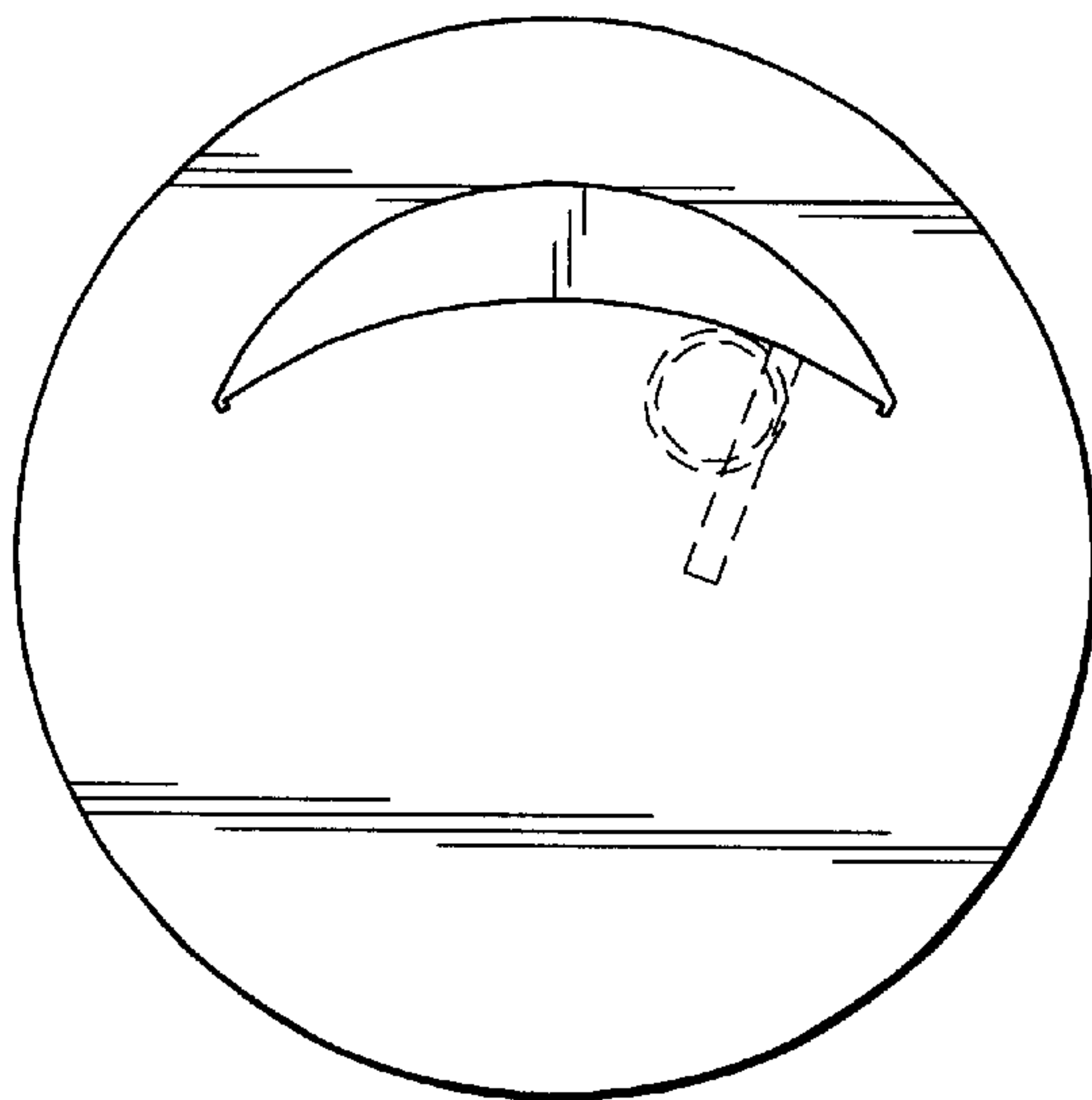
**FIG. 1**



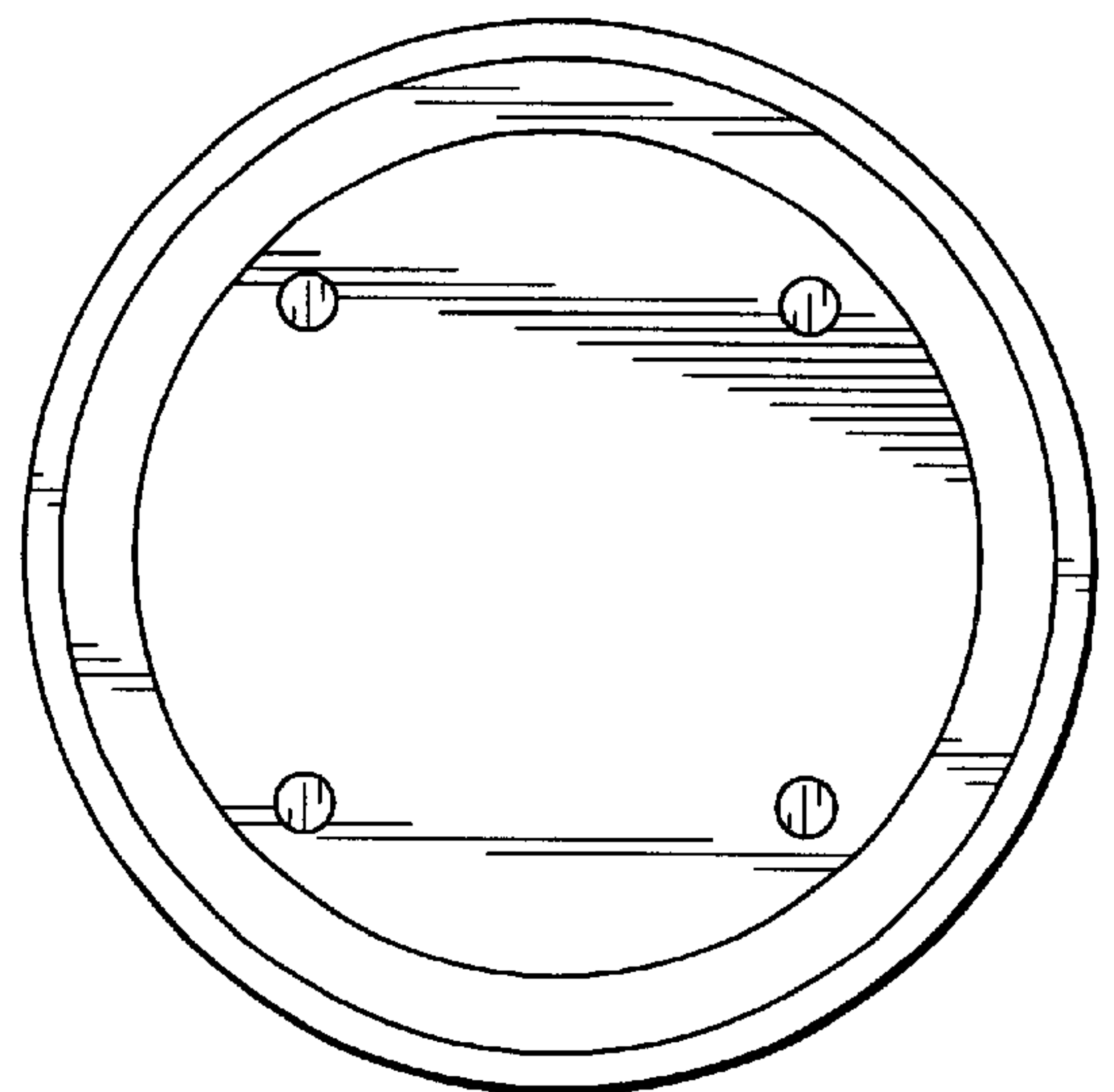
**FIG. 2**



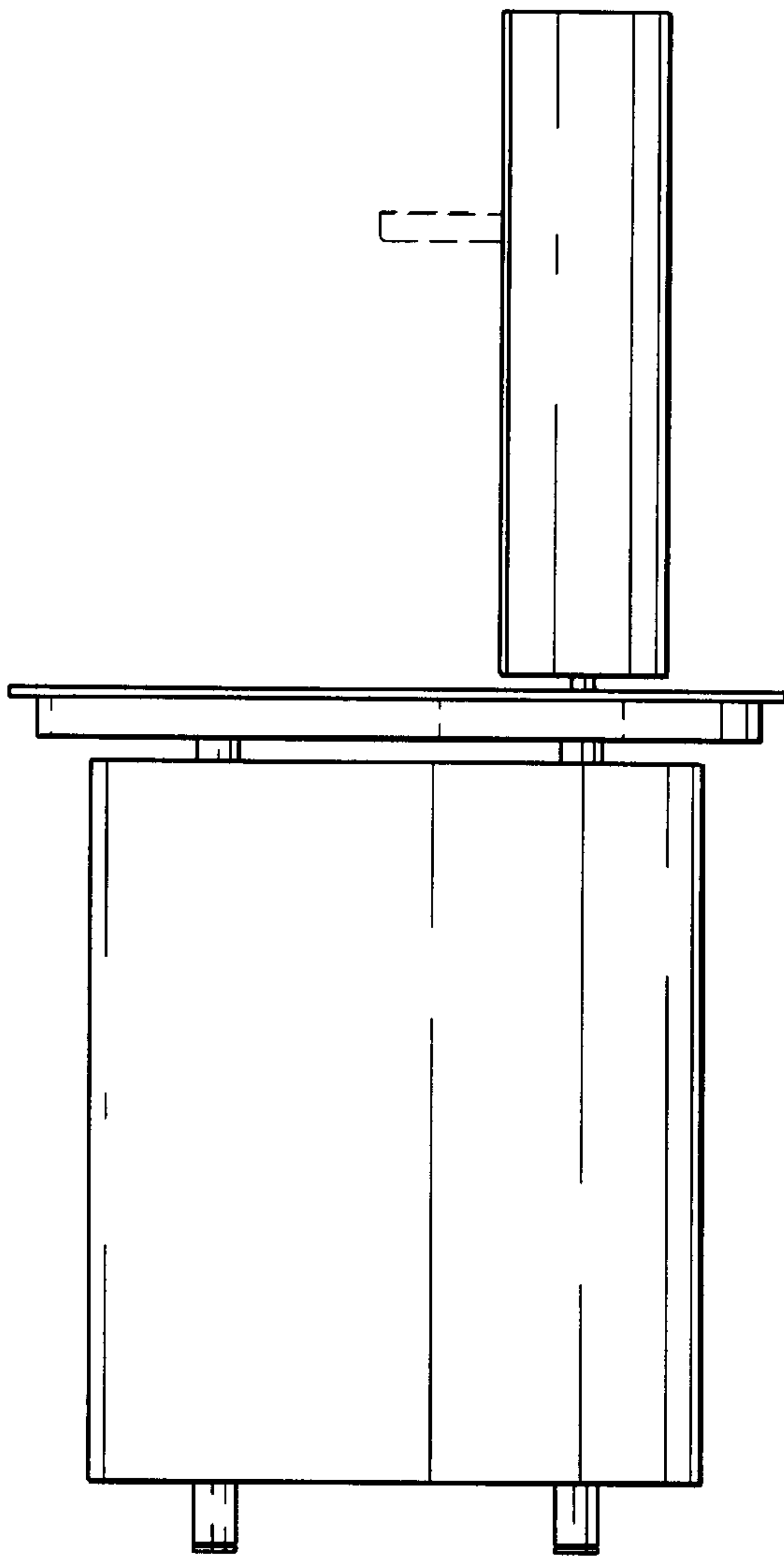
**FIG. 3**



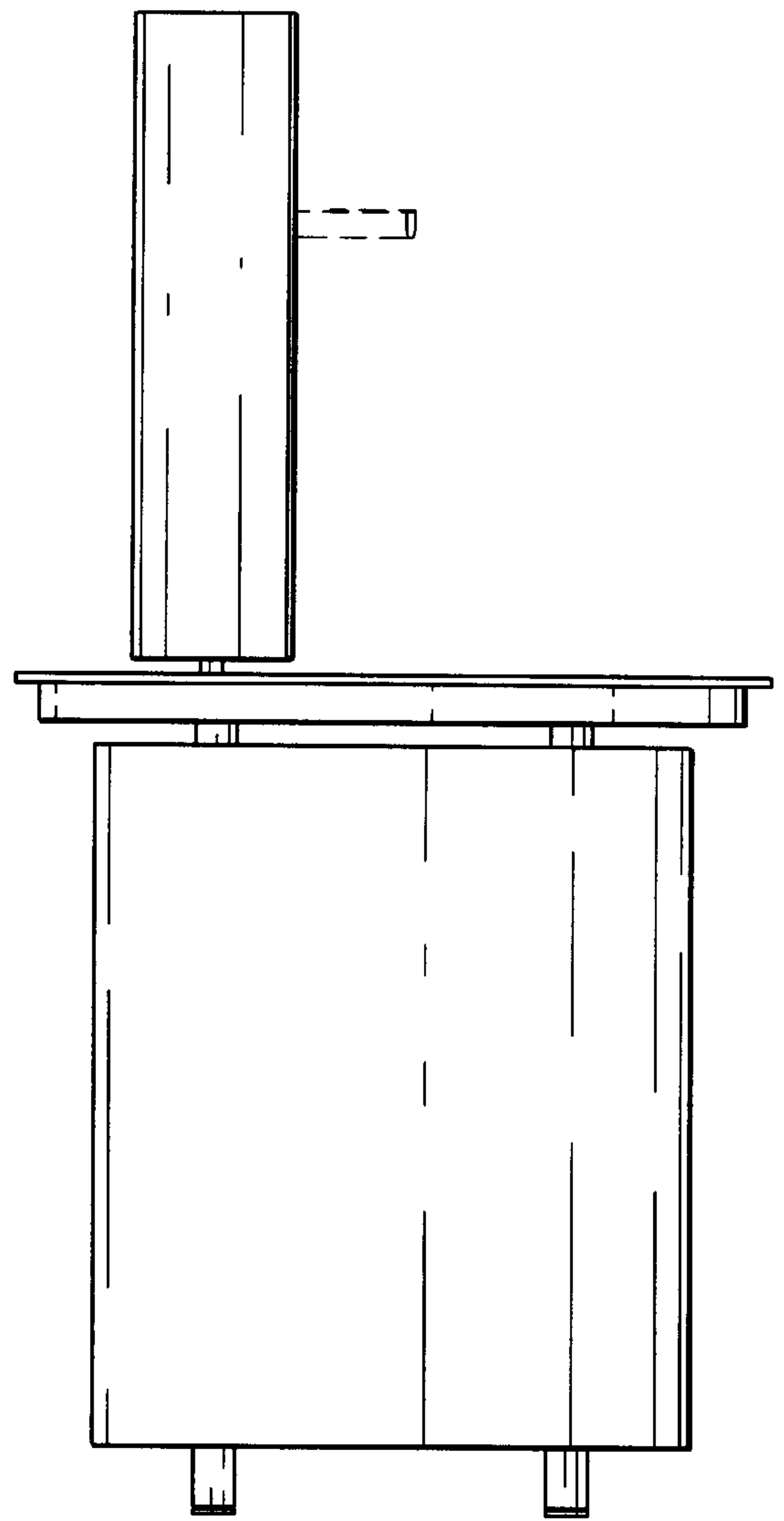
**FIG. 4**



**FIG. 5**



**FIG. 6**



**FIG. 7**