



US00D453080S

(12) **United States Design Patent**
Lantigua et al.

(10) **Patent No.:** **US D453,080 S**
(45) **Date of Patent:** **** Jan. 29, 2002**

(54) **CHAIR**

D325,677 S * 4/1992 Fong D6/369

(76) Inventors: **Rolando Lantigua; Carlos Taveres,**
both of One Nagle Ave., New York, NY
(US) 10040

(**) Term: **14 Years**

(21) Appl. No.: **29/137,195**

(22) Filed: **Feb. 14, 2001**

(51) **LOC (7) Cl.** **06-01**

(52) **U.S. Cl.** **D6/369**

(58) **Field of Search** D6/334, 369, 370,
D6/374, 376, 379, 380, 500, 501, 502;
297/445.1, 451.9, 452.64

(56) **References Cited**

U.S. PATENT DOCUMENTS

D78,304 S * 4/1929 Mizner D6/369
D181,011 S * 9/1957 Lubberts et al. D6/369
D282,984 S * 3/1986 Bart D6/369

OTHER PUBLICATIONS

Superior Reed & Rattan, p. 21, Chair # 776 Shown.*

* cited by examiner

Primary Examiner—Gary D. Watson

(74) *Attorney, Agent, or Firm*—Alfred M. Walker

(57) **CLAIM**

The ornamental design for a chair, as shown and described.

DESCRIPTION

FIG. 1 is a perspective view of a chair, showing our new design;

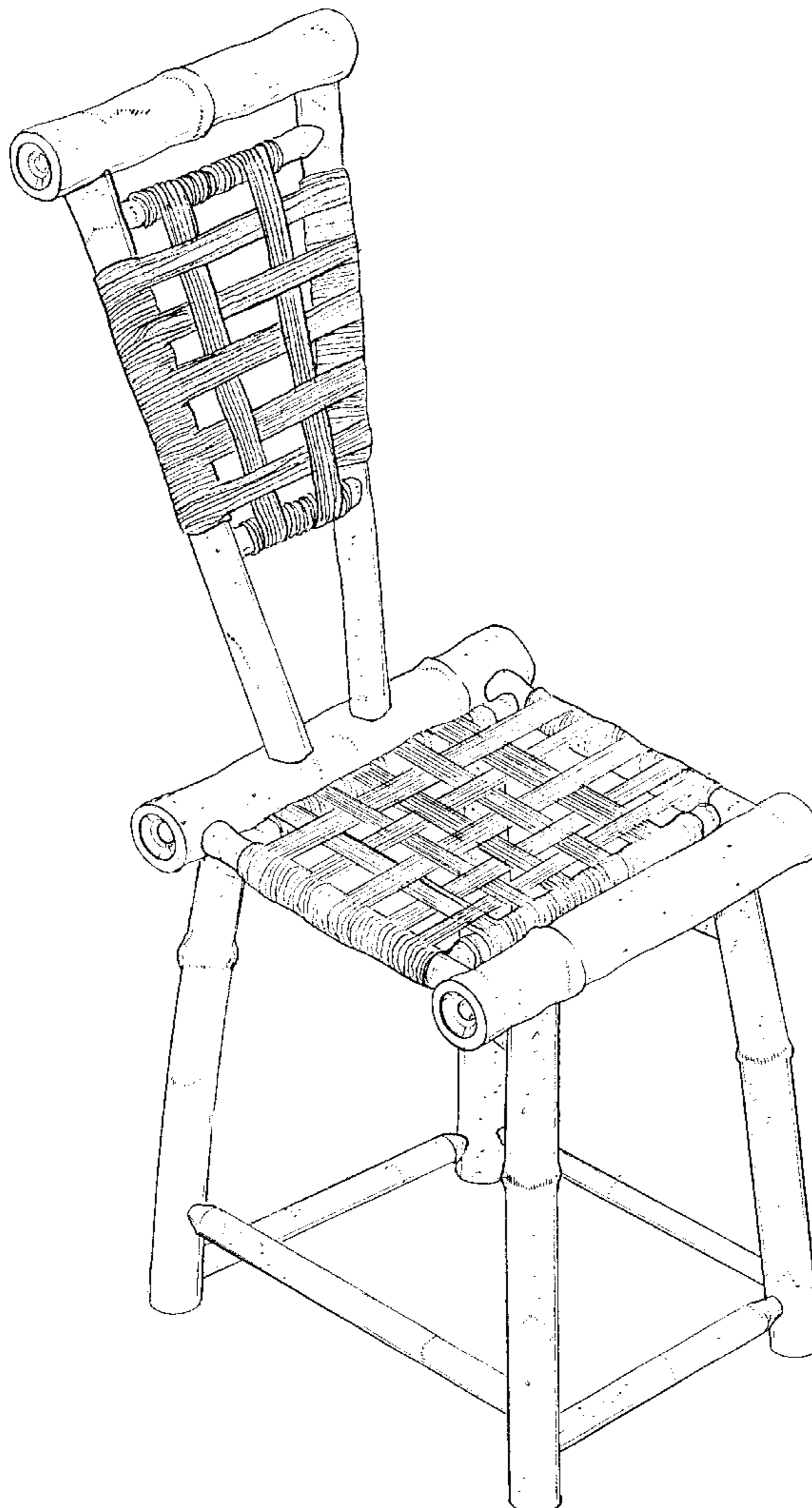
FIG. 2 is a front elevation view thereof;

FIG. 3 is a rear elevational view thereof;

FIG. 4 is a left side elevational view thereof; the right side being a mirror image thereof; and,

FIG. 5 is a top plan view thereof.

1 Claim, 2 Drawing Sheets



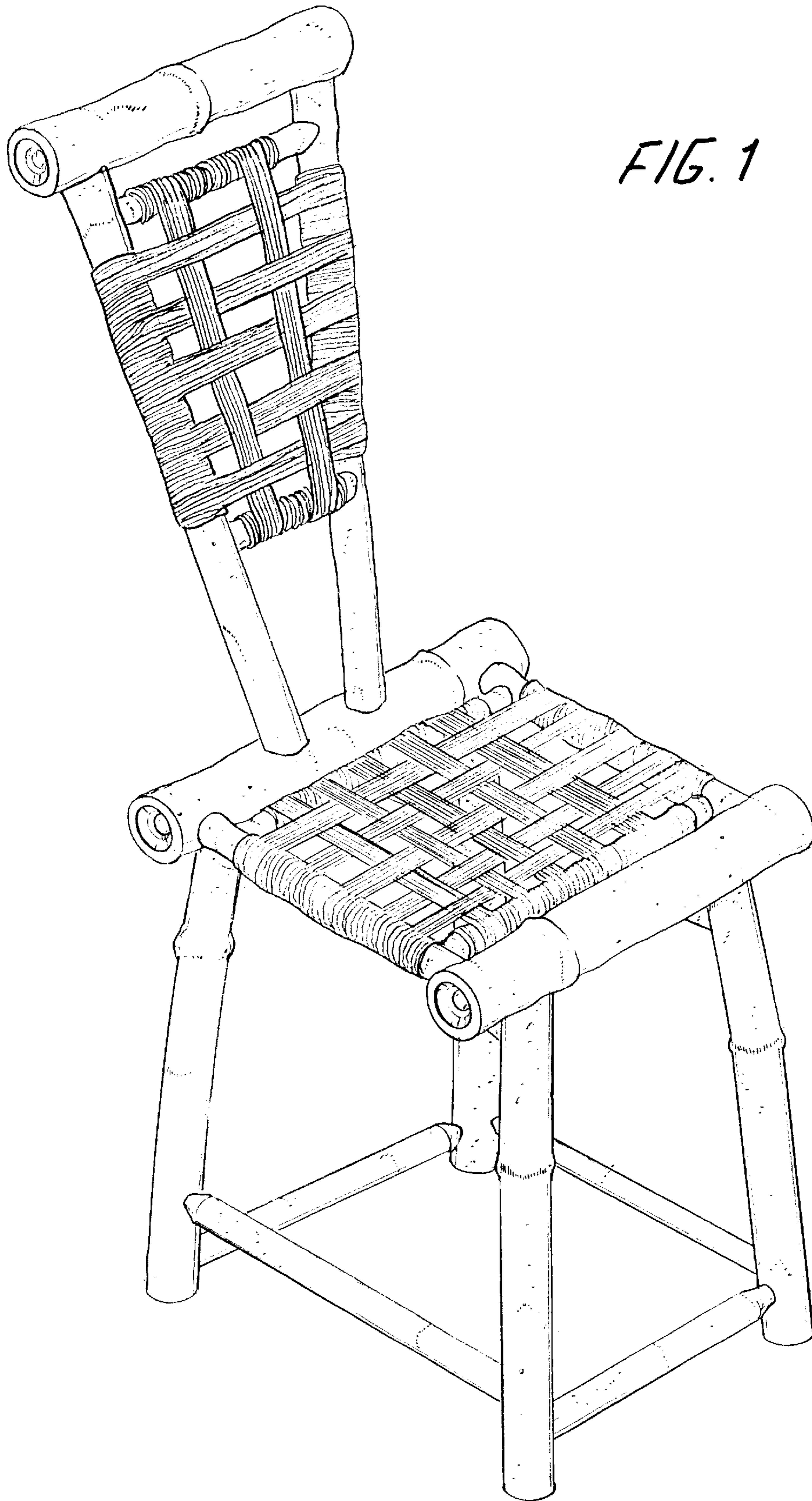


FIG. 1

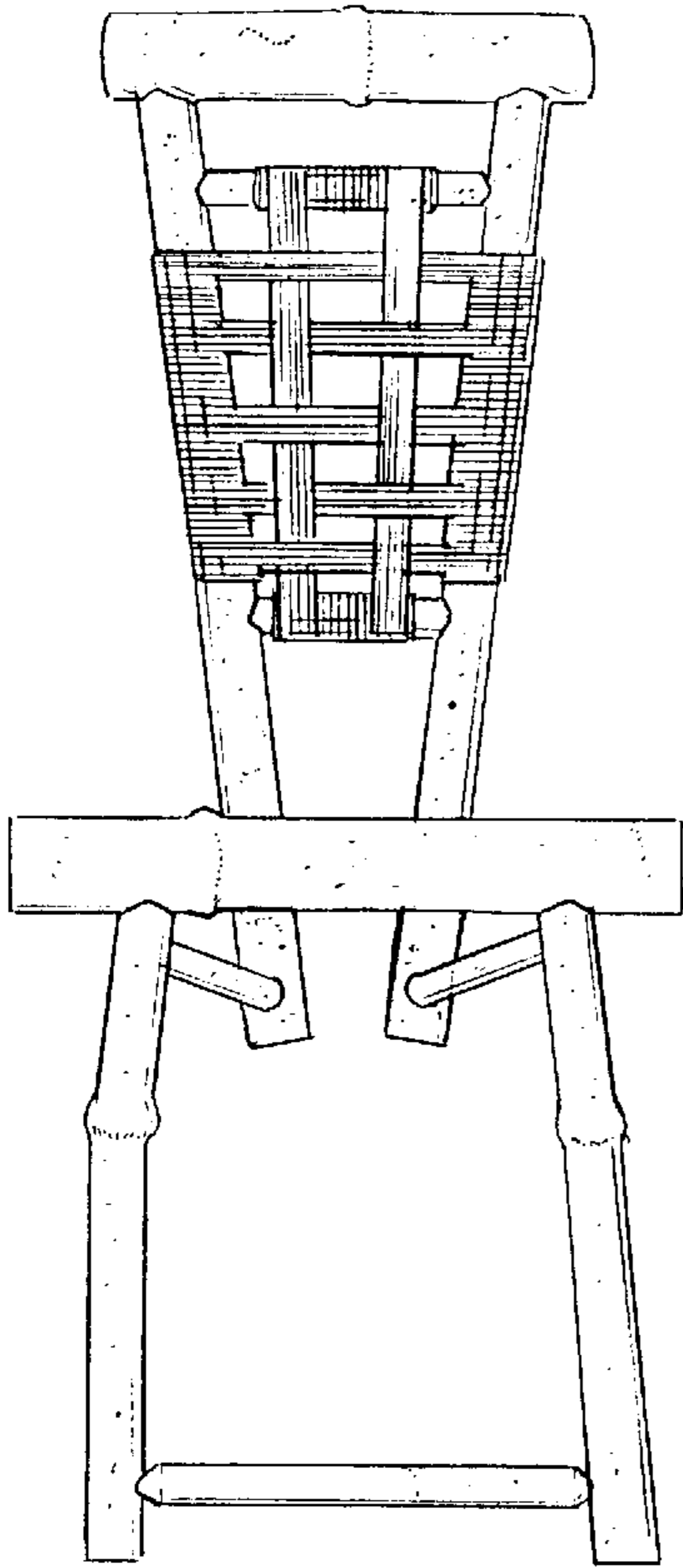


FIG. 2

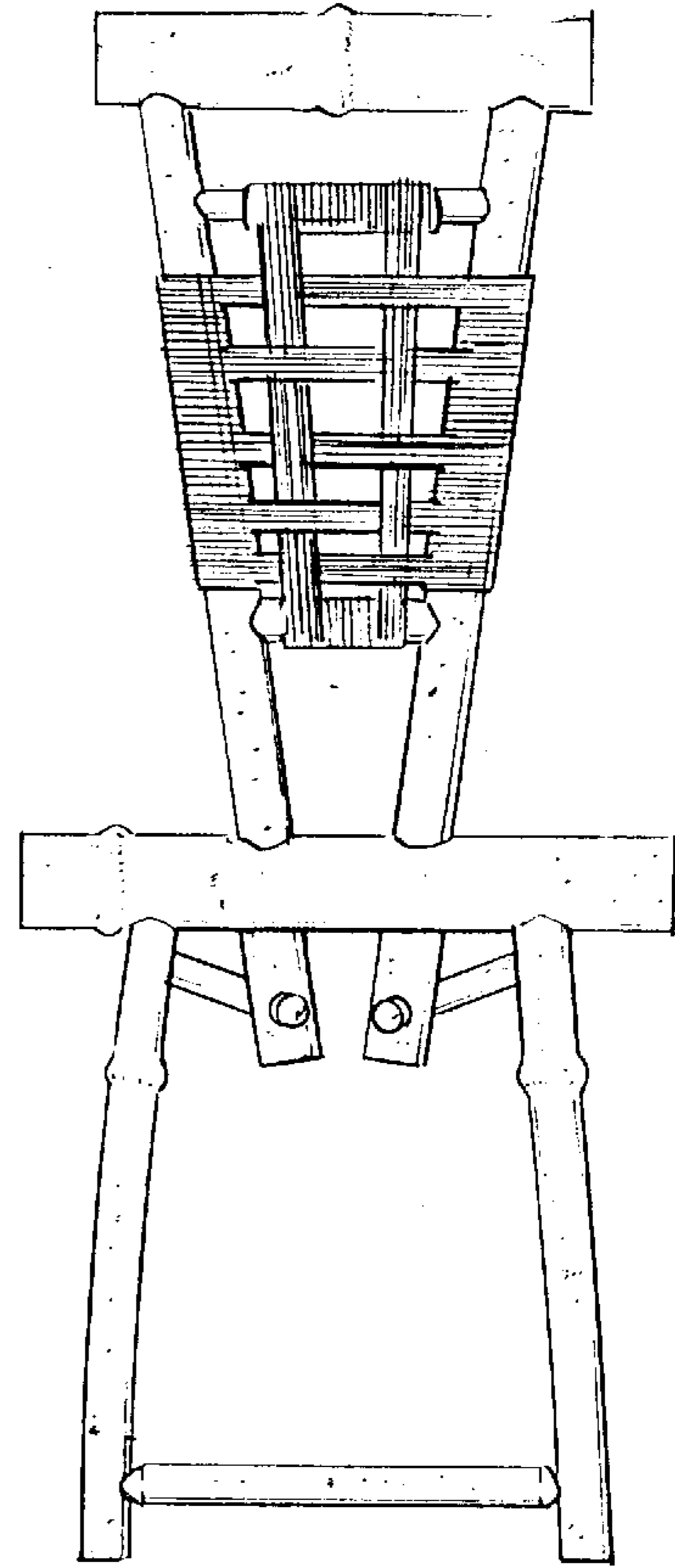


FIG. 3

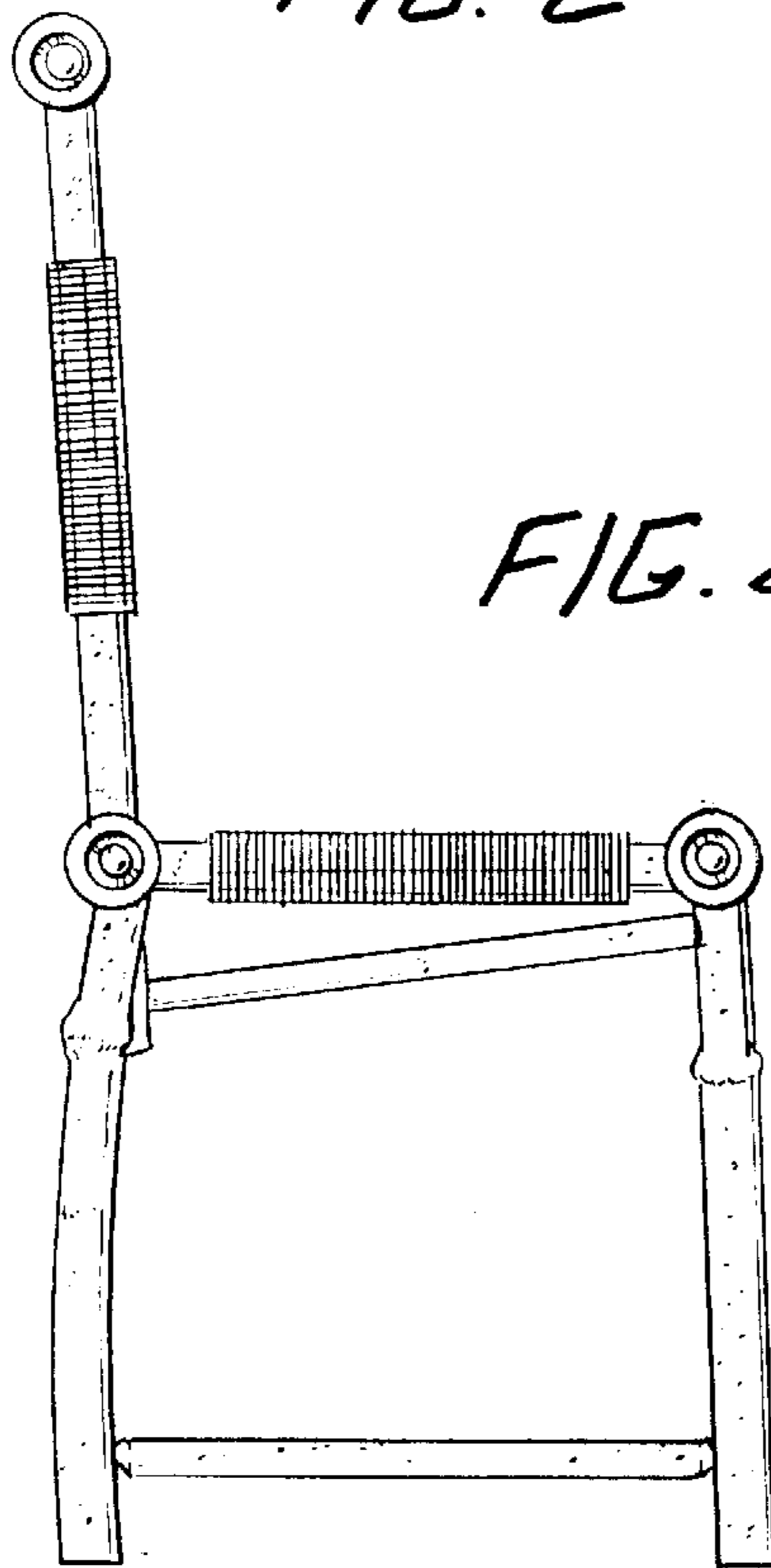


FIG. 4

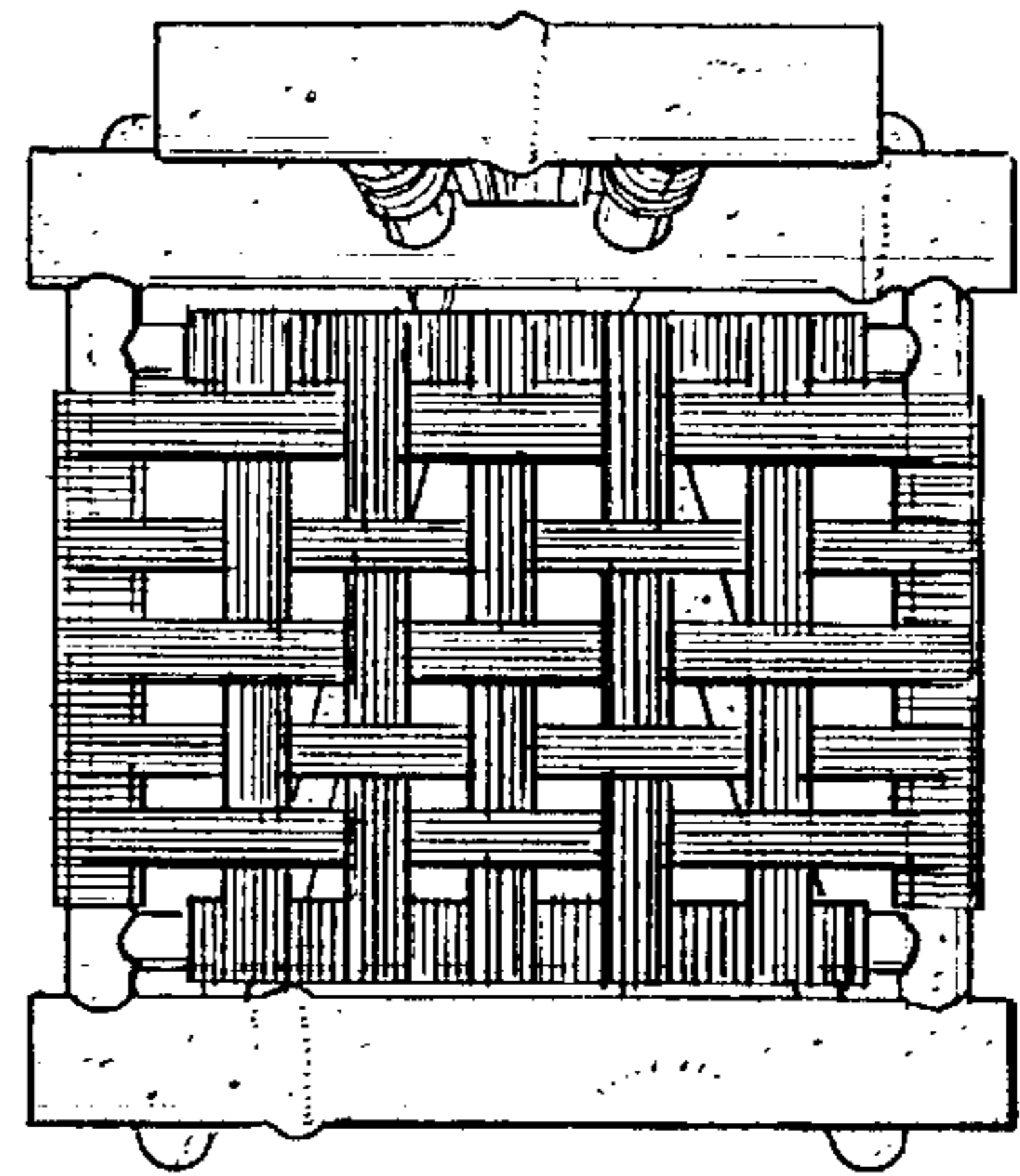


FIG. 5