



US00D453075S

(12) **United States Design Patent**
Liu

(10) **Patent No.:** **US D453,075 S**

(45) **Date of Patent:** **** Jan. 29, 2002**

(54) **SNOW BRUSH**

D335,771 S * 5/1993 Mallory et al. D4/118

(76) Inventor: **Te-Ching Liu**, P.O. Box 96-405, Taipei
106 (TW)

* cited by examiner

(**) Term: **14 Years**

Primary Examiner—Alan P. Douglas

Assistant Examiner—Lavone Tabor

(21) Appl. No.: **29/125,799**

(57) **CLAIM**

(22) Filed: **Jun. 26, 2000**

The ornamental design for a snow brush, as shown and described.

(51) **LOC (7) Cl.** **04-01**

DESCRIPTION

(52) **U.S. Cl.** **D4/118; D4/132; D32/42**

(58) **Field of Search** D4/115, 116, 132,
D4/138, 134; D32/42, 49; 15/105, 111,
117, 144.1, 144.4, 143.1, 159.1, 160; 16/110.1,
430, 431

FIG. 1 is a perspective view of a snow brush showing my new design;

FIG. 2 is an enlarged top plan view thereof;

FIG. 3 is a bottom plan view of FIG. 2;

FIG. 4 is a front elevational view of FIG. 2;

FIG. 5 is a rear elevational view of FIG. 2;

FIG. 6 is a left side elevational view of FIG. 2; and,

FIG. 7 is a right side view of FIG. 2.

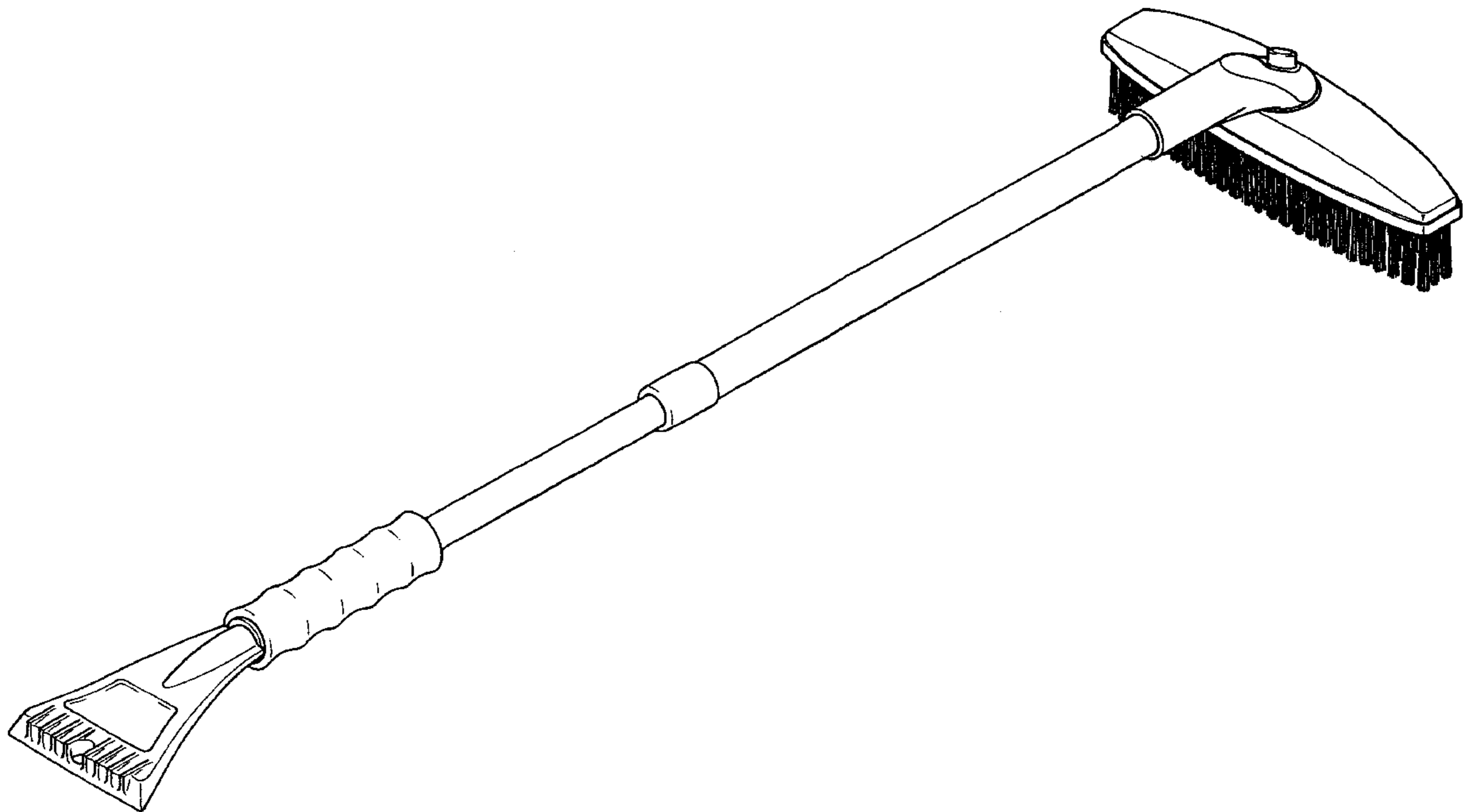
The handle is shown broken away in FIGS. 2-5 for ease of illustration.

(56) **References Cited**

U.S. PATENT DOCUMENTS

- 4,302,862 A * 12/1981 Machacek et al. 15/117
- D290,553 S * 6/1987 Clivio et al. D4/115
- 4,908,900 A * 3/1990 McLaughlin et al. 15/111
- D311,645 S * 10/1990 Warwick et al. D4/115

1 Claim, 5 Drawing Sheets



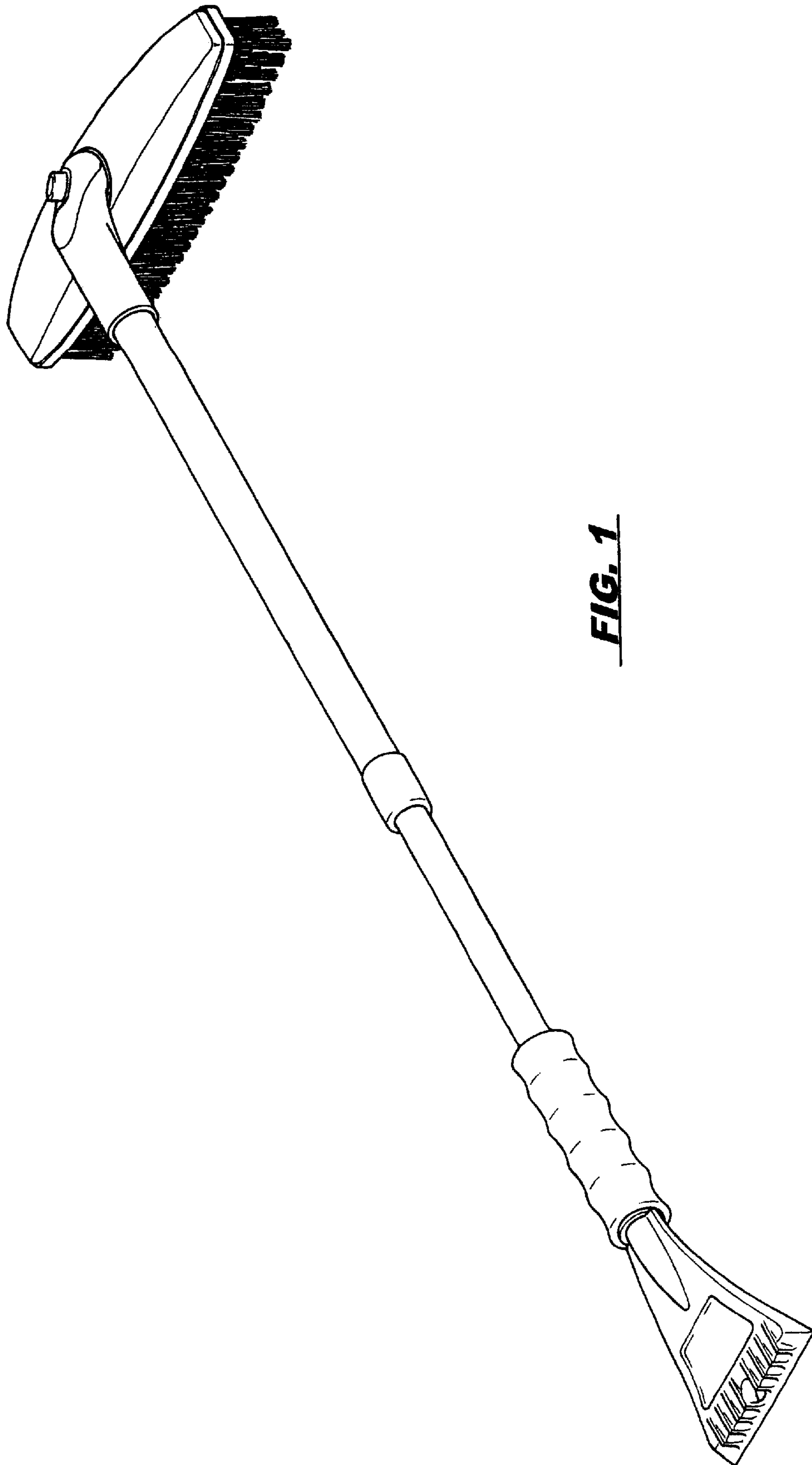


FIG. 1

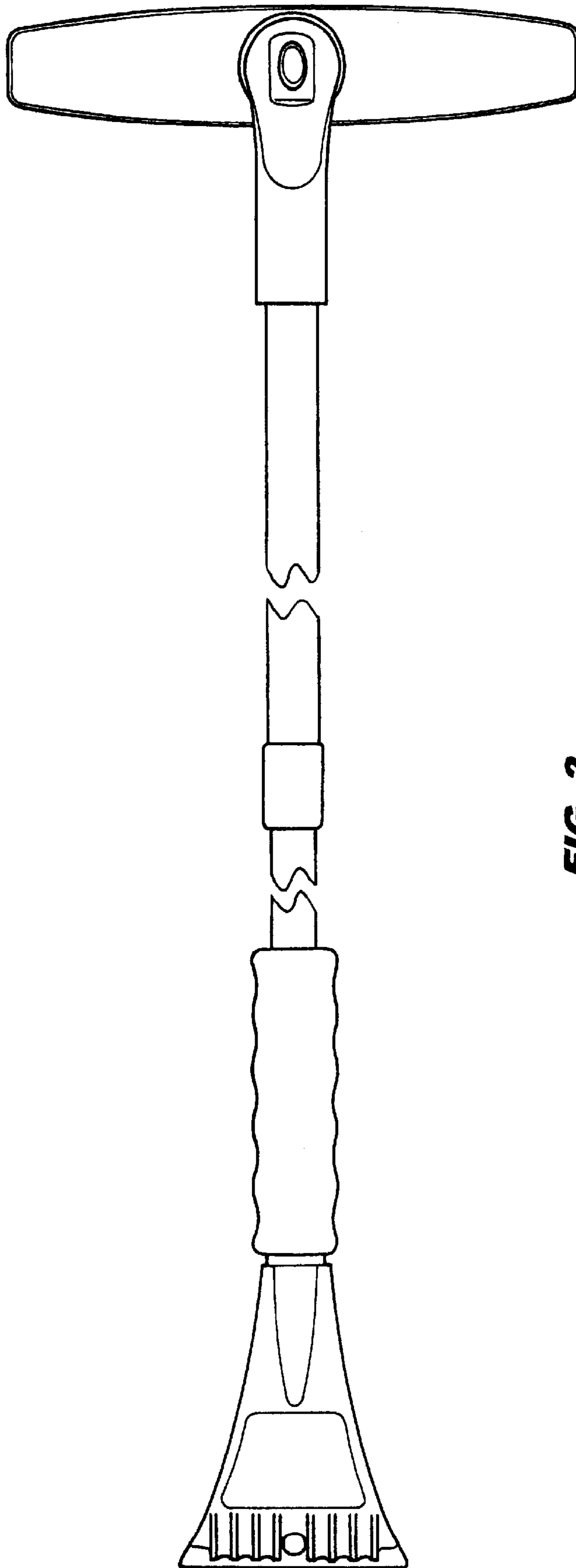


FIG. 2

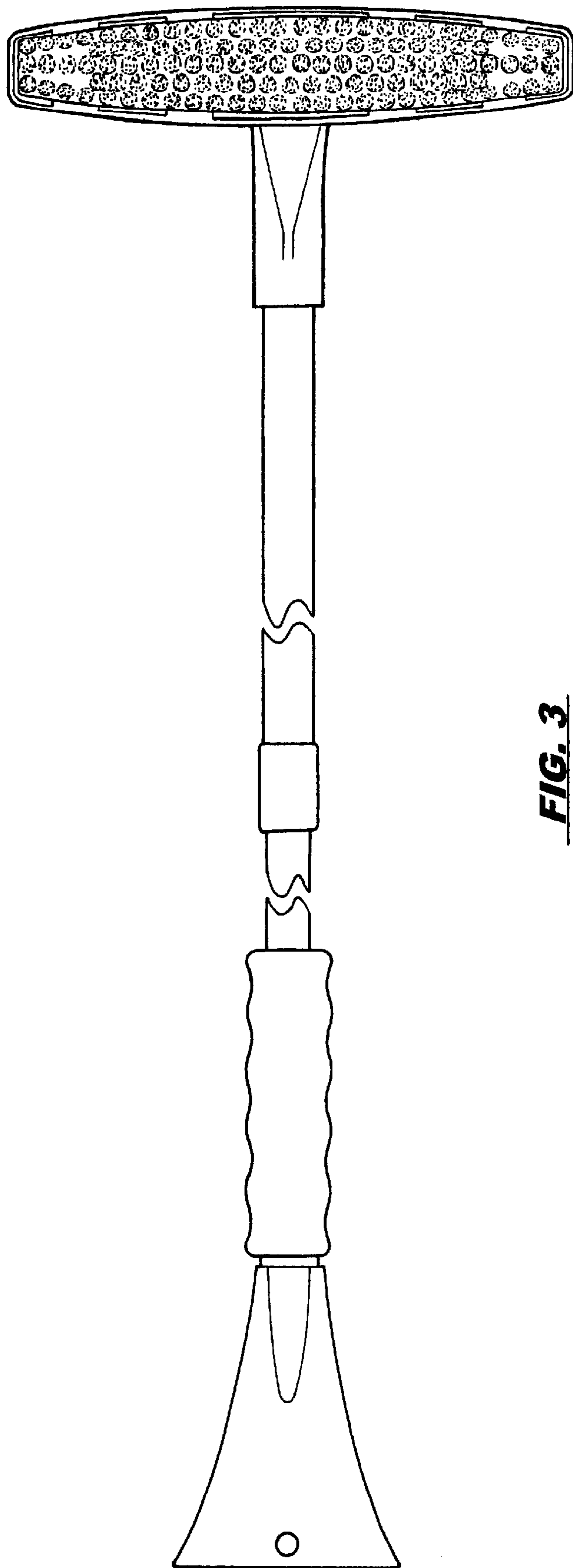


FIG. 3

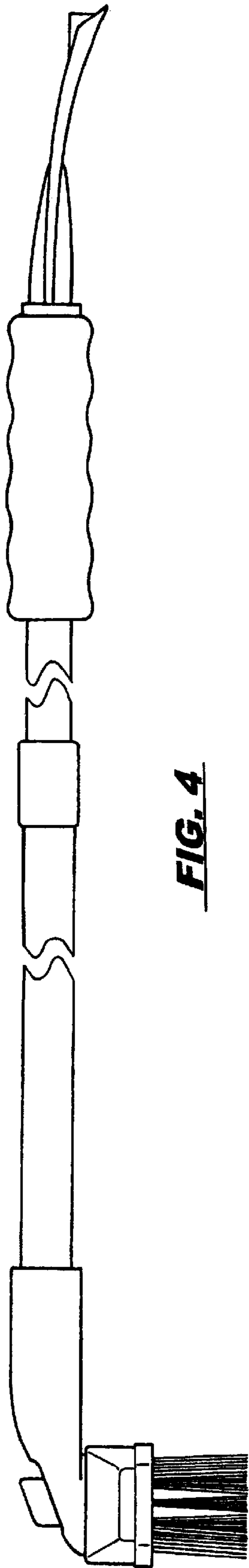


FIG. 4

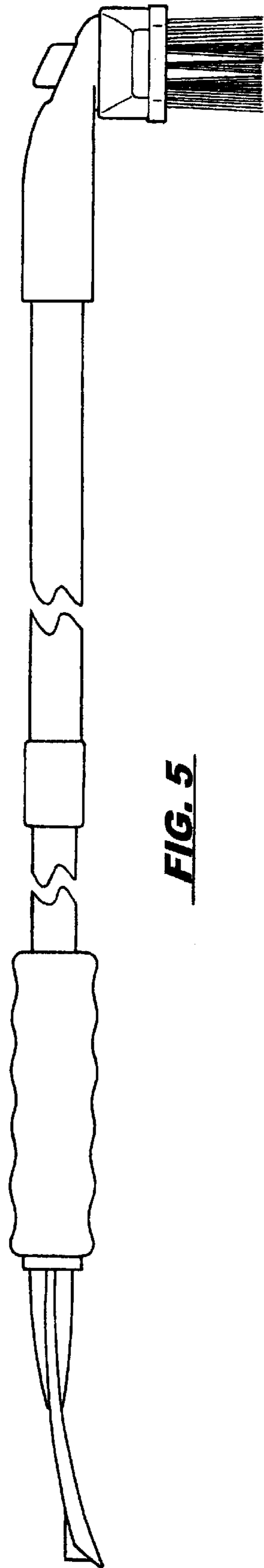


FIG. 5

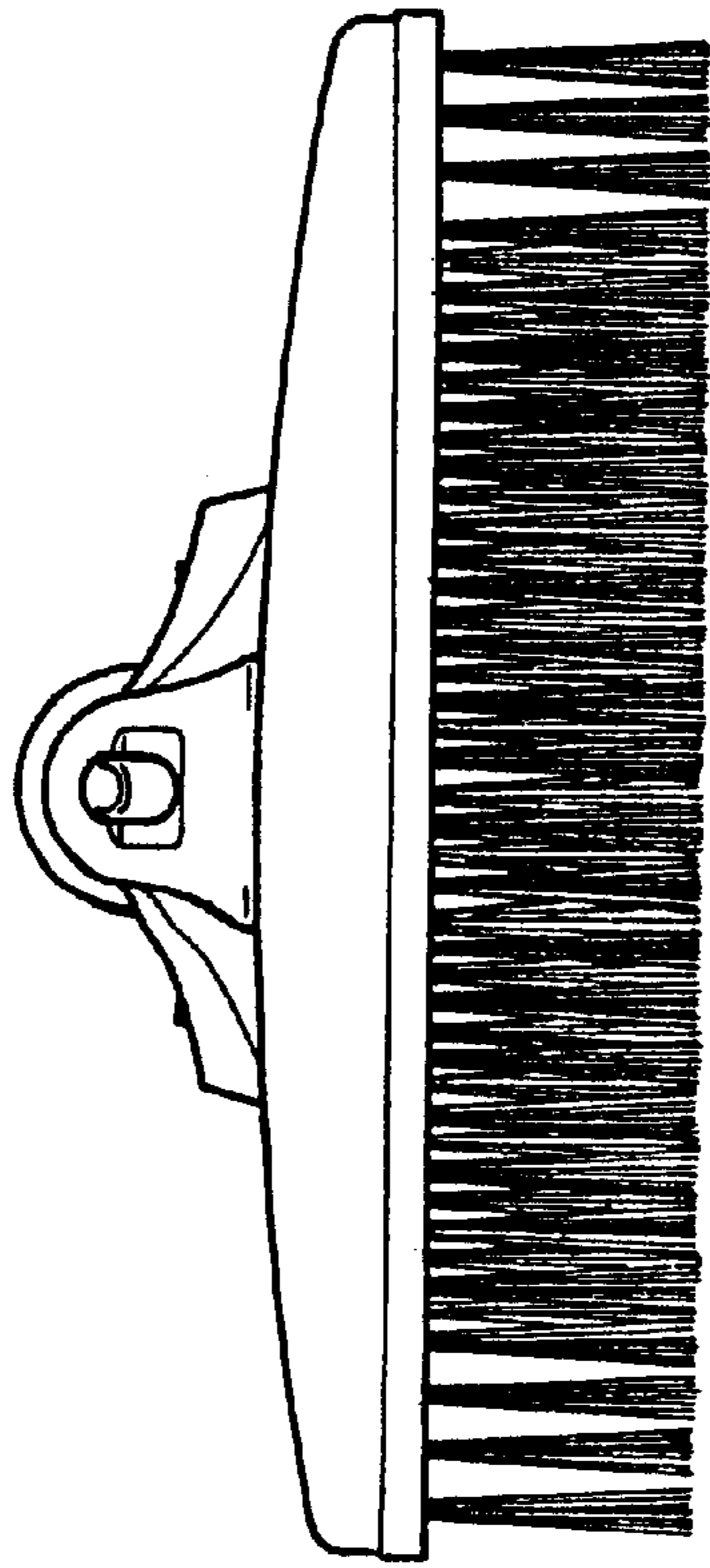


FIG. 6

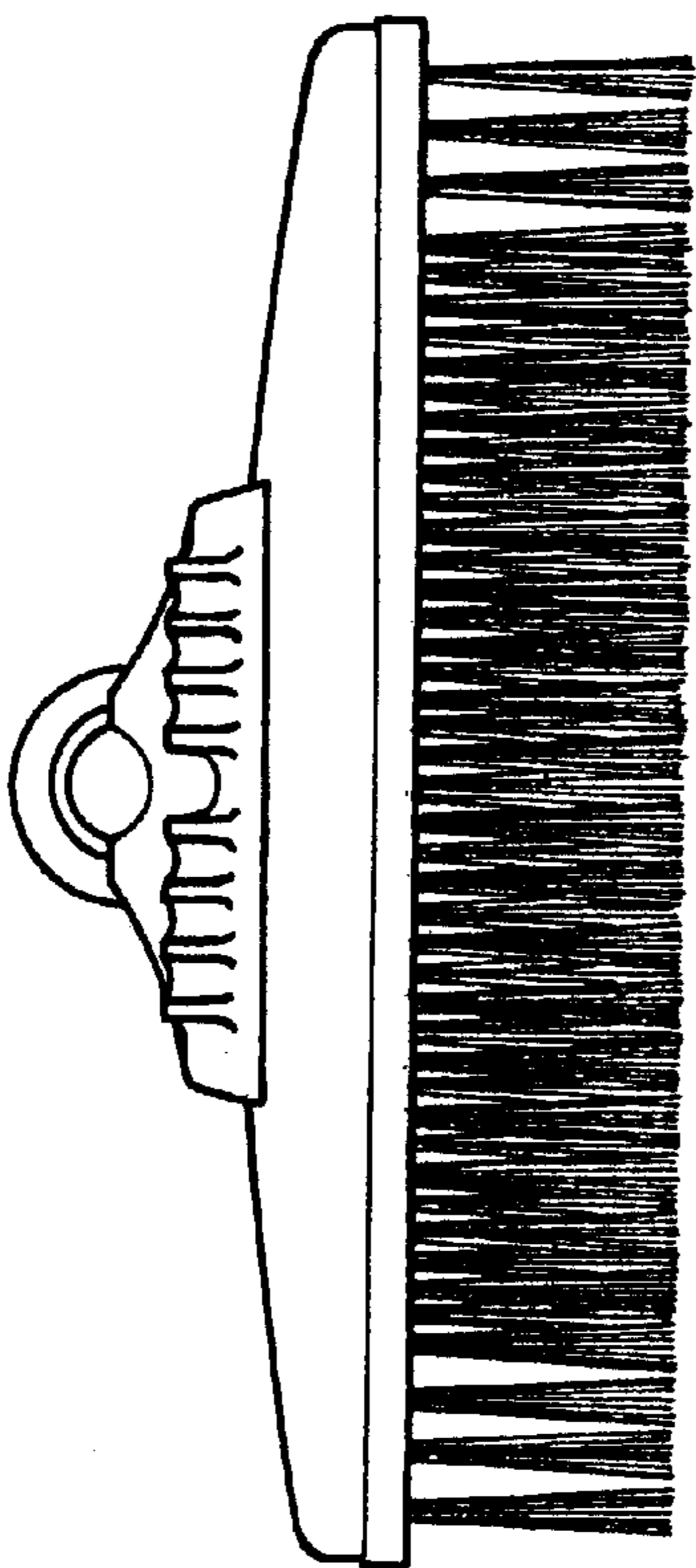


FIG. 7