



US00D453074S

(12) **United States Design Patent**
Johnston

(10) **Patent No.:** **US D453,074 S**

(45) **Date of Patent:** **** Jan. 29, 2002**

(54) **SURFACE PATTERN APPLIED TO A TOOL BOX OR SIMILAR ARTICLE**

(76) **Inventor:** **Dan Johnston**, 3 Putnam Lake Rd.,
Brewster, NY (US) 10509

(**) **Term:** **14 Years**

(21) **Appl. No.:** **29/124,514**

(22) **Filed:** **Jun. 7, 2000**

(51) **LOC (7) Cl.** **03-01**

(52) **U.S. Cl.** **D3/321**

(58) **Field of Search** D3/295, 905, 321;
D34/19; D6/445; 312/253, 204, 308, 902,
350, 351

(56) **References Cited**

U.S. PATENT DOCUMENTS

D258,175 S * 2/1981 Hazeltine D3/905
D283,263 S * 4/1986 Richey D34/19

D292,937 S * 11/1987 Richey D34/19
D341,253 S * 11/1993 Ballman et al. D3/297
5,857,757 A * 1/1999 Bieker et al. 312/351.3
D423,817 S * 5/2000 Holcomb et al. D6/445
D430,426 S * 9/2000 Bieker et al. D6/445

* cited by examiner

Primary Examiner—Philip S. Hyder

(57) **CLAIM**

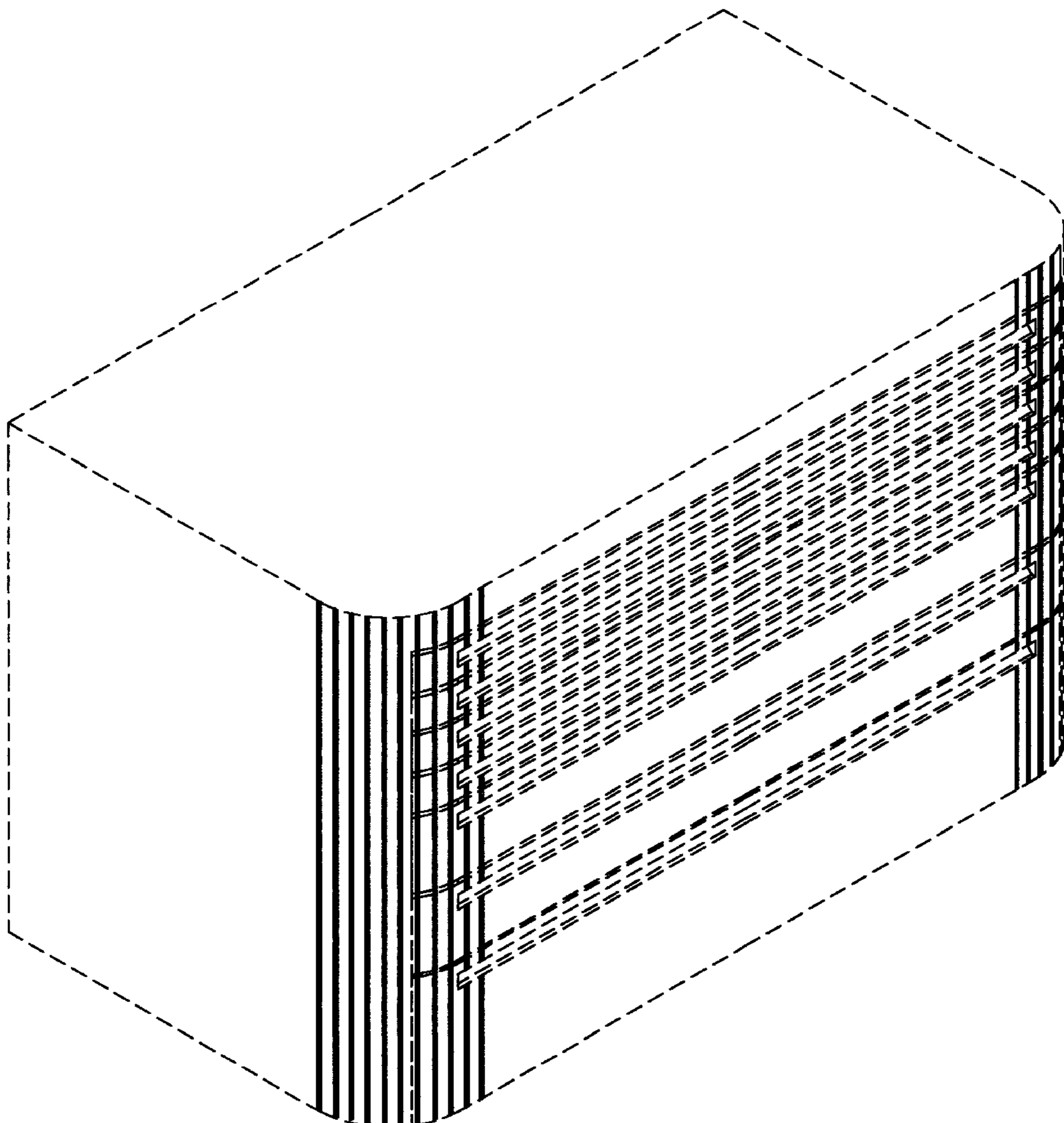
The ornamental design for a surface pattern applied to a tool box or similar article, as shown and described.

DESCRIPTION

FIG. 1 is a perspective view of a vertical line surface pattern applied to a tool box.

The tool box and drawer handles are shown in broken lines for illustrative purposes only, forming no part of the claimed design, and a perspective view taken from the opposite side is a mirror image of FIG. 1.

1 Claim, 1 Drawing Sheet



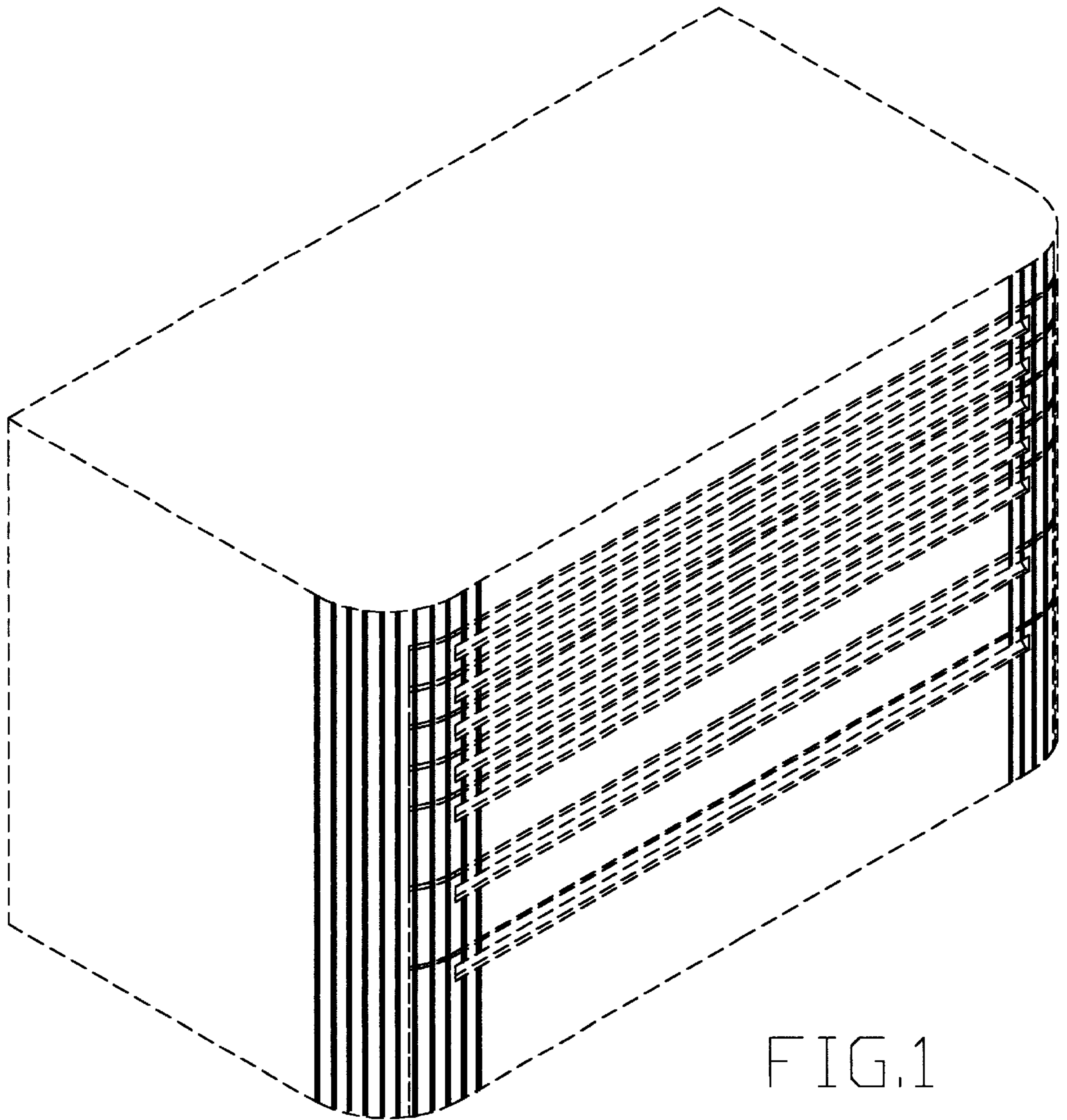


FIG. 1