



US00D453072S

(12) **United States Design Patent**  
**Brewer**

(10) **Patent No.:** **US D453,072 S**

(45) **Date of Patent:** **\*\* Jan. 29, 2002**

(54) **PORTABLE GREASE GUN AND CARTRIDGE CONTAINER**

5,788,072 A \* 8/1998 Chen ..... 206/372  
5,915,554 A \* 6/1999 Hung ..... 206/372

(76) **Inventor:** **Chester Arley Brewer**, 1799 Tuckaway Ct., Springboro, OH (US) 45066

\* cited by examiner

*Primary Examiner*—Philip S. Hyder

(\*\*) **Term:** **14 Years**

(57) **CLAIM**

(21) **Appl. No.:** **29/134,844**

The ornamental design for a portable grease gun and cartridge container, as shown and described.

(22) **Filed:** **Jan. 2, 2001**

**DESCRIPTION**

(51) **LOC (7) Cl.** ..... **03-01**

(52) **U.S. Cl.** ..... **D3/274; D8/14.1**

(58) **Field of Search** ..... D3/272, 273, 274, D3/276, 283, 294, 295, 905; D8/14.1; 206/349, 372, 373; 222/256, 257, 258, 259, 260

FIG. 1 is a perspective view of the portable grease gun and cartridge container.

FIG. 2 is a front view of the portable grease gun and cartridge container.

FIG. 3 is a rear view of the portable grease gun and cartridge container.

FIG. 4 is a left side view of the portable grease gun and cartridge container.

FIG. 5 is a right side view of the portable grease gun and cartridge container.

FIG. 6 is a top plan view of the portable grease gun and cartridge container; and,

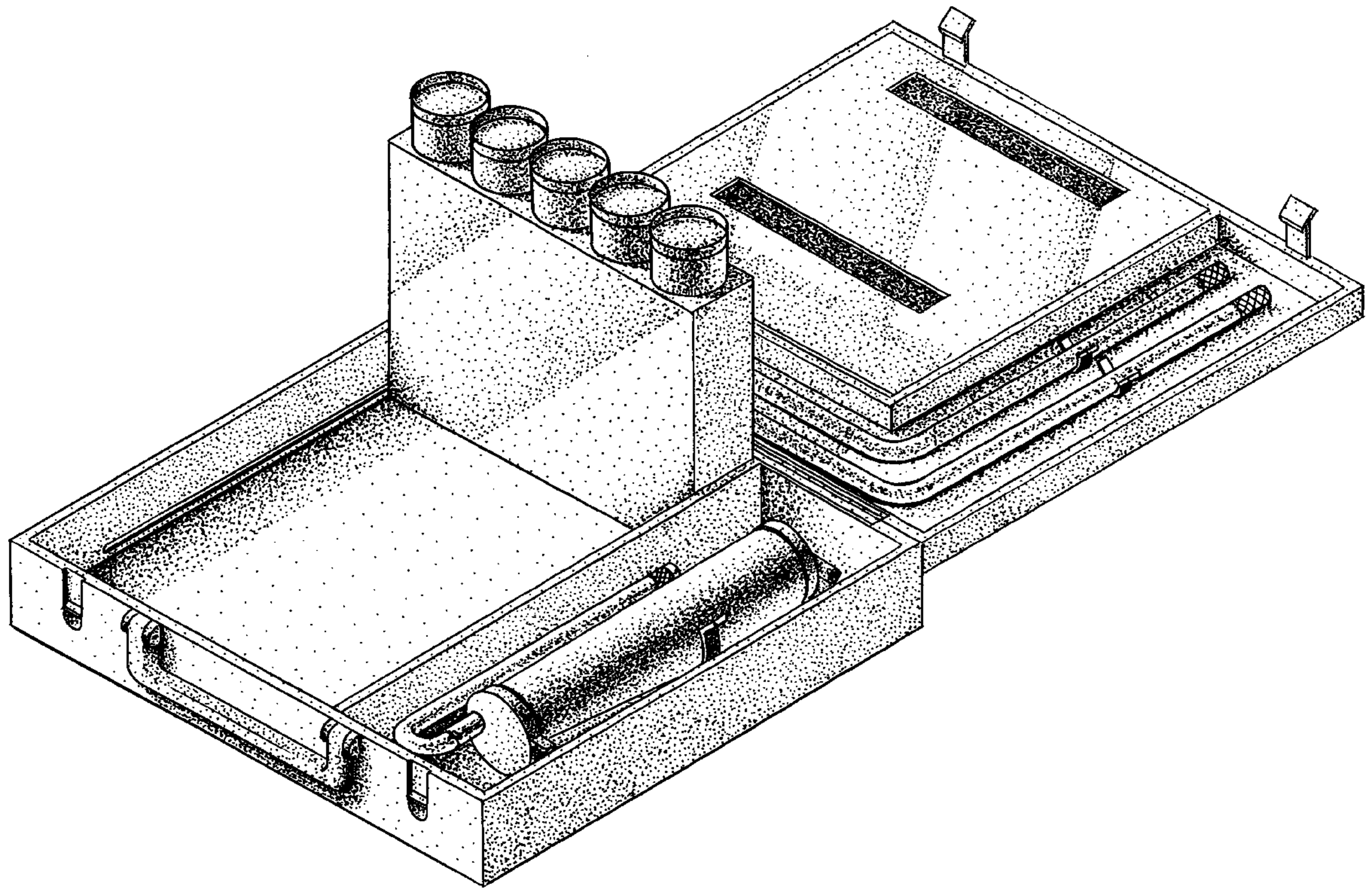
FIG. 7 is a bottom plan view of the portable grease gun and cartridge container.

(56) **References Cited**

**U.S. PATENT DOCUMENTS**

|             |   |        |               |       |         |
|-------------|---|--------|---------------|-------|---------|
| D205,579 S  | * | 8/1966 | Snyder        | ..... | D3/281  |
| D205,580 S  | * | 8/1966 | Snyder        | ..... | D3/281  |
| 3,878,939 A | * | 4/1975 | Wilcox        | ..... | 206/373 |
| 4,093,010 A | * | 6/1978 | Hunley et al. | ..... | 206/316 |
| D256,522 S  | * | 8/1980 | Peterson      | ..... | D3/284  |
| D289,461 S  | * | 4/1987 | Humphries     | ..... | D3/284  |
| D309,143 S  | * | 7/1990 | Yang          | ..... | D3/281  |
| D370,609 S  | * | 6/1996 | Butt          | ..... | D3/282  |
| D380,611 S  | * | 7/1997 | Mancusi       | ..... | D3/284  |

**1 Claim, 6 Drawing Sheets**



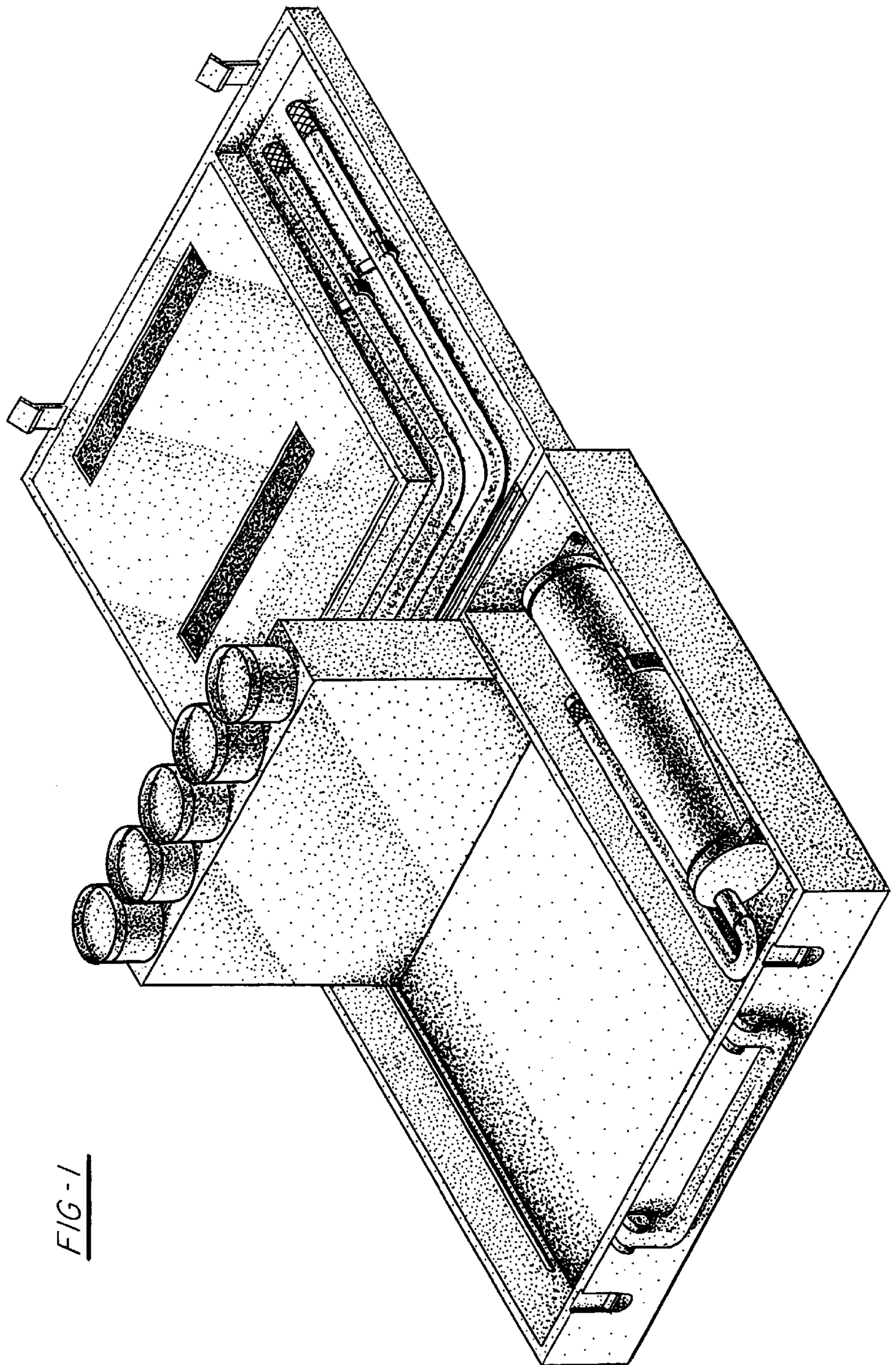


FIG-1

FIG - 2

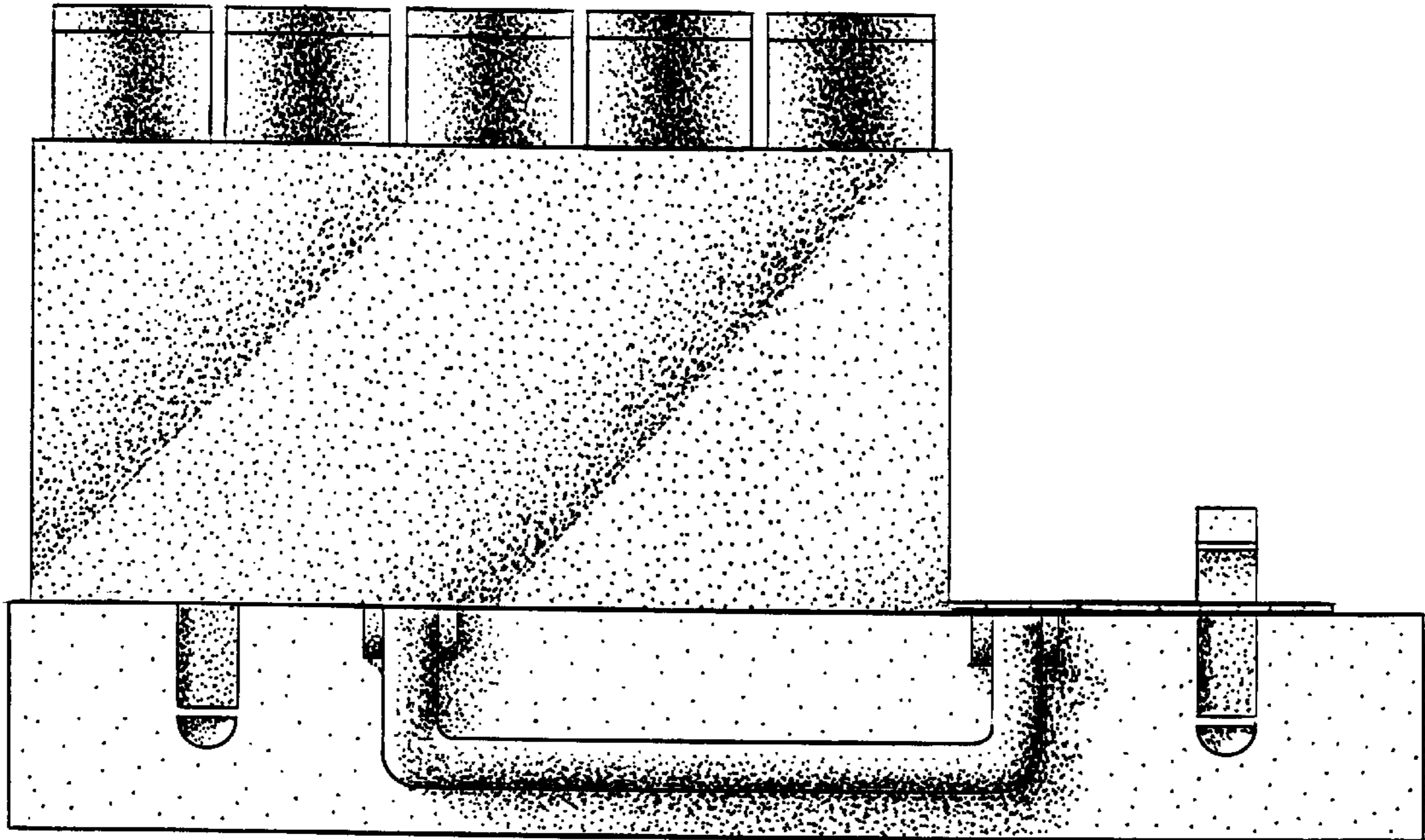
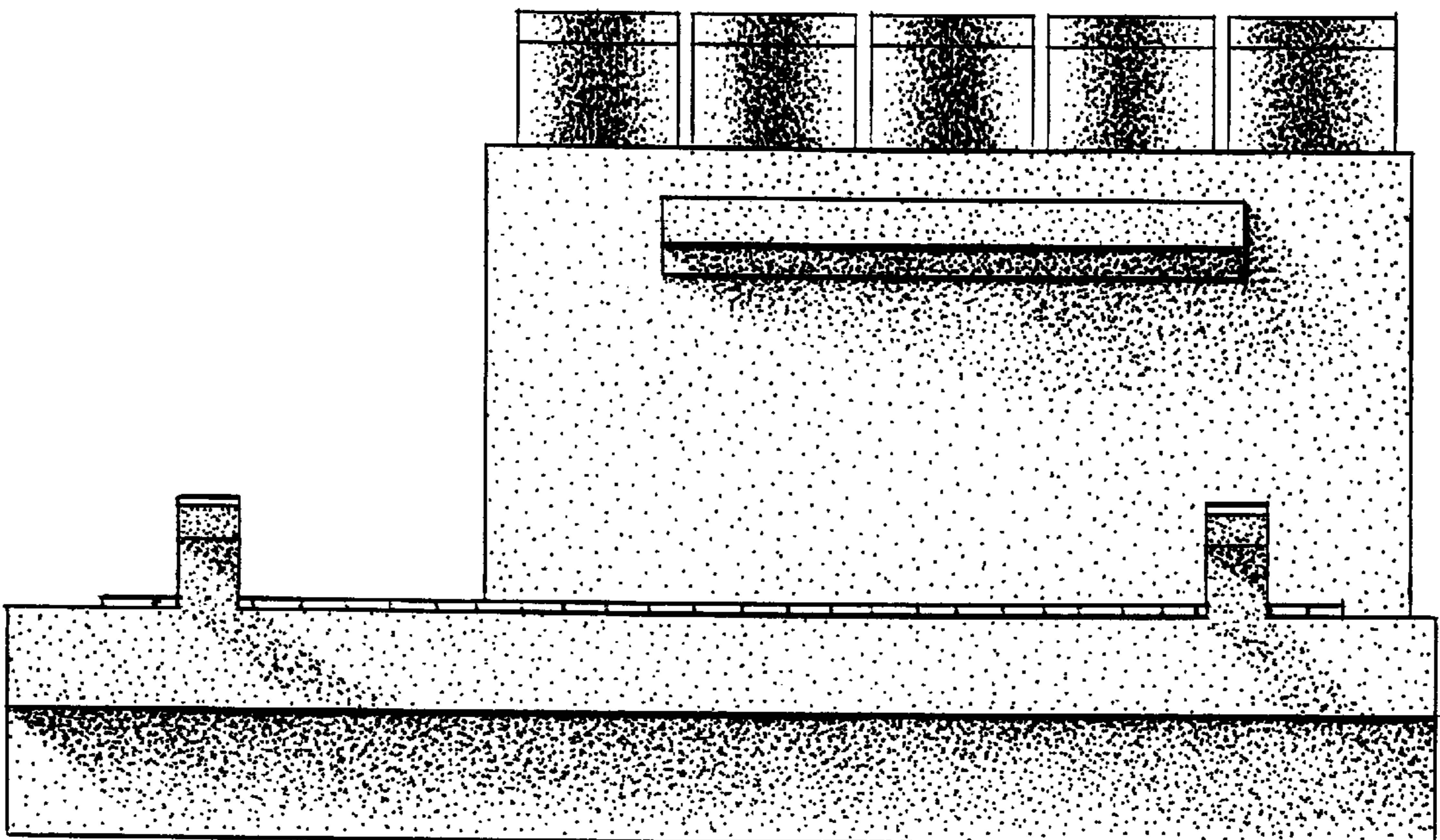


FIG - 3



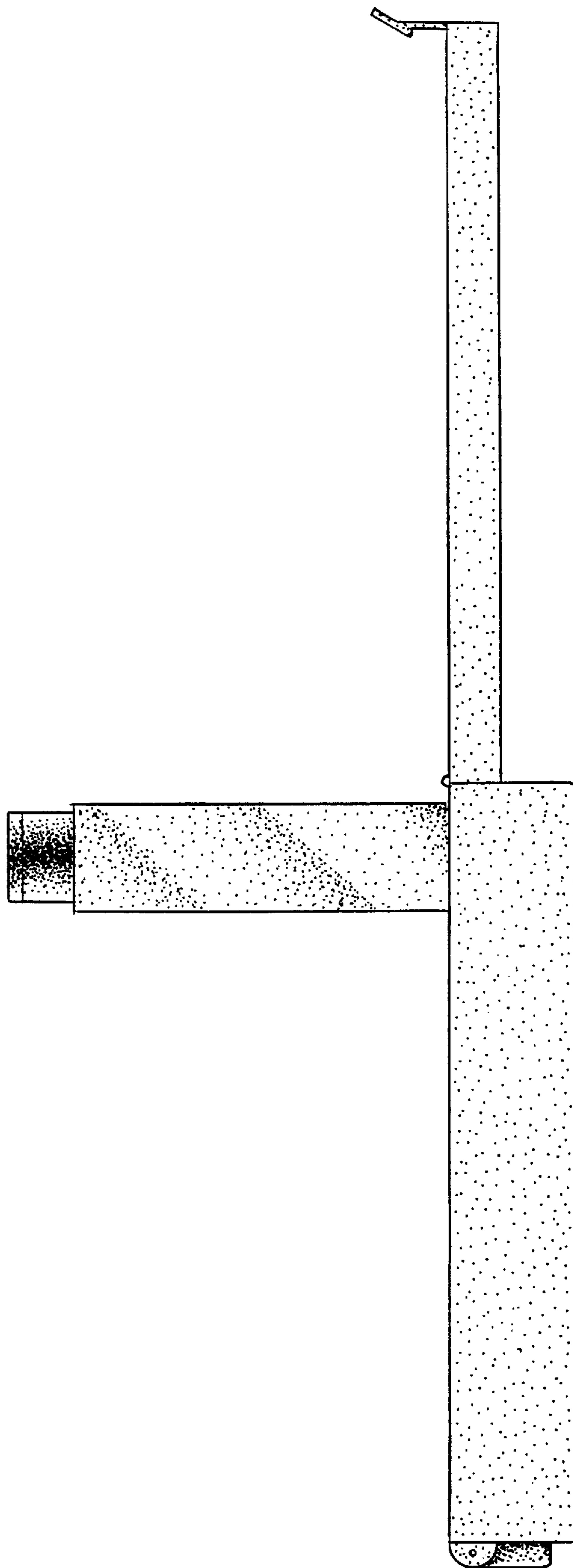


FIG - 4

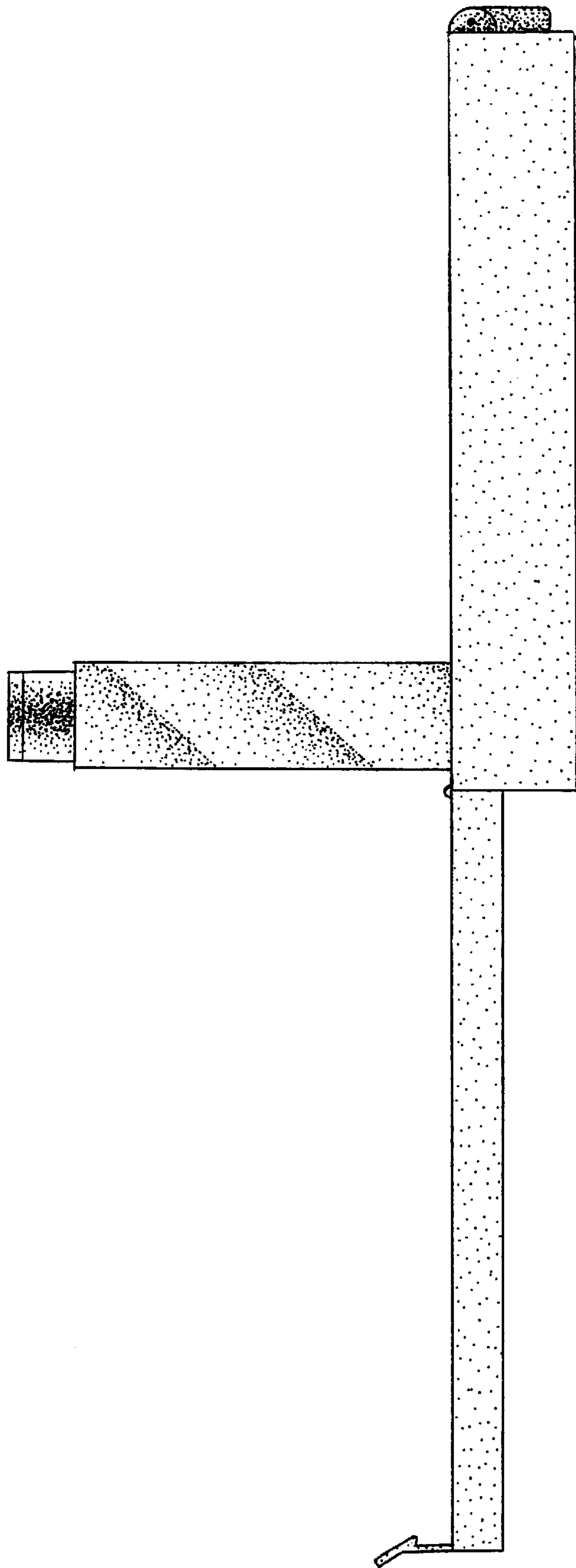


FIG - 5

FIG - 6

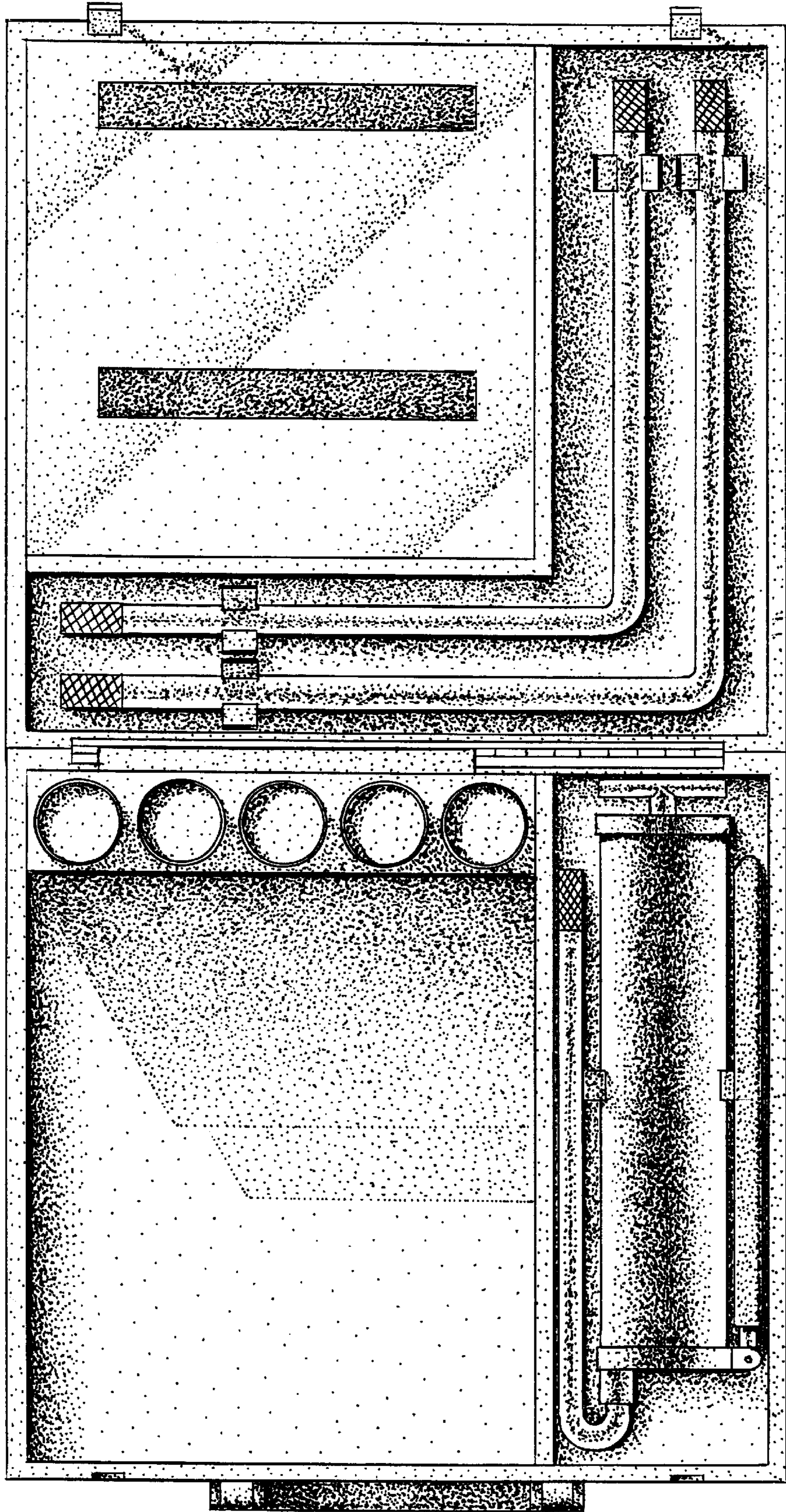


FIG-7

