



US00D453069S

(12) **United States Design Patent**
Smith

(10) **Patent No.:** **US D453,069 S**

(45) **Date of Patent:** **** Jan. 29, 2002**

(54) **SPEED SQUARE HOLDER**

6,102,264 A * 8/2000 Redzisz 224/197

(76) Inventor: **Gregory P Smith**, 250 Lockmeath Way,
Dover, DE (US) 19904

* cited by examiner

Primary Examiner—Catherine R. Oliver

(**) Term: **14 Years**

(57) **CLAIM**

(21) Appl. No.: **29/138,253**

The ornamental design for a speed square holder, as shown and described.

(22) Filed: **Mar. 9, 2001**

DESCRIPTION

(51) **LOC (7) Cl.** **03-01**

(52) **U.S. Cl.** **D3/228**

(58) **Field of Search** D3/228; 224/904,
224/901, 240, 245, 253, 197, 251

FIG. 1 is a front elevational view of the speed square holder of the present invention;

FIG. 2 is a rear elevational view of the speed square holder of FIG. 1;

FIG. 3 is a right side elevational view of the speed square holder of FIG. 1, the left view being a mirror image thereof;

FIG. 4 is a top plan view of the speed square holder of FIG. 1;

FIG. 5 is a bottom plan view of the speed square holder of FIG. 1; and,

FIG. 6 is a top, front, right side perspective view of the speed square holder of FIG. 1.

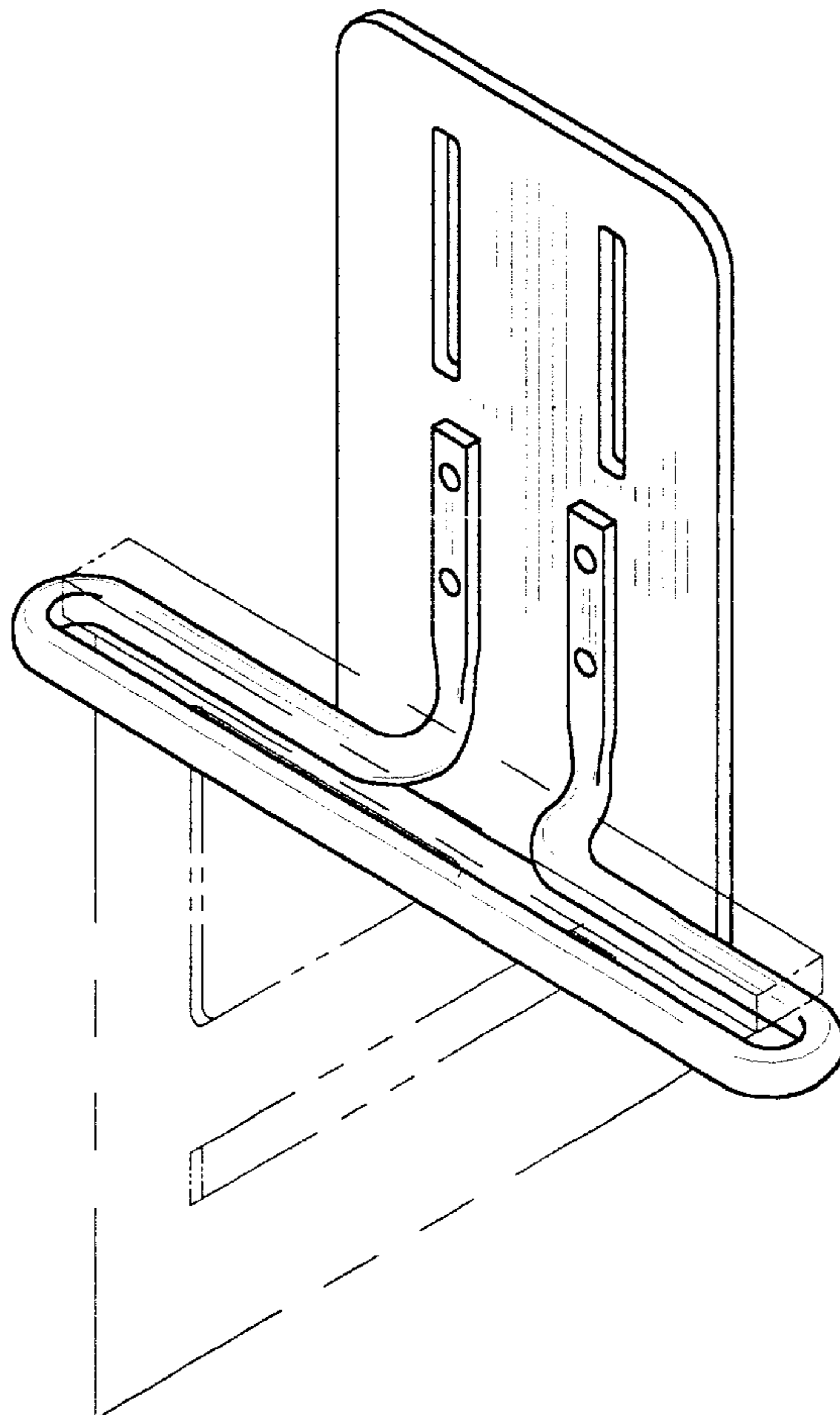
The broken lines showing of a speed square in FIG. 6 is for illustrative purposes only and form no part of the claimed design.

(56) **References Cited**

U.S. PATENT DOCUMENTS

D221,123 S	*	7/1971	Nicholas	D3/228
4,223,820 A		9/1980	Vorsanger et al.	224/253
D257,410 S		10/1980	Rink	D3/228
D258,248 S	*	2/1981	Tillman	D3/228
4,372,468 A		2/1983	Harvey	224/268
4,819,847 A		4/1989	Anderson	224/252
5,016,796 A		5/1991	Johnson	224/245
5,341,976 A		8/1994	Rider	224/269
D359,848 S	*	7/1995	Pounds	D3/228
D408,136 S	*	4/1999	Pesce, Jr.	D3/228

1 Claim, 4 Drawing Sheets



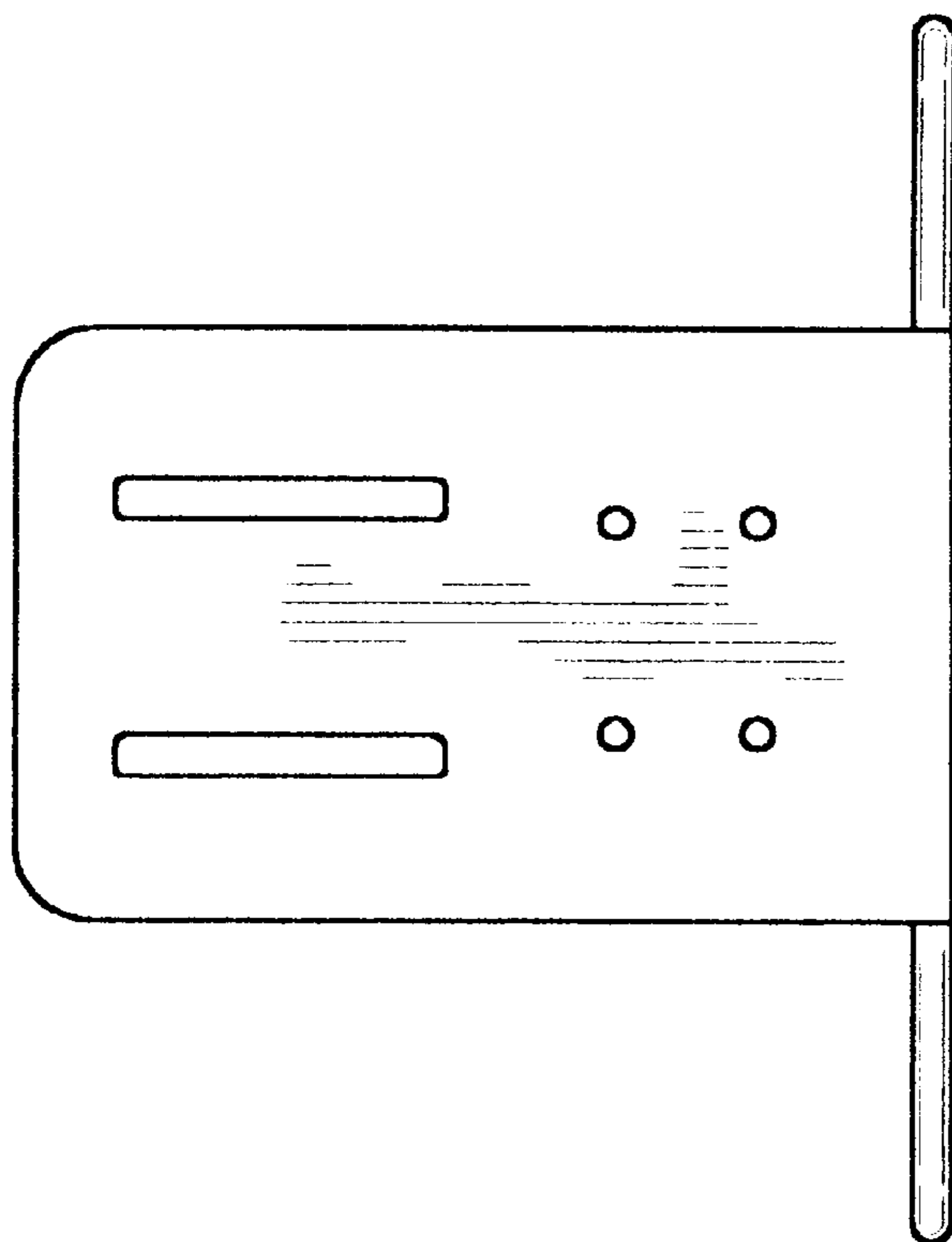


FIG. 1

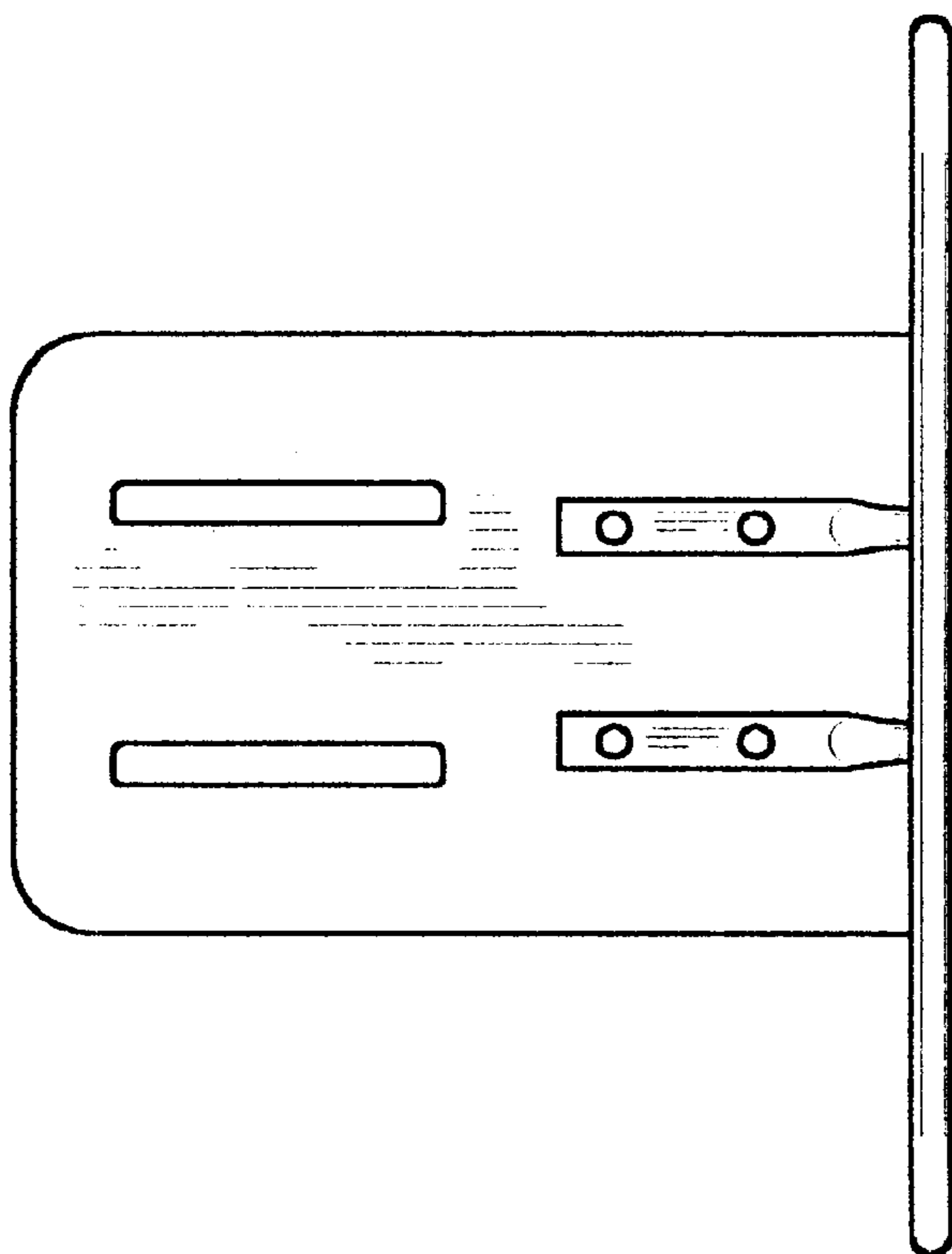


FIG. 2

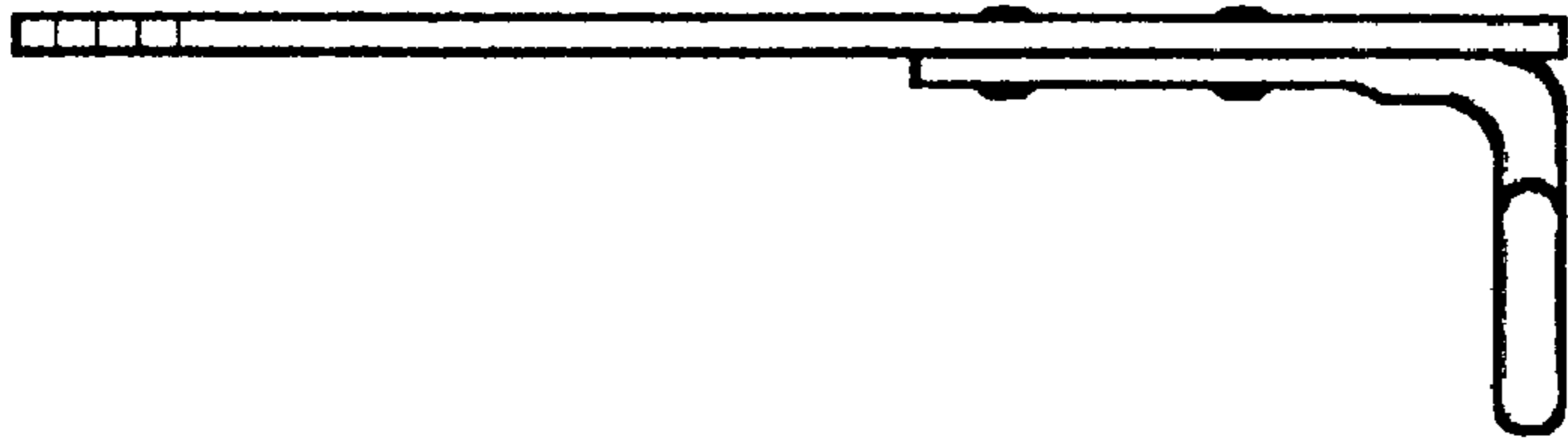


FIG. 3

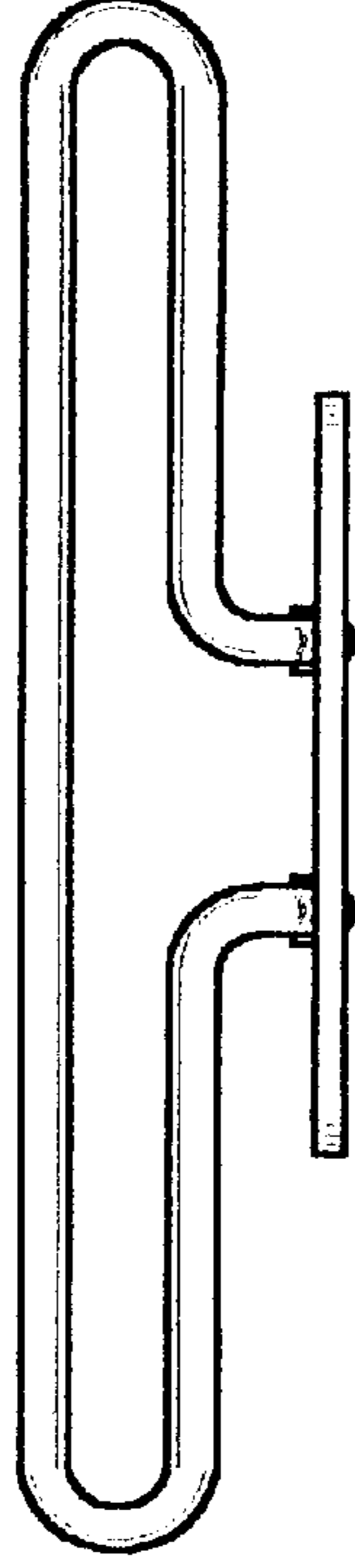


FIG. 4

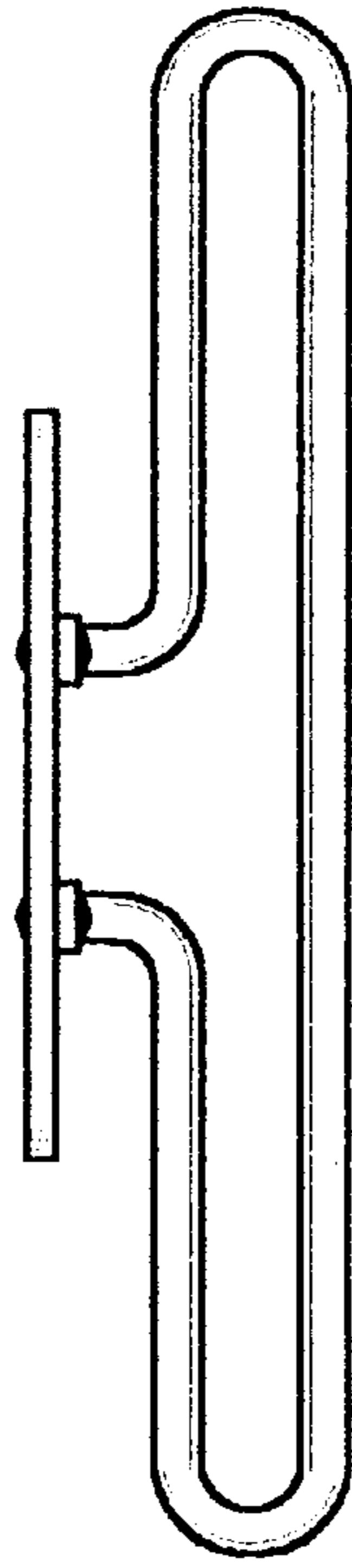


FIG. 5

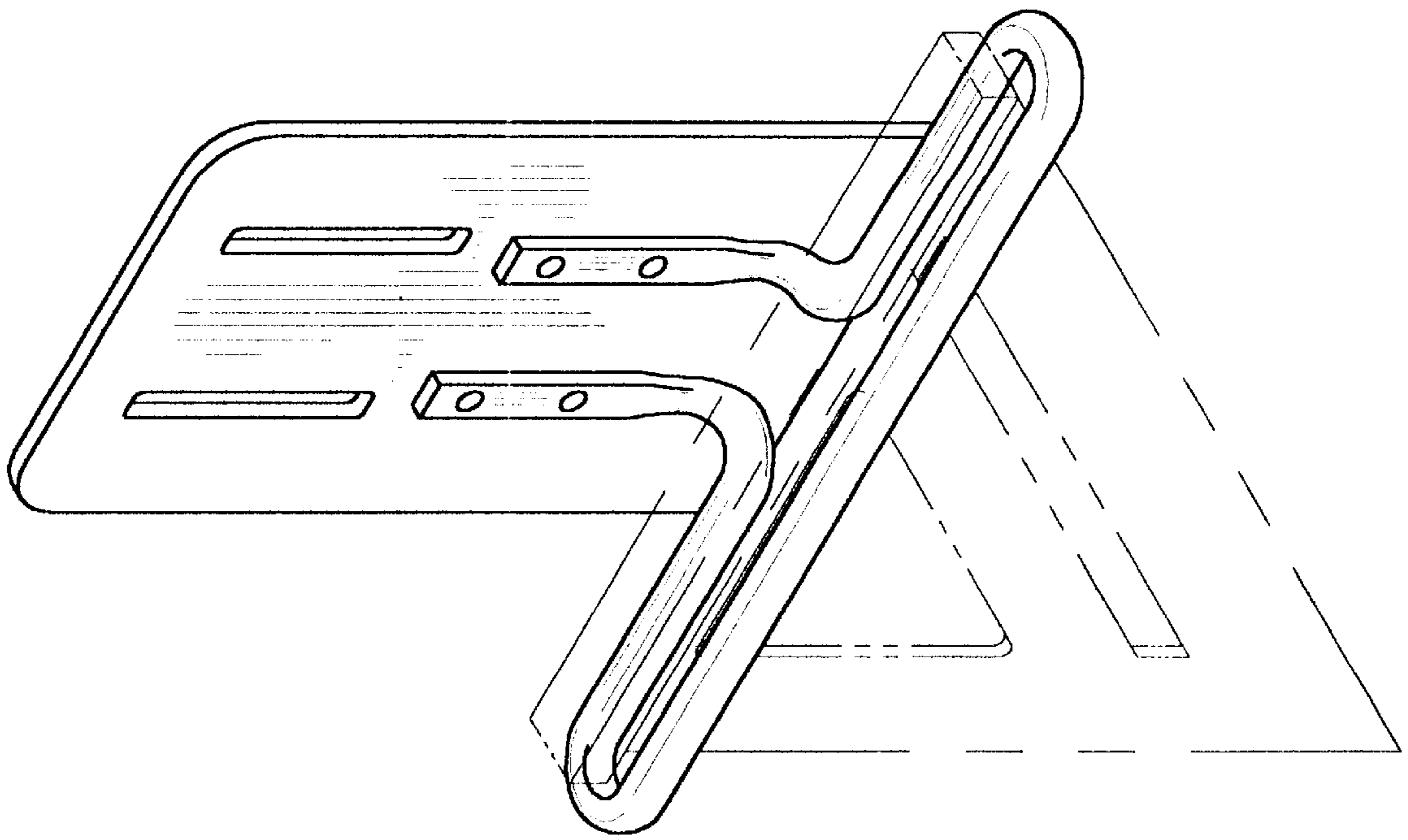


FIG. 6