



US00D453068S

(12) **United States Design Patent**
Rogers et al.

(10) **Patent No.:** **US D453,068 S**

(45) **Date of Patent:** **** Jan. 29, 2002**

(54) **SUPPORT PLATE FOR A HOLSTER**

5,421,497 A * 6/1995 Gilmore 224/198
6,161,741 A * 12/2000 French 224/198

(75) Inventors: **William H. Rogers; Norman E. Clifton, Jr.**, both of Jacksonville, FL (US)

* cited by examiner

Primary Examiner—Catherine R. Oliver
(74) *Attorney, Agent, or Firm*—Arthur G. Yeager

(73) Assignee: **Safariland Ltd., Inc.**, Ontario, CA (US)

(57) **CLAIM**

(**) Term: **14 Years**

The ornamental design for a support plate for a holster, as shown and described.

(21) Appl. No.: **29/131,669**

DESCRIPTION

(22) Filed: **Oct. 25, 2000**

This application has some relation to applicant's co-pending application 29/131,669 Oct. 25, 2000, which is being filed on the even date herewith.

(51) **LOC (7) Cl.** **03-01**

(52) **U.S. Cl.** **D3/222**

(58) **Field of Search** D3/222, 223, 215, D3/218, 221, 228; 224/197, 198, 192, 193, 243, 240, 911, 904, 272, 670, 913; 24/507, 508, 511; 248/148, 311.2

FIG. 1 is a front perspective view of the support plate for a holster showing our new design;

FIG. 2, is a rear elevational view thereof;

FIG. 3 is a front elevational view thereof;

FIG. 4 is a left end elevational view thereof, the right end elevational view being the mirror image thereof;

FIG. 5 is a top plan view thereof; and,

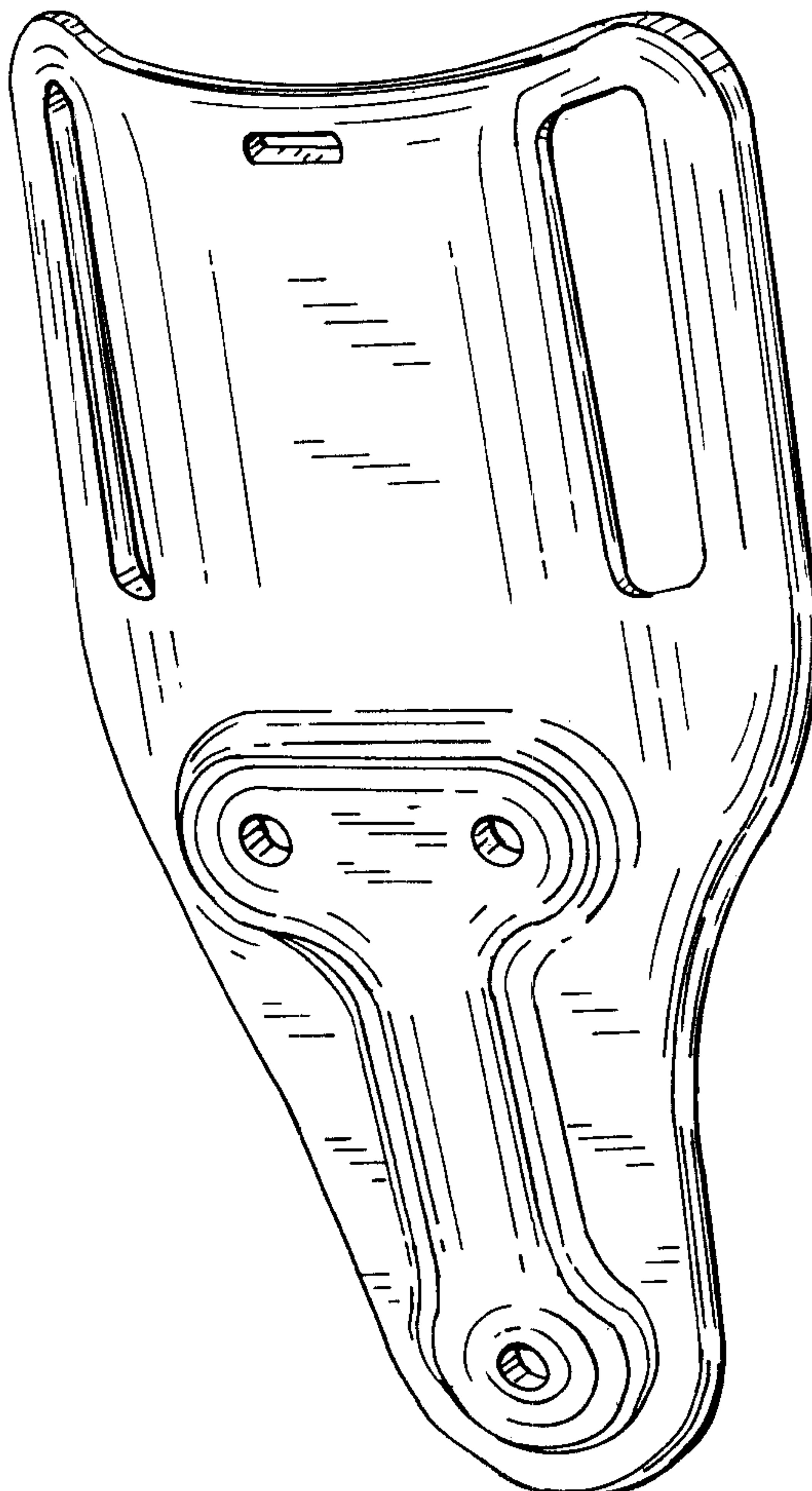
FIG. 6 is a bottom plan view thereof.

(56) **References Cited**

U.S. PATENT DOCUMENTS

2,138,978 A * 12/1938 Meine 224/198
D345,465 S * 3/1994 Greig D3/228

1 Claim, 5 Drawing Sheets



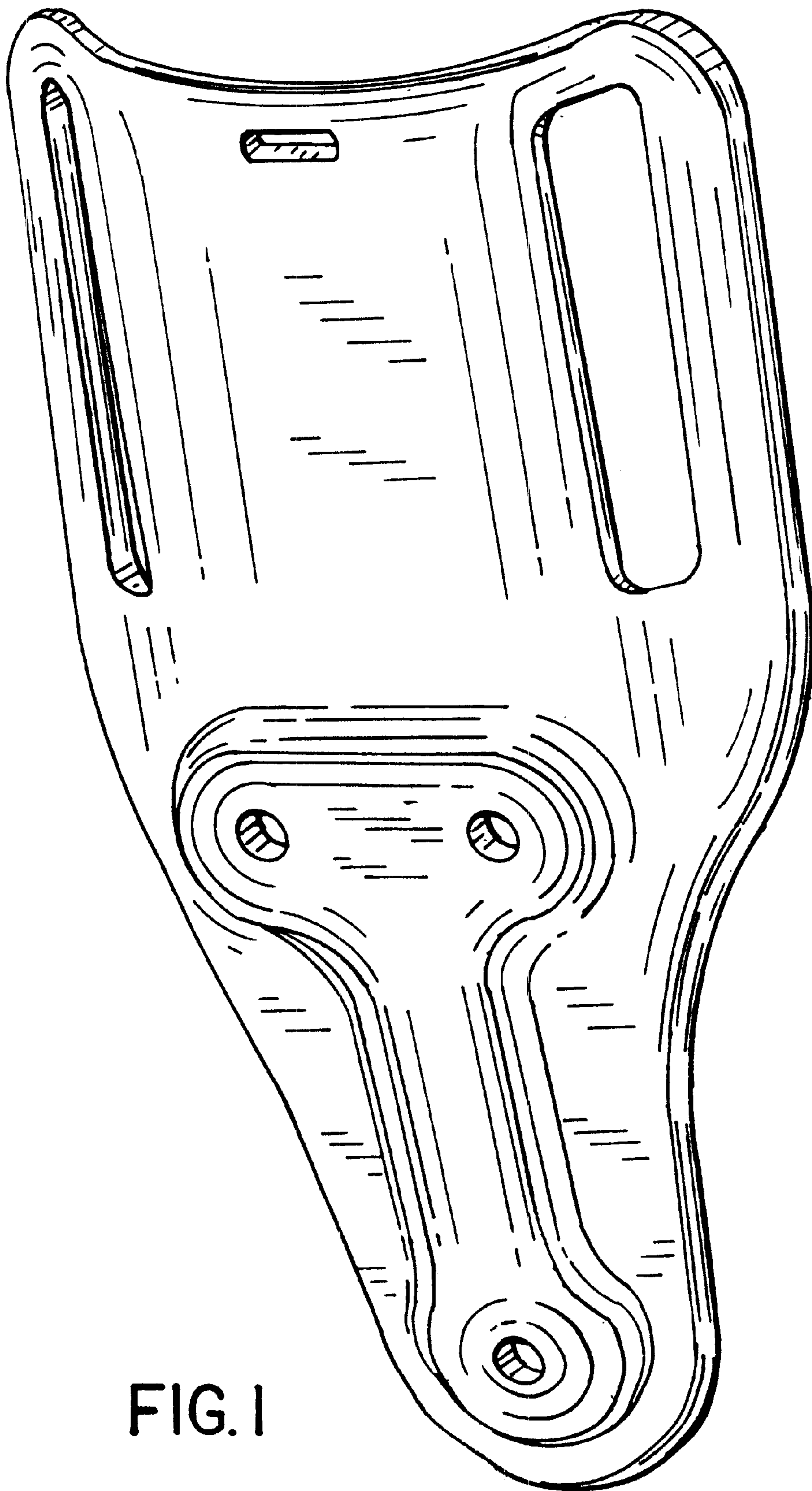


FIG. 1

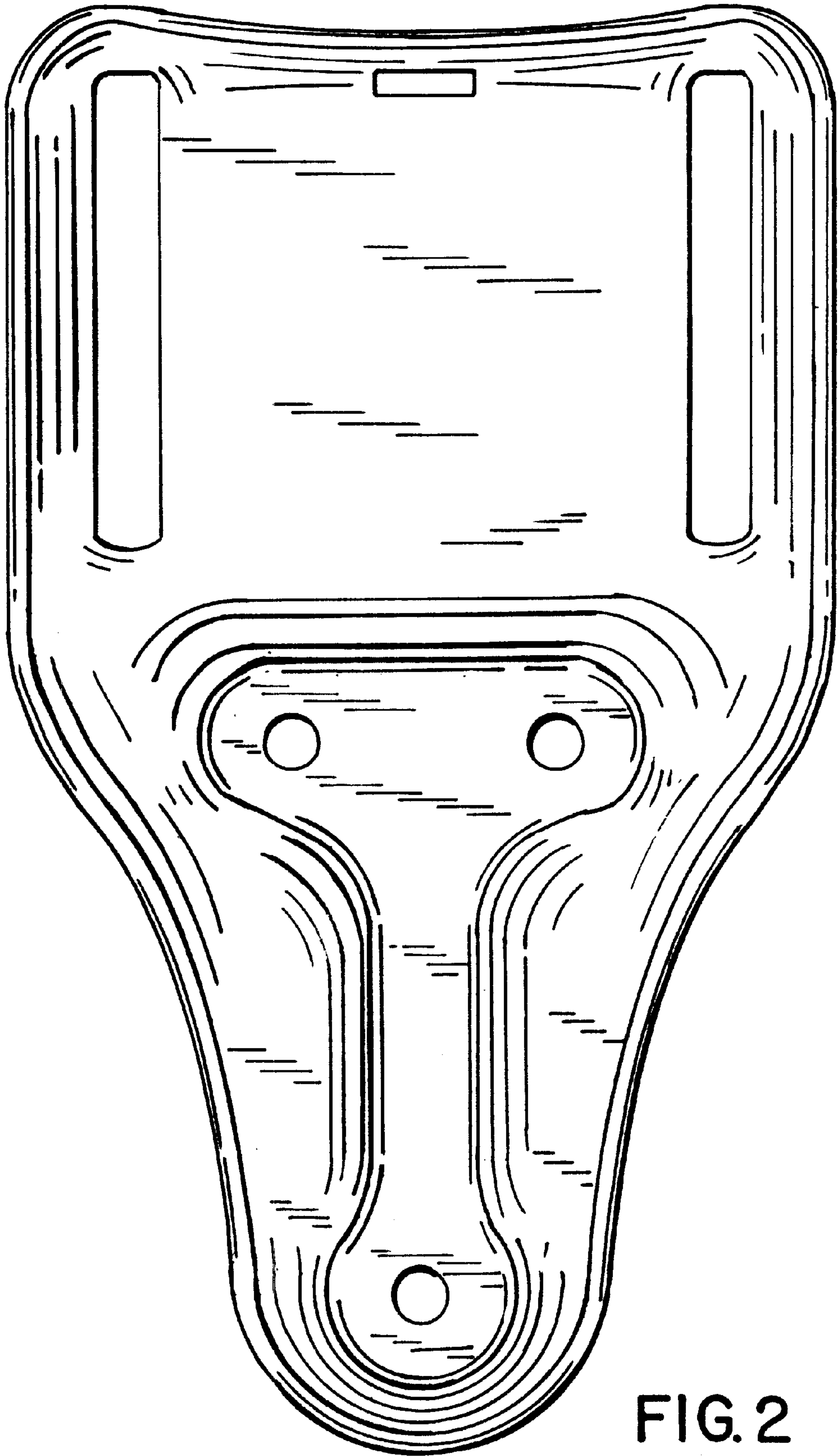


FIG. 2

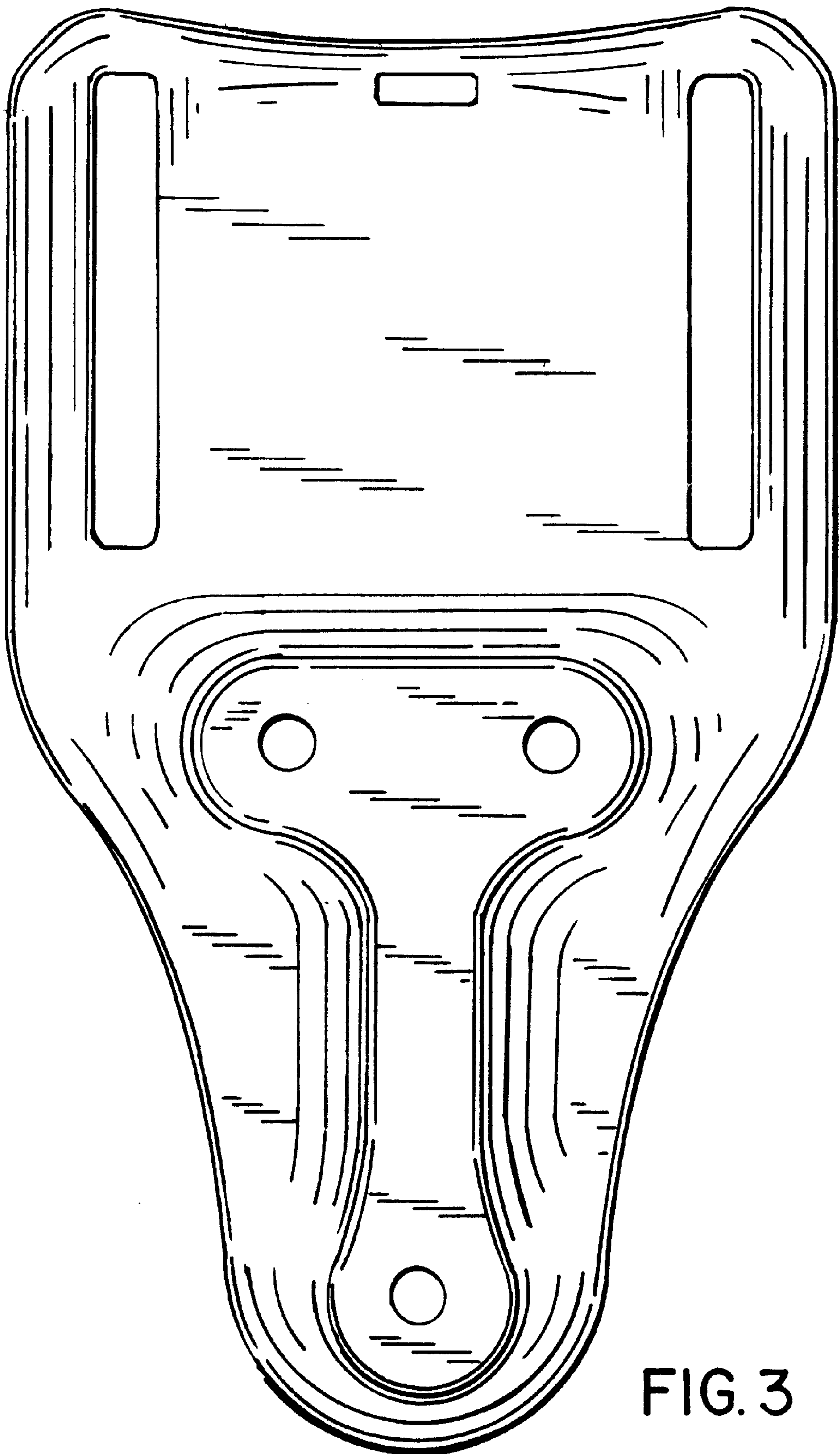


FIG. 3



FIG. 4

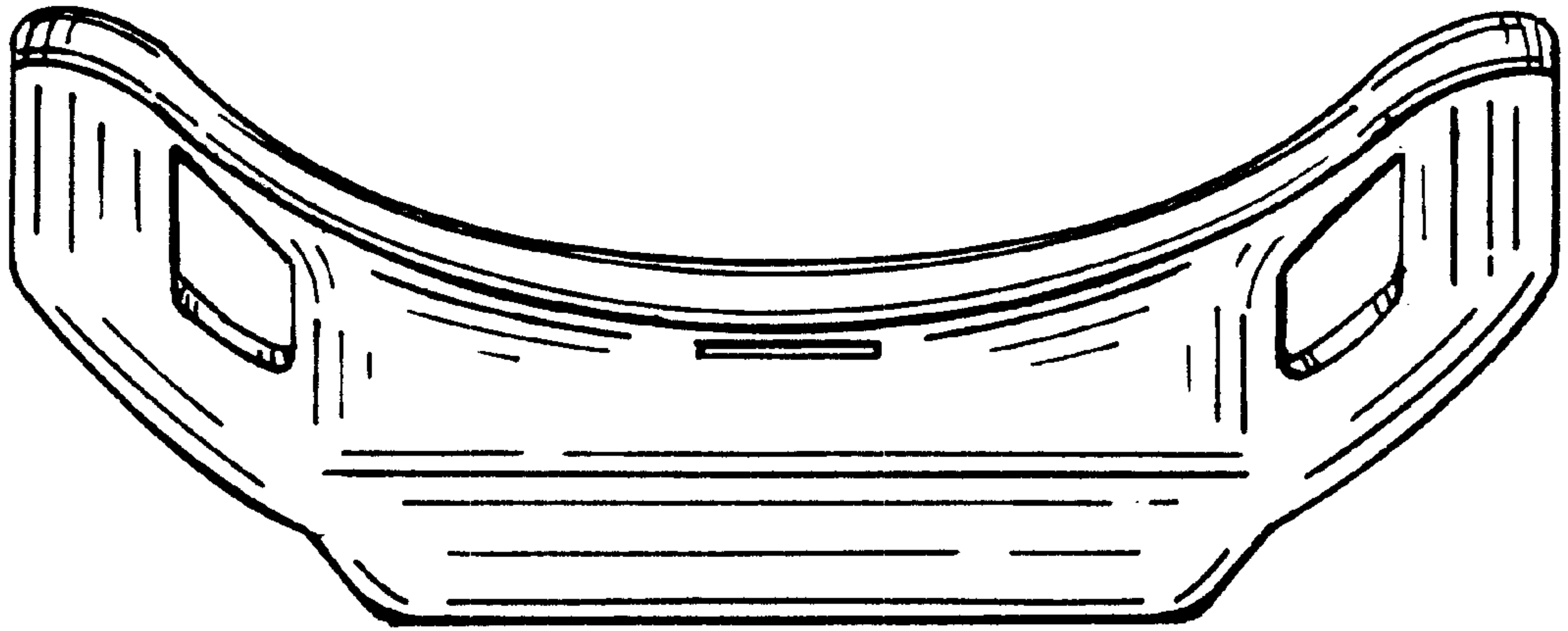


FIG. 5

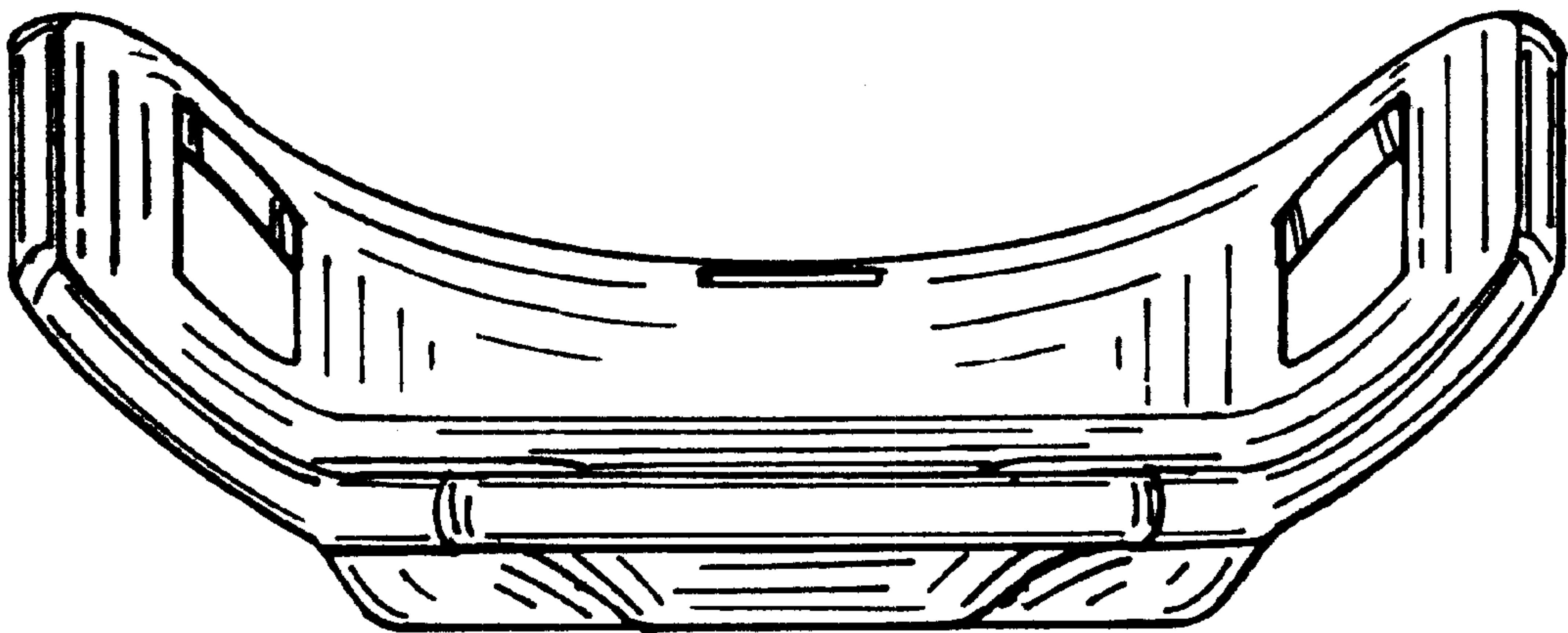


FIG. 6