



US00D453067S

(12) **United States Design Patent**
Cody

(10) **Patent No.:** **US D453,067 S**

(45) **Date of Patent:** **** Jan. 29, 2002**

(54) **PET WASTE KIT**

(76) **Inventor:** **Sherri L Cody**, 6615 Cleveland Rd.
Lot A-8, Ravenna, OH (US) 44266

(**) **Term:** **14 Years**

(21) **Appl. No.:** **29/127,785**

(22) **Filed:** **Aug. 11, 2000**

(51) **LOC (7) Cl.** **03-01**

(52) **U.S. Cl.** **D3/215; D30/162; D2/617**

(58) **Field of Search** D30/162, 152;
119/651, 867, 858; D3/215, 226; D32/35,
74; 206/278, 279; 15/257.1, 257.3, 257.4;
D2/617, 610, 616, 619, 621; 224/674, 236,
240, 933; 294/1.3, 1.4, 55, 99.2; D7/691;
D8/10; 2/159, 160, 311, 316, 319, 338

(56) **References Cited**

U.S. PATENT DOCUMENTS

1,648,565	A	*	11/1927	Primley	224/674
3,188,090	A	*	6/1965	Job	2/159
D248,656	S	*	7/1978	Parise	D3/215
4,863,084	A	*	9/1989	Nabozny	206/278
4,958,871	A		9/1990	Hemans		
5,184,762	A	*	2/1993	Nevitt	D30/152
D344,178	S	*	2/1994	Zinck	D3/226
5,301,806	A		4/1994	Olson		
5,303,860	A	*	4/1994	Serafini, Jr.	224/238
5,363,809	A	*	11/1994	Roe	294/1.3
5,392,974	A		2/1995	Johnson-Rabbett		
5,415,904	A		5/1995	Takubo et al.		

D362,540	S	*	9/1995	McNamara et al.	D3/215
D368,580	S	*	4/1996	Poindexter	D3/215
5,560,321	A	*	10/1996	Hess	119/858
5,564,762	A	*	10/1996	Ring	294/1.3
5,586,521	A	*	12/1996	Kelley	119/858
D384,780	S	*	10/1997	McLaughlin	D30/152
5,713,616	A	*	2/1998	Knudson	294/1.3
5,718,192	A	*	2/1998	Sebastian	D30/162
D391,846	S		3/1998	Triggs		
5,804,265	A		9/1998	Saad et al.		
5,857,600	A	*	1/1999	Akutsu	224/240
5,934,530	A	*	8/1999	Antczak et al.	224/933
6,129,096	A	*	10/2000	Johnson	119/651
D434,194	S	*	11/2000	Bergquist	D30/162

* cited by examiner

Primary Examiner—Cathy Anne MacCormac

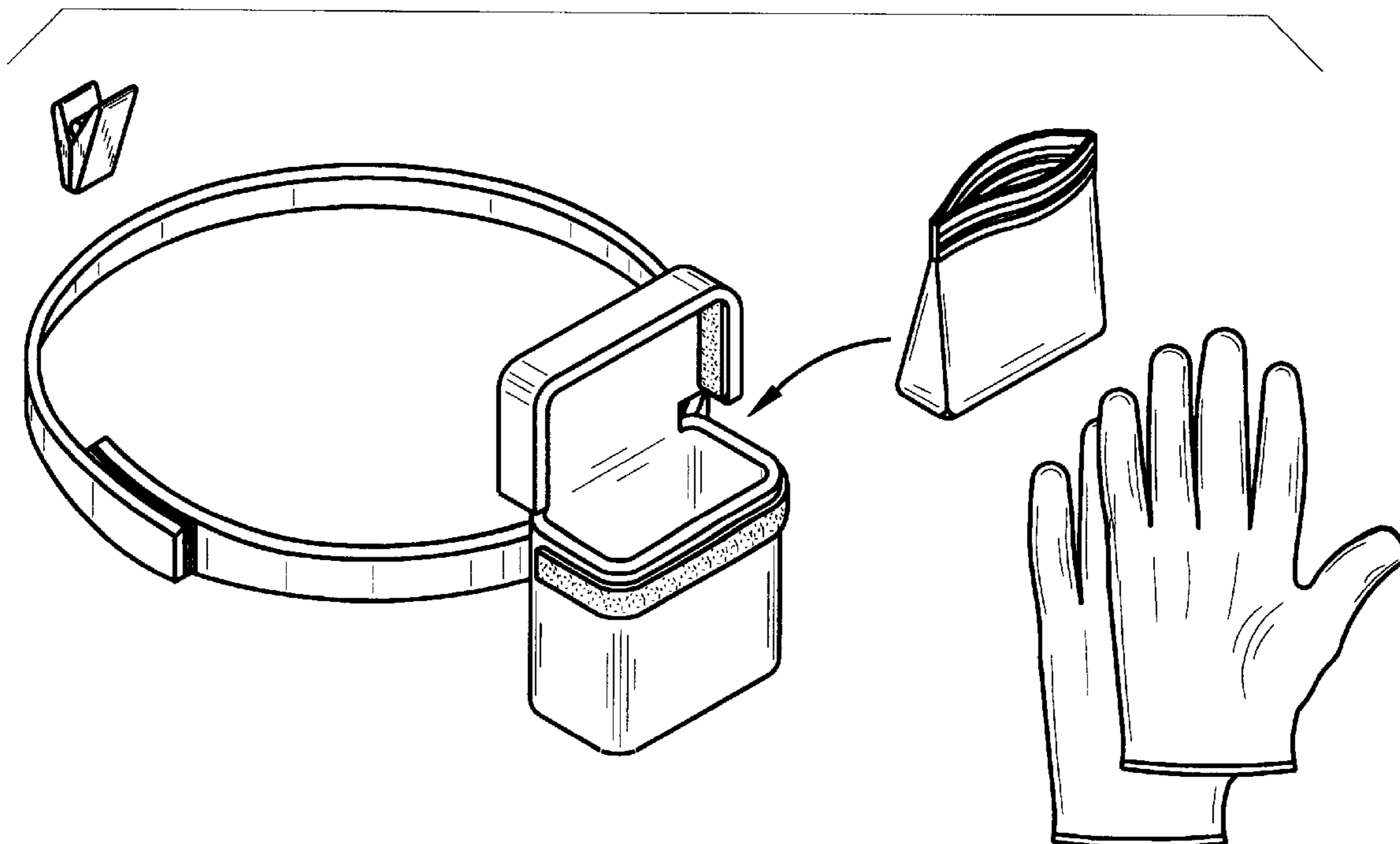
(57) **CLAIM**

The ornamental design for a pet waste kit, as shown and described.

DESCRIPTION

FIG. 1 is a front elevational view of the pet waste kit of the present invention;
FIG. 2 is a rear elevational view thereof;
FIG. 3 is a left side elevational view thereof;
FIG. 4 is a right side elevational view thereof;
FIG. 5 is a top plan view thereof;
FIG. 6 is a bottom plan view thereof; and,
FIG. 7 is an exploded top, front perspective view in an alternate position.

1 Claim, 2 Drawing Sheets



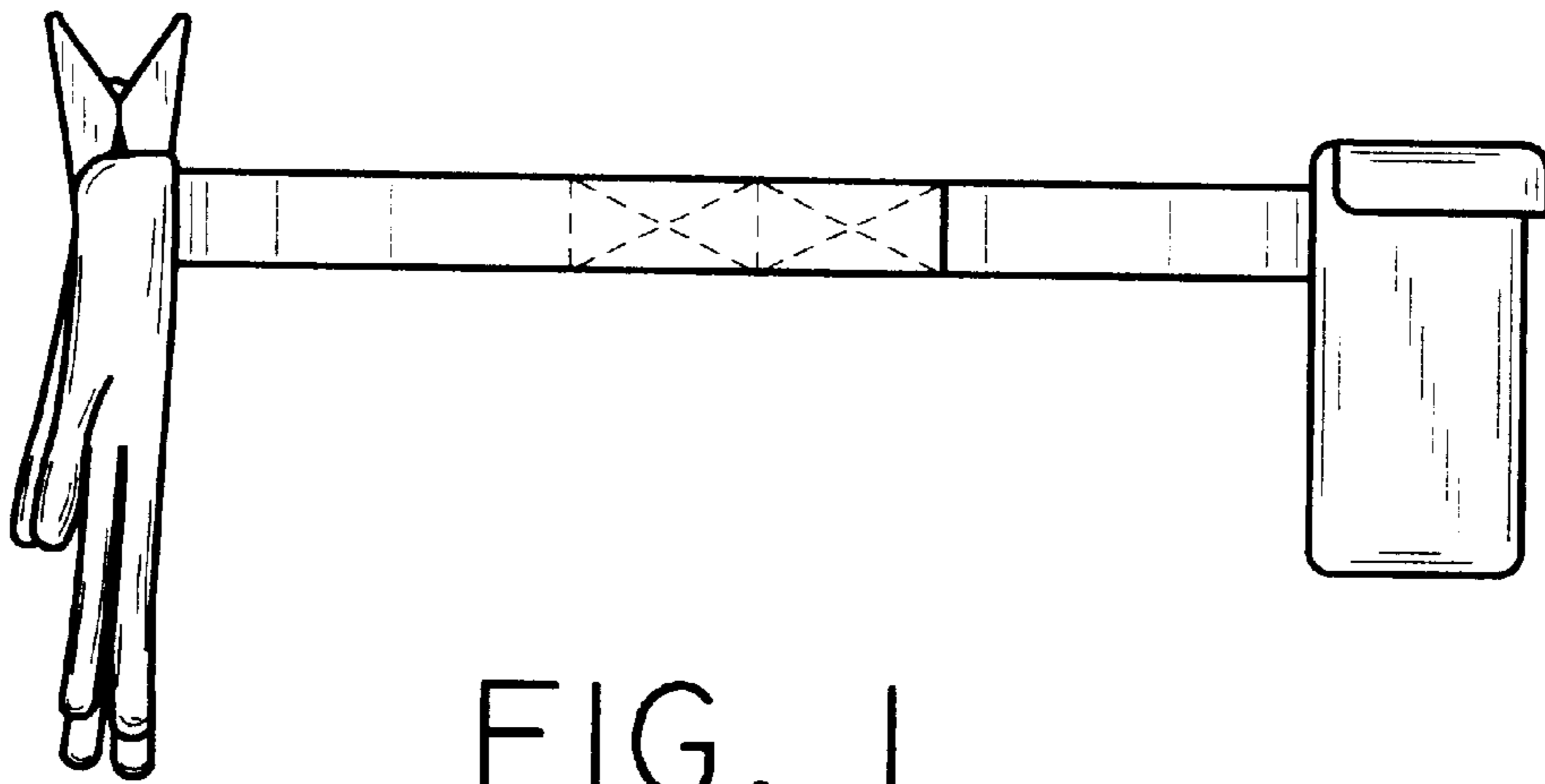


FIG. 1

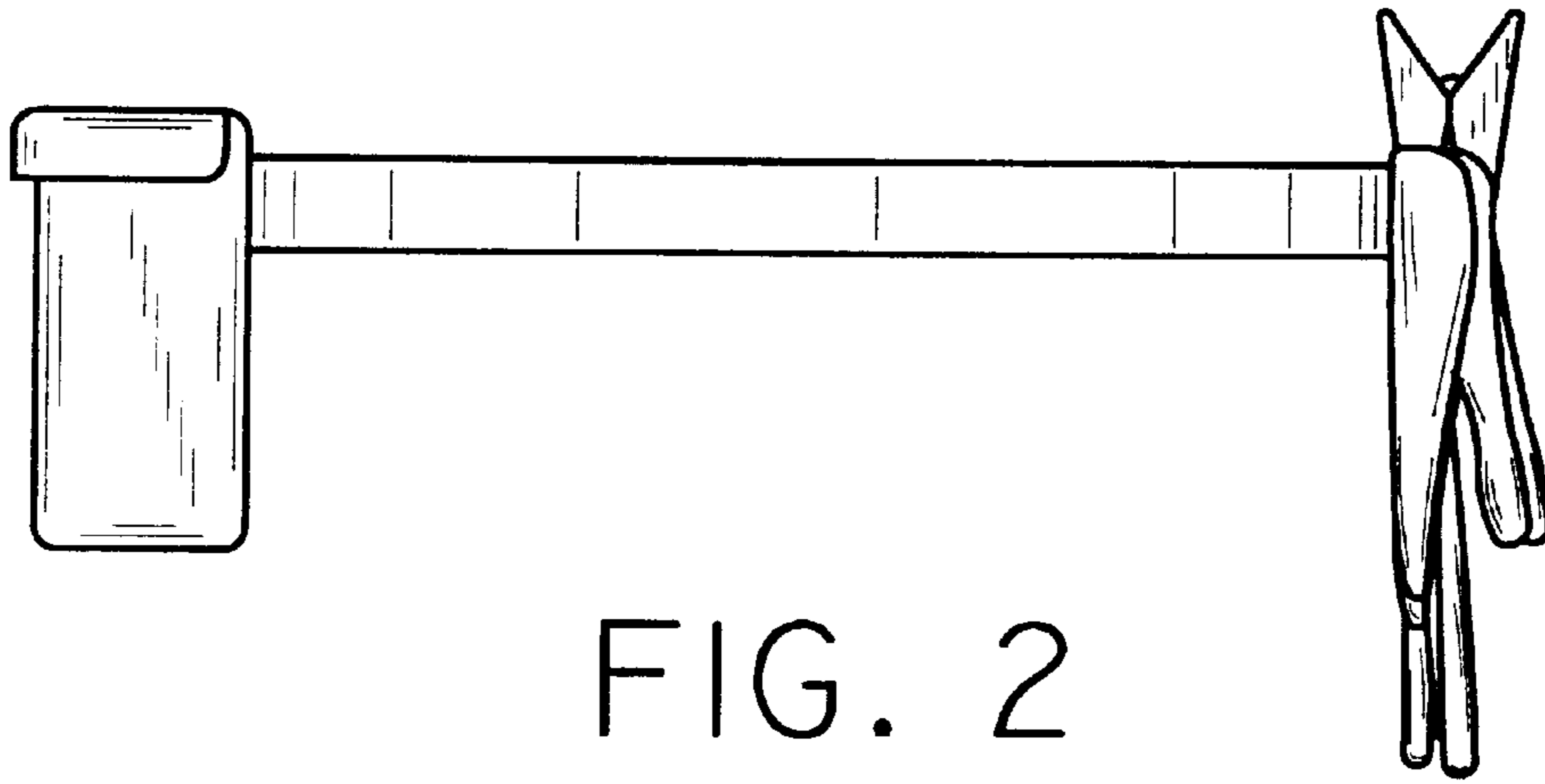


FIG. 2

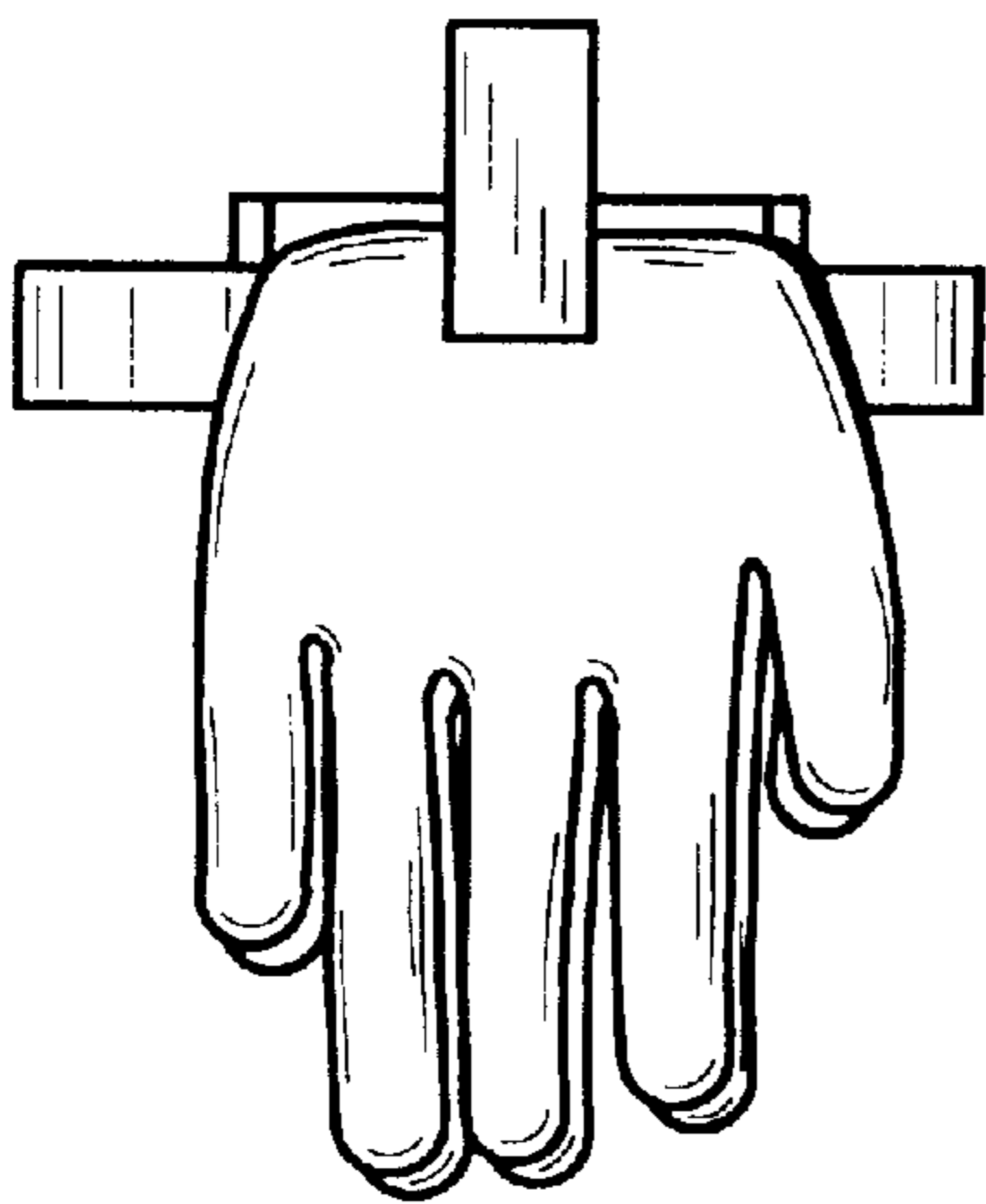


FIG. 3

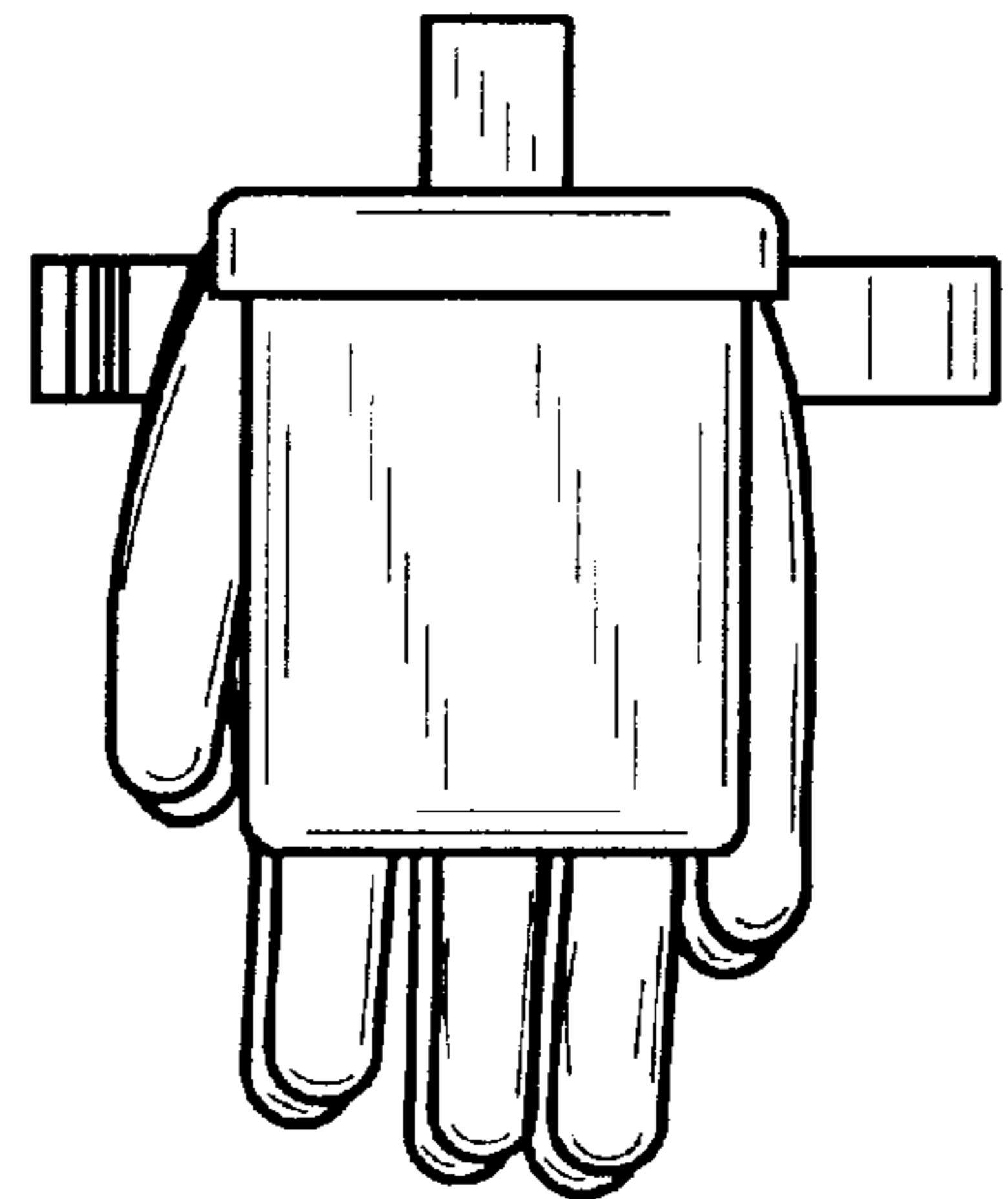


FIG. 4

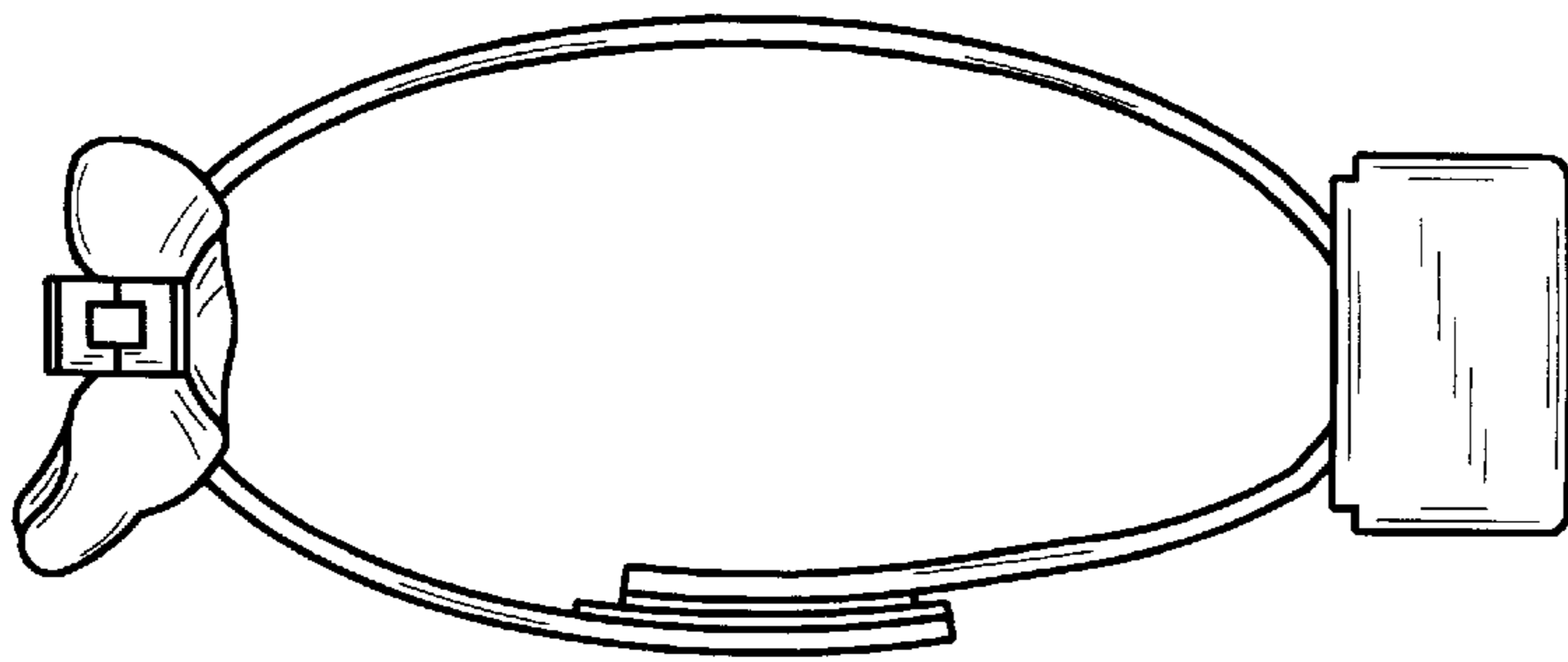


FIG. 5

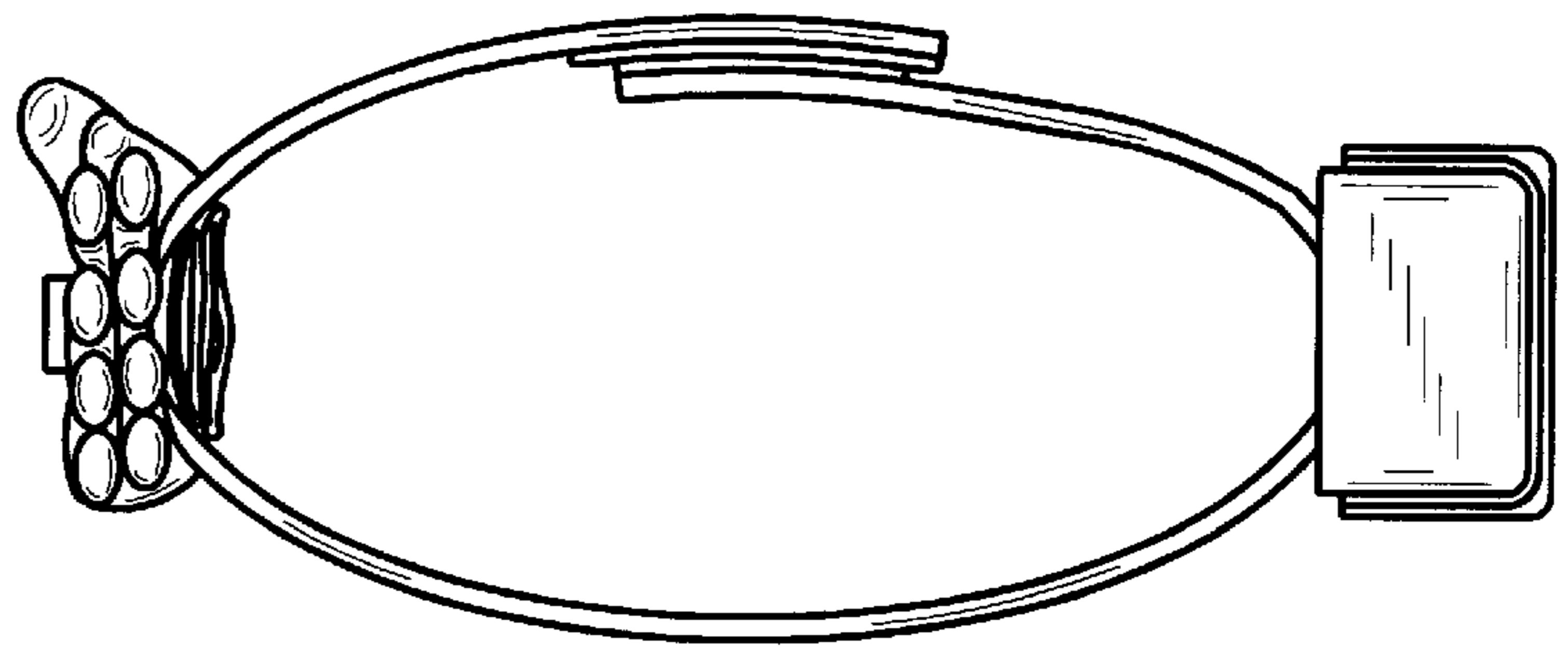


FIG. 6

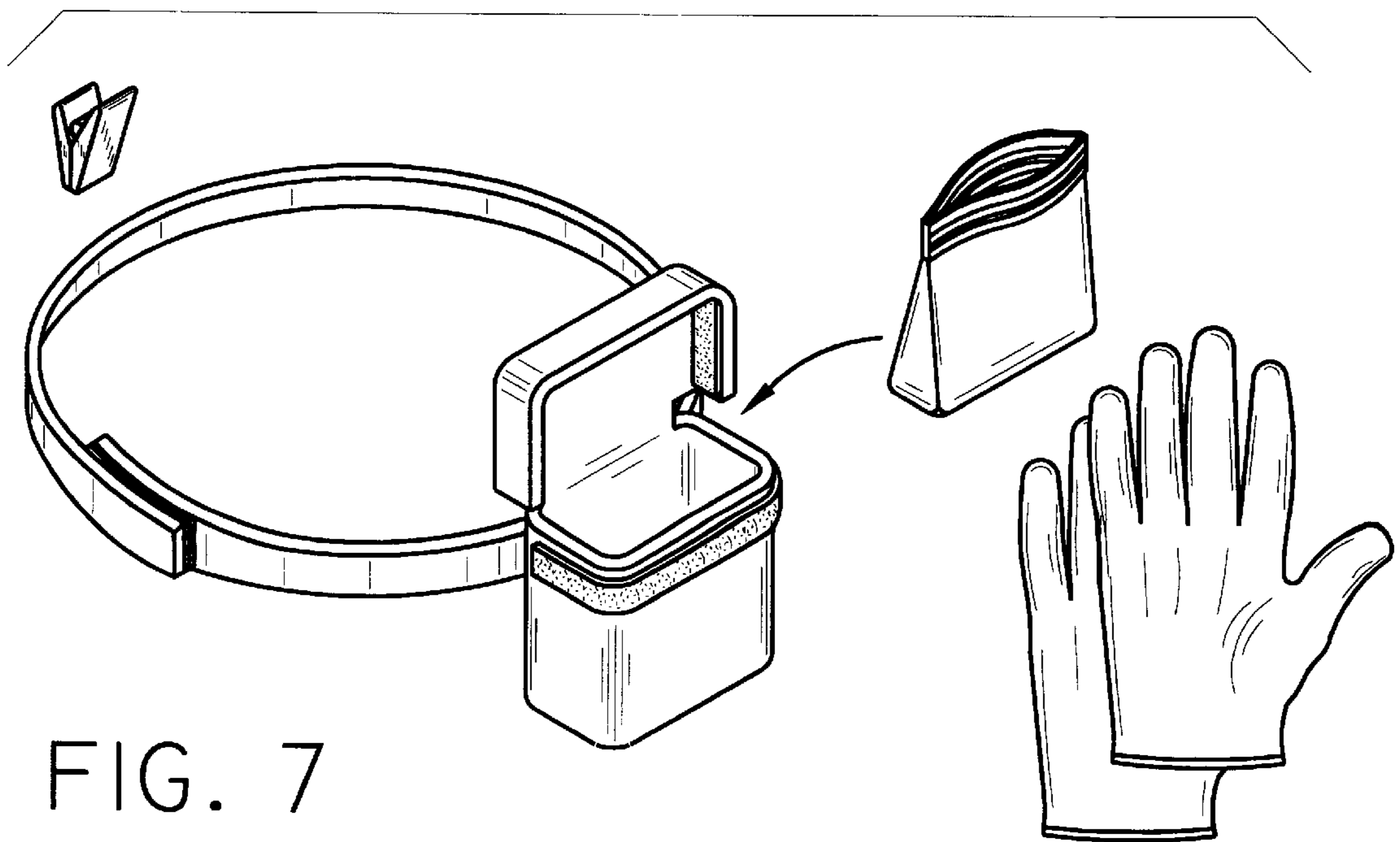


FIG. 7