



US00D453057S

(12) **United States Design Patent**
Sewell

(10) **Patent No.:** **US D453,057 S**

(45) **Date of Patent:** **** Jan. 22, 2002**

(54) **PALLET**

(76) **Inventor:** **James D. Sewell**, 5005 Yarrow Ct., Fair Oaks, CA (US) 95628

(**) **Term:** **14 Years**

(21) **Appl. No.:** **29/119,669**

(22) **Filed:** **Mar. 3, 2000**

(51) **LOC (7) Cl.** **09-08**

(52) **U.S. Cl.** **D34/38**

(58) **Field of Search** D34/38; 108/51.1, 108/51.11, 51.3, 52.1, 53.1, 53.3, 55.3, 56.1, 57.1

(56) **References Cited**

U.S. PATENT DOCUMENTS

2,388,730 A 11/1945 Fallert
2,444,183 A 6/1948 Cahners
2,446,914 A 8/1948 Fallert et al.

(List continued on next page.)

OTHER PUBLICATIONS

Eagle Packaging, Inc., "Pallet Bulk Bin Flyer", Entire Flyer.
Corrcycle, Inc. "Recycled Corrugated Products Brochure", Entire Brochure.

Stone Container Corporation "Stone Cordeck Pallets Brochure" Entire Brochure, Feb. 1986.

Pallite Co., Inc., Flyer "Lightweight—Disposable 4 Way—Single or Double Deck Flyer", Entire Flyer, 1991.

Smurfit Pallet Systems, "PayLoad Pallet Brochure", Entire Brochure.

Smurfit Pallet Systems, "PayLoad II Brochure", Entire Brochure.

Smurfit Pallet Systems, "PayLoad Pak Brochure", Entire Brochure.

Stone Container Corporation, "Corrugated Container Brochure", Entire Brochure.

(List continued on next page.)

Primary Examiner—Cynthia E. Ramirez

(74) *Attorney, Agent, or Firm*—Bernhard Kreten

(57) **CLAIM**

The ornamental design for a pallet, as shown and described.

DESCRIPTION

FIG. 1 is an exploded perspective view of the pallet showing my new design;

FIG. 2 is a perspective view thereof of the pallet in an opened position;

FIG. 3 is a perspective view thereof of the pallet partially closed;

FIG. 4 is a perspective view thereof of the pallet further closed;

FIG. 5 is a perspective view thereof of the pallet closed;

FIG. 6 is an end view thereof of a central support;

FIG. 7 is a one side view thereof of the central support;

FIG. 8 is another side view thereof of the central support;

FIG. 9 is a top view thereof of the central support;

FIG. 10 is a bottom view thereof of the central support;

FIG. 11 is an end view thereof of a side support;

FIG. 12 is a one side view thereof of the side support;

FIG. 13 is another side view thereof of the side support;

FIG. 14 is a top view thereof of the side support;

FIG. 15 is a bottom view thereof of the side support;

FIG. 16 is side view thereof of the assembled pallet;

FIG. 17 is an end view thereof of the assembled pallet;

FIG. 18 is a top view thereof of the assembled pallet;

FIG. 19 is a bottom view thereof of the assembled pallet;

FIG. 20 is an edge view thereof of one outer layer;

FIG. 21 is a plan view thereof of one outer layer;

FIG. 22 is a second edge view thereof of the one outer layer;

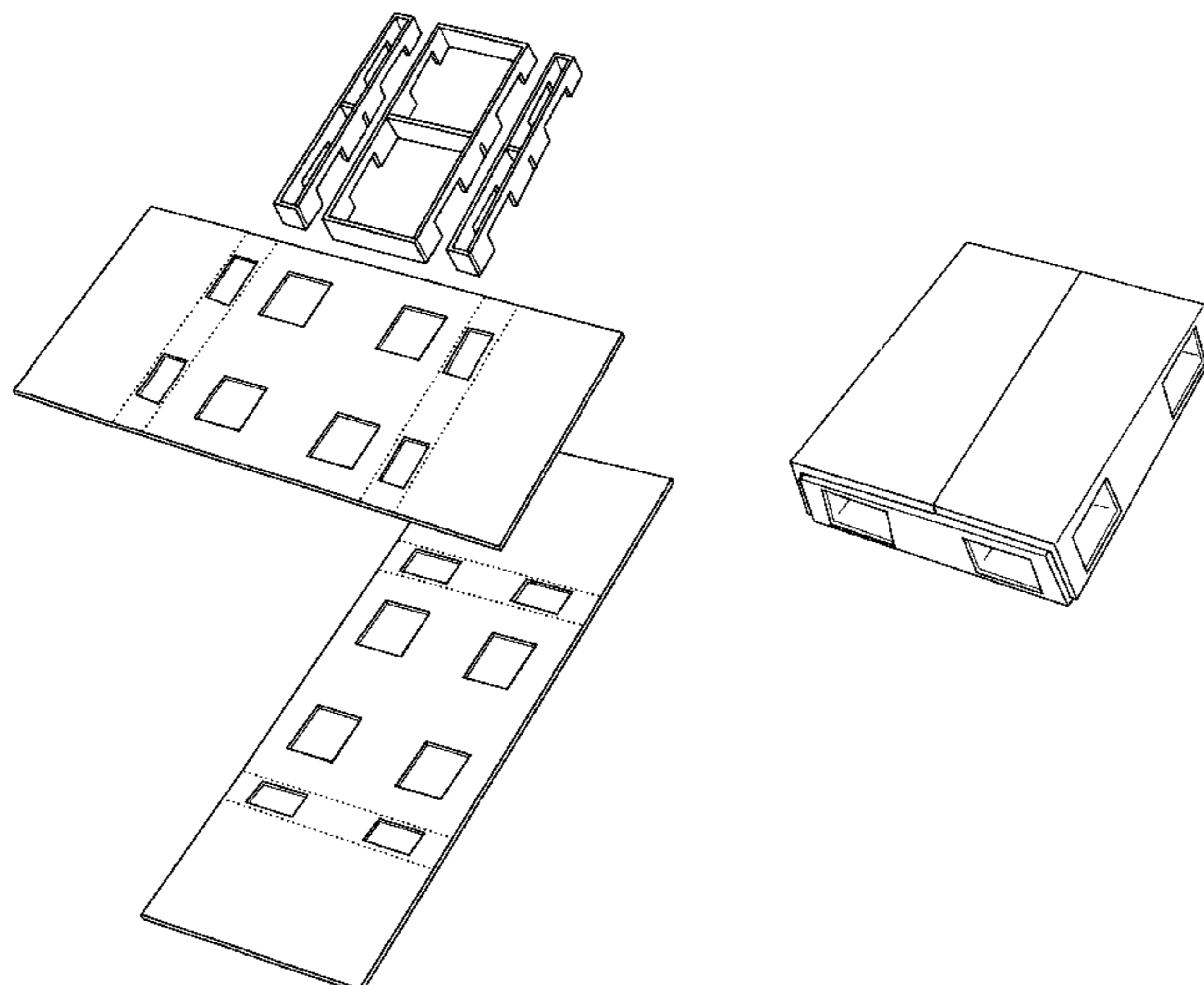
FIG. 23 is a first edge view thereof of another outer layer;

FIG. 24 is a plan view thereof of the other outer layer; and,

FIG. 25 is a second edge view thereof of the other outer layer.

All the elements of the pallet are being shown individually in FIGS. 6 through 15 and 20 through 25 for convenience of illustration.

1 Claim, 7 Drawing Sheets



US D453,057 S

Page 2

U.S. PATENT DOCUMENTS

2,576,715 A	11/1951	Farrell	
2,957,668 A	10/1960	Norquist et al.	
2,996,276 A	8/1961	Sorensen et al.	
3,079,876 A	3/1963	Doane	
3,302,593 A	2/1967	Roberts	
3,464,371 A	* 9/1969	Gifford	108/51.11
3,587,479 A	6/1971	Geschwender	
D221,636 S	* 8/1971	Moses	D34/38
D221,744 S	* 9/1971	Cetrone et al.	D34/38
3,628,469 A	12/1971	Neitzke	
3,659,534 A	* 5/1972	Childs	108/56.1
3,911,834 A	10/1975	Quaintance	
3,952,672 A	* 4/1976	Gordon et al.	108/56.1
4,399,972 A	8/1983	McCulloch	
4,424,753 A	1/1984	Eatherton	
4,487,136 A	12/1984	Beckway	
5,355,812 A	10/1994	Kilpatrick et al.	
5,383,409 A	1/1995	Hayakawa	
5,388,531 A	2/1995	Crews et al.	
D357,108 S	* 4/1995	Hutchison	D34/38
5,413,824 A	5/1995	Van Erden	
5,465,672 A	11/1995	Boyse et al.	
D370,762 S	* 6/1996	Young, Jr. et al.	D34/38
5,528,994 A	6/1996	Iseli	
5,531,165 A	7/1996	Taravella et al.	
5,551,353 A	9/1996	Fiedler	
5,567,263 A	10/1996	Giasi	
5,569,148 A	10/1996	LaFreniere et al.	
5,590,606 A	1/1997	Crews et al.	
5,595,125 A	1/1997	Bridges, Jr.	
5,609,557 A	3/1997	Te	
5,660,119 A	* 8/1997	Perkins	108/51.3
5,672,412 A	9/1997	Phares et al.	
5,909,712 A	6/1999	Tan	
5,941,177 A	8/1999	Anderson	
D422,768 S	* 4/2000	Gunn	D34/38
6,070,726 A	6/2000	Graham	
D428,679 S	* 7/2000	Bridge	D34/38
6,095,061 A	8/2000	Perazzo	

OTHER PUBLICATIONS

Stone Container Corporation, "Stone-A-Matic Flyer", Entire Flyer.
Stone Container Corporation, "Cross Docker Flyer", Entire Flyer.
Stone Container Corporation, "CorDeck Brochure", Entire Brochure.

* cited by examiner

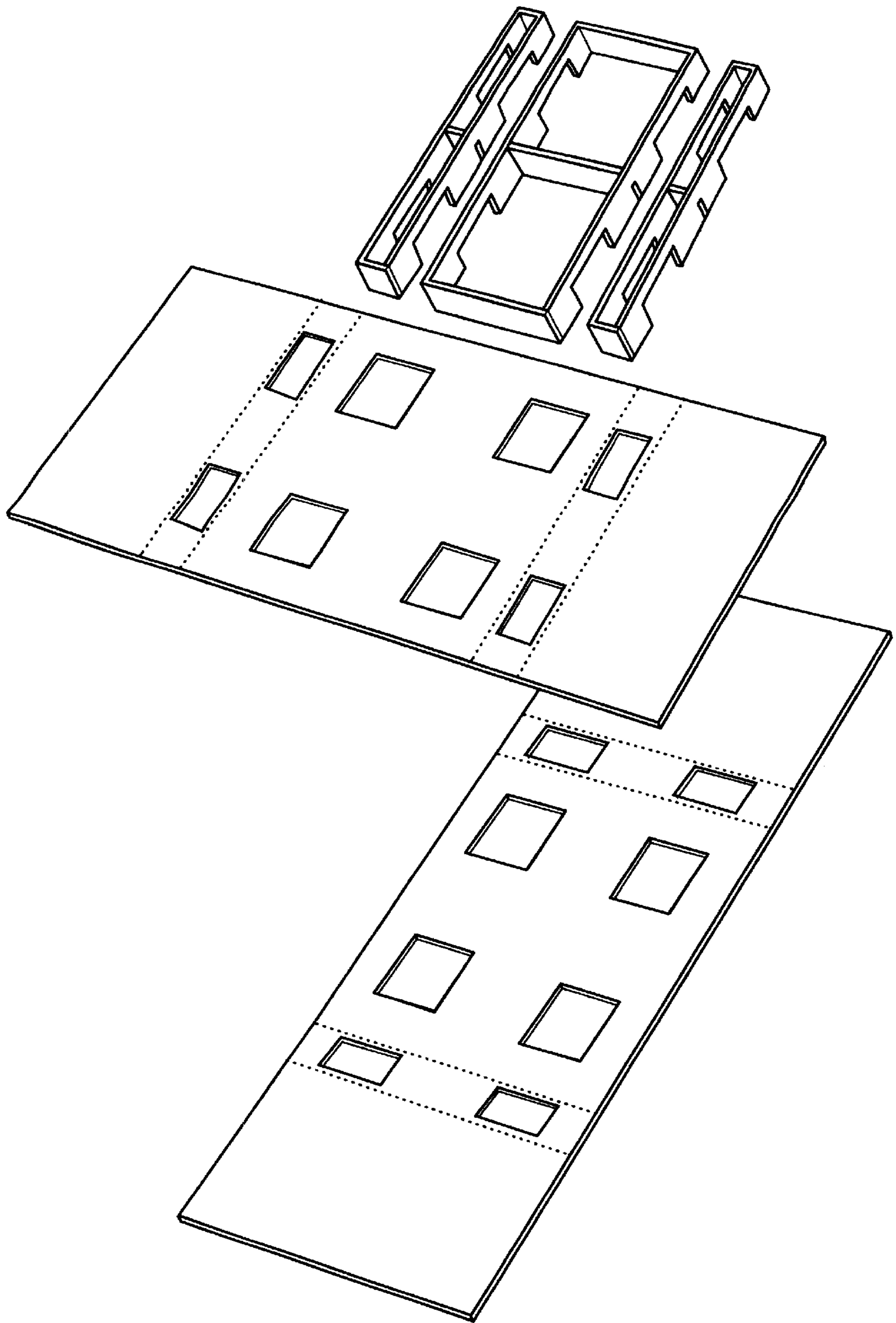


Fig. 1

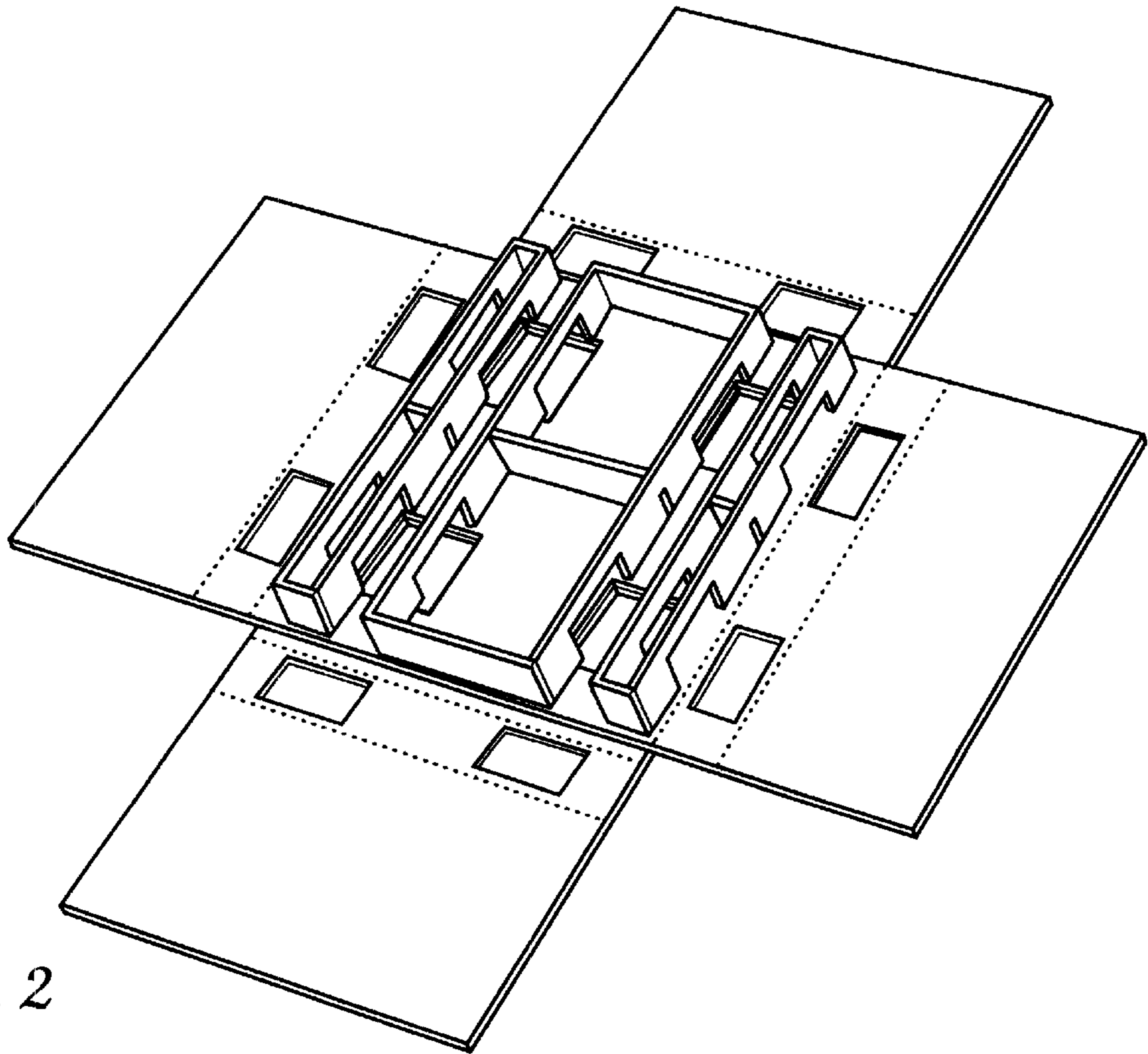


Fig. 2

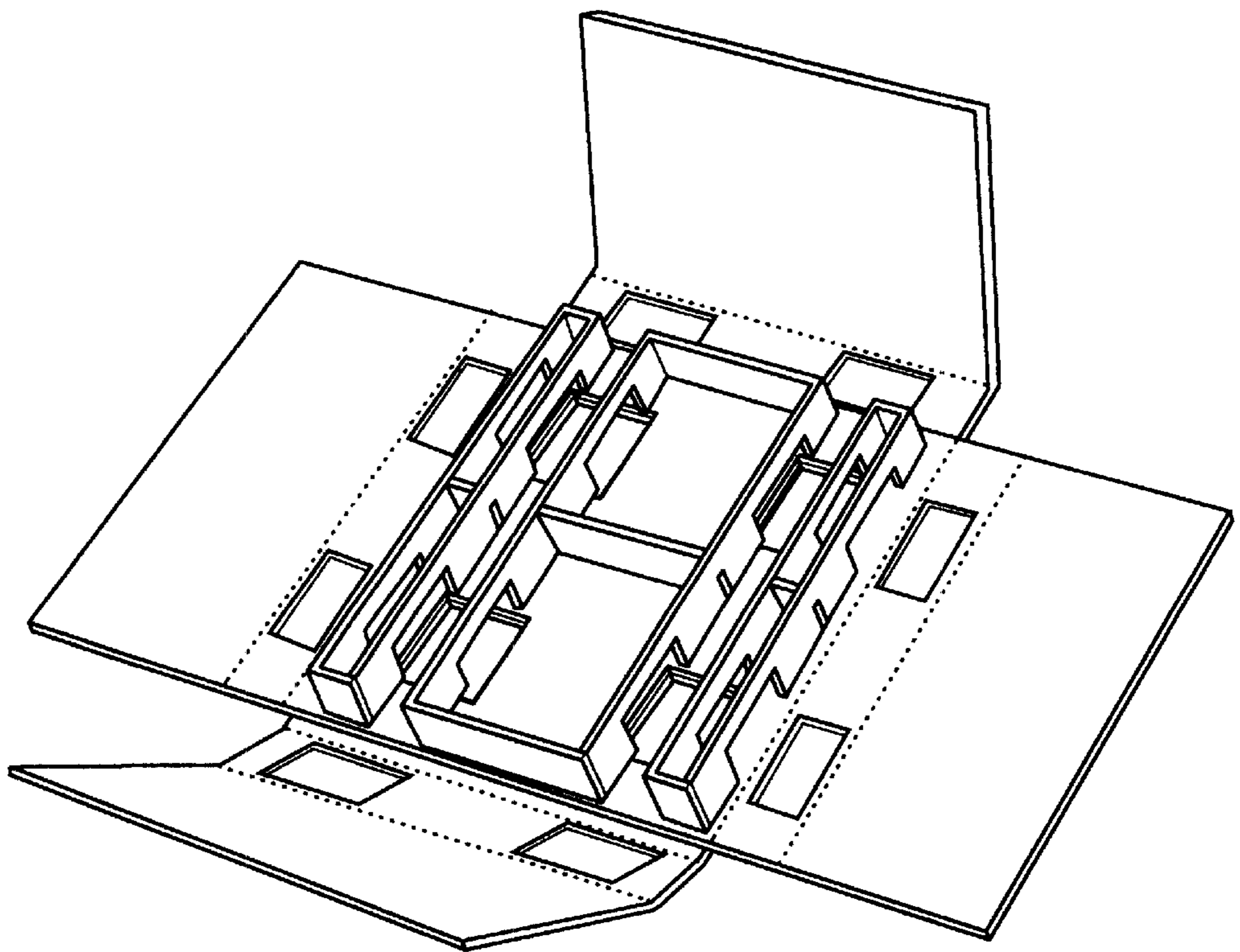


Fig. 3

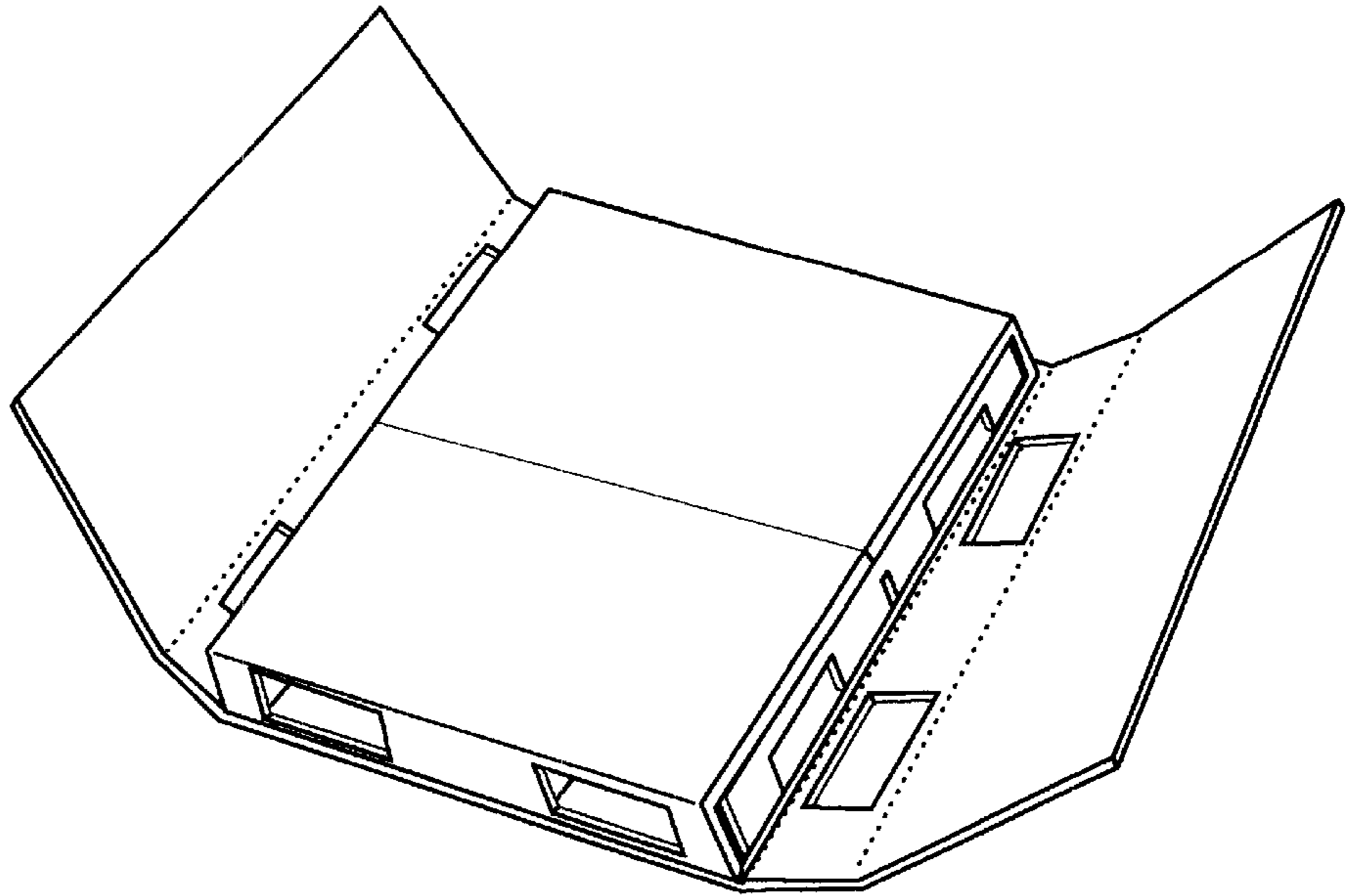


Fig. 4

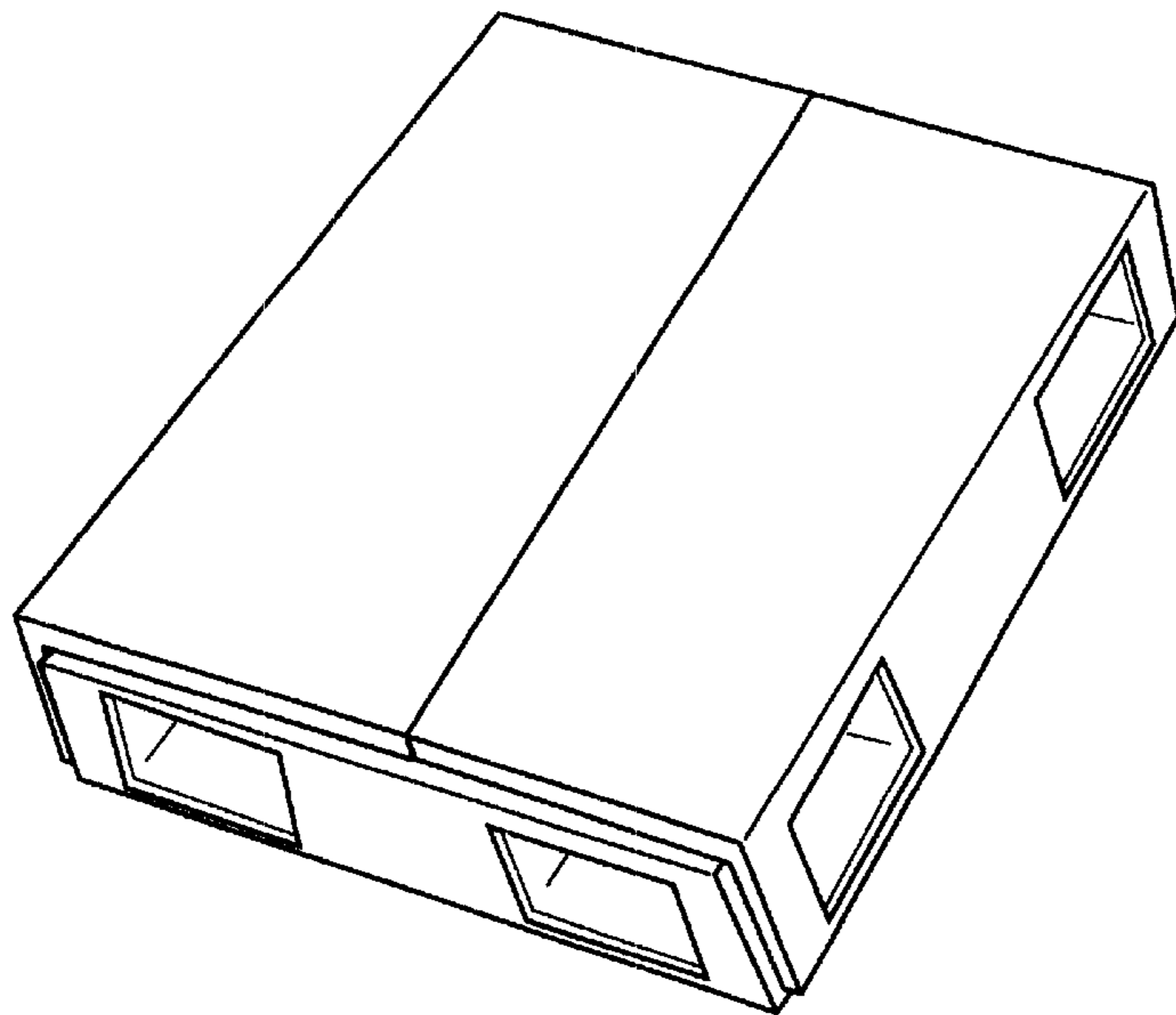


Fig. 5



Fig. 6

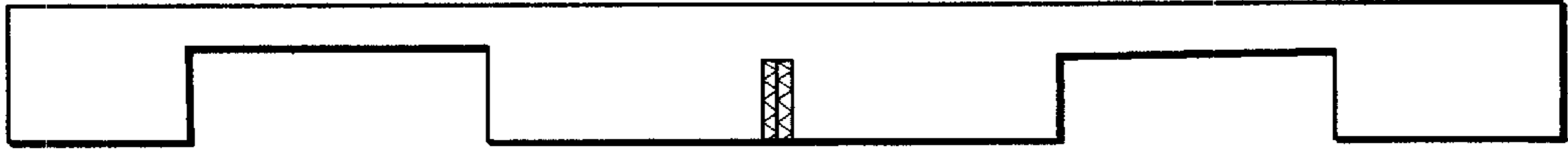


Fig. 7

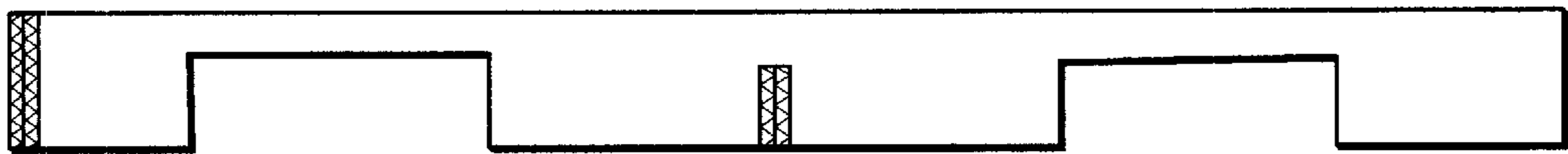


Fig. 8

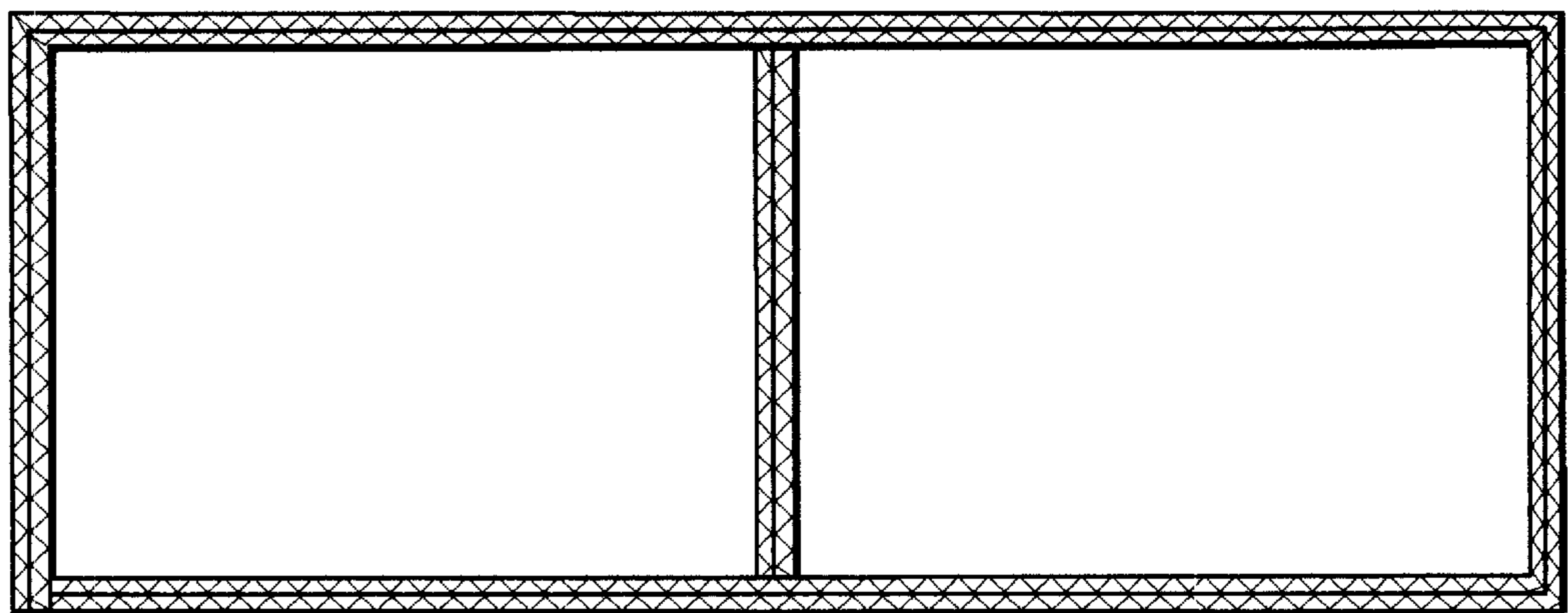


Fig. 9

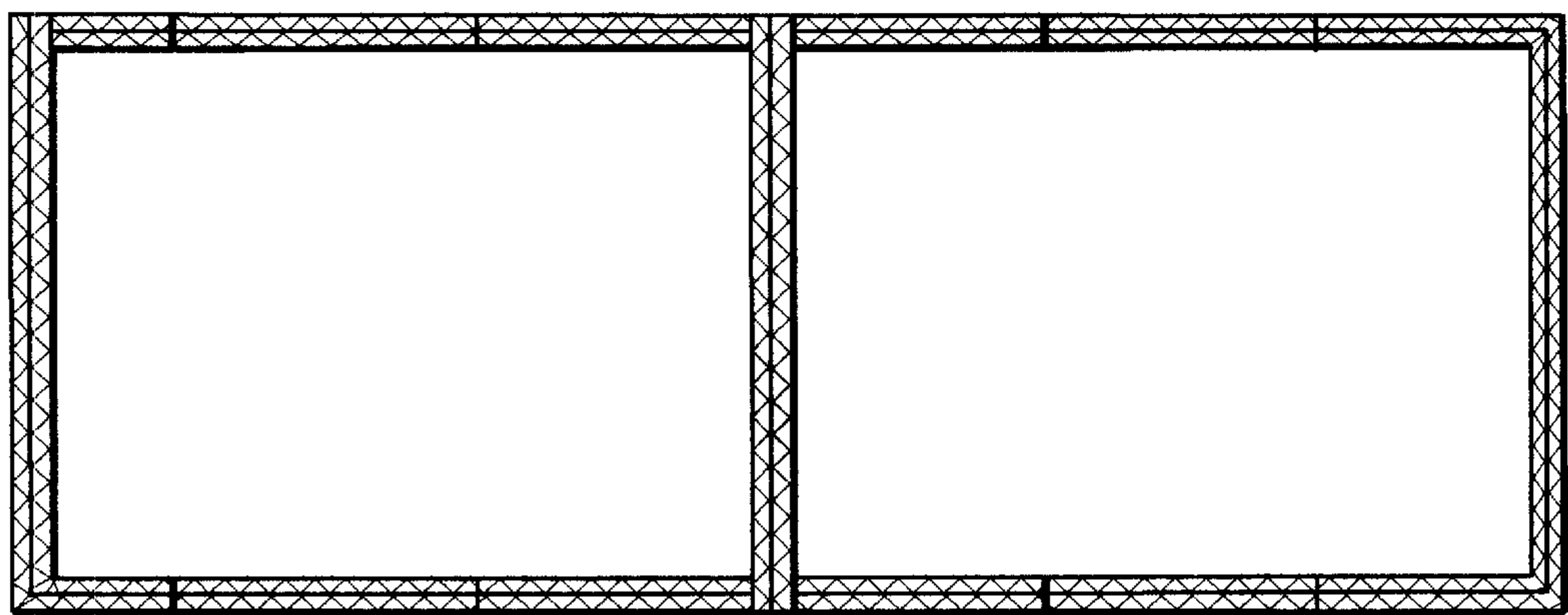


Fig. 10



Fig. 11

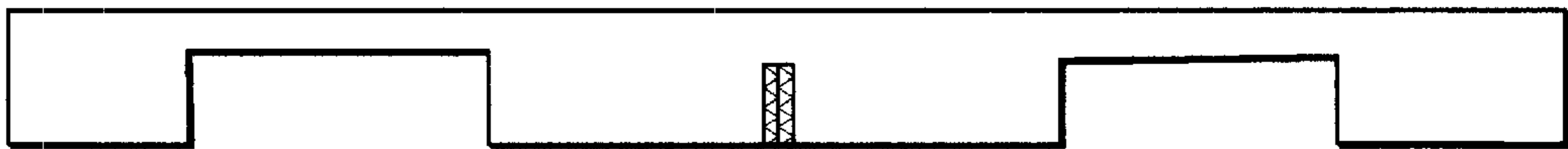


Fig. 12



Fig. 13

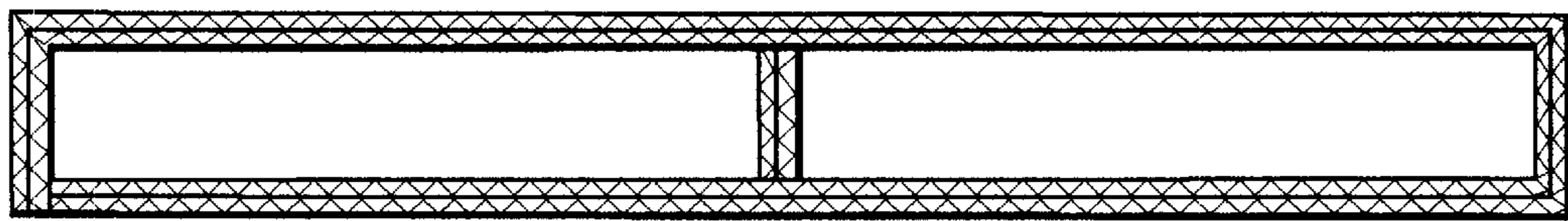


Fig. 14

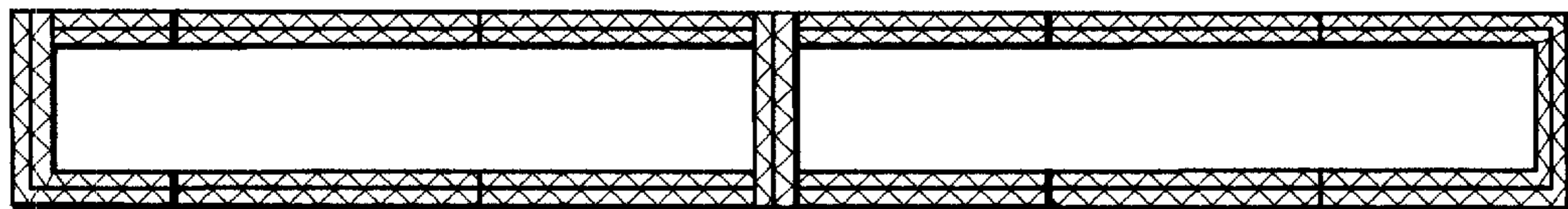


Fig. 15



Fig. 16



Fig. 17

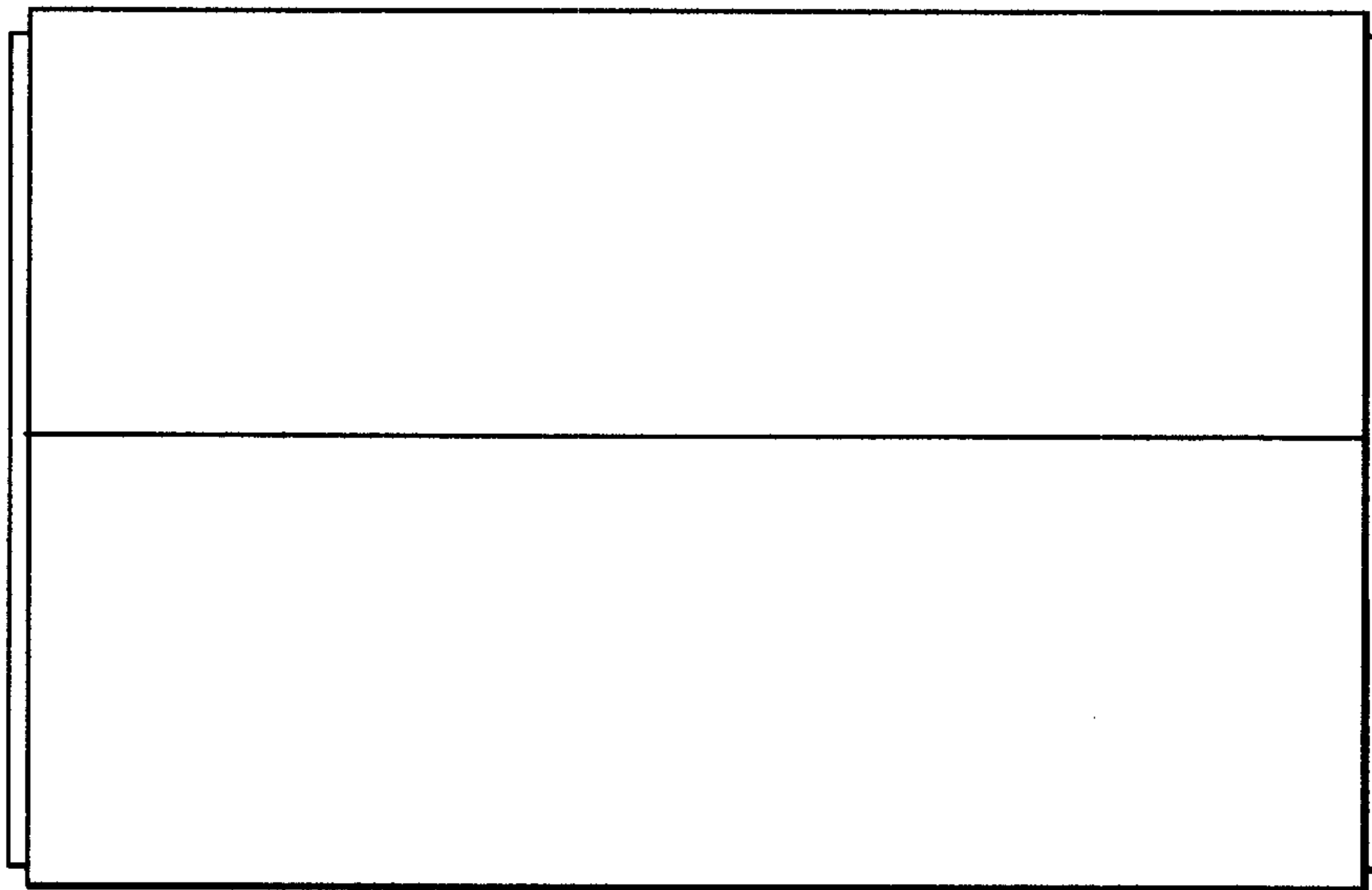


Fig. 18

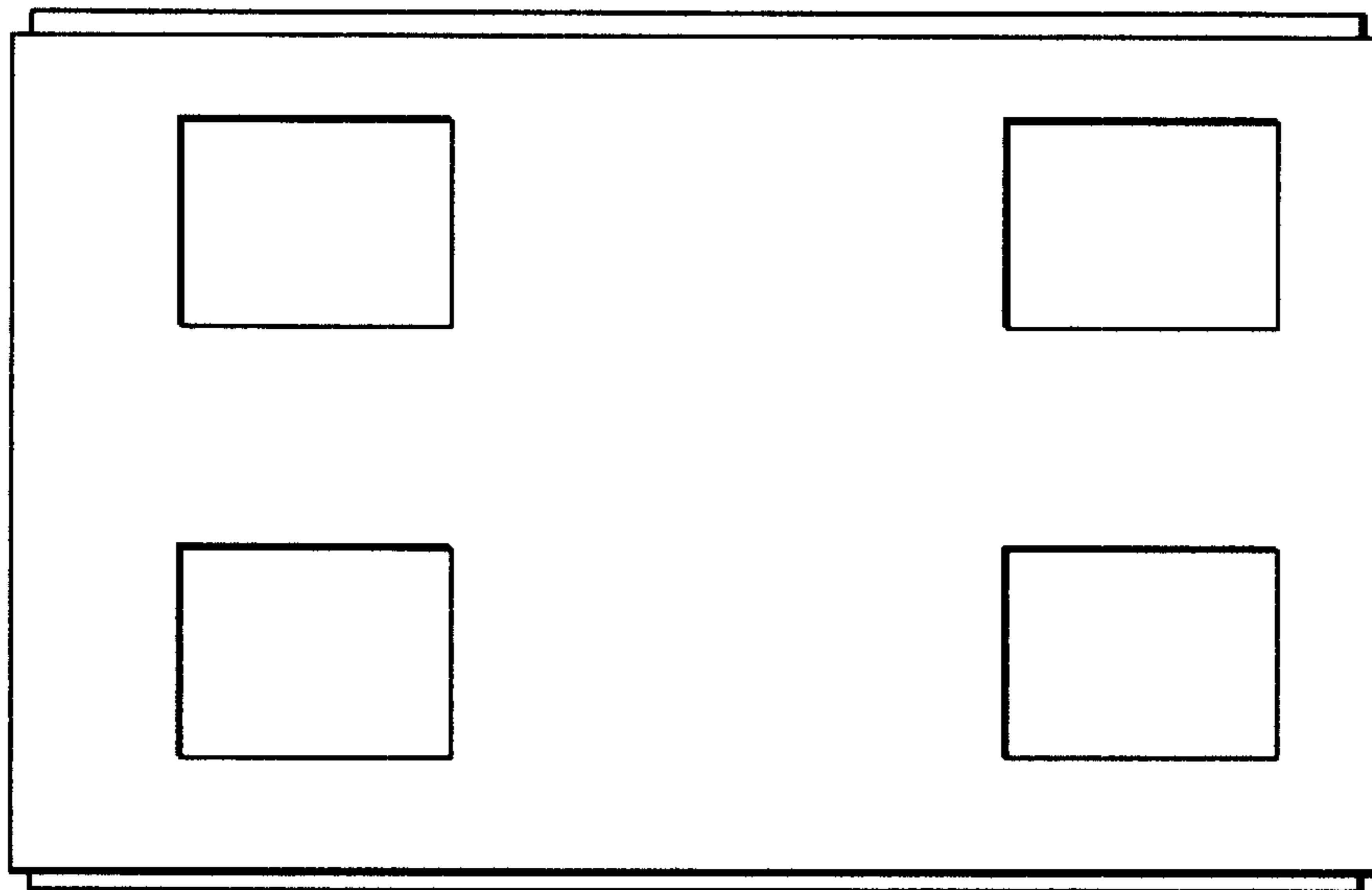


Fig. 19



Fig. 20

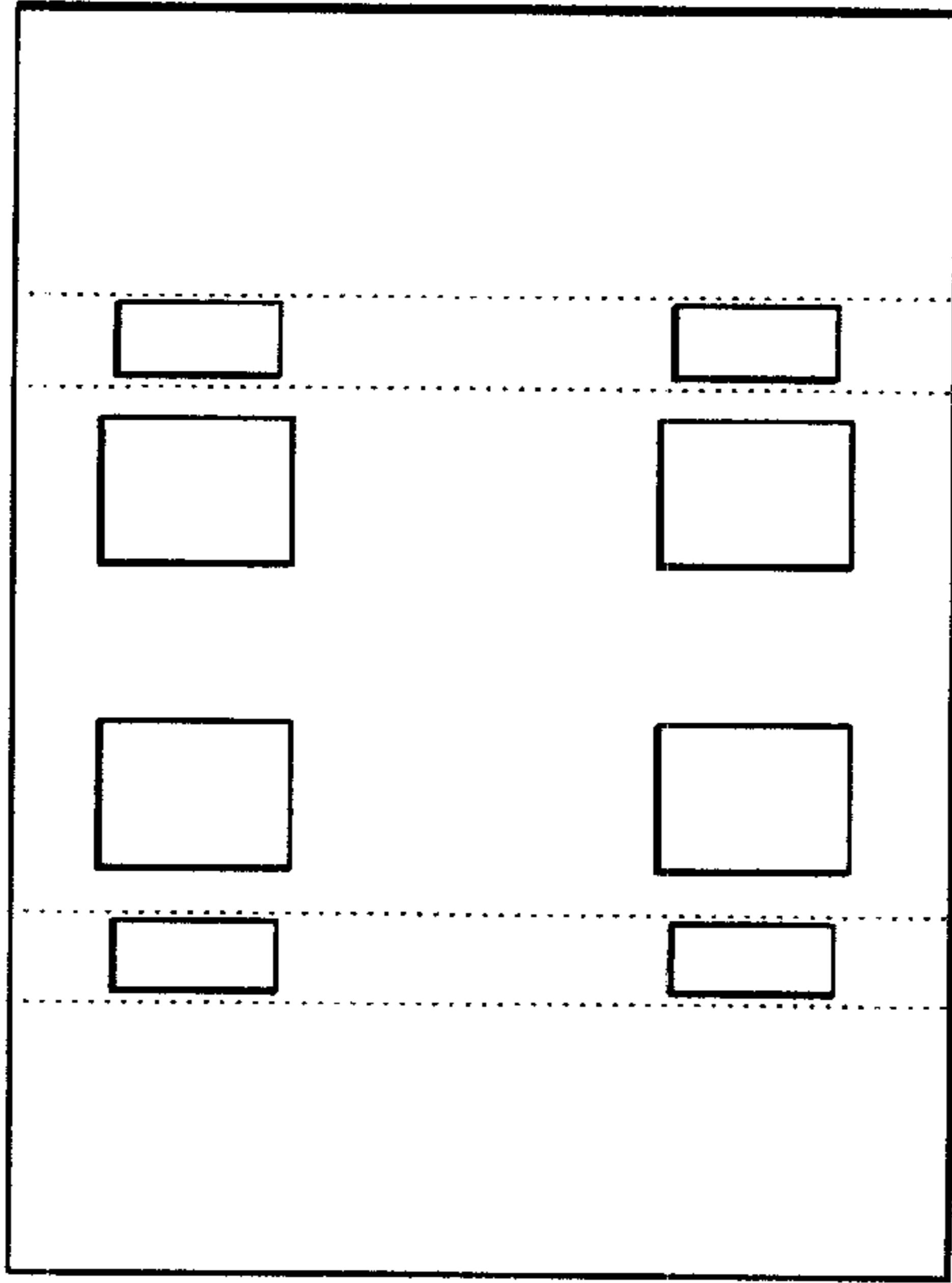


Fig. 21



Fig. 22



Fig. 23

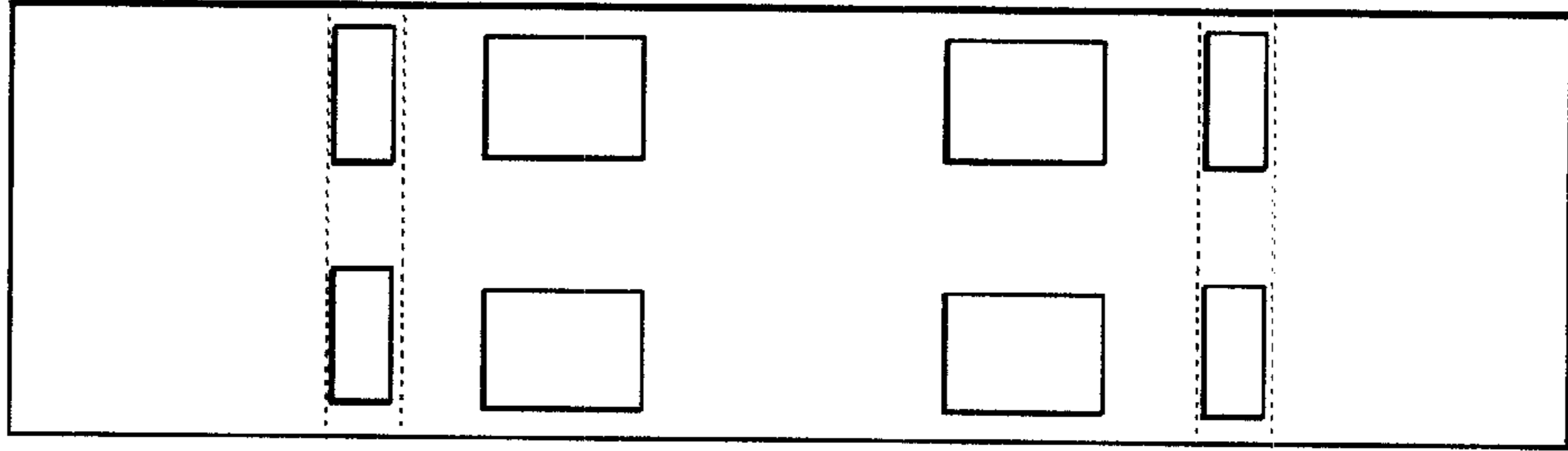


Fig. 24

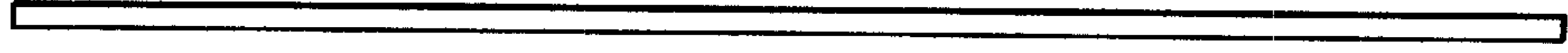


Fig. 25