



US00D453051S

(12) **United States Design Patent**
Hsu

(10) **Patent No.:** **US D453,051 S**

(45) **Date of Patent:** **** Jan. 22, 2002**

(54) **ASHTRAY**

D268,211 S * 3/1983 Polhemus D27/134

(75) **Inventor:** **Kevin Hsu**, Taichung (TW)

* cited by examiner

(73) **Assignee:** **Dong Guan Bright Yin Huey Lighting Co., Ltd.**, Guang Dong (CN)

Primary Examiner—Jennifer Rivard

(74) *Attorney, Agent, or Firm*—Rosenberg, Klein & Lee

(**) **Term:** **14 Years**

(57) **CLAIM**

(21) **Appl. No.:** **29/145,424**

The ornamental design for a ashtray, as shown and described.

(22) **Filed:** **Jul. 24, 2001**

DESCRIPTION

(51) **LOC (7) Cl.** **27-03**

(52) **U.S. Cl.** **D27/134**

(58) **Field of Search** D27/102, 103,
D27/133–135; D7/584, 586, 587; 131/231,
235.1, 240.1, 242.6

FIG. 1 is a perspective view of ashtray showing my new design;

FIG. 2 is a front elevation view thereof, the rear, the left and the right side elevation view thereof being identical in appearance;

FIG. 3 is a top plan view thereof; and,

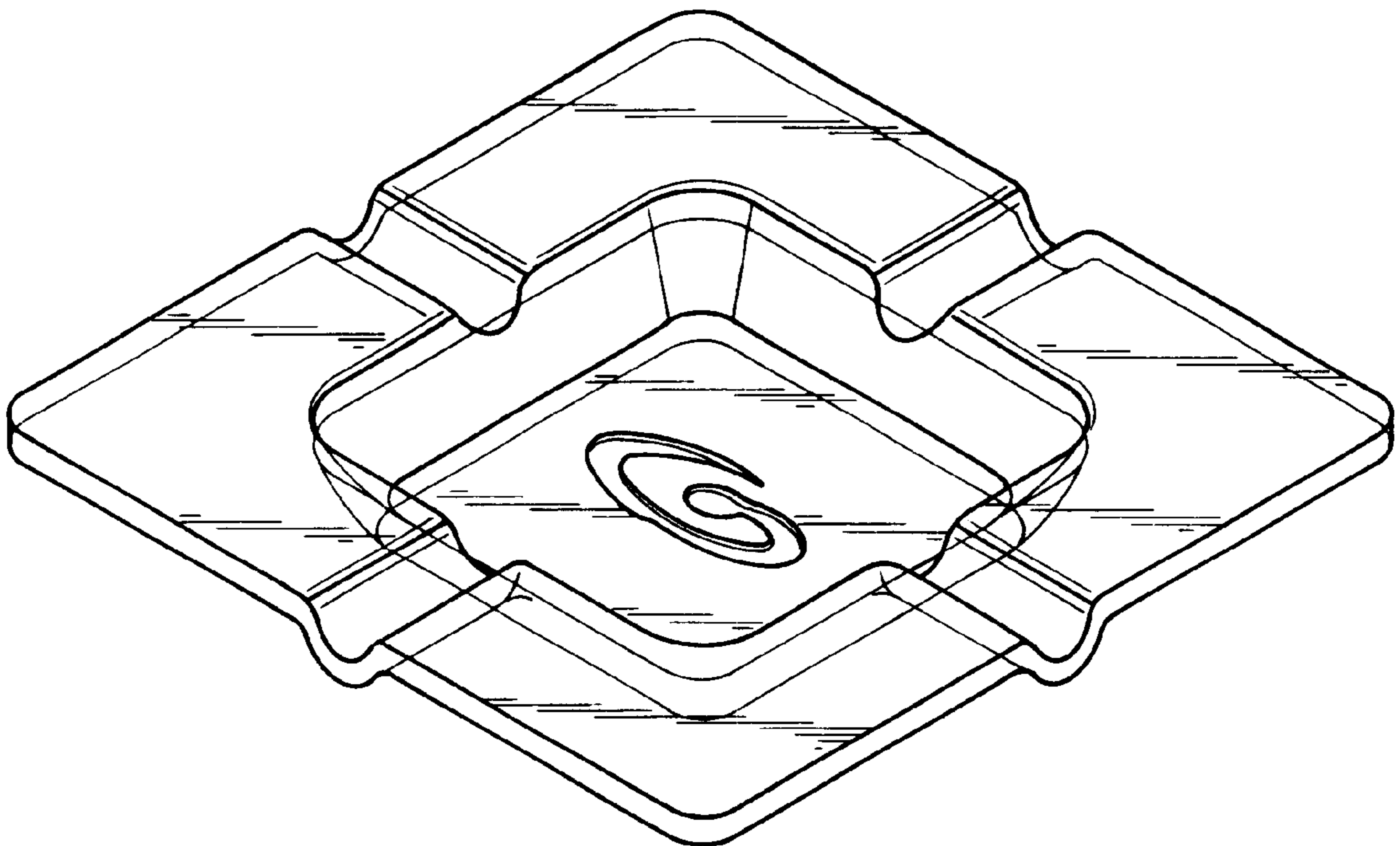
FIG. 4 is a bottom plan view thereof.

(56) **References Cited**

U.S. PATENT DOCUMENTS

D241,858 S * 10/1976 Vrignand D27/134

1 Claim, 3 Drawing Sheets



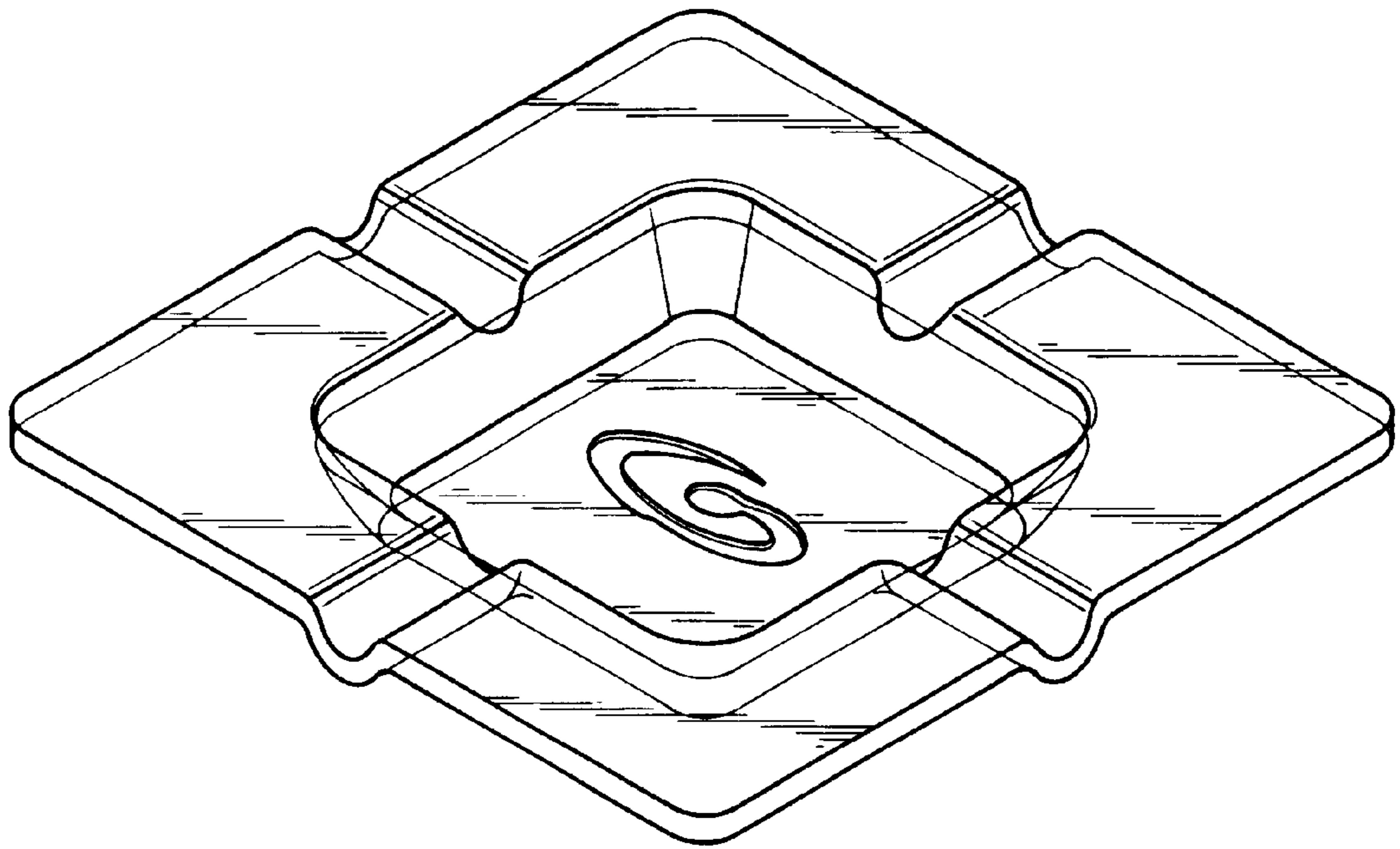


FIG. 1

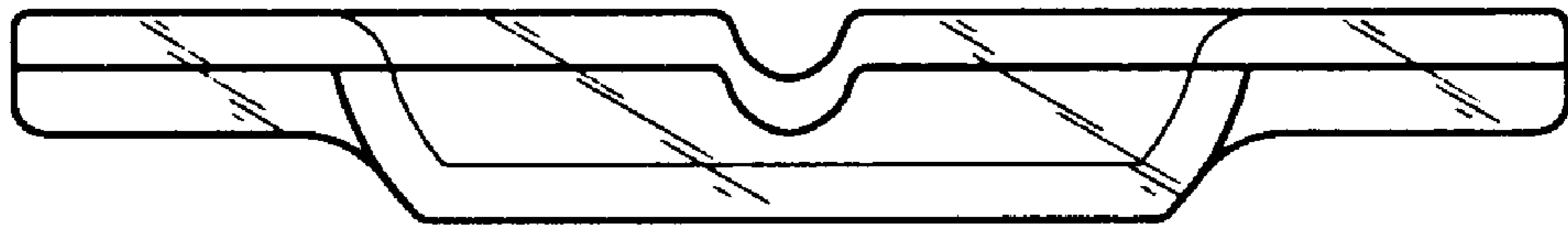


FIG. 2

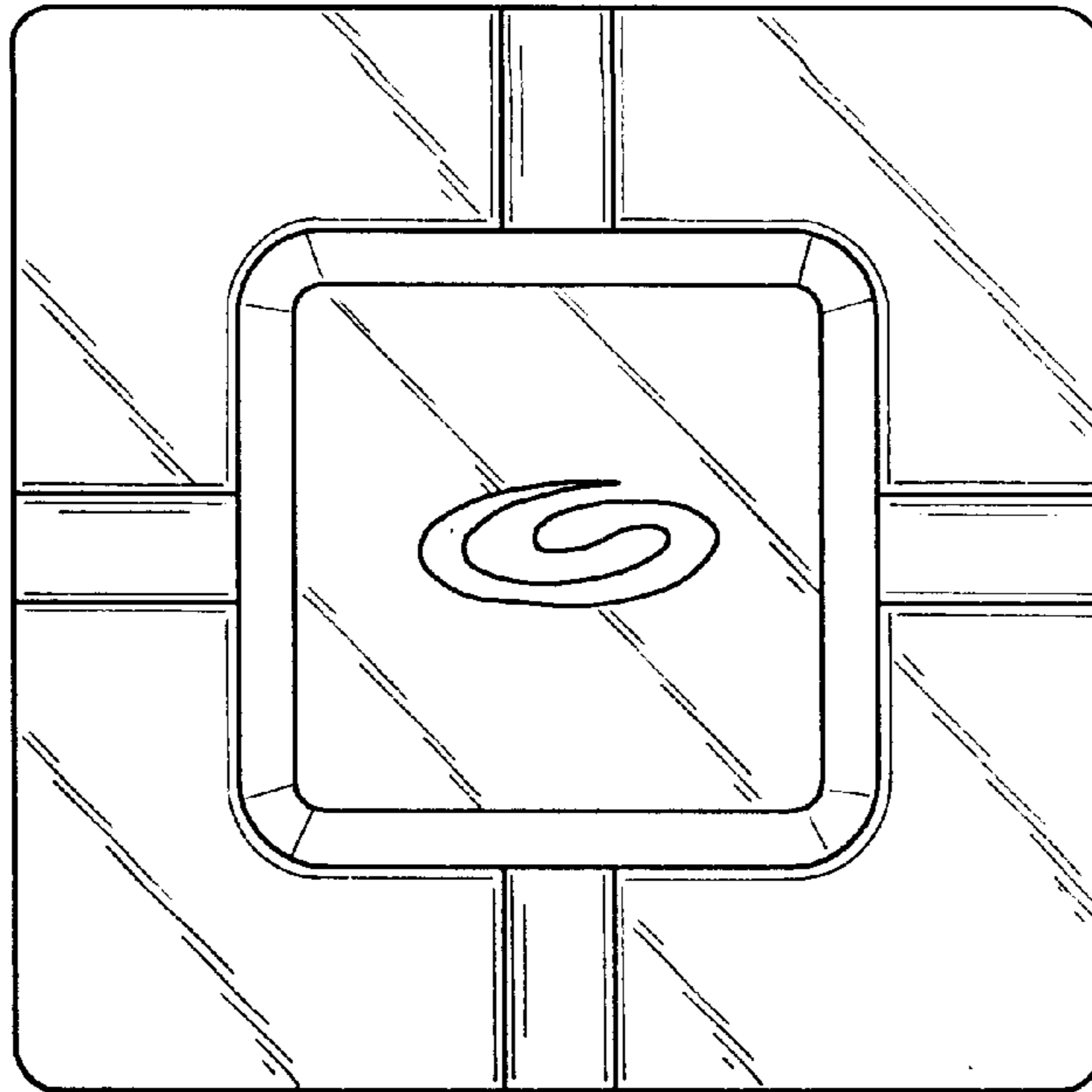


FIG. 3

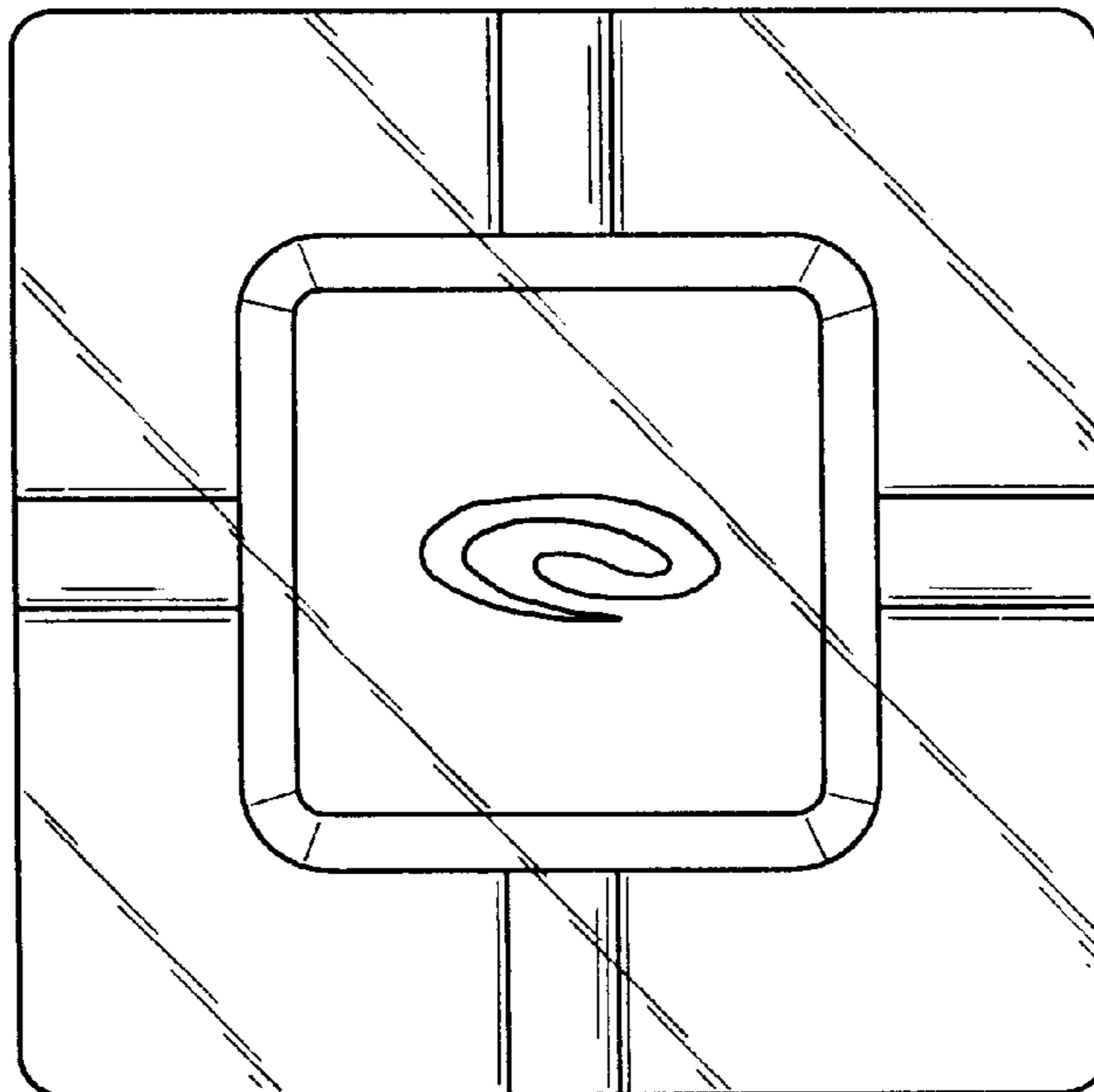


FIG. 4