



US00D453049S

(12) **United States Design Patent**
Swanson

(10) **Patent No.:** **US D453,049 S**

(45) **Date of Patent:** **** Jan. 22, 2002**

(54) **TORCHIERE TREE LAMP**

(75) Inventor: **Dennis K. Swanson**, Woodland Hills, CA (US)

(73) Assignee: **Lamps Plus, Inc.**, Chatsworth, CA (US)

(**) Term: **14 Years**

(21) Appl. No.: **29/135,829**

(22) Filed: **Jan. 10, 2001**

(51) **LOC (7) Cl.** **26-03**

(52) **U.S. Cl.** **D26/106**

(58) **Field of Search** D26/61-65, 93-112, D26/128-137; 362/410-414, 431, 326, 329, 334, 335, 340, 351, 352, 355, 358

(56) **References Cited**

PUBLICATIONS

Taiwan Lighting, Nov. 1999, Art Mark International Corp. lamps on p. 147.*

* cited by examiner

Primary Examiner—Alan P. Douglas

Assistant Examiner—Linda Brooks

(74) *Attorney, Agent, or Firm*—Fulbright & Jaworski L.L.P.

(57) **CLAIM**

The ornamental design for a torchiere tree lamp, substantially as shown and described.

DESCRIPTION

FIG. 1 is a perspective view of a torchiere tree lamp showing the design of the present invention; the portion shown in broken lines is to illustrate the environment of the design and forms no part thereof;

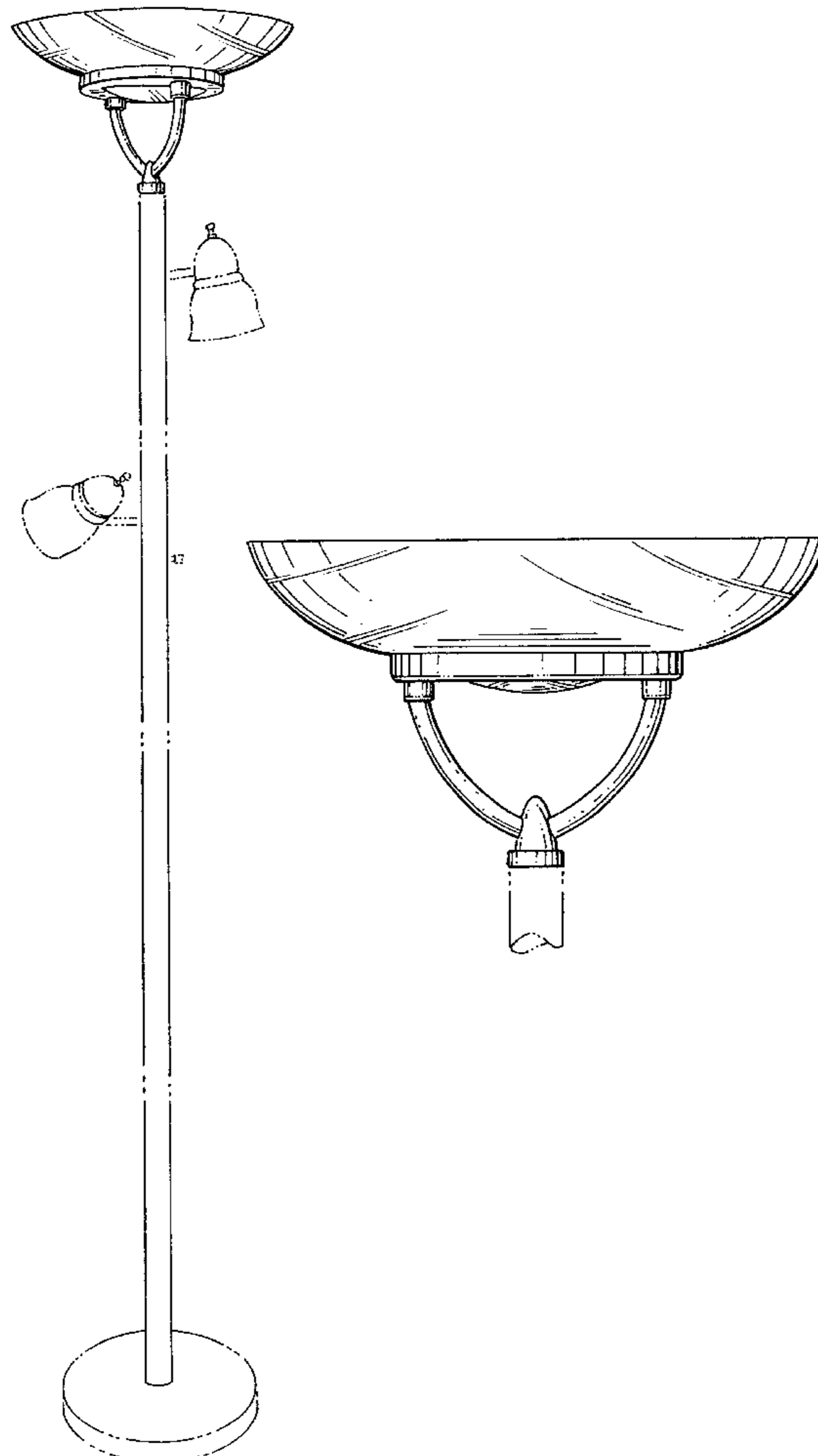
FIG. 2 is an enlarged front elevational view of the general area lighting portion thereof, shown separately for clarity;

FIG. 3 is a left side view of FIG. 2; the right side is a mirror image;

FIG. 4 is a top plan view of FIG. 2; and,

FIG. 5 is a bottom view of FIG. 2.

1 Claim, 2 Drawing Sheets



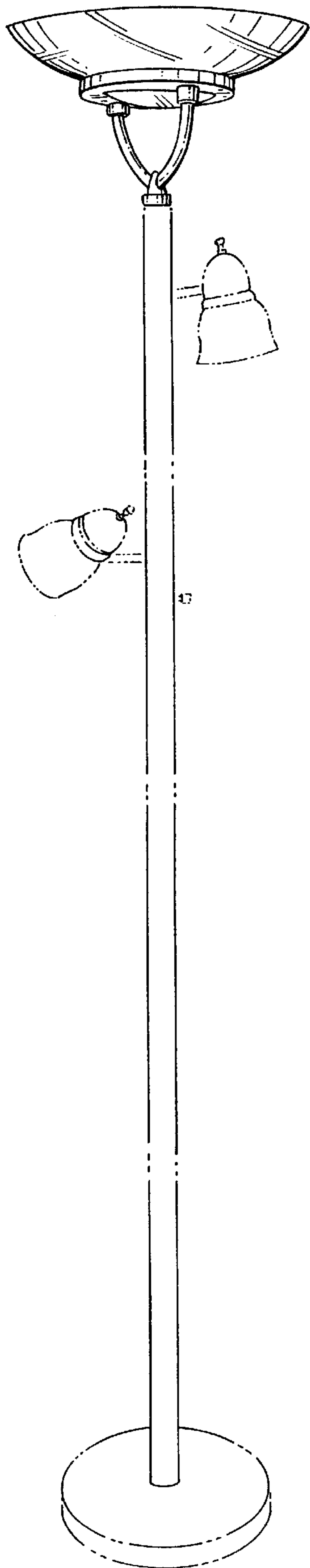


FIG. 1

FIG. 2

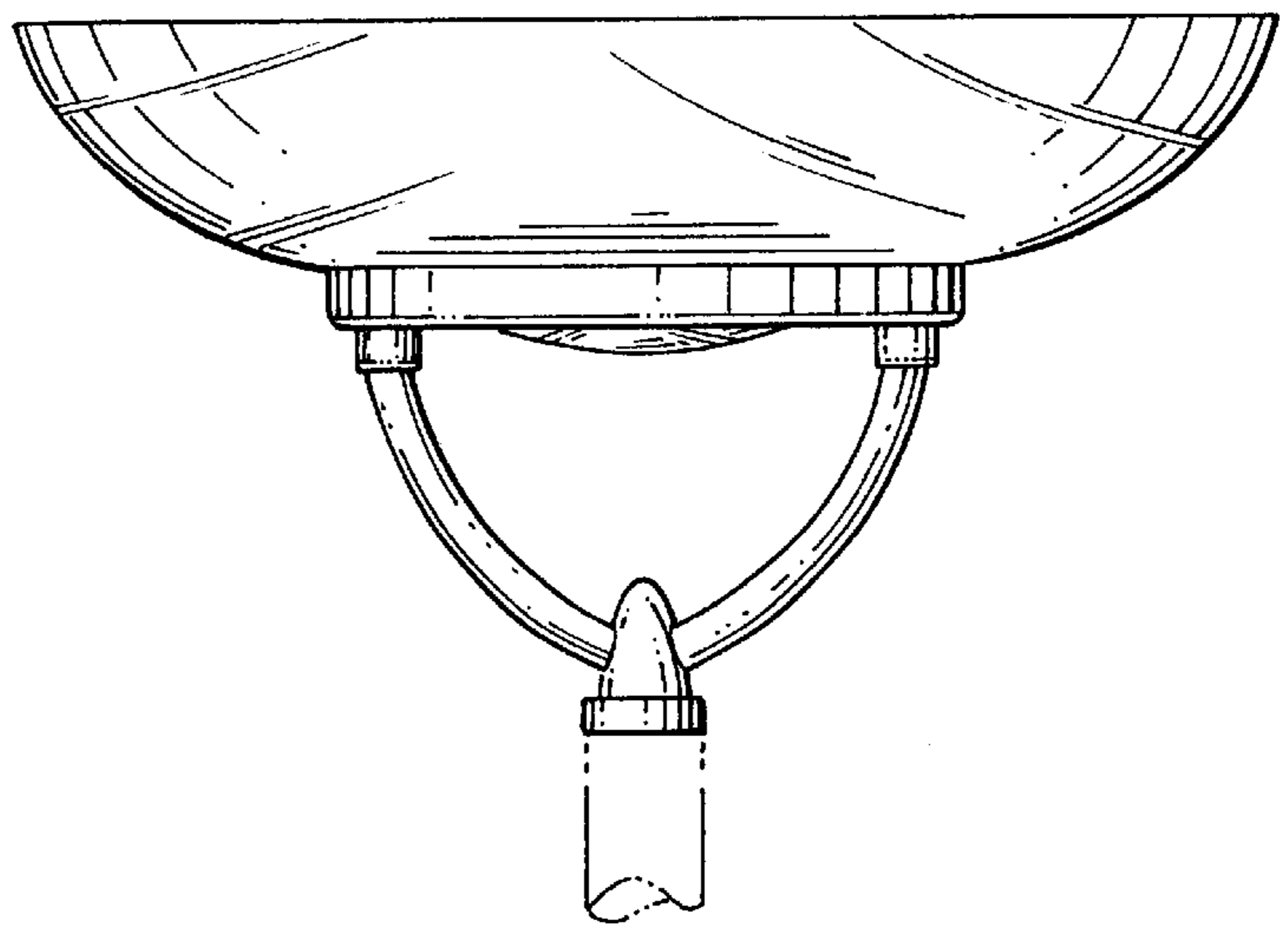


FIG. 3

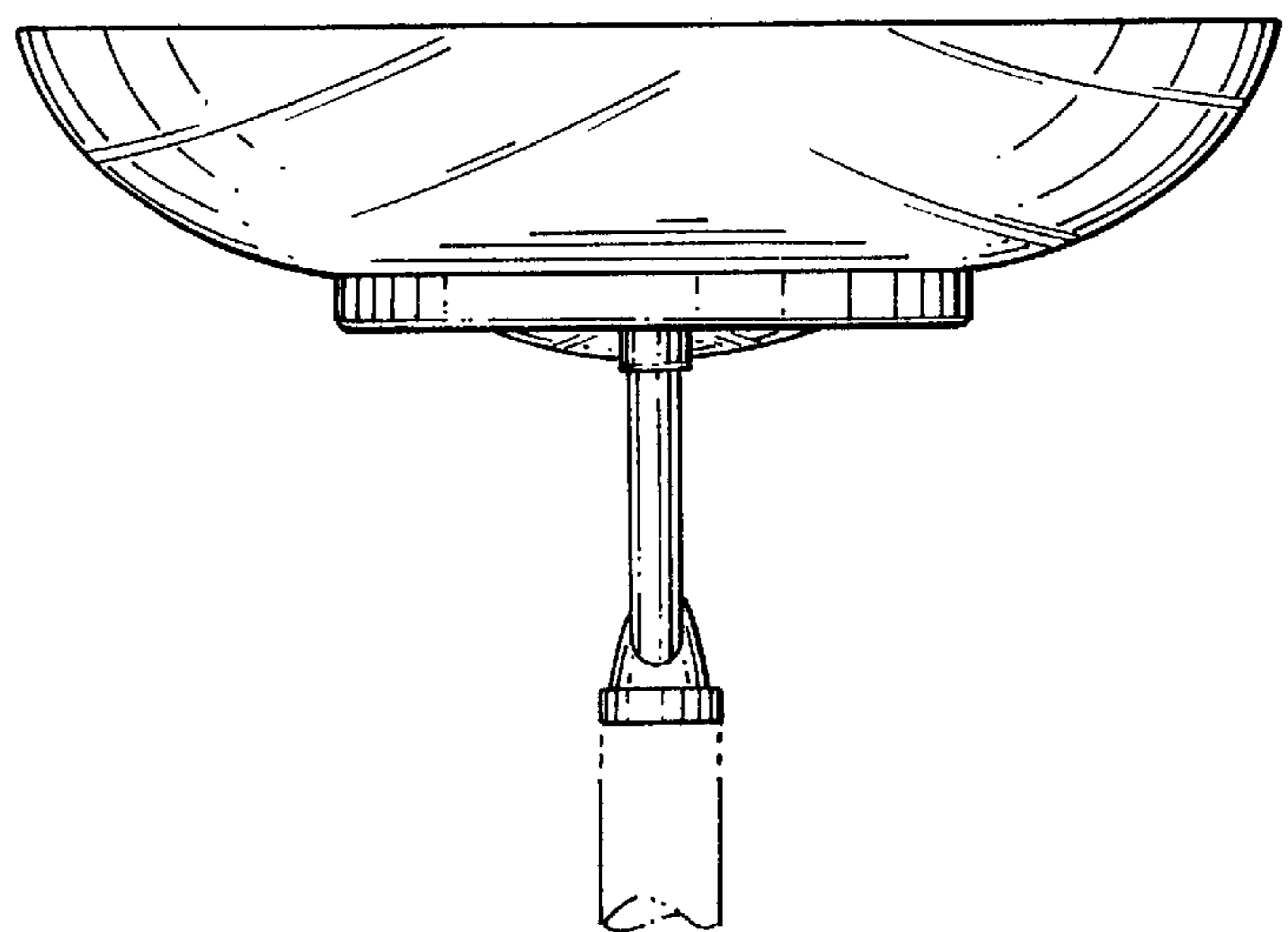


FIG. 4

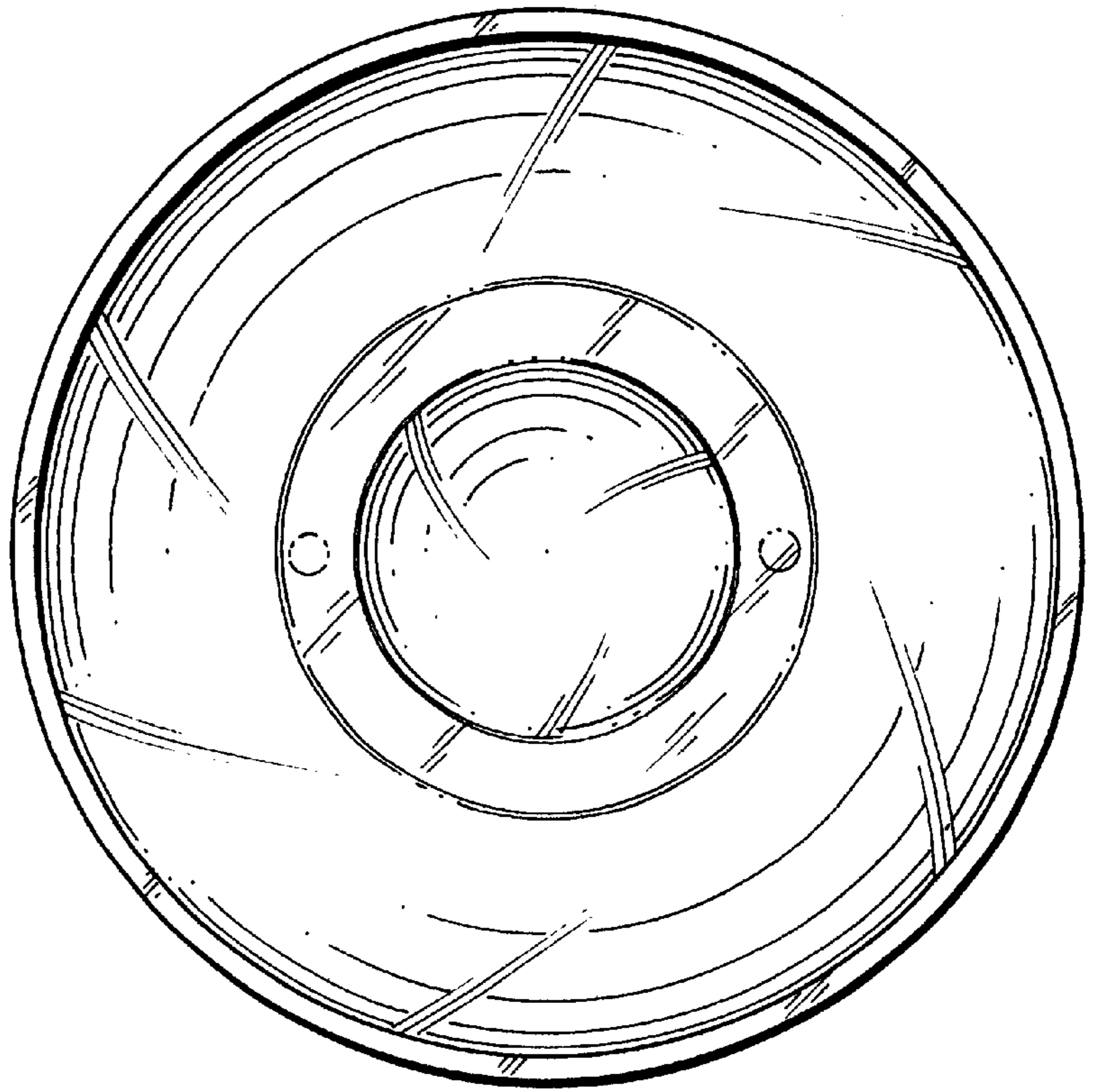


FIG. 5

