



US00D453047S

(12) **United States Design Patent**
Yuen

(10) **Patent No.:** **US D453,047 S**

(45) **Date of Patent:** **** Jan. 22, 2002**

(54) **DOUBLE VISION-SUPER RECHARGEABLE HALOGEN LIGHT**

(76) **Inventor:** **Se Kit Yuen**, 6/F., Yau Lee Centre, 45 Hoi Yuen Road, Kwun Tong, Kowloon, Hong Kong (CN)

(**) **Term:** **14 Years**

(21) **Appl. No.:** **29/143,669**

(22) **Filed:** **Jun. 19, 2001**

(30) **Foreign Application Priority Data**

Mar. 22, 2001 (GB) 2100556

(51) **LOC (7) Cl.** **26-02**

(52) **U.S. Cl.** **D26/44**

(58) **Field of Search** D26/37-50; 362/157, 362/162, 171, 178, 187, 188, 189, 190, 191, 194, 195, 196, 107, 198, 199, 200, 203, 204, 205, 206

(56) **References Cited**

U.S. PATENT DOCUMENTS

D438,669 S * 2/2001 Yuen D26/48

* cited by examiner

Primary Examiner—Susan J. Lucas

(74) *Attorney, Agent, or Firm*—Raymond Y. Chan; David and Raymond Patent Group

(57) **CLAIM**

The ornamental design for a double vision-super rechargeable halogen light, as shown and described.

DESCRIPTION

FIG. 1 is a front view of my new design.

FIG. 2 is a rear view thereof.

FIG. 3 is a right end view thereof.

FIG. 4 is a left end view thereof.

FIG. 5 is a top view thereof.

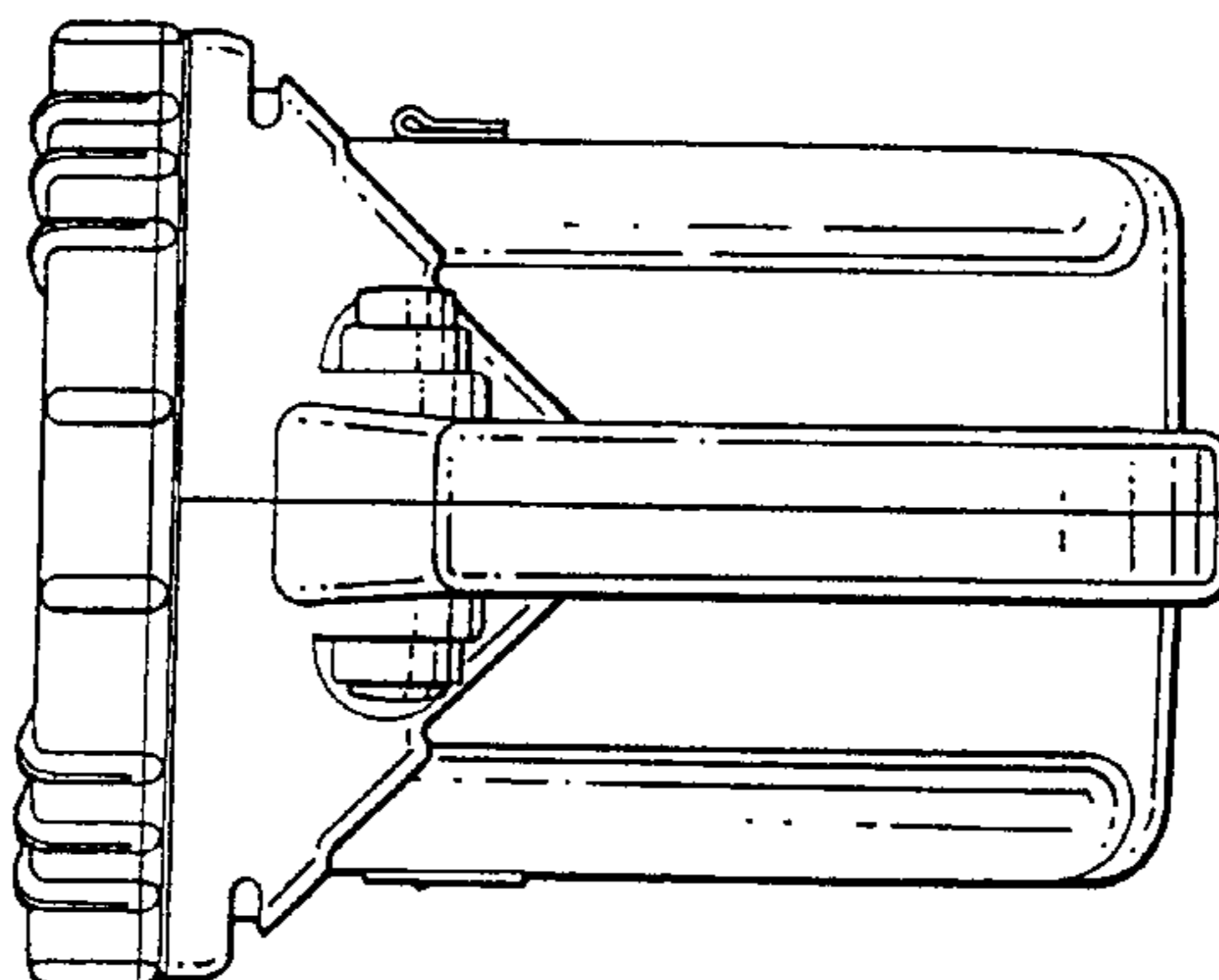
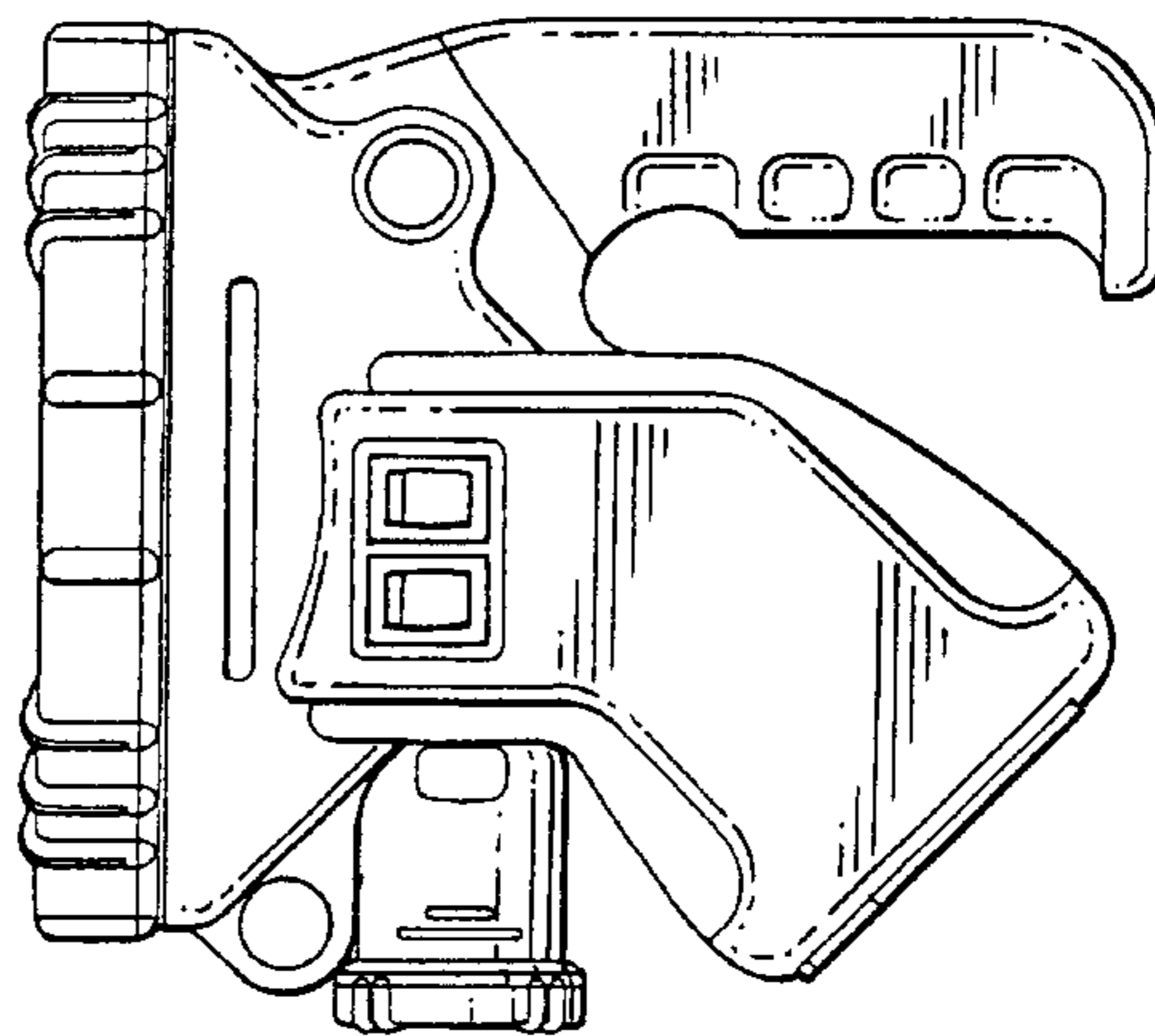
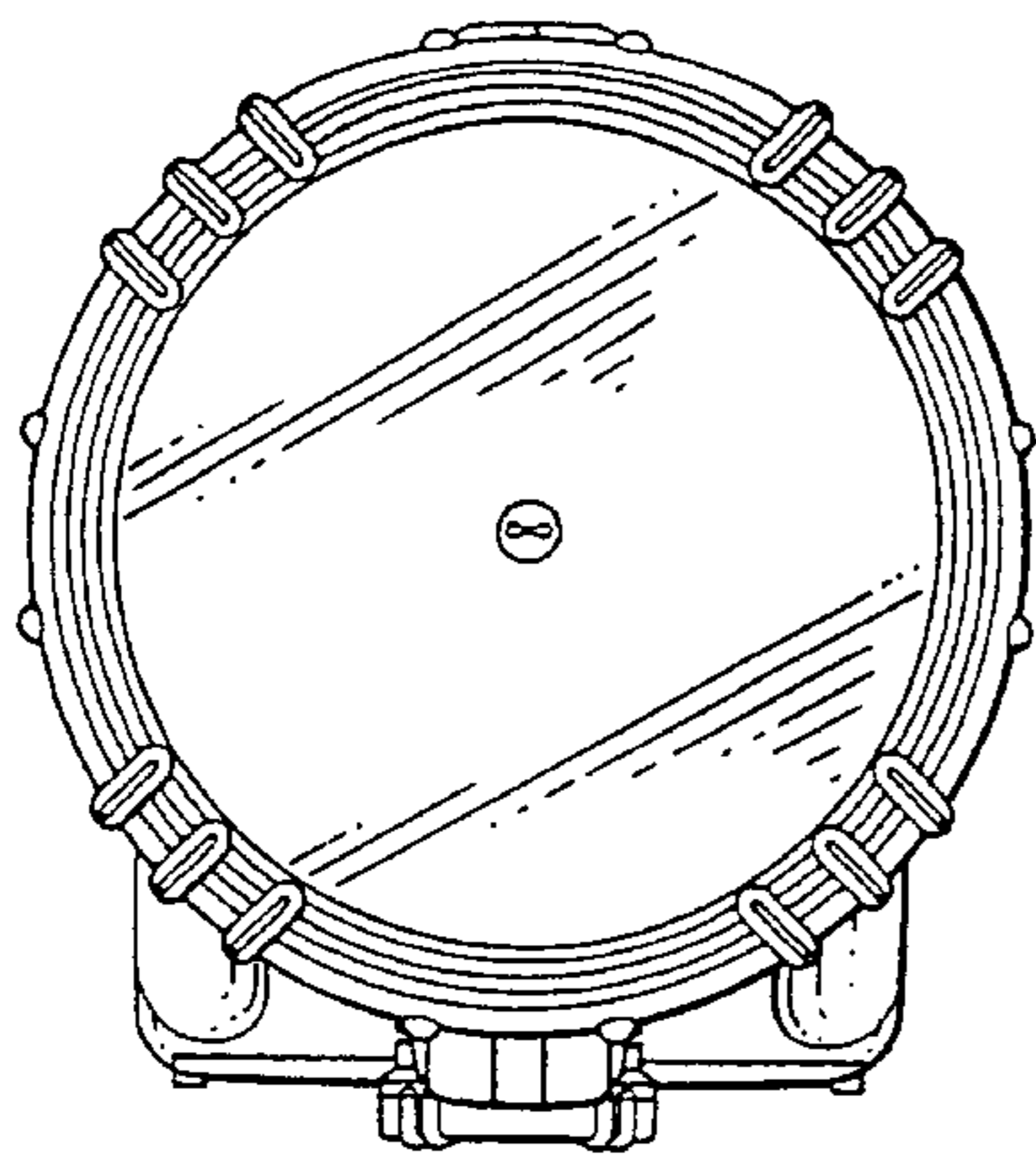
FIG. 6 is a bottom view thereof.

FIG. 7 is a front view with handle and auxiliary light shown in an alternative position.

FIG. 8 is a rear view with handle and auxiliary light shown in an alternative position; and,

FIG. 9 is a side view with handle and auxiliary light shown in an alternative position.

1 Claim, 5 Drawing Sheets



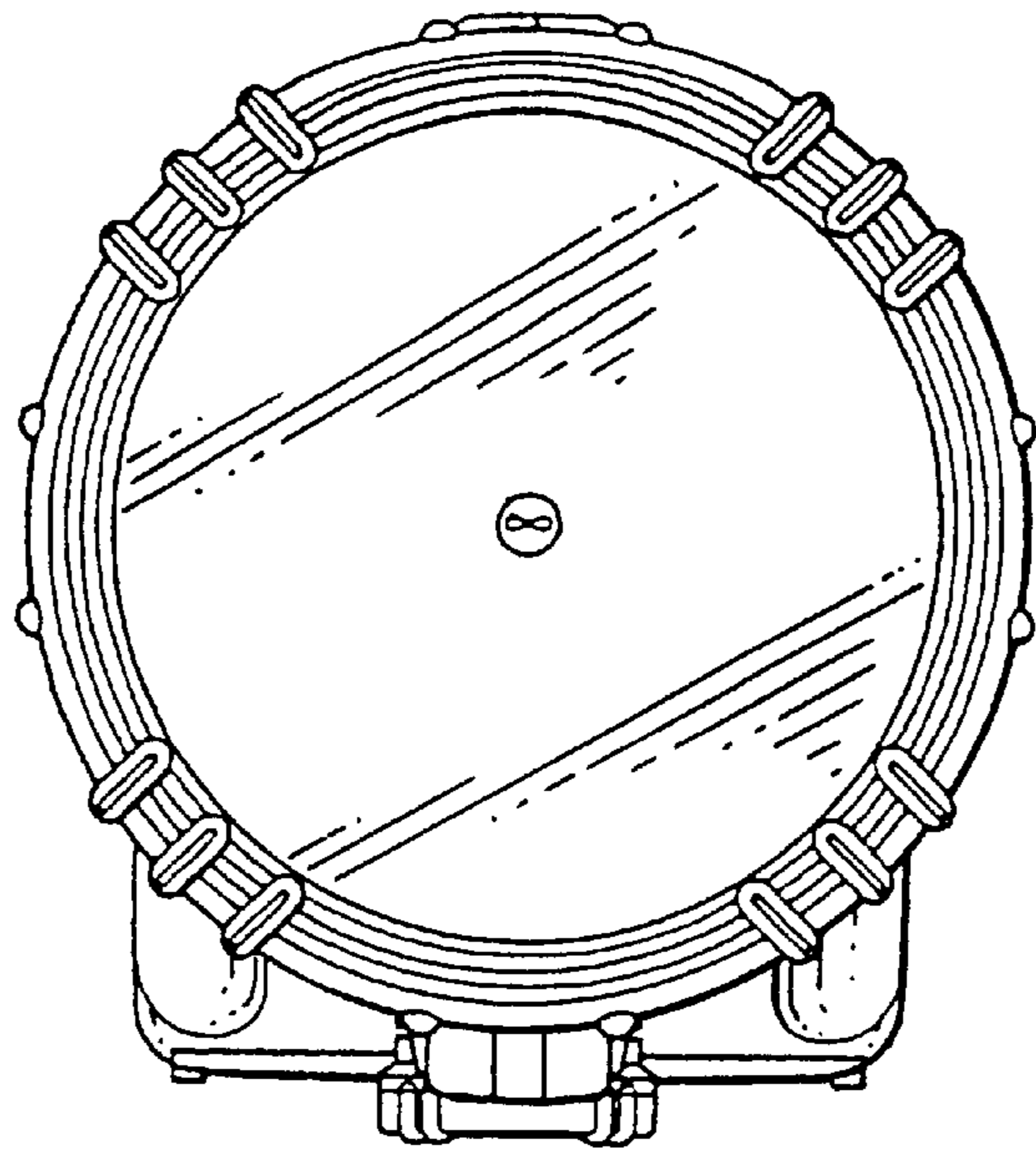


FIG. 1

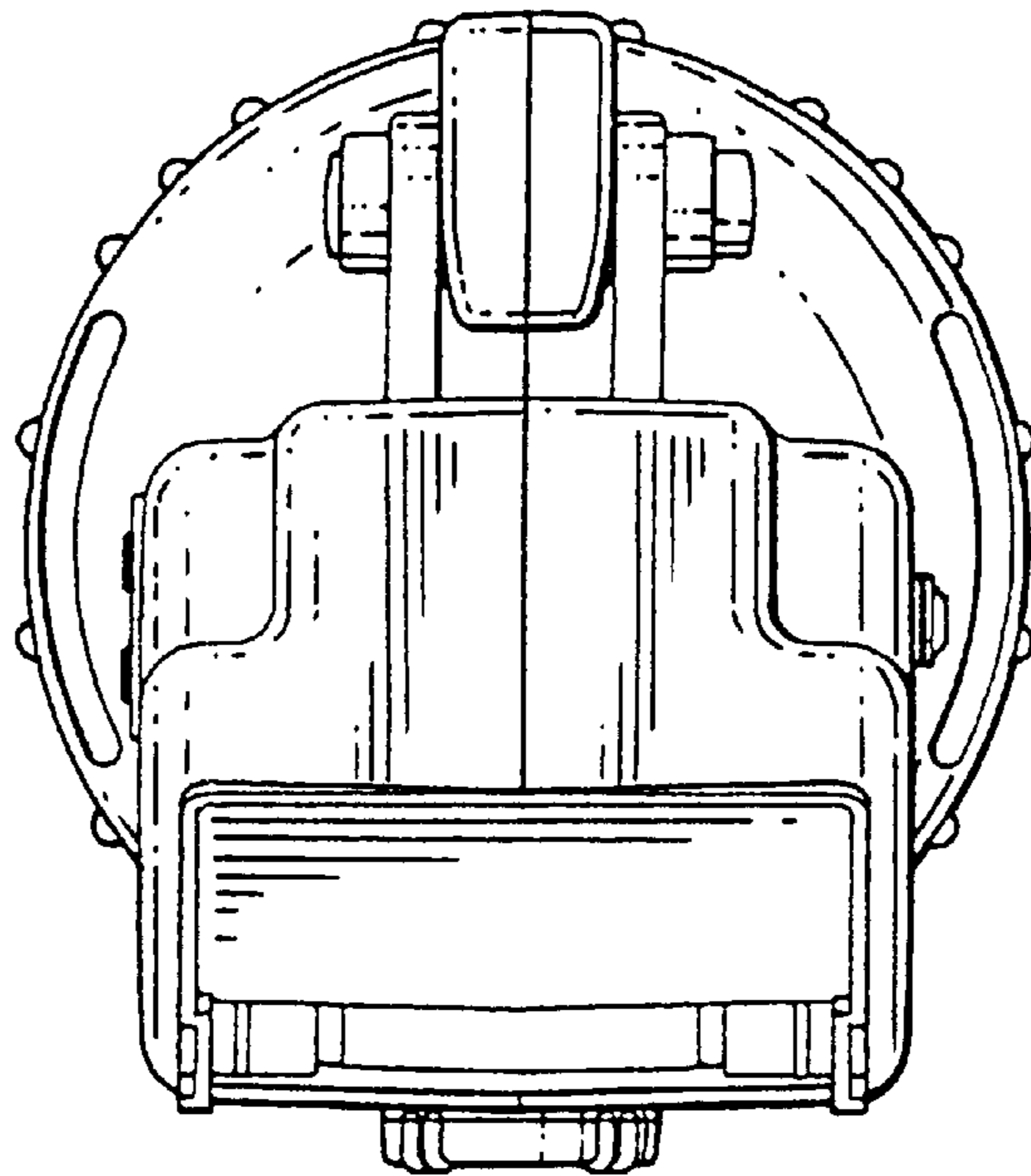


FIG. 2

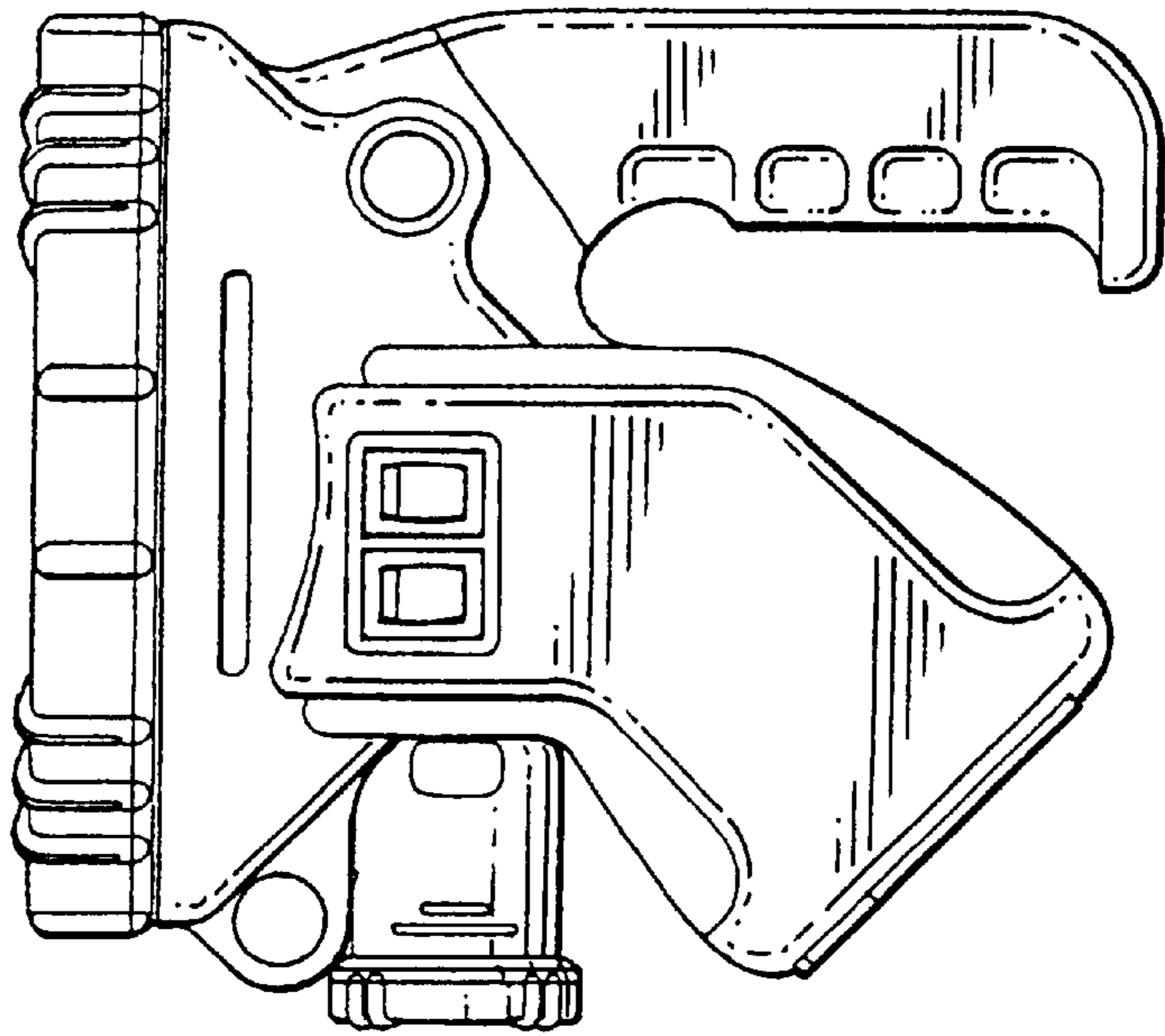


FIG. 3

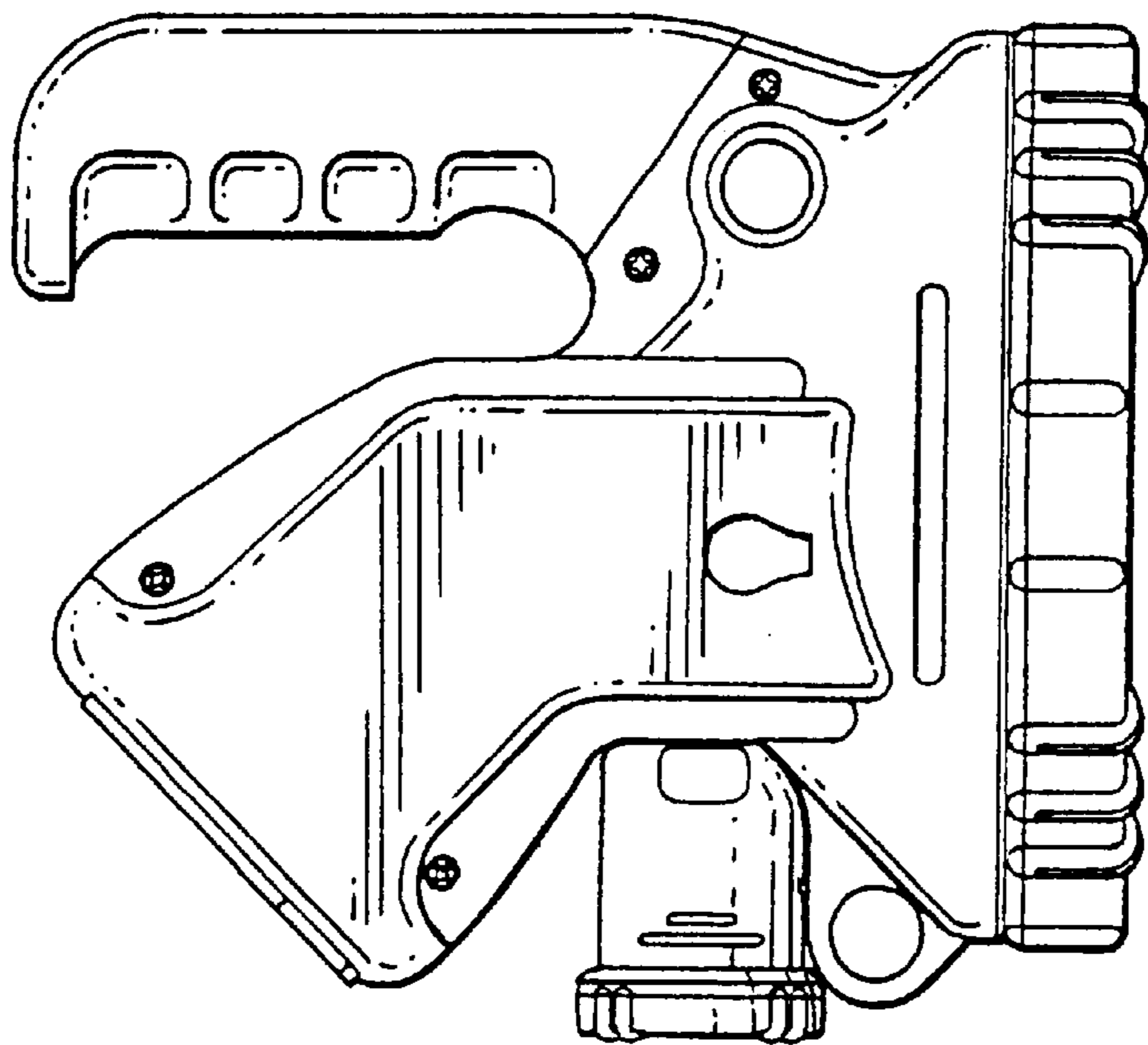


FIG. 4

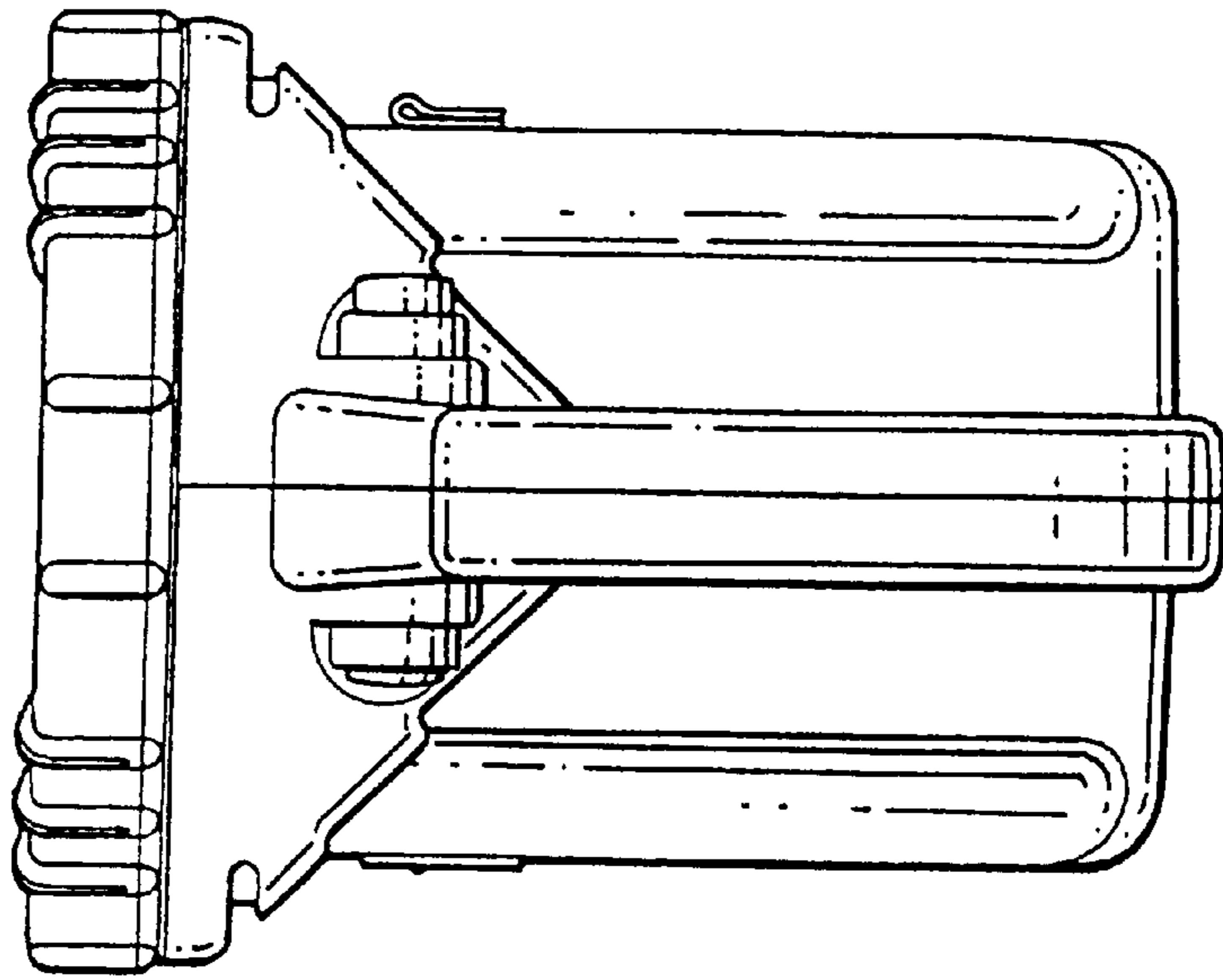


FIG. 5

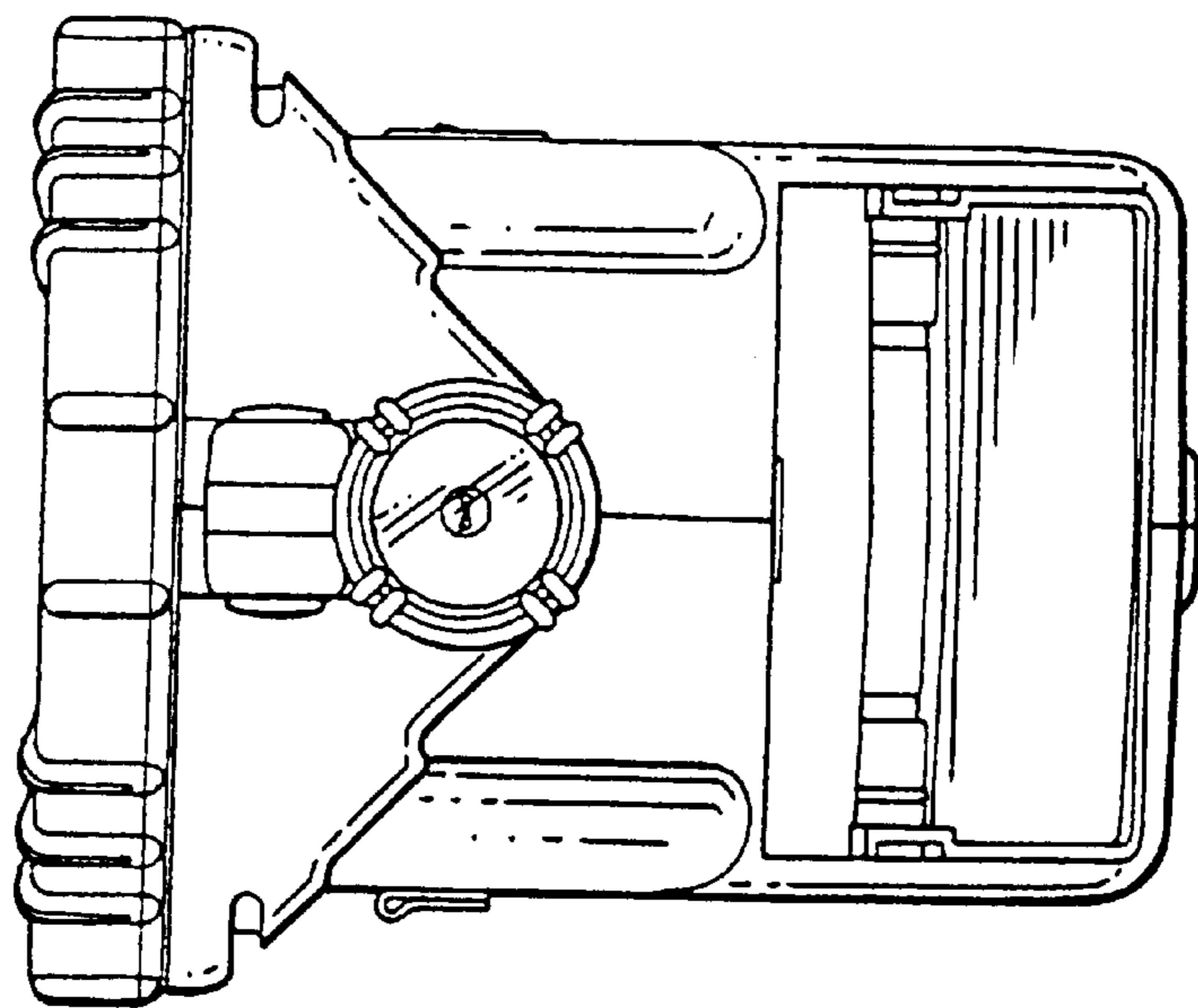


FIG. 6

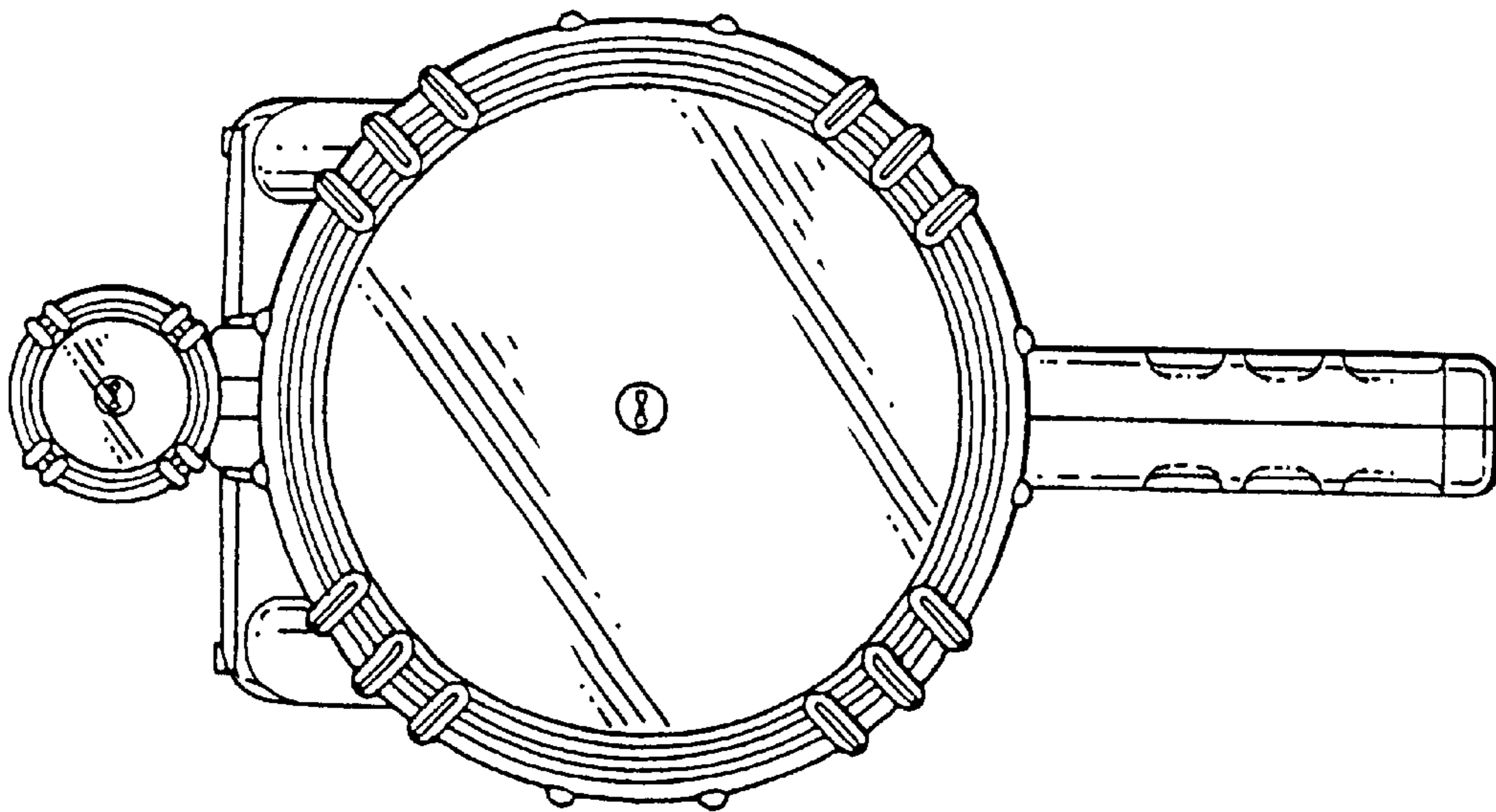


FIG. 7

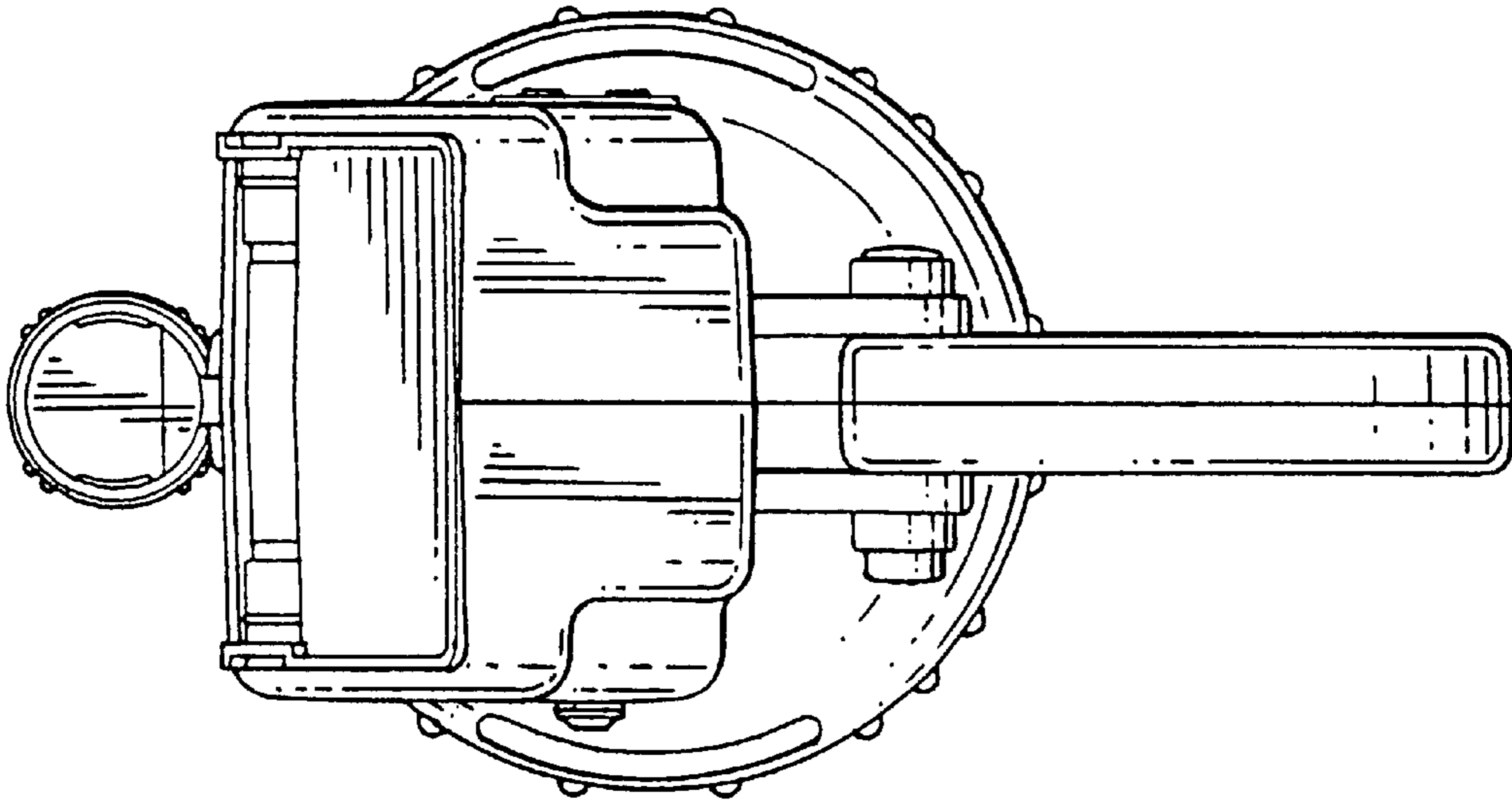


FIG. 8

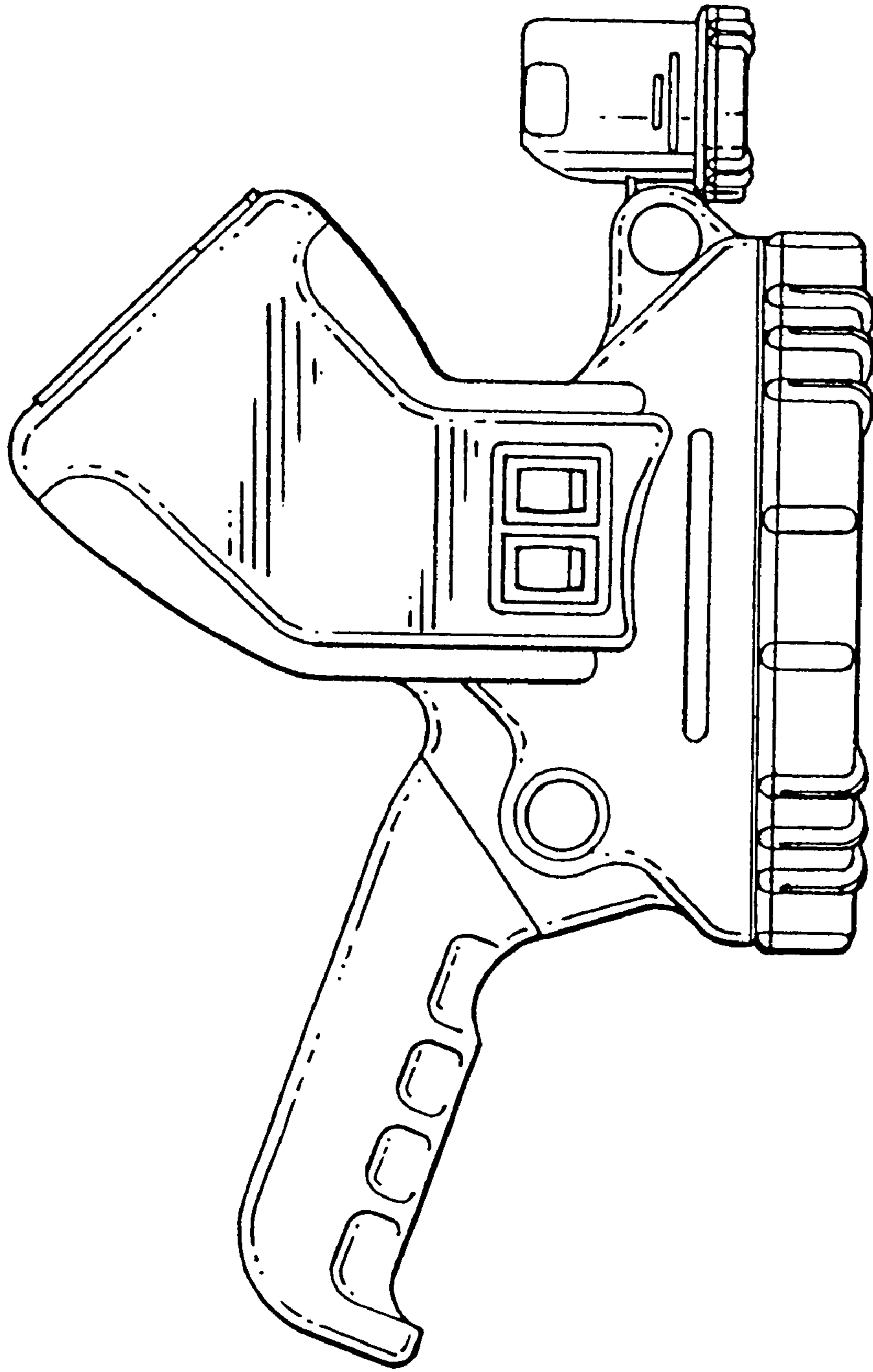


FIG. 9