



US00D453044S

(12) **United States Design Patent**  
**Buckley et al.**

(10) **Patent No.:** **US D453,044 S**  
(45) **Date of Patent:** **\*\* Jan. 22, 2002**

(54) **TABLET SPLITTING APPARATUS**

4,763,847 A \* 8/1988 Vosburgh ..... 241/169  
D405,889 S \* 2/1999 Parsons ..... D24/220

(76) Inventors: **Thomas L. Buckley**, 2399 Innisbrook  
La., Laguna Niguel, CA (US) 92677;  
**John I. Muri**, 46 Edmonton Pl., Aliso  
Viejo, CA (US) 92656

\* cited by examiner

*Primary Examiner*—Ian Simmons

(74) *Attorney, Agent, or Firm*—Williams Patrick Waters

(\*\*) Term: **14 Years**

(57) **CLAIM**

(21) Appl. No.: **29/142,556**

The ornamental design for a tablet splitting apparatus, as shown.

(22) Filed: **May 30, 2001**

**DESCRIPTION**

(51) **LOC (7) Cl.** ..... **07-04**

(52) **U.S. Cl.** ..... **D24/220**

(58) **Field of Search** ..... D24/220, 133;  
241/168, 199.11, DIG. 27, 169, 199, 264

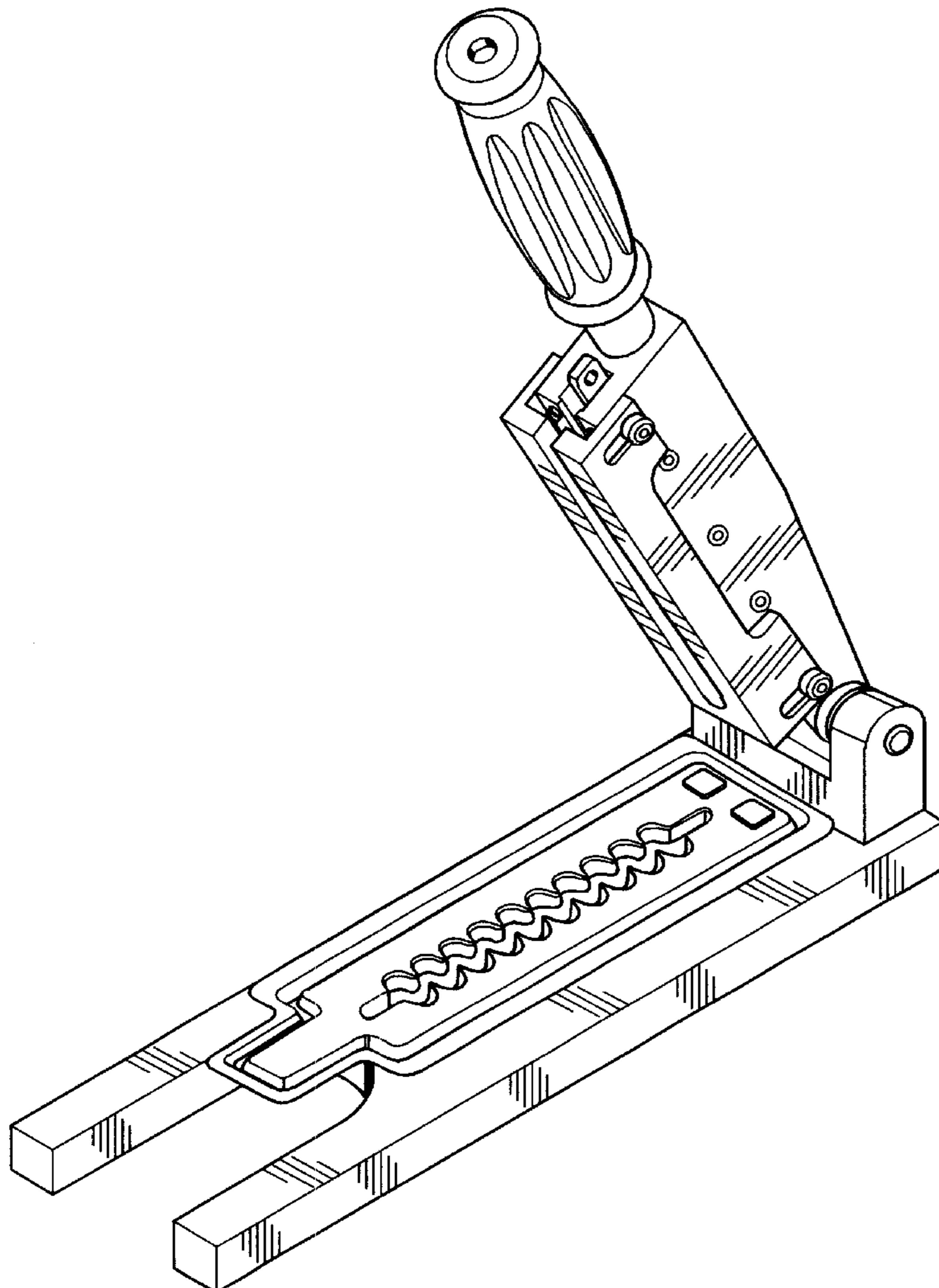
FIG. 1 is a front perspective view showing the new design;  
FIG. 2 is a bottom plan view thereof;  
FIG. 3 is a left side elevational view thereof;  
FIG. 4 is a top plan view thereof;  
FIG. 5 is a rear elevational view thereof;  
FIG. 6 is a front elevational view thereof; and,  
FIG. 7 is a right side elevational view thereof.

(56) **References Cited**

**U.S. PATENT DOCUMENTS**

D196,726 S \* 10/1963 Bull ..... D24/220  
3,915,393 A \* 10/1975 Elkins ..... 241/168

**1 Claim, 4 Drawing Sheets**



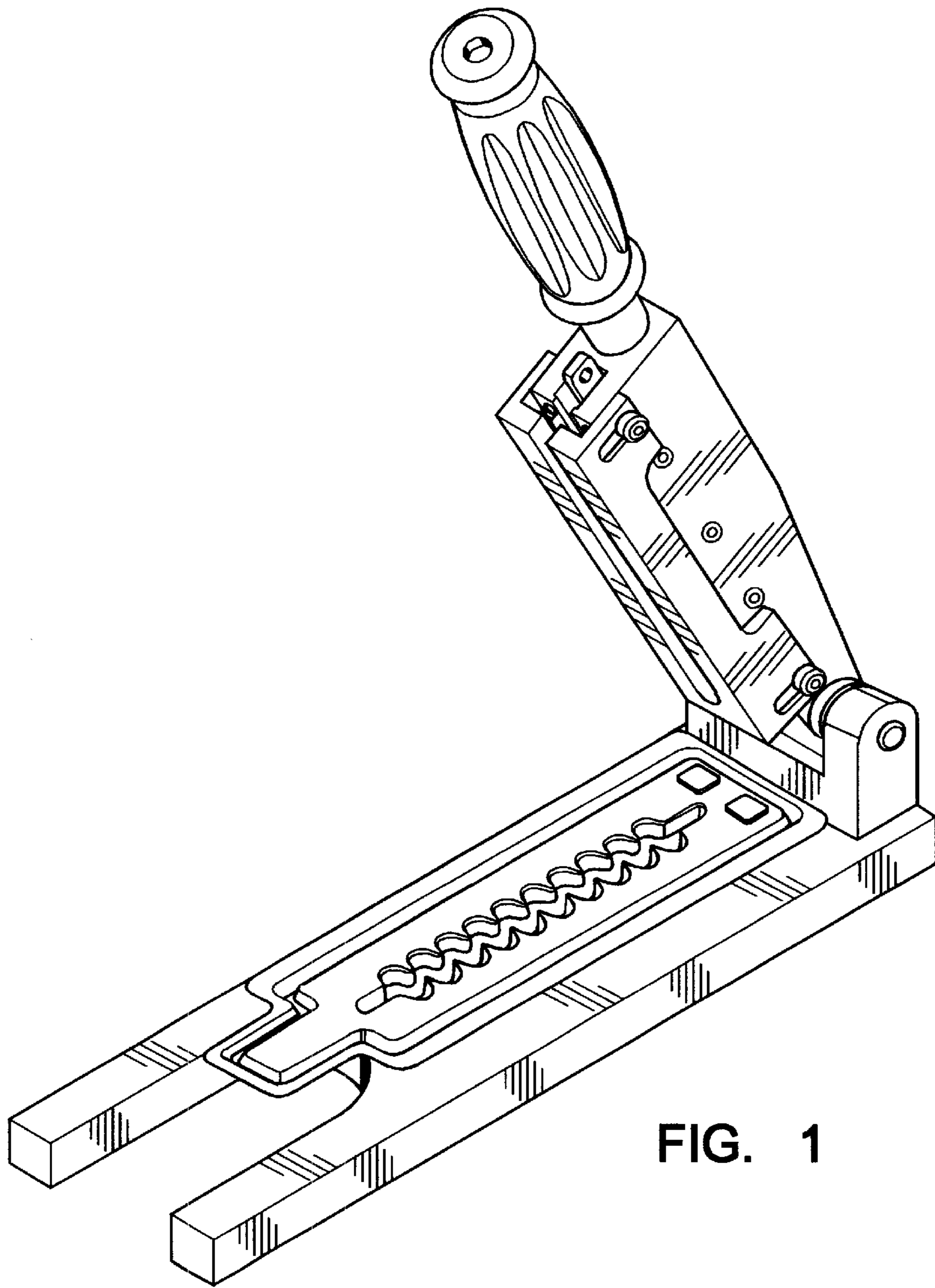


FIG. 1

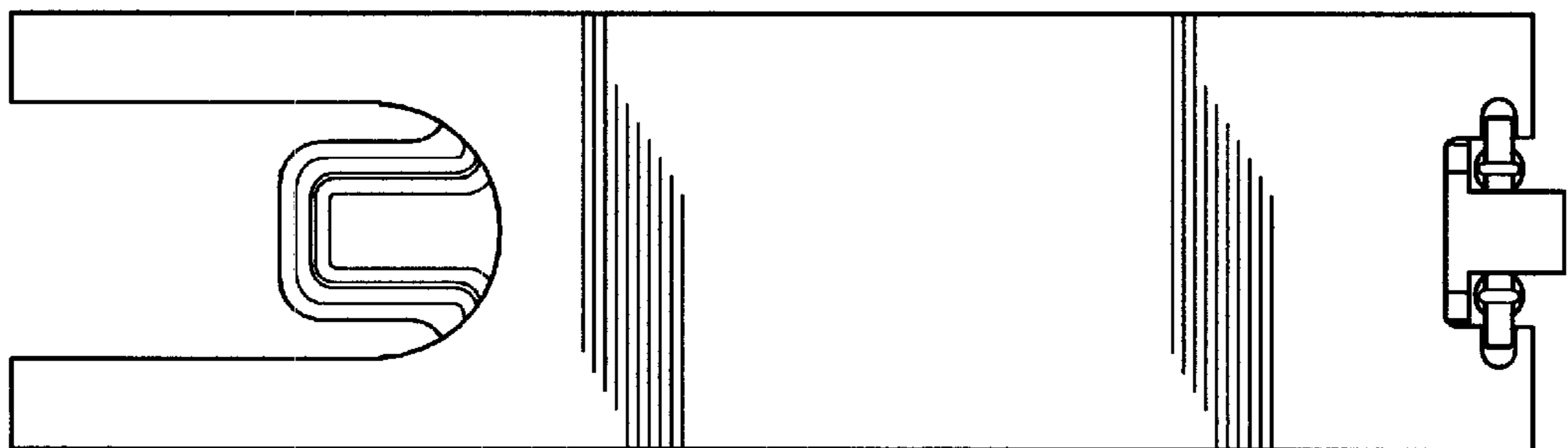


FIG. 2

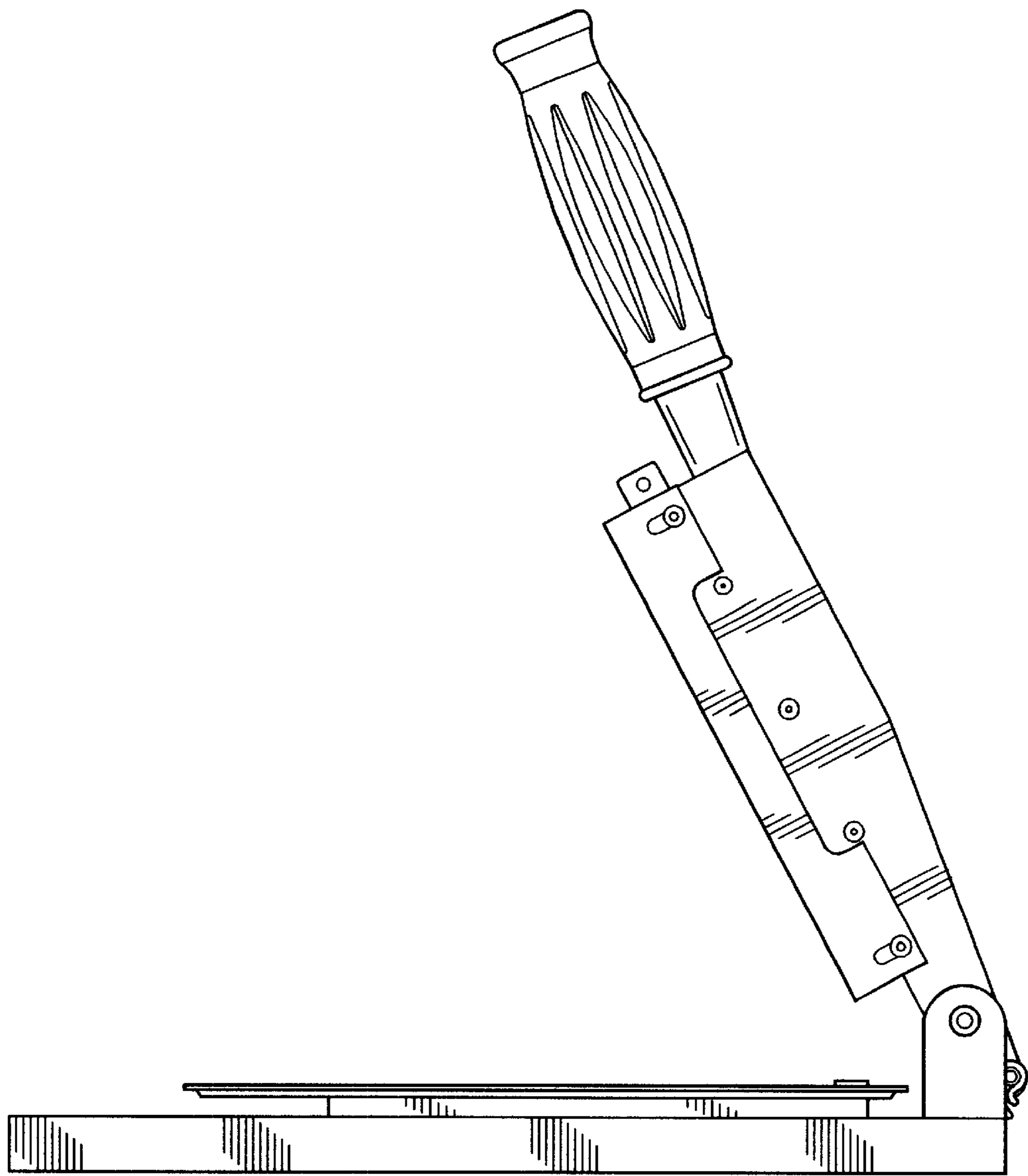


FIG. 3

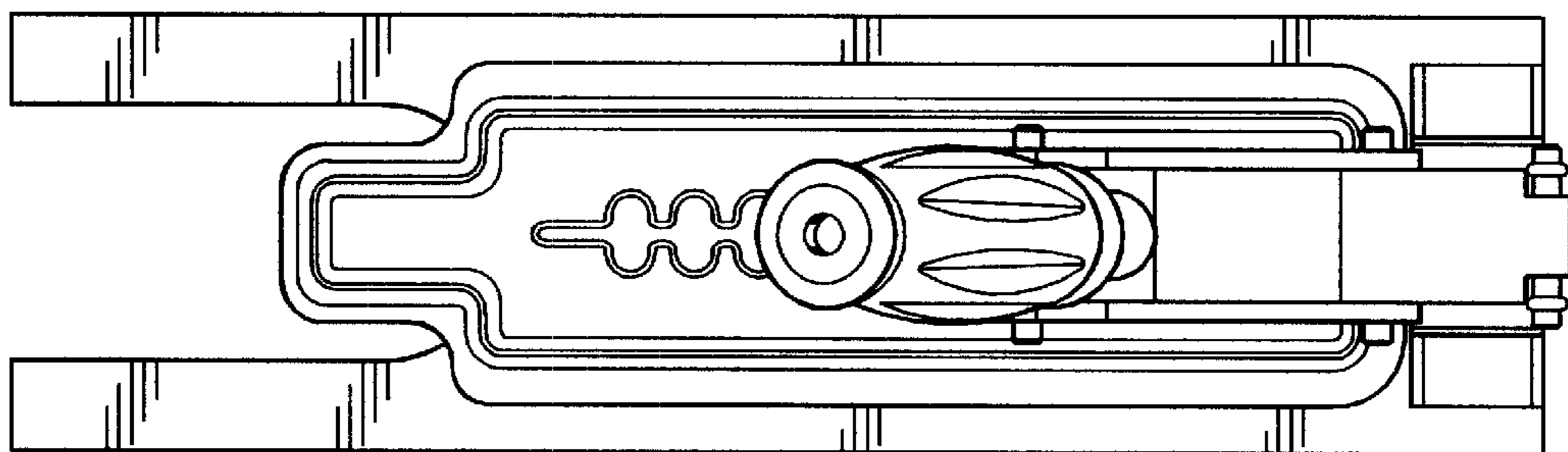


FIG. 4

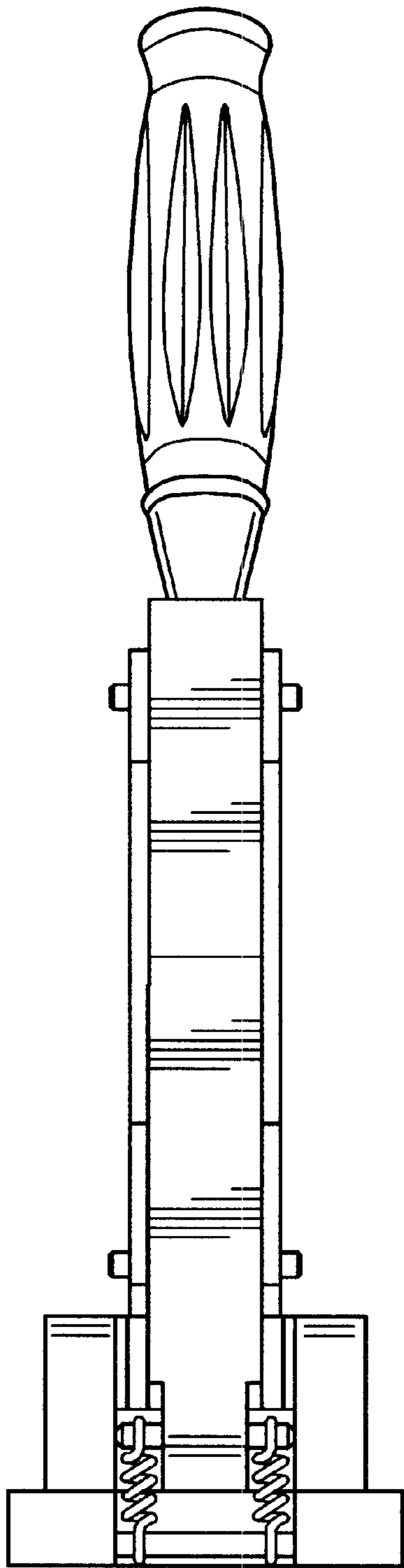


FIG. 5

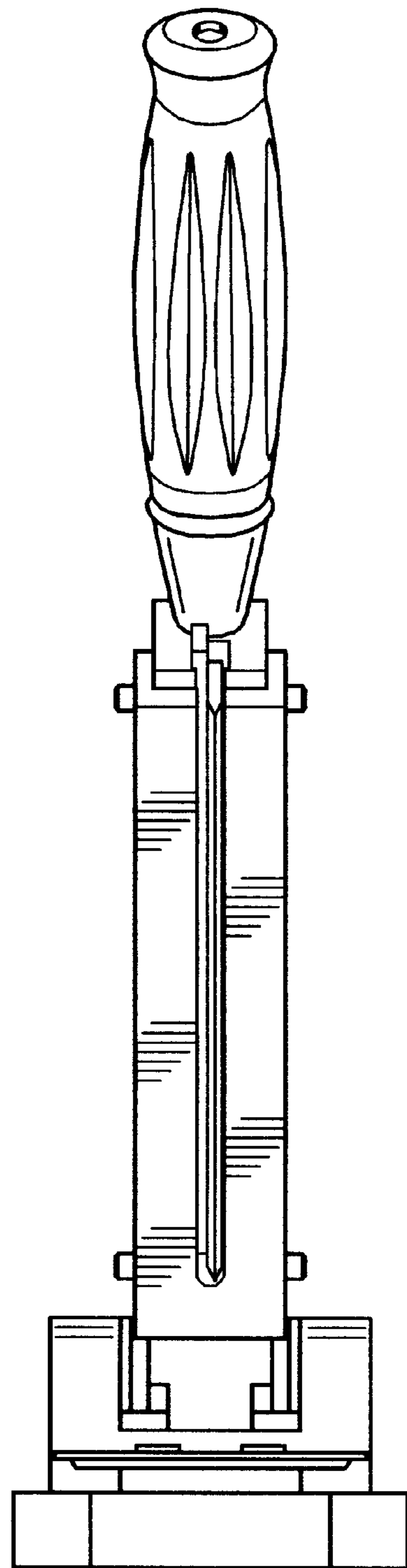


FIG. 6

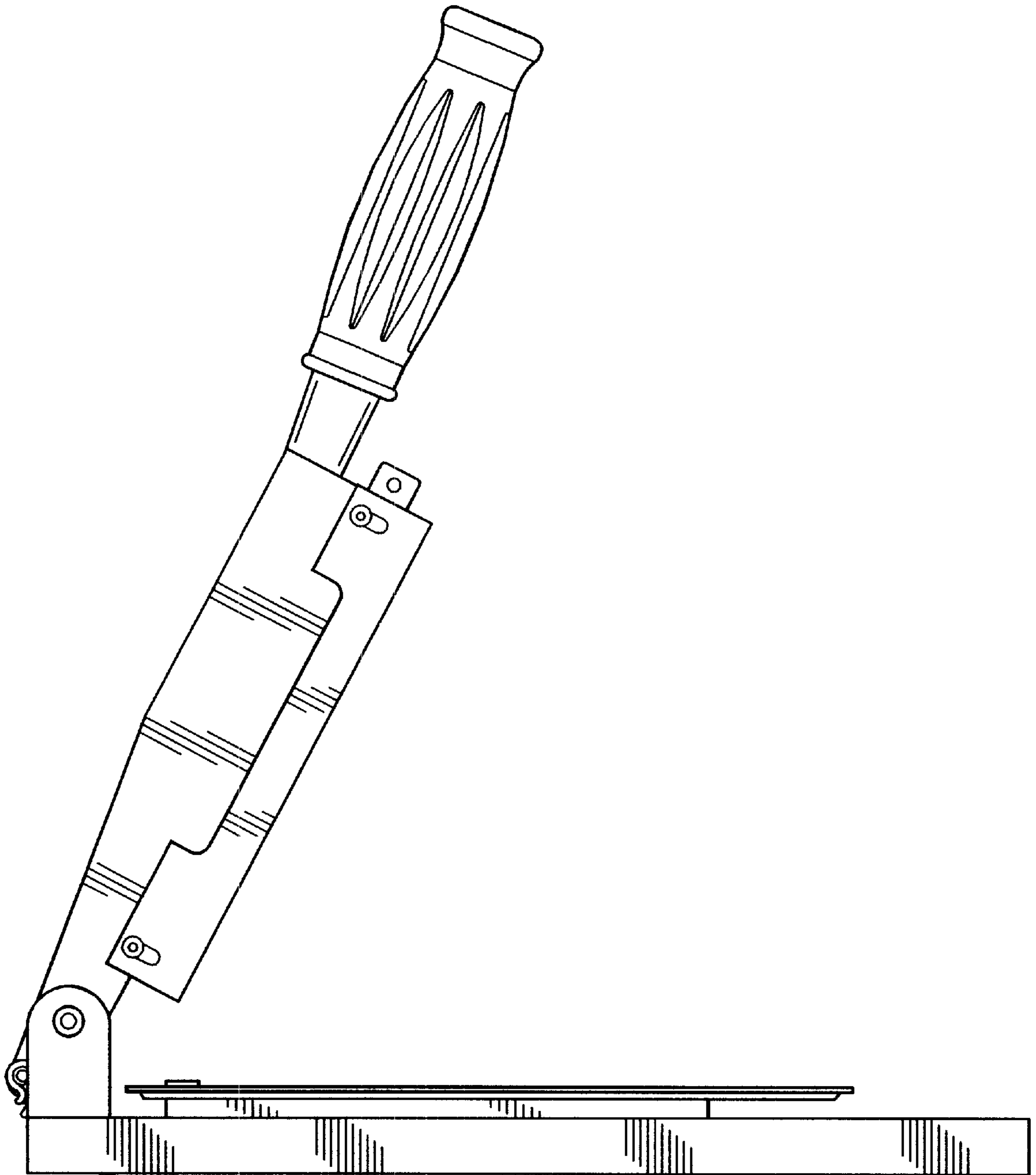


FIG. 7