



US00D453039S

(12) **United States Design Patent**  
**Lobermeier**

(10) **Patent No.:** **US D453,039 S**

(45) **Date of Patent:** **\*\* Jan. 22, 2002**

(54) **SHOWER APPARATUS**

(75) **Inventor:** **Hans Lobermeier**, Menden (DE)

(73) **Assignee:** **Friedrich Grohe AG & Co. KG**,  
Hemer (DE)

(\*\*) **Term:** **14 Years**

(21) **Appl. No.:** **29/139,323**

(22) **Filed:** **Mar. 28, 2001**

(30) **Foreign Application Priority Data**

Oct. 13, 2000 (DE) ..... 4 00 09 748

(51) **LOC (7) Cl.** ..... **23-01**

(52) **U.S. Cl.** ..... **D23/228; D23/213; D23/229**

(58) **Field of Search** ..... **D23/213, 223,**  
**D23/226, 229-230, 228; 4/614, 615, 601,**  
**605, 670; 239/587.1, 536, 547**

(56) **References Cited**

**U.S. PATENT DOCUMENTS**

1,758,115 A \* 5/1930 Kelly ..... 239/587.1

2,966,311 A \* 12/1960 Davis ..... 239/587.1

D384,129 S \* 9/1997 Neufeld et al. .... D23/213

D385,333 S \* 10/1997 Careon et al. .... D23/228

D391,341 S \* 2/1998 Sutherland ..... D23/228

\* cited by examiner

*Primary Examiner*—Robin V. Taylor

(74) *Attorney, Agent, or Firm*—Herbert Dubno

(57) **CLAIM**

The ornamental design for a shower apparatus, as shown and described.

**DESCRIPTION**

FIG. 1 is a bottom, front, left side perspective view of a shower apparatus showing my new design;

FIG. 2 is a bottom view thereof;

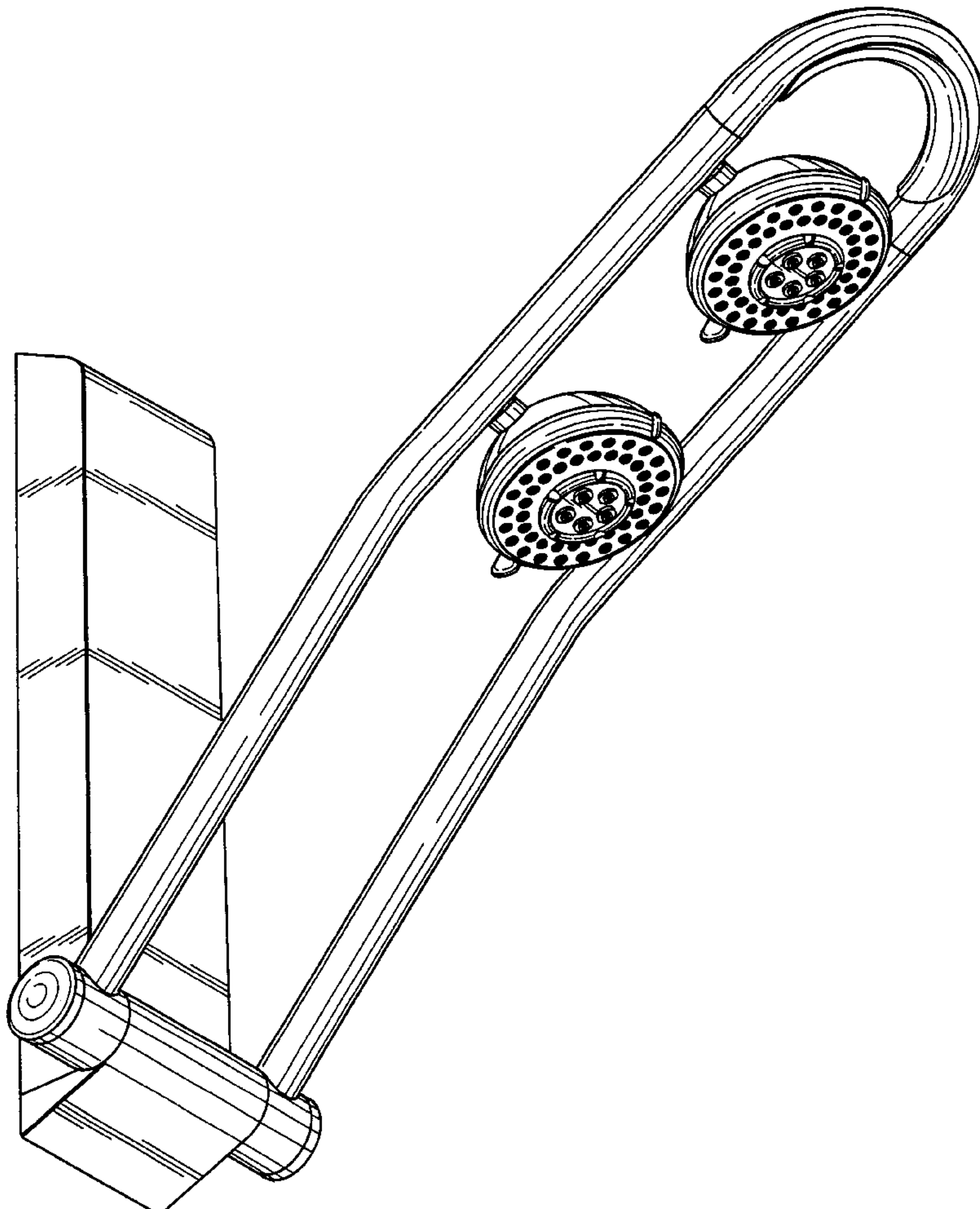
FIG. 3 is a left side elevational view thereof, the right side elevational view being mirror-symmetrical thereto;

FIG. 4 is a top plan view thereof;

FIG. 5 is a front view thereof; and,

FIG. 6 is a rear view thereof.

**1 Claim, 5 Drawing Sheets**



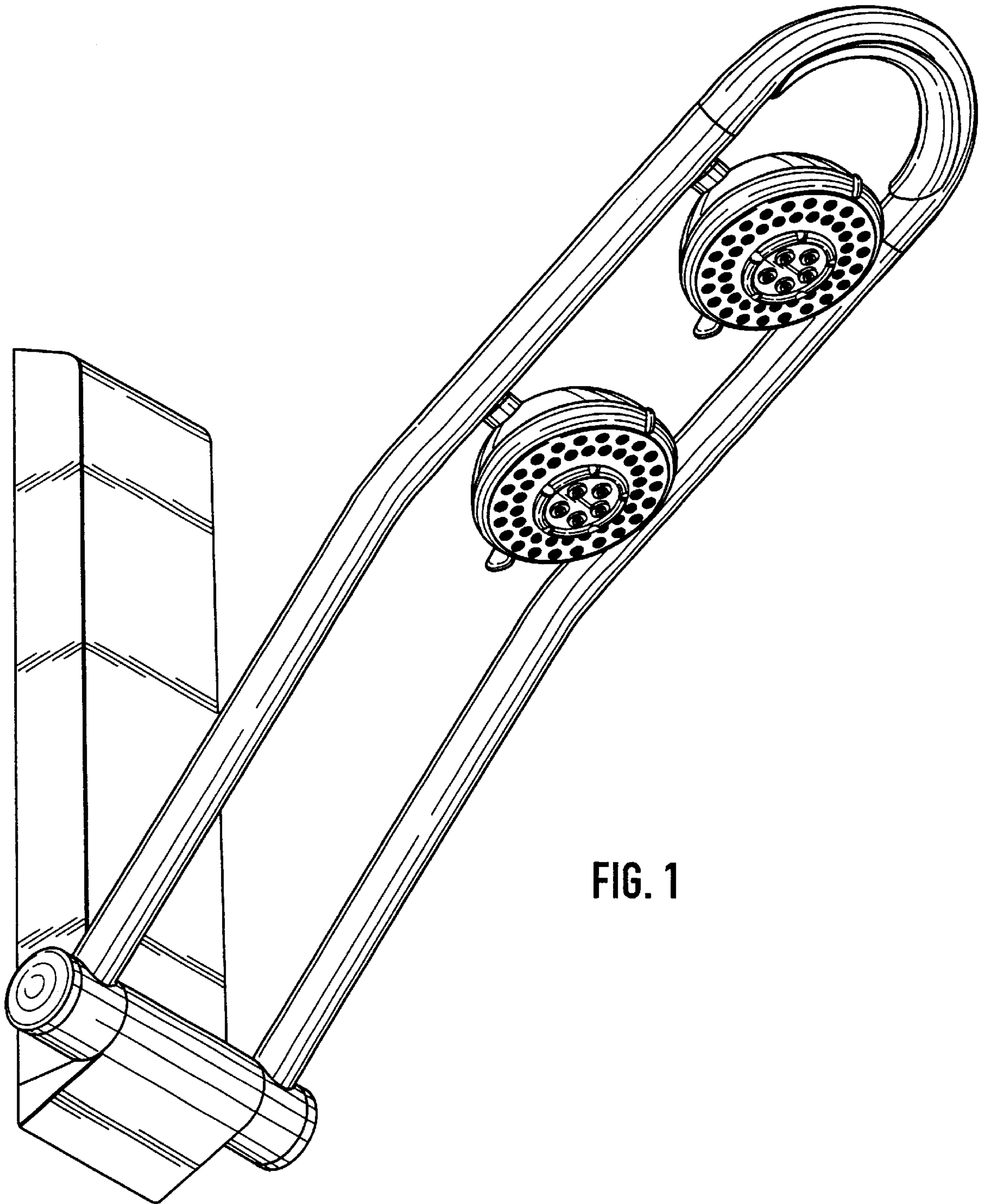
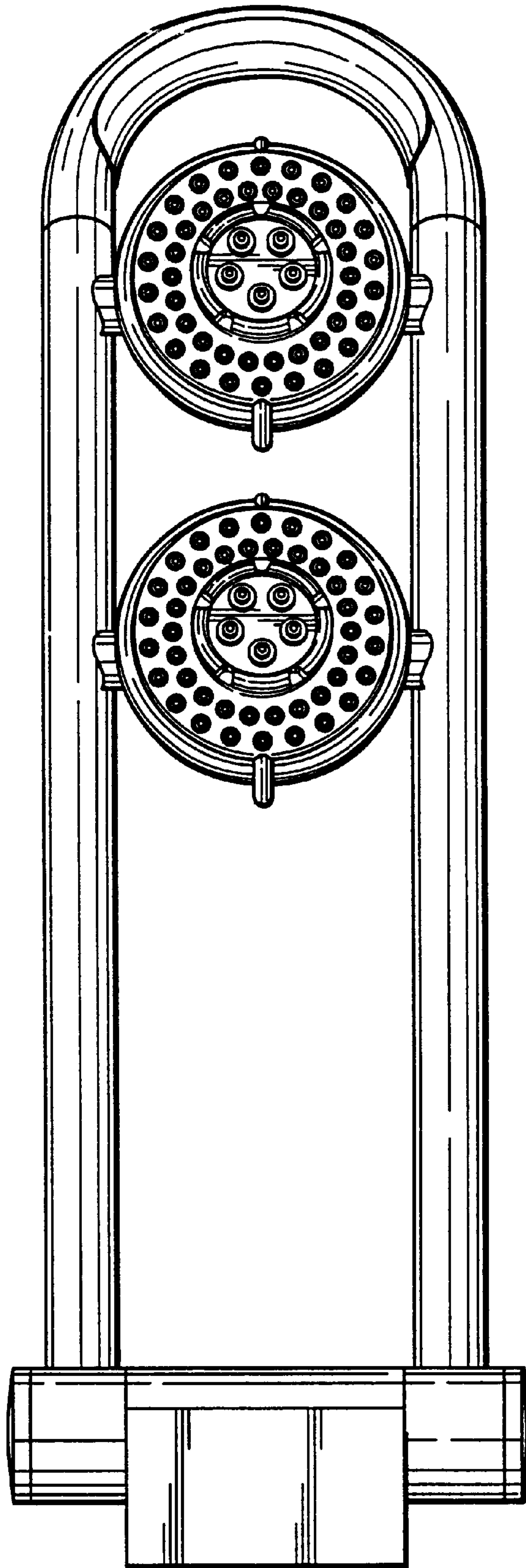


FIG. 1

FIG. 2





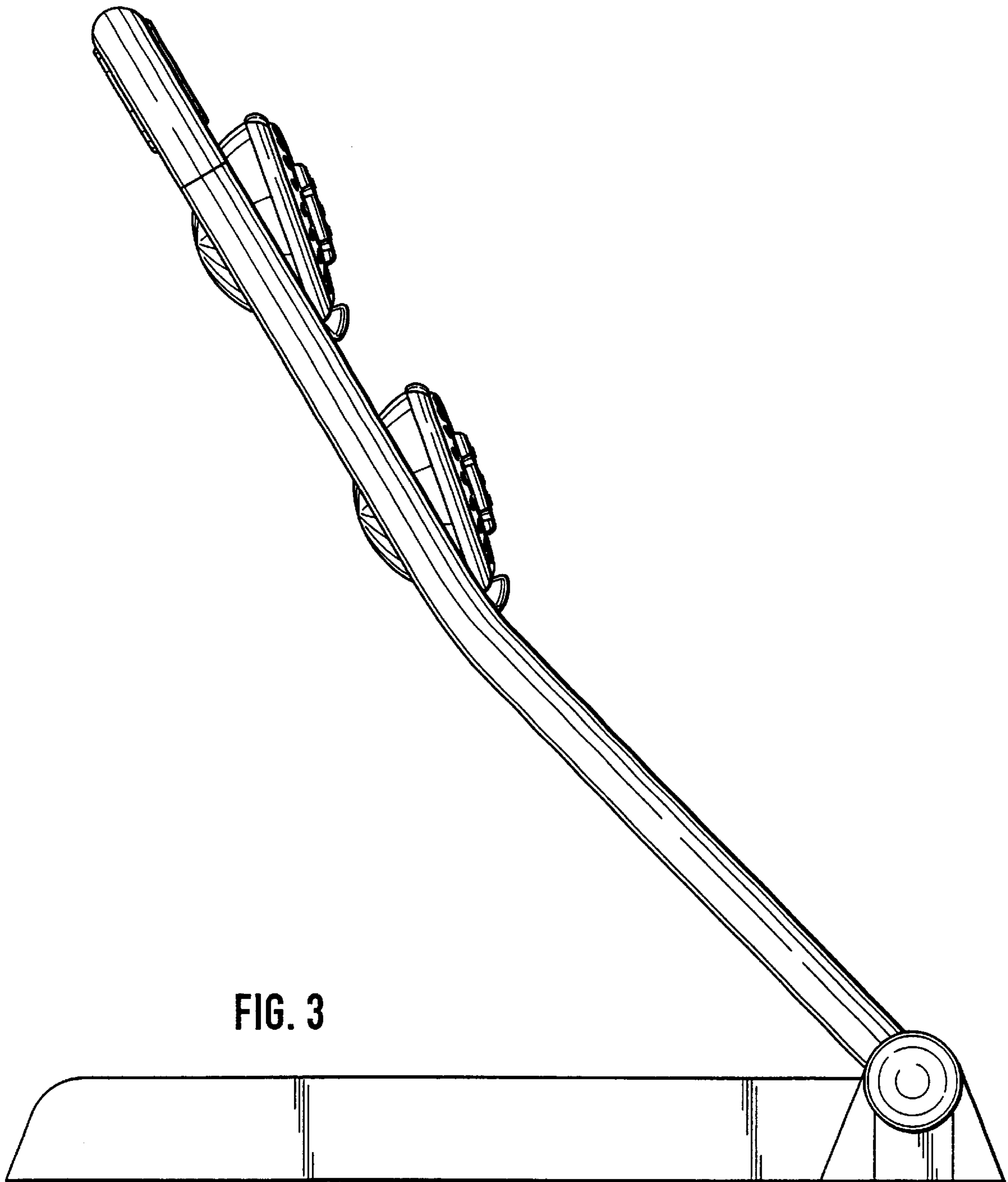


FIG. 3

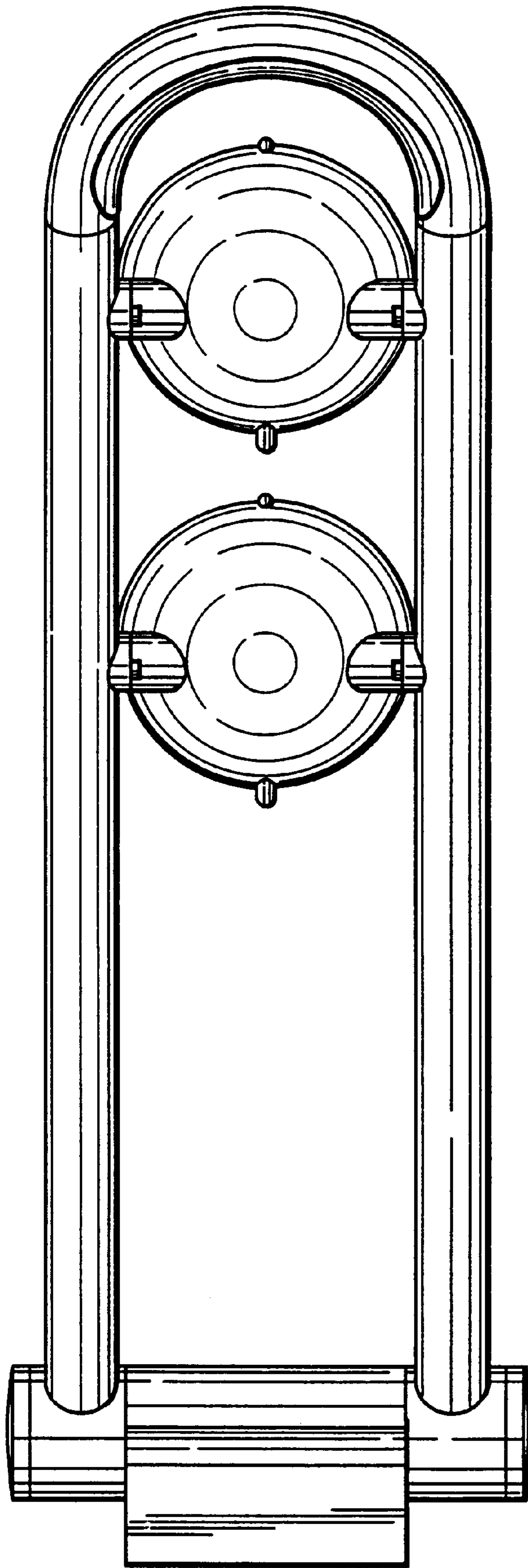


FIG. 4

FIG. 5

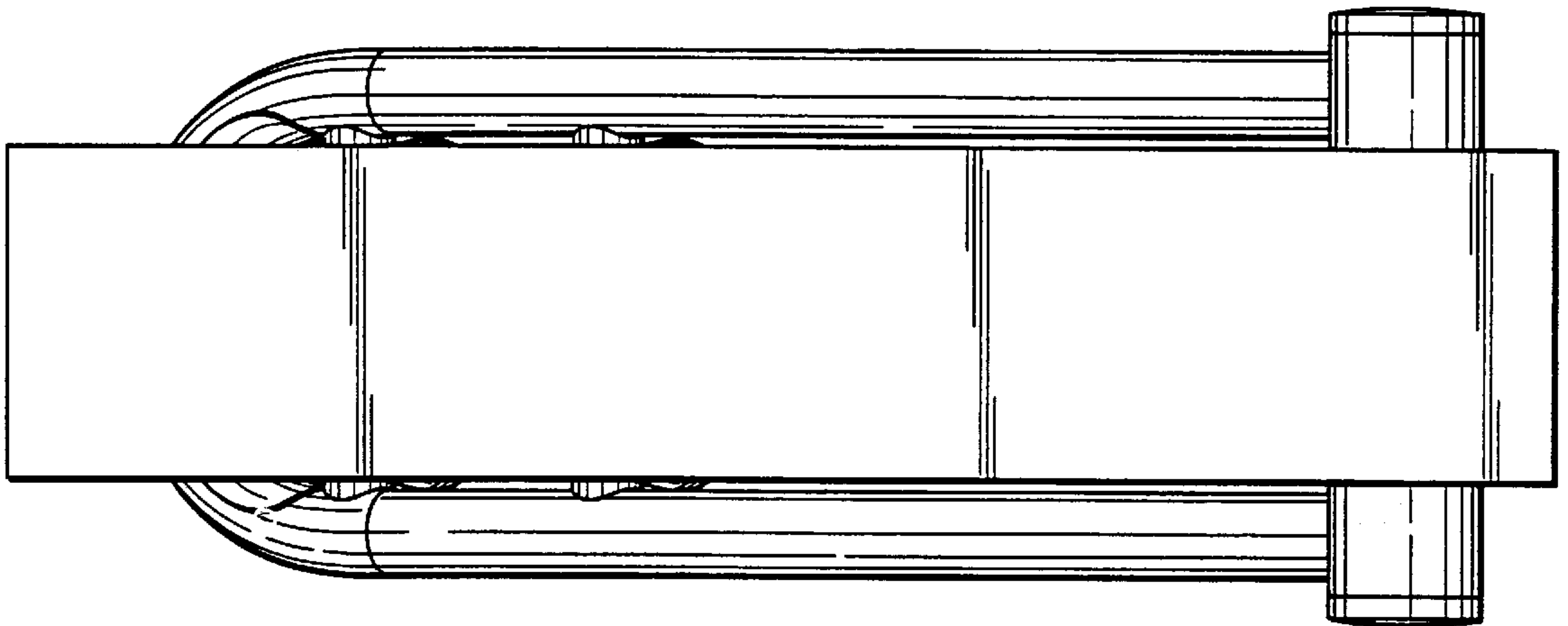
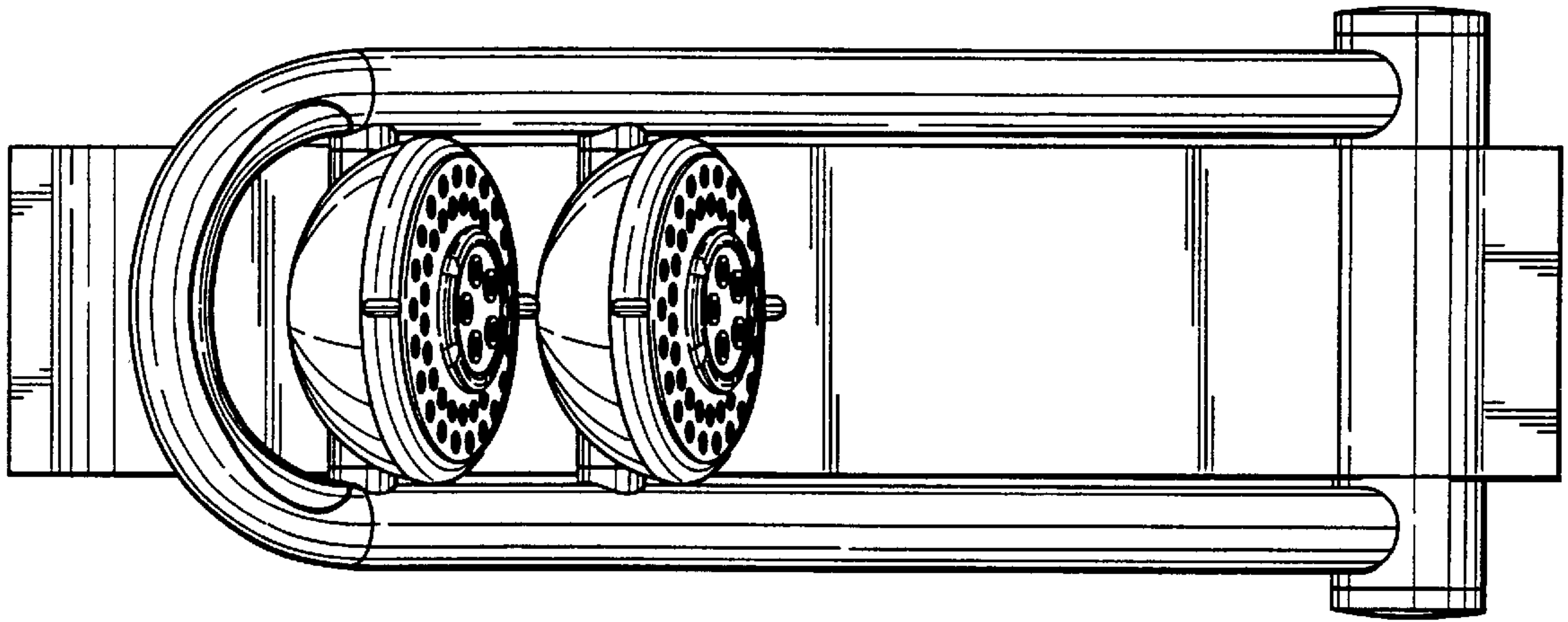


FIG. 6