



US00D453038S

(12) **United States Design Patent**
Scott

(10) **Patent No.:** **US D453,038 S**

(45) **Date of Patent:** **** Jan. 22, 2002**

(54) **POP-UP TARGET**

D424,652 S * 5/2000 Minneman D22/113

(76) Inventor: **Earl J Scott**, P.O. Box 583, Louisburg,
NC (US) 27549

* cited by examiner

(**) Term: **14 Years**

Primary Examiner—Louis S. Zarfes

Assistant Examiner—Monica A. Weingart

(74) *Attorney, Agent, or Firm*—Malcolm E. Whittaker

(21) Appl. No.: **29/127,359**

(57) **CLAIM**

(22) Filed: **Jul. 12, 2001**

The ornamental design for the pop-up target, as shown and described.

(51) **LOC (7) Cl.** **22-04**

(52) **U.S. Cl.** **D22/113**

(58) **Field of Search** D22/100, 113,
D22/199; 473/415, 416; 273/390, 391,
406, 407, 408, 409, 410

DESCRIPTION

FIG. 1 is a perspective view of the present invention.

FIG. 2 is a top view of the present invention.

FIG. 3 is a rear view of the present invention.

FIG. 4 is a left side view of the present invention.

FIG. 5 is a front view of the present invention.

FIG. 6 is a right side view of the present invention; and,

FIG. 7 is a bottom view of the present invention.

The broken line showing in FIG. 1 is for illustrative purposes only and forms no part of the claimed design.

(56) **References Cited**

U.S. PATENT DOCUMENTS

877,622	A	*	1/1908	Wilborgh	273/408
3,034,768	A	*	5/1962	Cauble	273/408
4,691,925	A	*	9/1987	Scholem	273/407
4,911,453	A	*	3/1990	Essex et al.	273/406 X
5,865,439	A	*	2/1999	Marcuson, III et al.	273/406

1 Claim, 2 Drawing Sheets

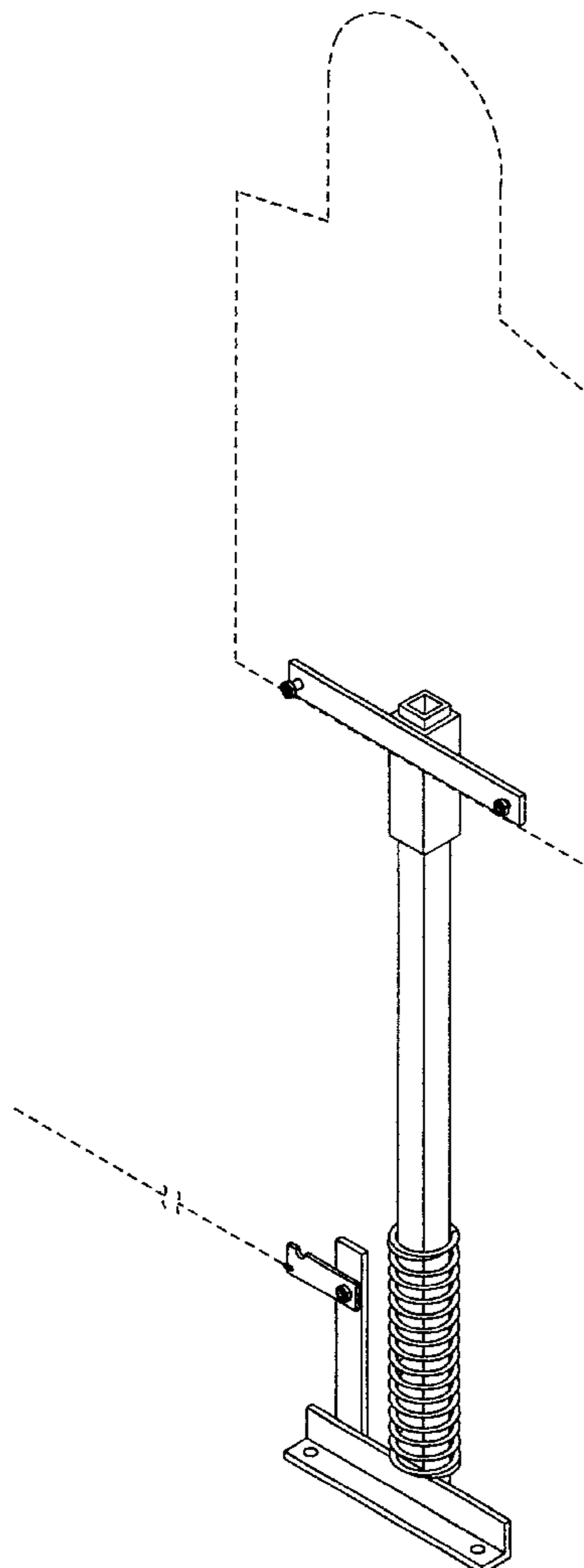


Fig. 1

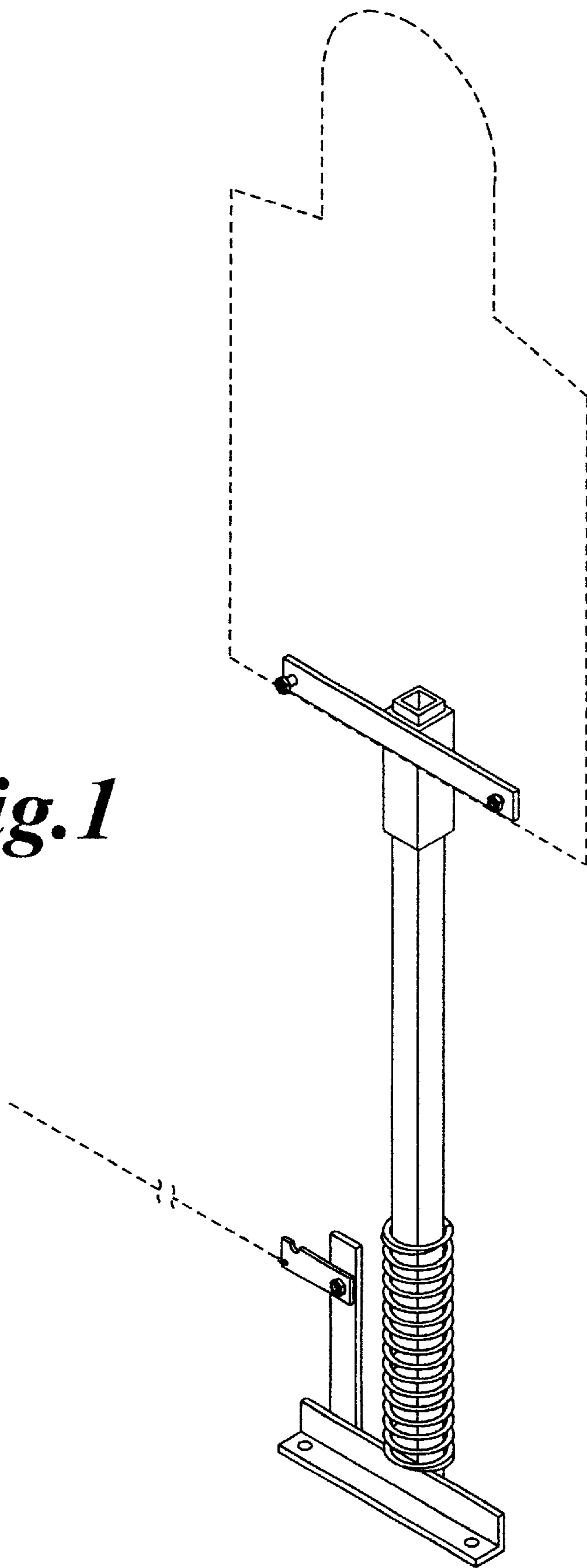




Fig. 2

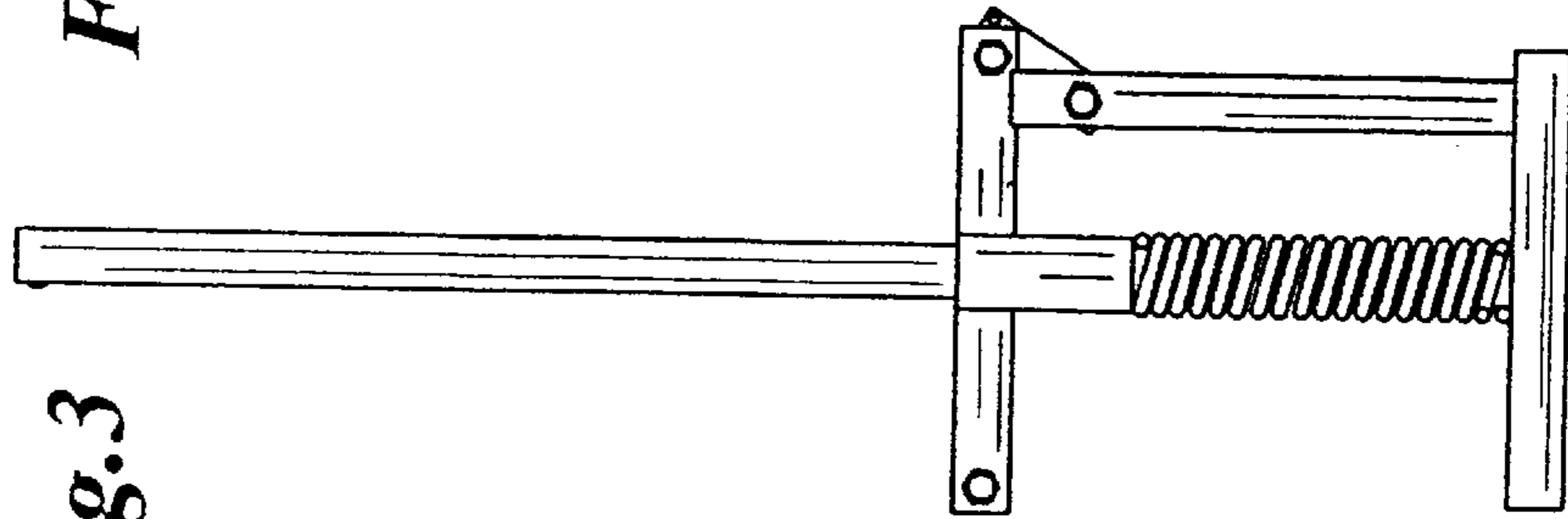


Fig. 3

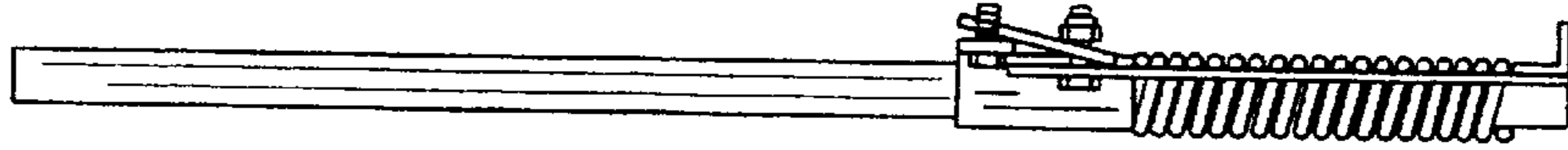


Fig. 4

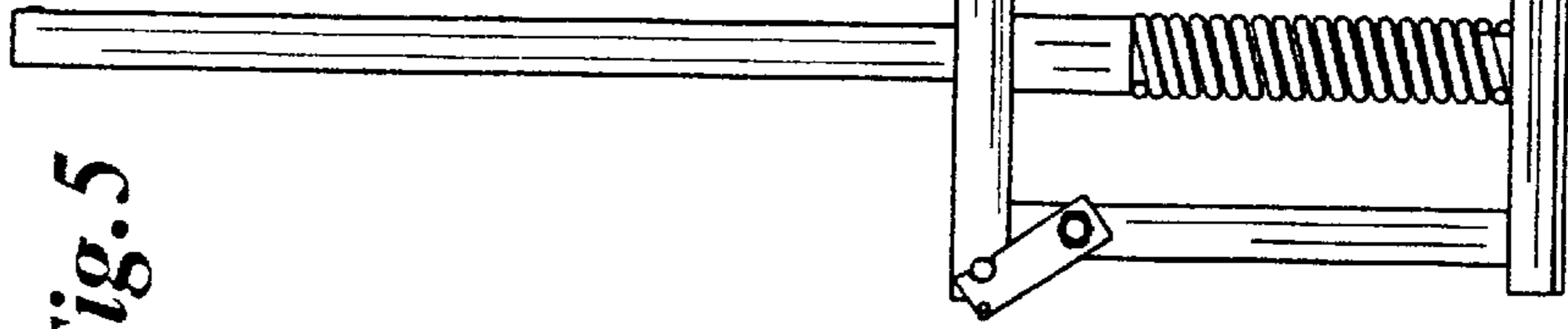


Fig. 5

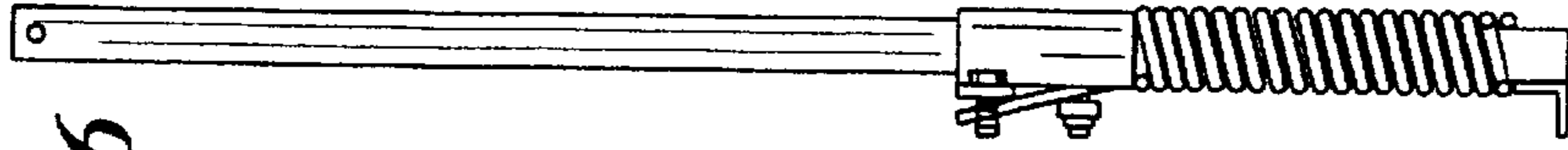


Fig. 6



Fig. 7