



US00D453031S

(12) **United States Design Patent**
Tse

(10) **Patent No.:** **US D453,031 S**

(45) **Date of Patent:** **** Jan. 22, 2002**

(54) **TOY HELICOPTER**

D345,589 S * 3/1994 Berggreen D21/442
D431,609 S * 10/2000 Wei D21/442

(75) Inventor: **Wai Keung Tse**, Chaiwan (HK)

* cited by examiner

(73) Assignee: **Wah Hing Toys Development Co., Ltd.**, Kowloon (HK)

Primary Examiner—Dominic Simone

(74) *Attorney, Agent, or Firm*—Leydig, Voit, & Mayer, Ltd.

(**) Term: **14 Years**

(57) **CLAIM**

(21) Appl. No.: **29/134,677**

The ornamental design for a toy helicopter, as shown and described.

(22) Filed: **Dec. 28, 2000**

(51) **LOC (7) Cl.** **21-01**

(52) **U.S. Cl.** **D21/442**

(58) **Field of Search** D21/442; 446/230,
446/232, 36-45; D12/326-330

DESCRIPTION

FIG. 1 is a front end elevational view of a toy helicopter showing my new design;

FIG. 2 is a rear end elevational view thereof;

FIG. 3 is a left side elevational view thereof;

FIG. 4 is a right side elevational view thereof;

FIG. 5 is a top plan view thereof; and,

FIG. 6 is a bottom plan view thereof.

(56) **References Cited**

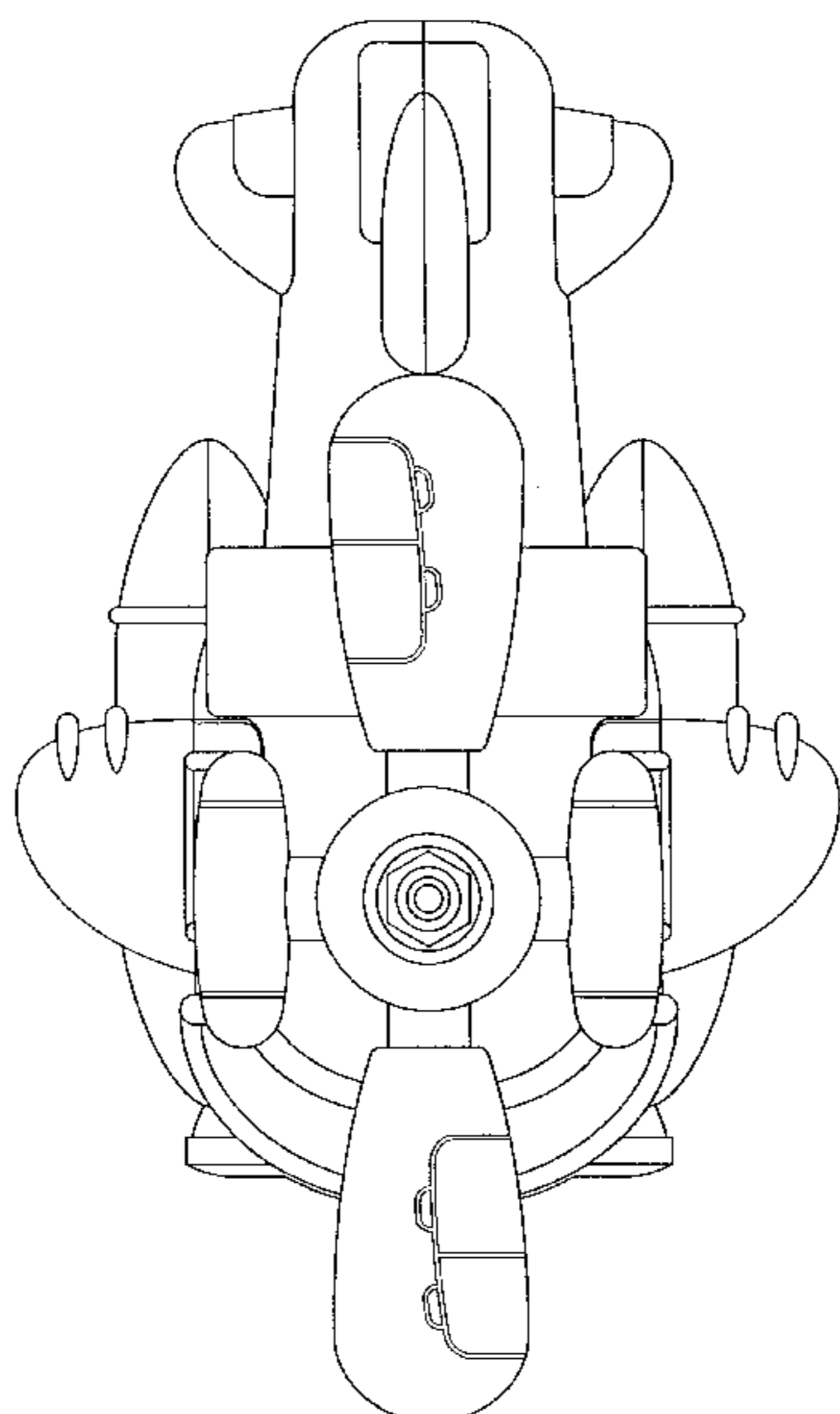
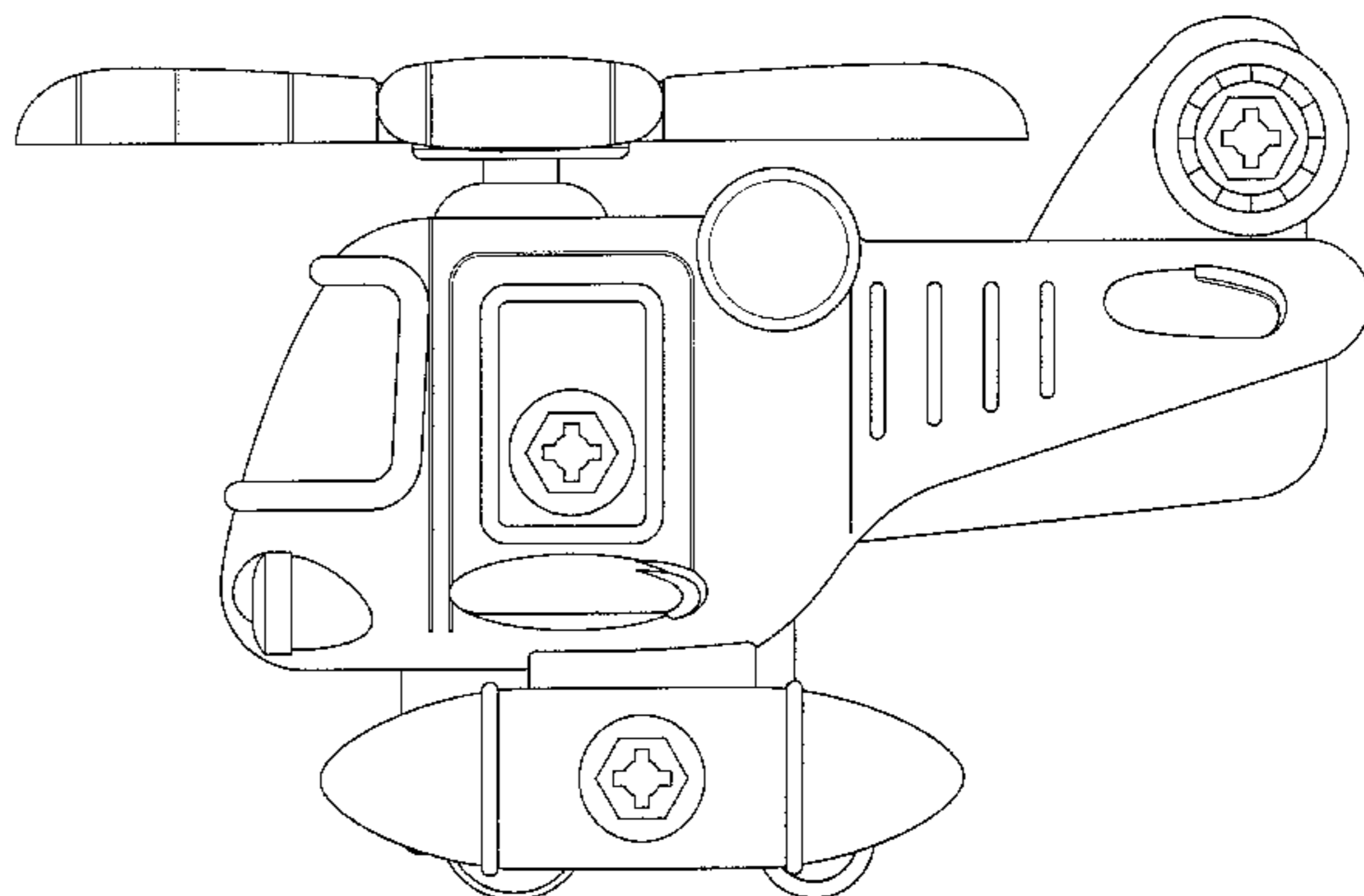
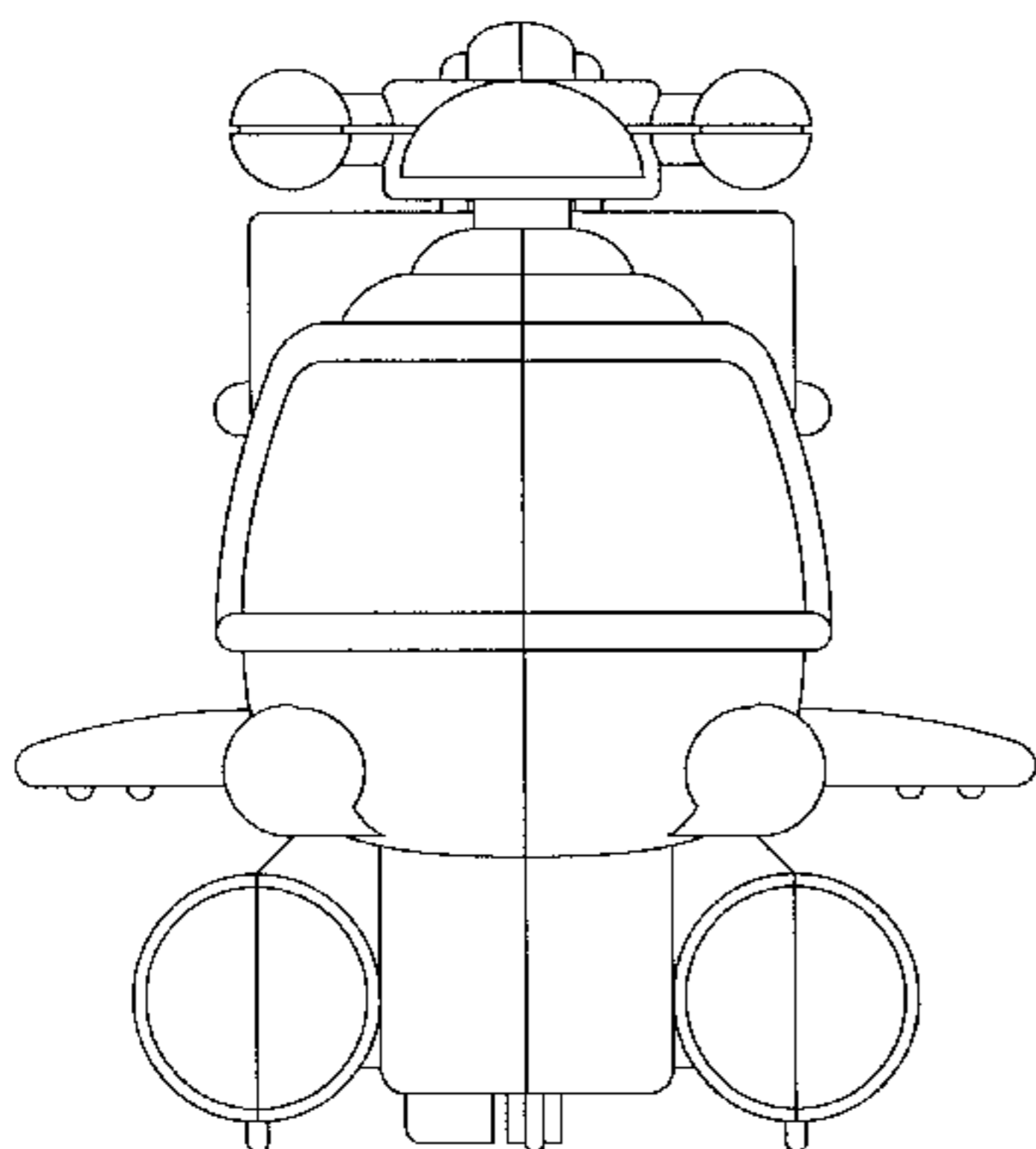
U.S. PATENT DOCUMENTS

D158,936 S * 6/1950 Crowder D21/442

D193,567 S * 9/1962 Kopman D21/442

D295,057 S * 4/1988 Lau D21/442

1 Claim, 6 Drawing Sheets



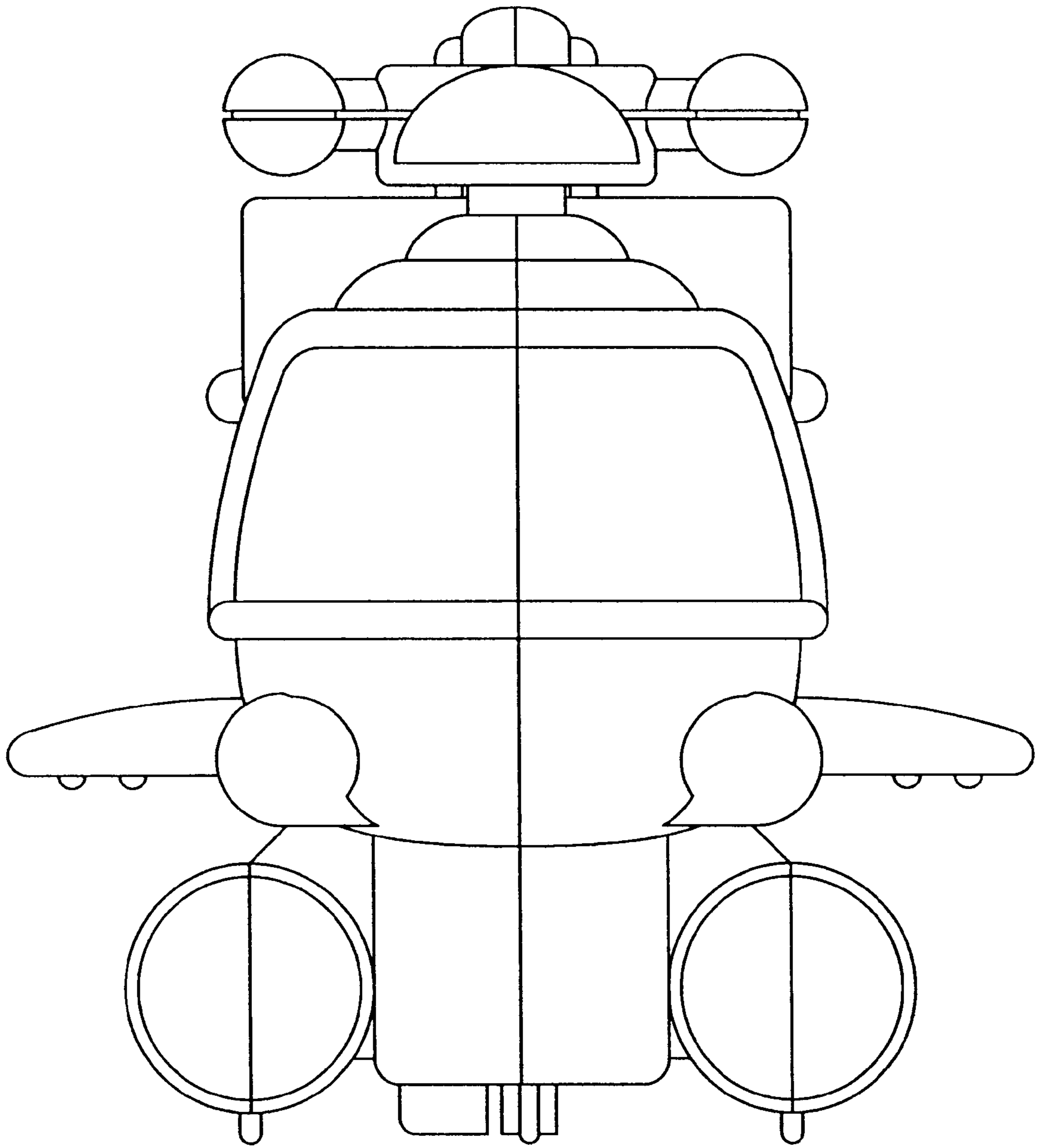


FIG. 1

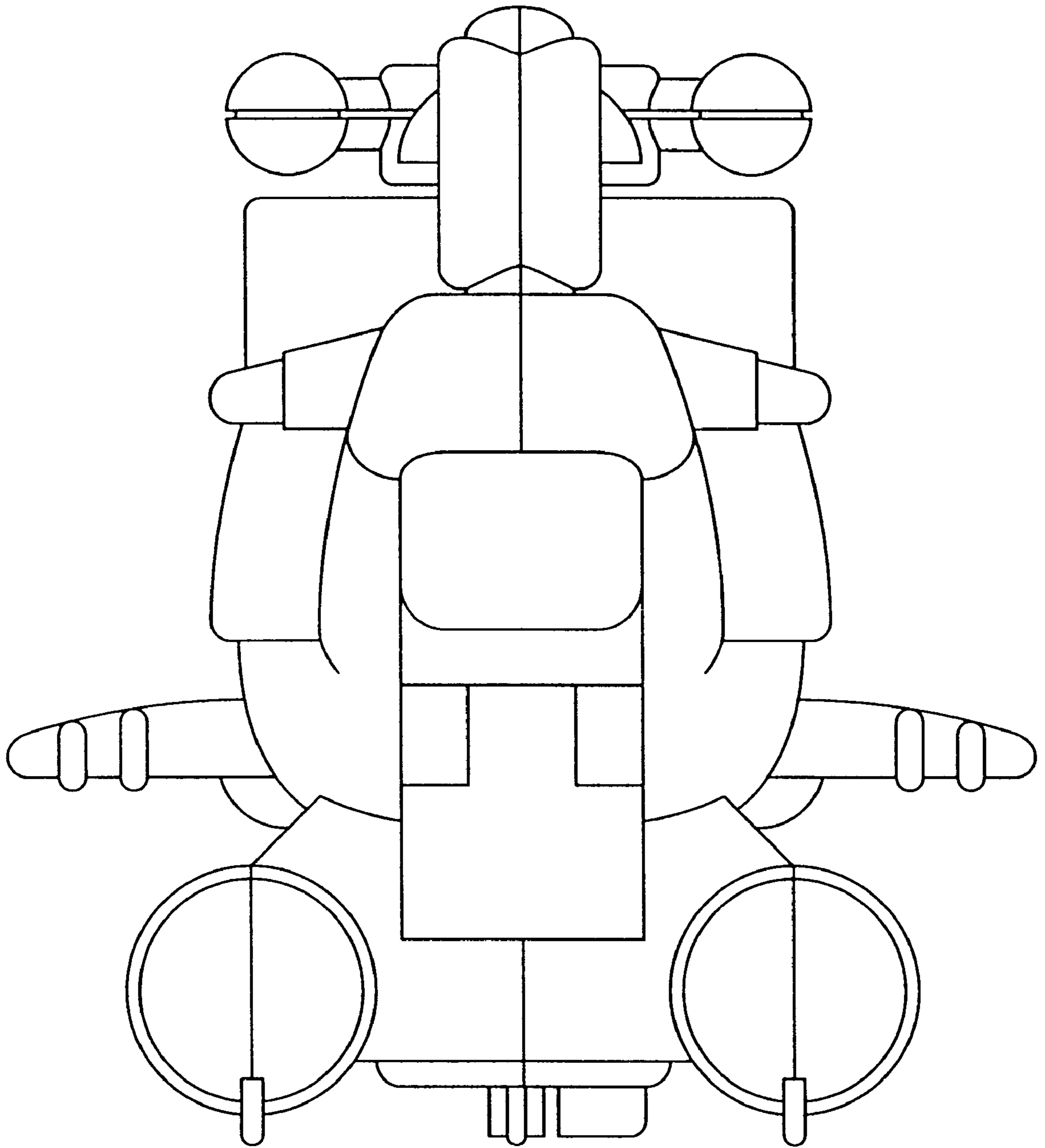


FIG. 2

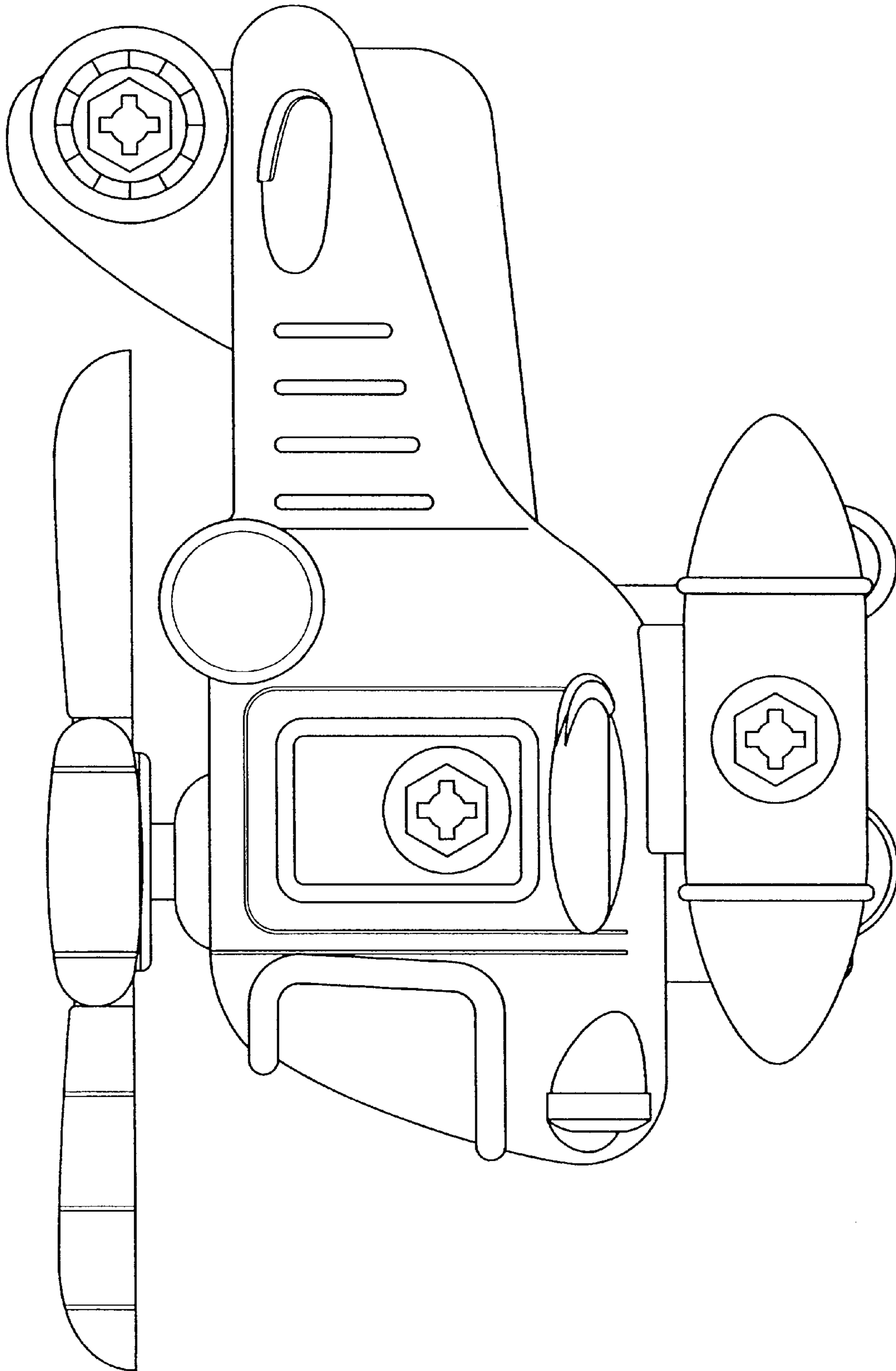


FIG. 3

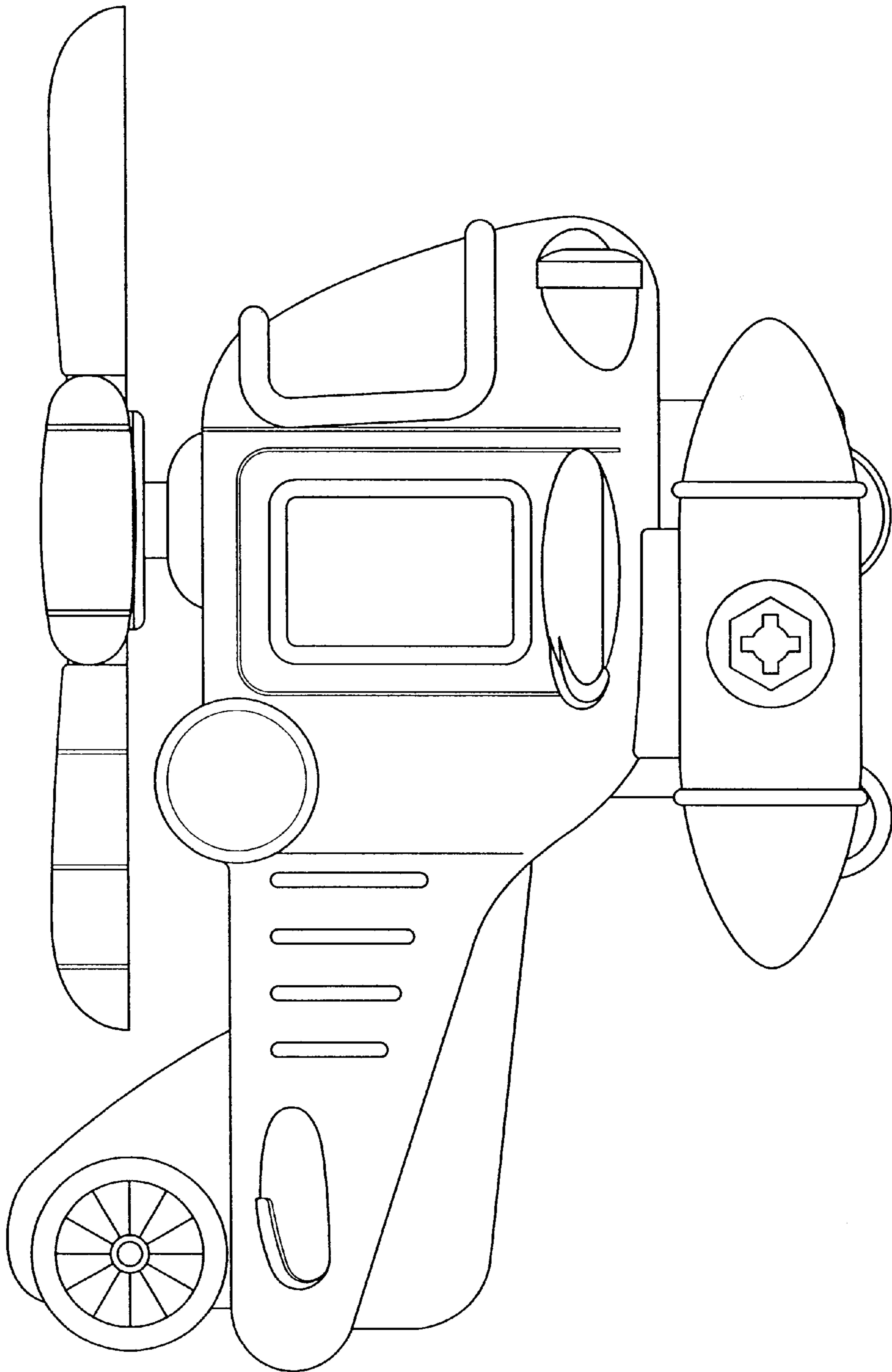


FIG. 4

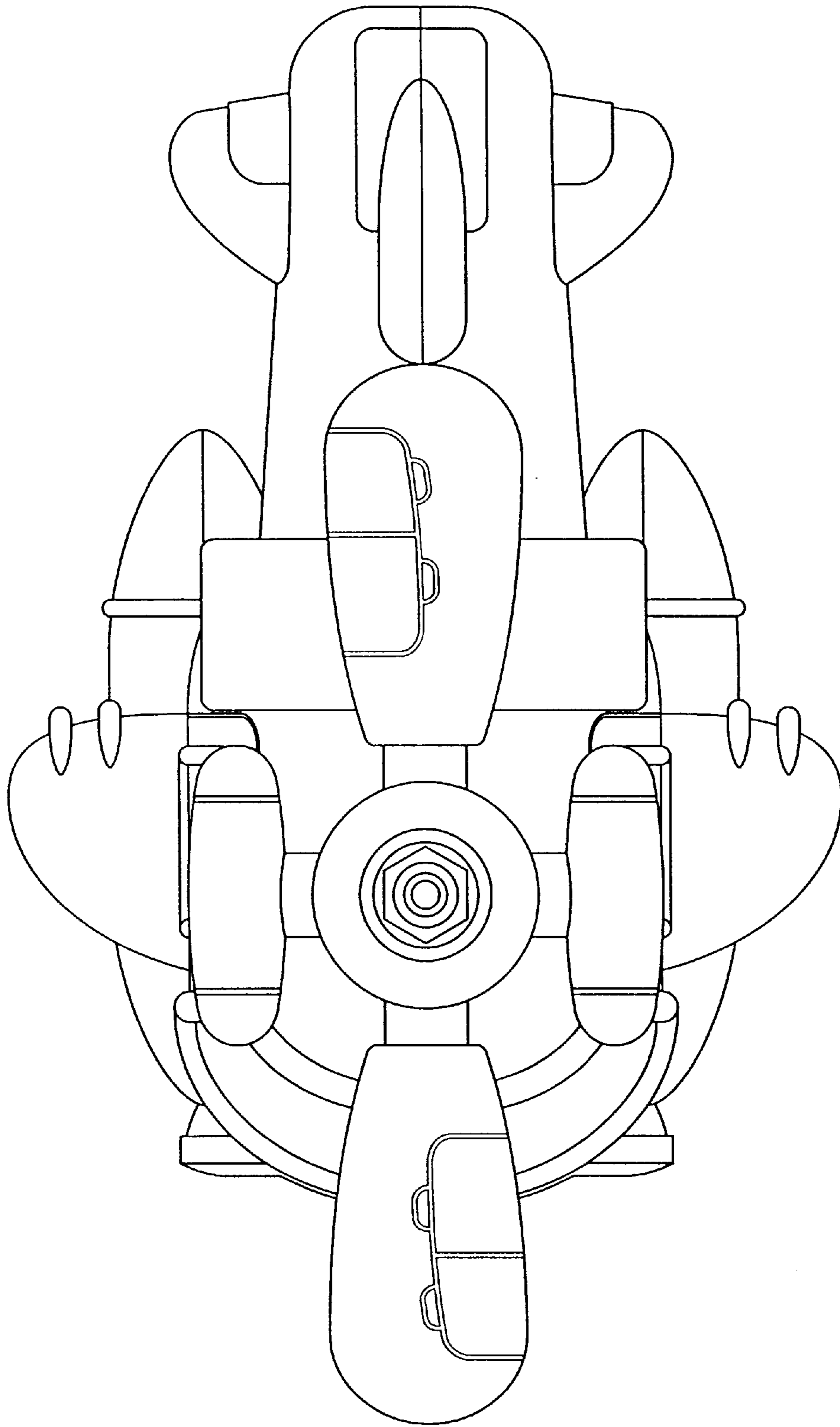


FIG. 5

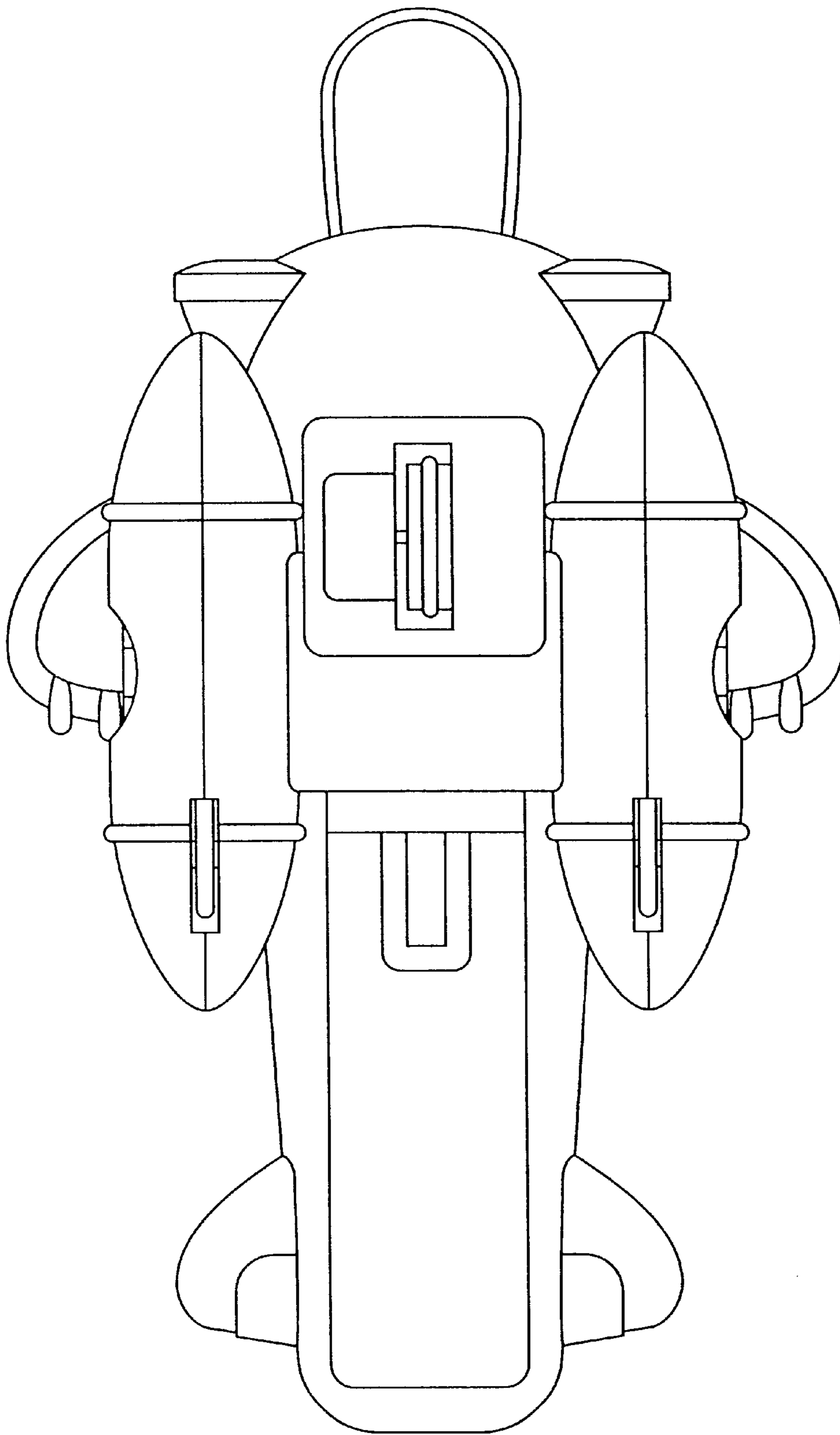


FIG. 6