



US00D453028S

(12) **United States Design Patent**
DeLuca et al.

(10) **Patent No.:** **US D453,028 S**
(45) **Date of Patent:** **** Jan. 22, 2002**

(54) **INK BOTTLE**

(75) Inventors: **Donald A. DeLuca**, Guilford; **Michael Kent**, Cheshire; **John N. Mitra**, Monroe, all of CT (US)

(73) Assignee: **BIC Corporation**, Milford, CT (US)

(**) Term: **14 Years**

(21) Appl. No.: **29/132,740**

(22) Filed: **Nov. 14, 2000**

(51) **LOC (7) Cl.** **19-06**

(52) **U.S. Cl.** **D19/93; D19/95**

(58) **Field of Search** D19/35, 36, 65,
D19/75, 79, 81-85, 93, 94, 95, 96, 99,
100; D9/453, 516, 523, 549, 559; 141/112;
215/382, 383; 222/588, 589; 248/688; 211/50

(56) **References Cited**

U.S. PATENT DOCUMENTS

1,380,129	A	*	5/1921	Wolff	248/688
D124,384	S	*	12/1940	Eherlich	D9/453
2,379,588	A	*	7/1945	Morris	211/50
D155,776	S	*	11/1949	Burns	D19/84
D170,828	S	*	11/1953	Morris et al.	D19/84
D211,561	S	*	7/1968	Pizzurro	D9/549
D332,920	S	*	2/1993	Tirmani et al.	D9/552
5,482,191	A	*	1/1996	Kaufmann	222/577
5,641,078	A	*	6/1997	Kaufmann	211/69.4
D388,708	S	*	1/1998	Monaghan	D9/523
D428,924	S	*	8/2000	Brouwer et al.	D19/85

* cited by examiner

Primary Examiner—Martie K. Holtje

(74) *Attorney, Agent, or Firm*—Pennie & Edmonds LLP

(57) **CLAIM**

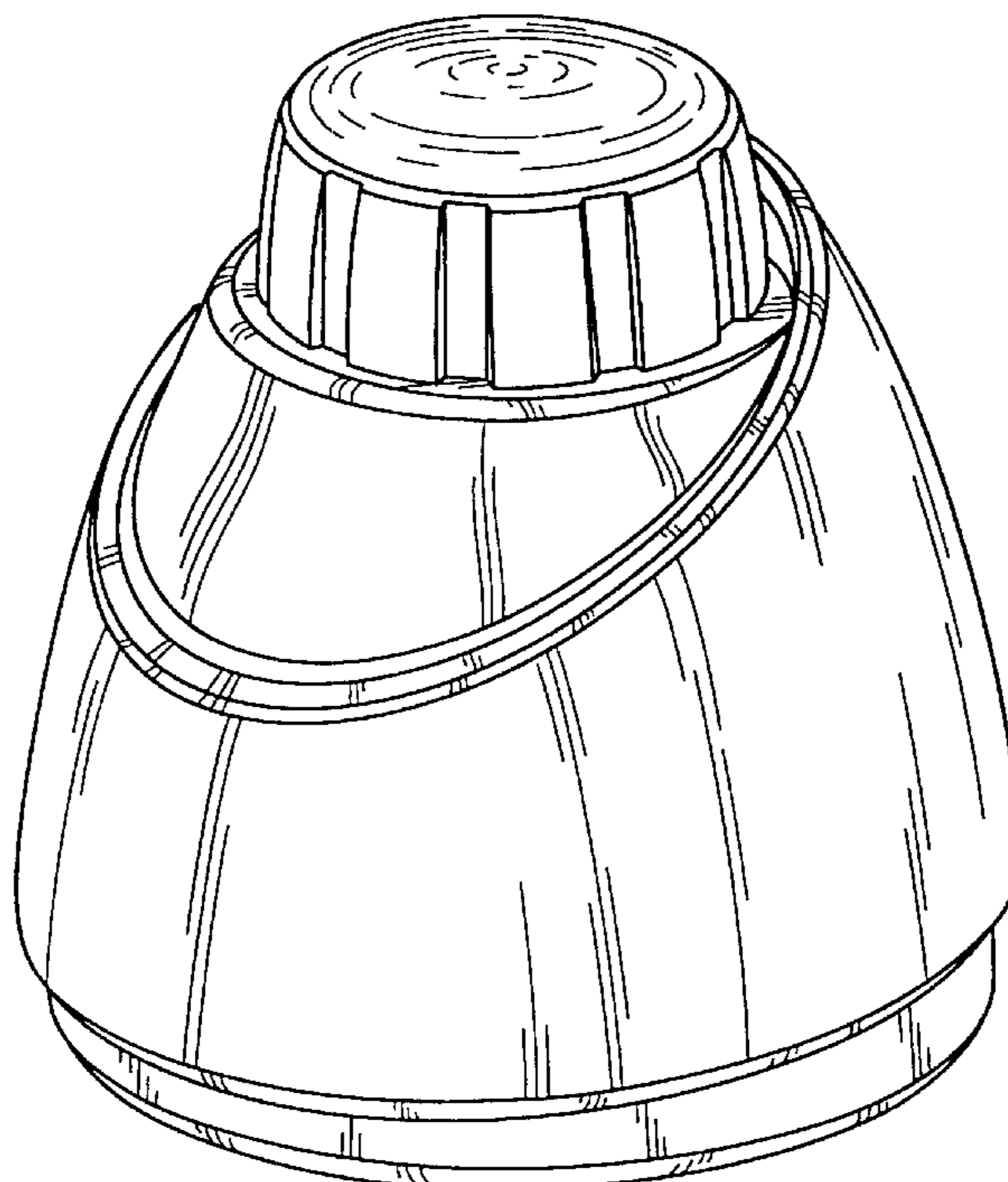
The ornamental design for an ink bottle, as shown and described.

DESCRIPTION

FIG. 1 is a top, right side, perspective view of an ornamental design for an ink bottle according to the present invention; FIG. 2 is a front elevational view thereof; FIG. 3 is a left side elevational view thereof; FIG. 4 is a right side elevational view thereof; FIG. 5 is a rear elevational view thereof; FIG. 6 is a top plan view thereof; and FIG. 7 is a bottom plan view thereof.

FIG. 8 is a top, right side, perspective view of an ornamental design for a second embodiment of an ink bottle according to the present invention; FIG. 9 is a front elevational view of the ink bottle of FIG. 8; FIG. 10 is a left side elevational view of the ink bottle of FIG. 8; FIG. 11 is a right side elevational view of the ink bottle of FIG. 8; FIG. 12 is a rear elevational view of the ink bottle of FIG. 8; FIG. 13 is a top plan view of the ink bottle of FIG. 8; and, FIG. 14 is a bottom plan view of the ink bottle of FIG. 8. All portions shown in broken lines are for illustrative purposes only and form no part of the claimed design.

1 Claim, 14 Drawing Sheets



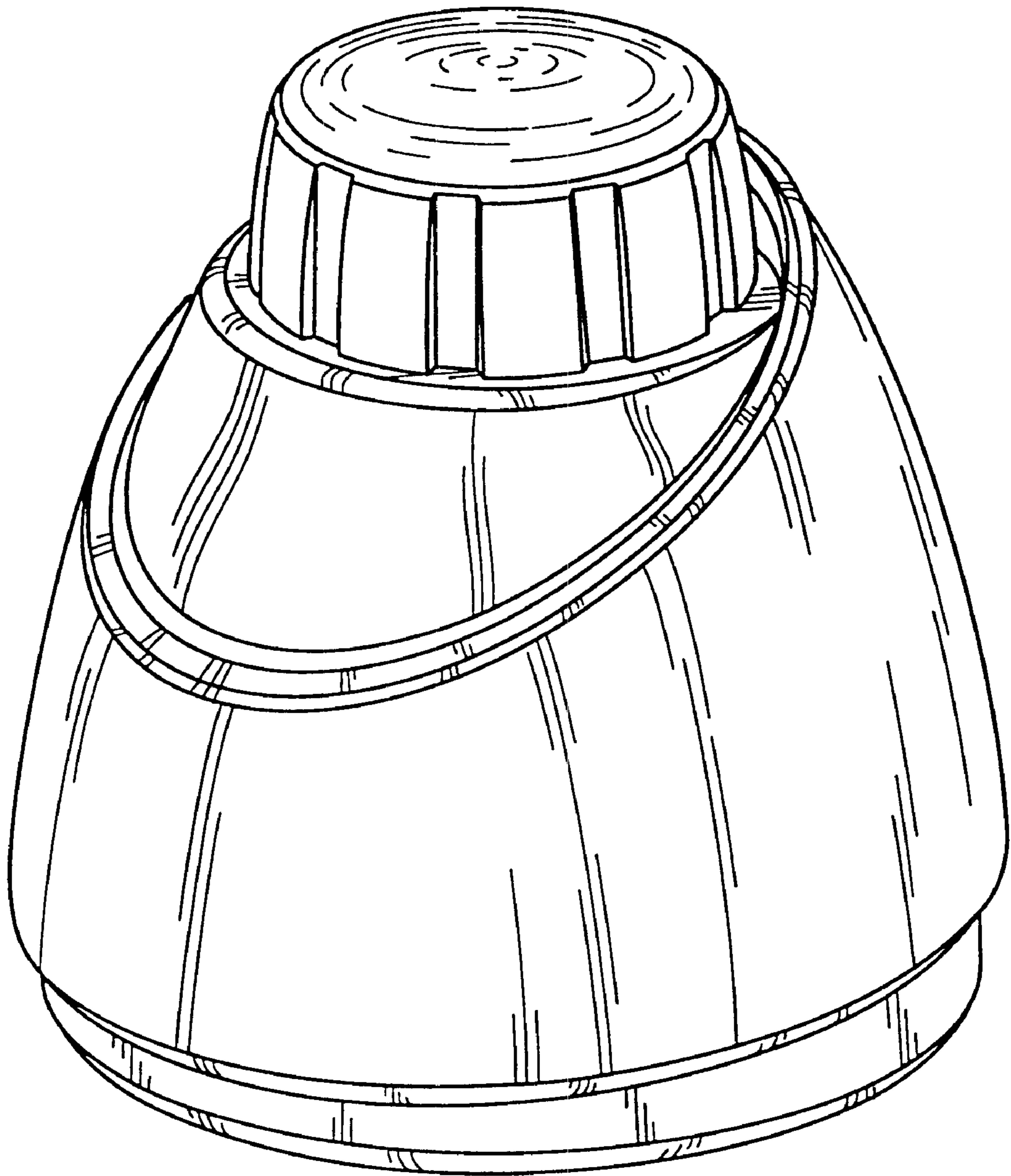


Fig. 1

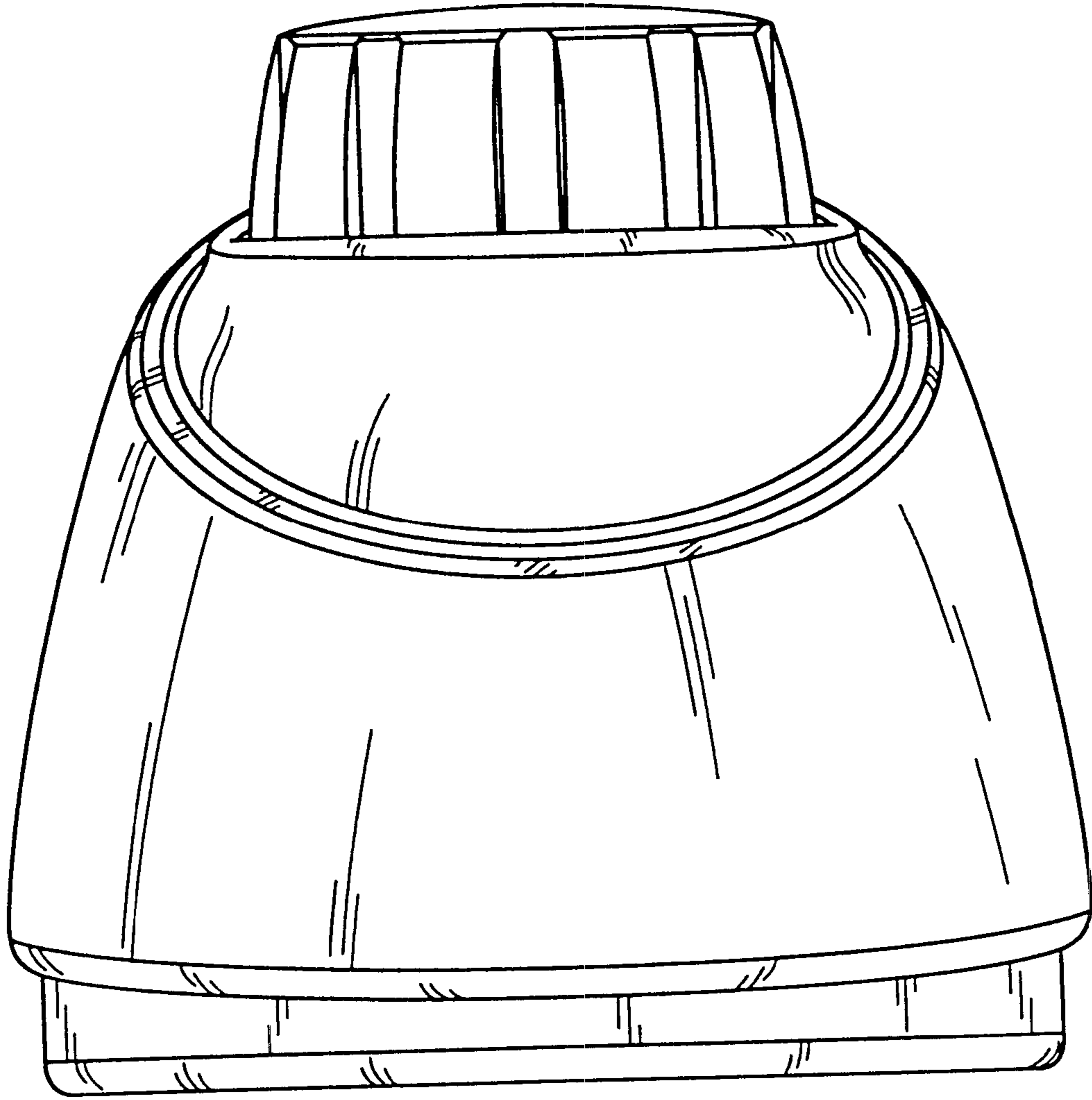


Fig. 2

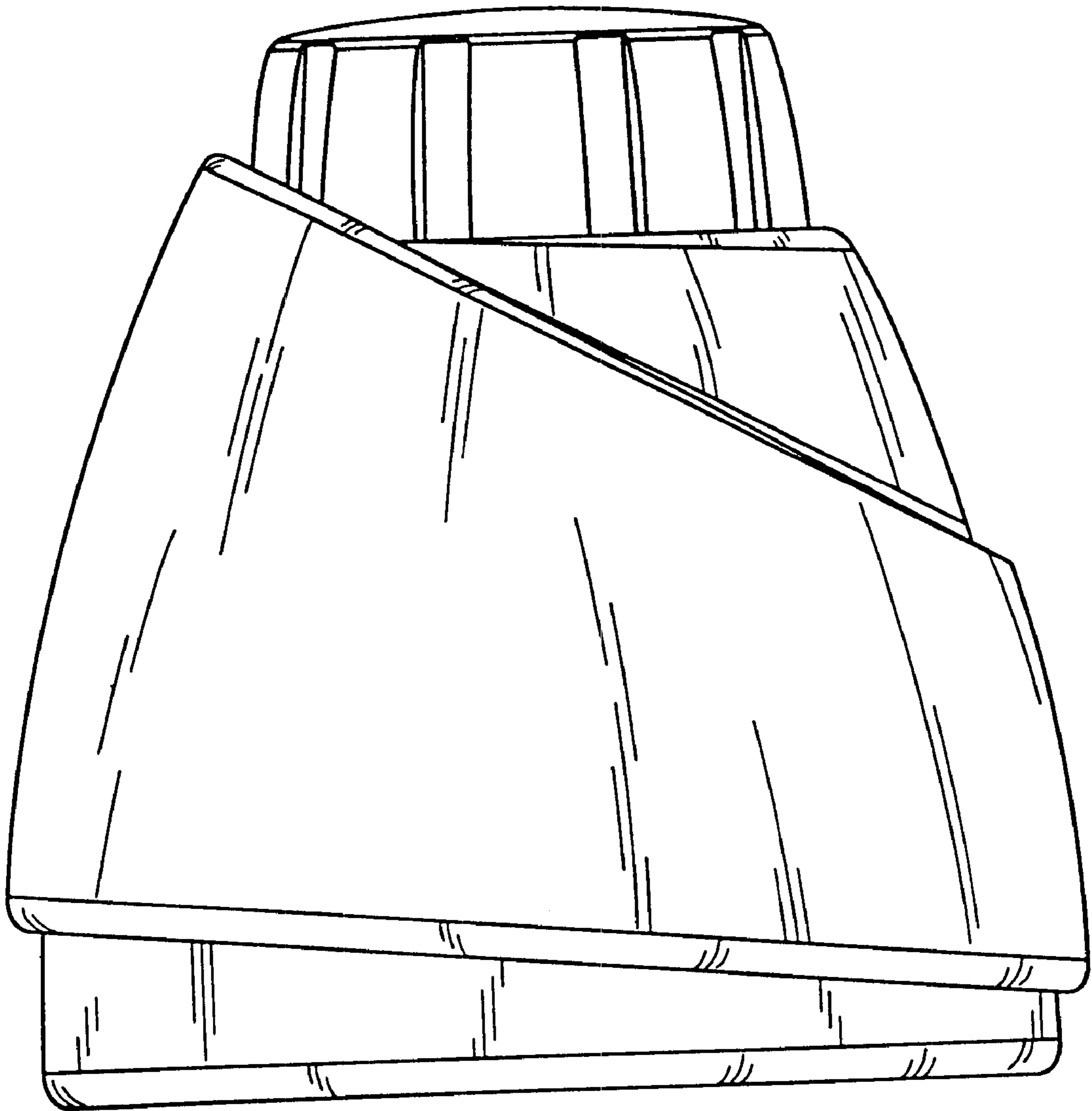


Fig. 3

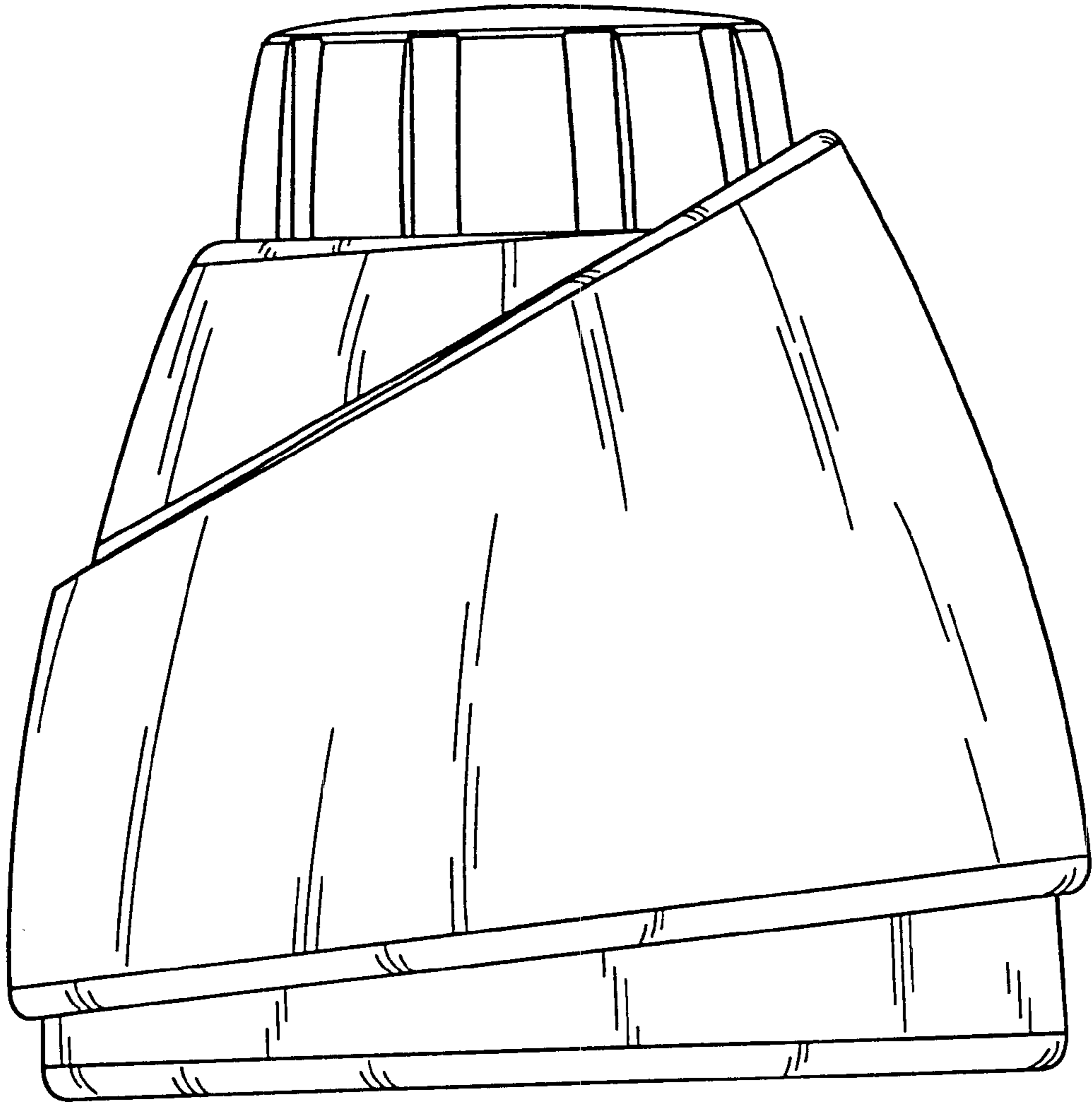


Fig. 4

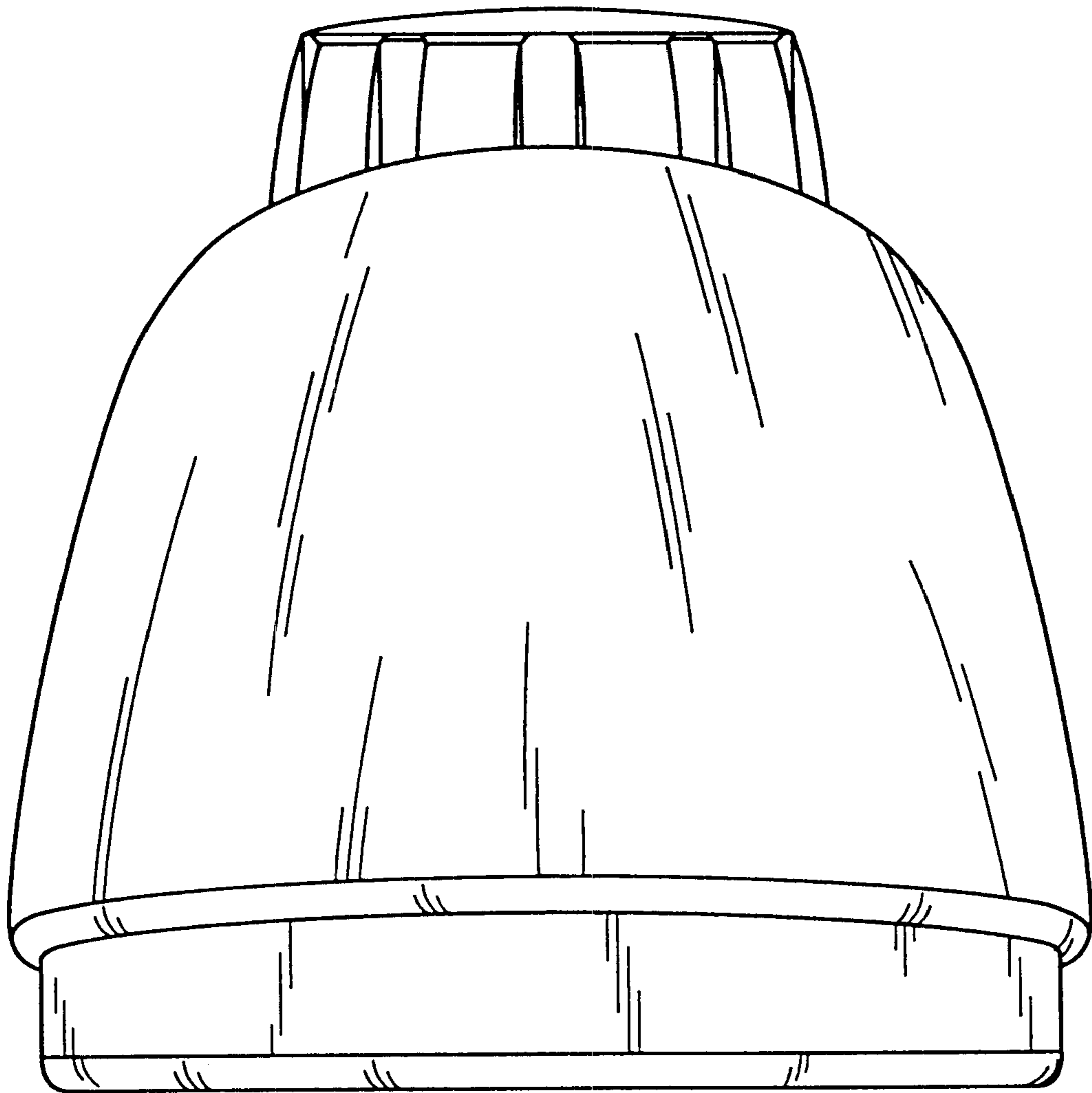


Fig. 5

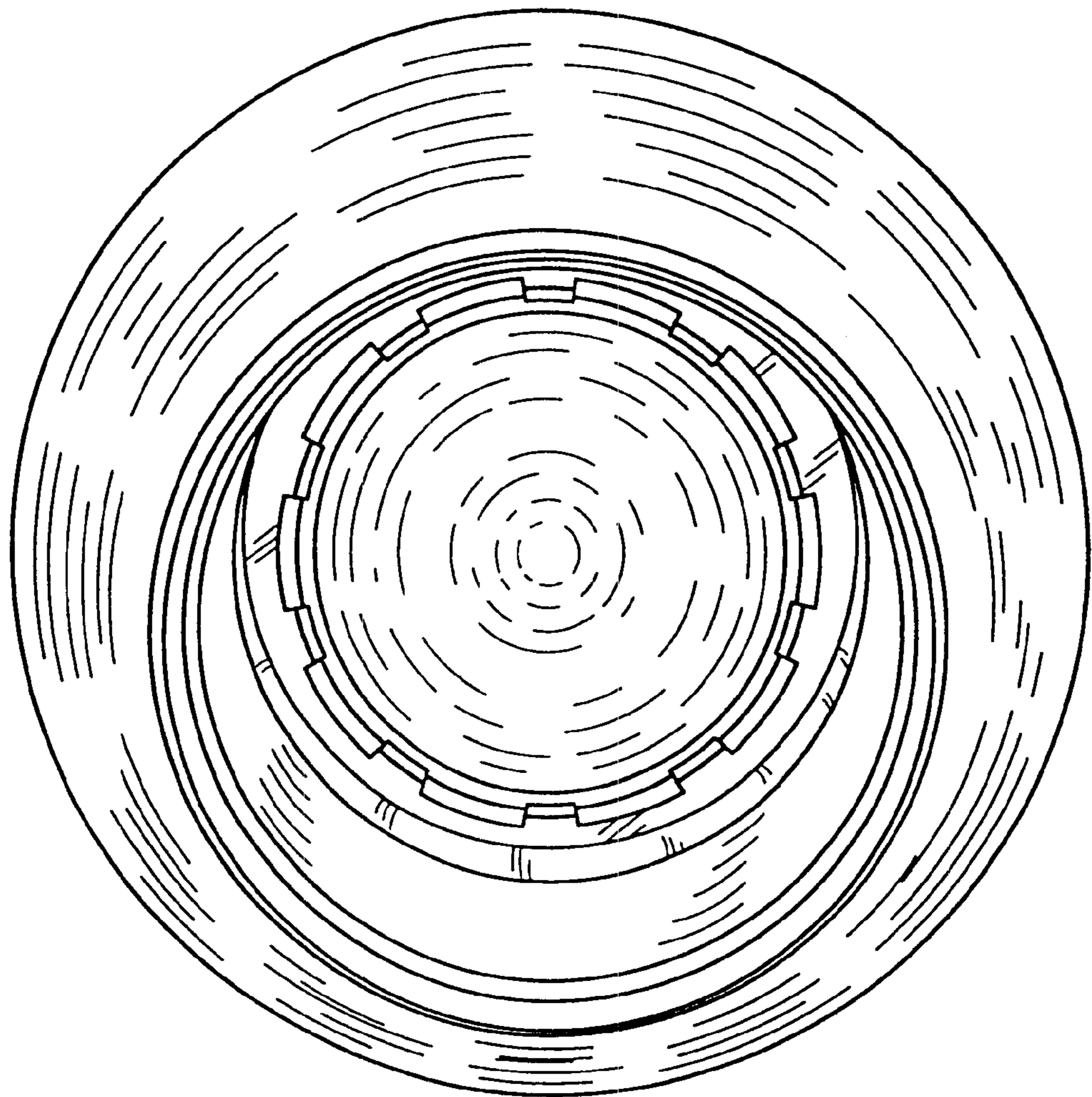


Fig. 6

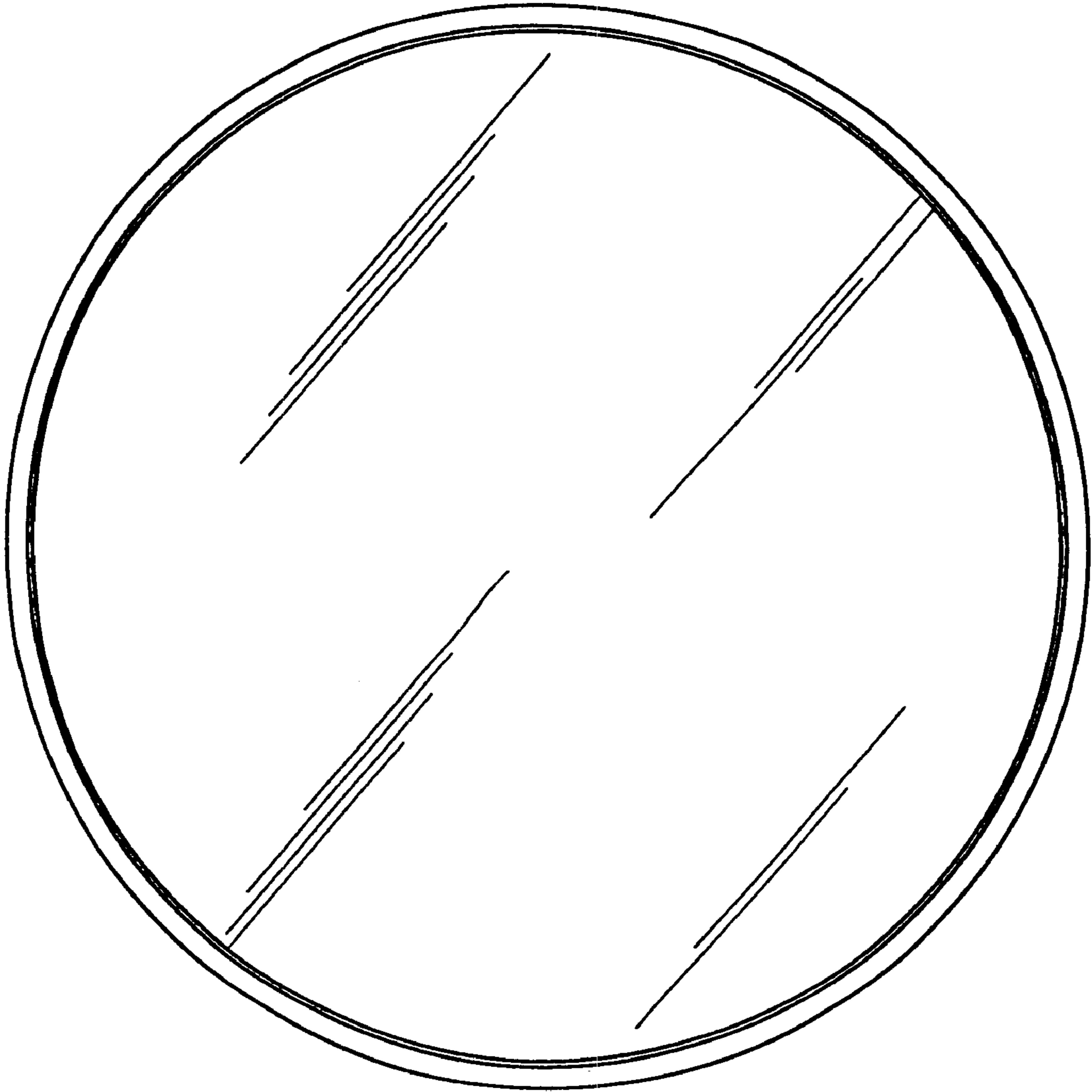


Fig. 7

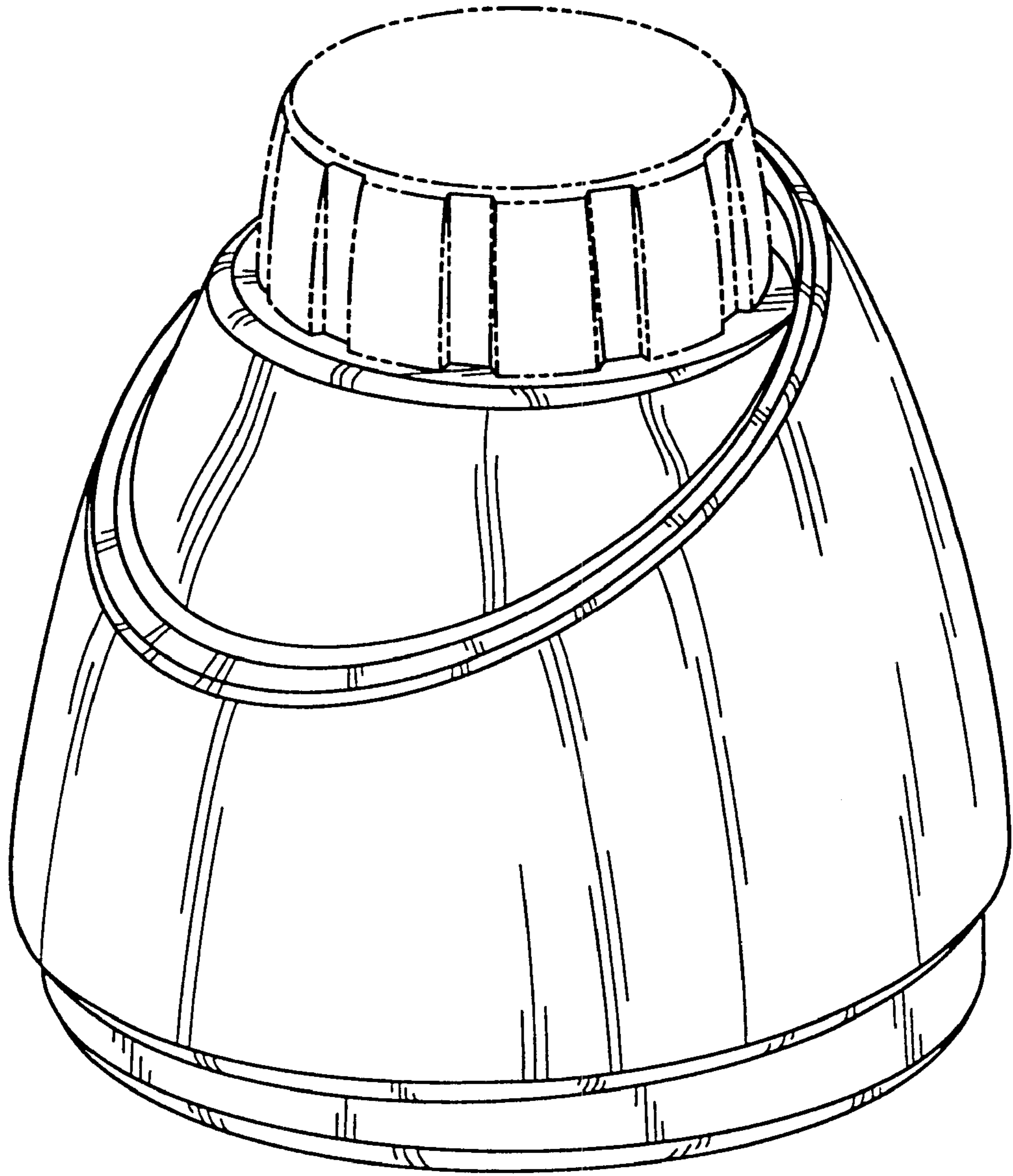


Fig. 8

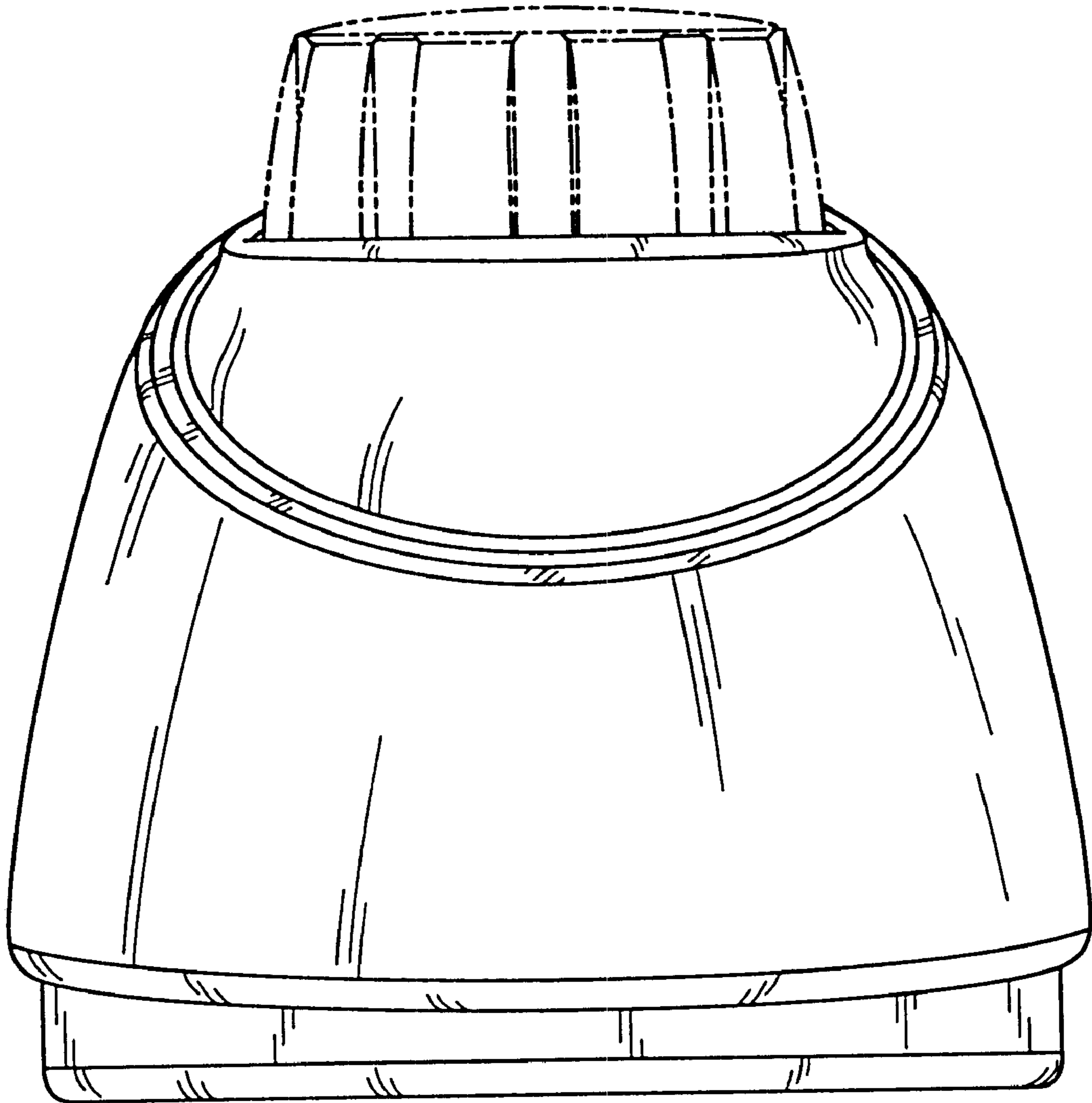


Fig. 9

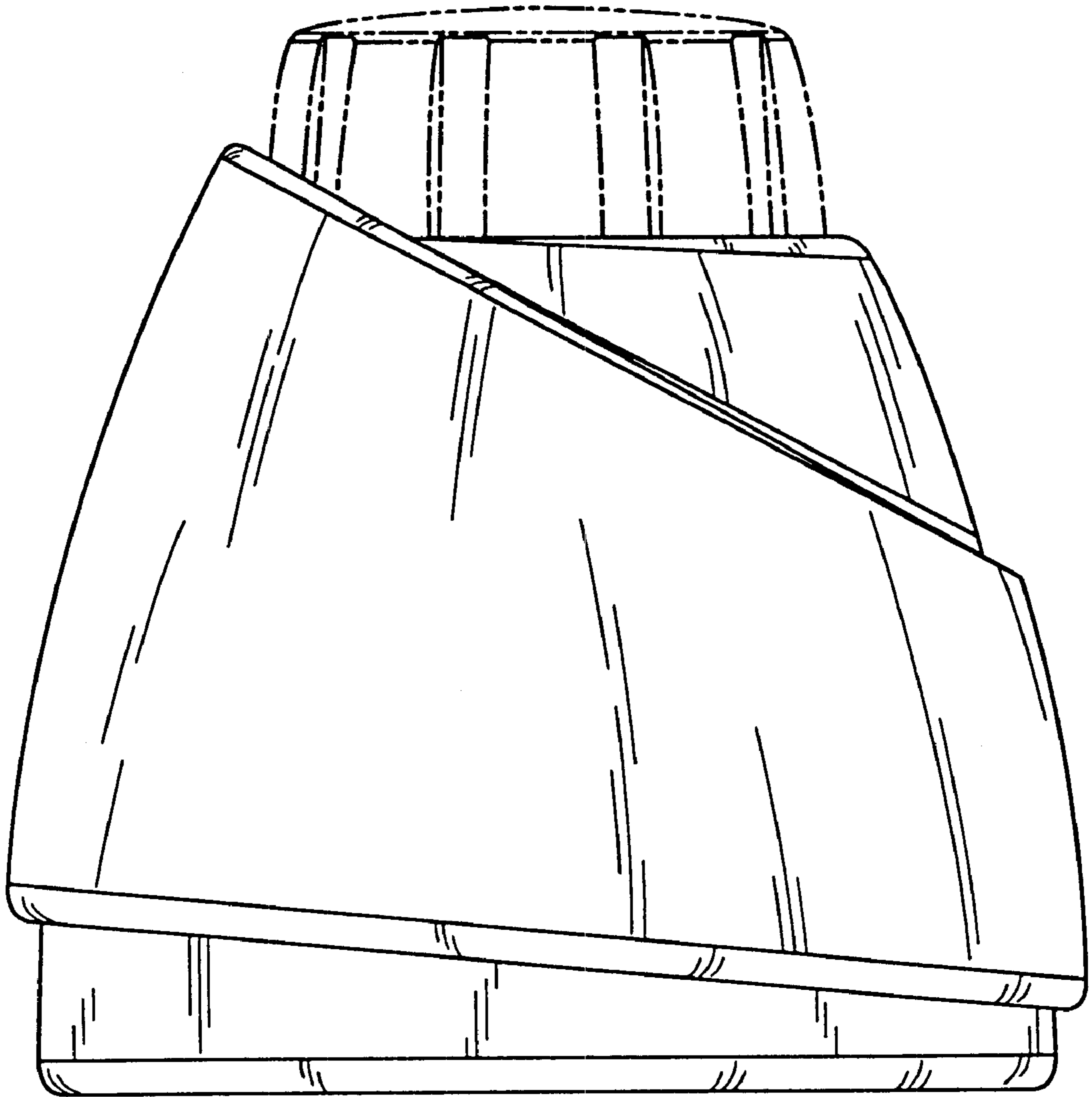


Fig. 10

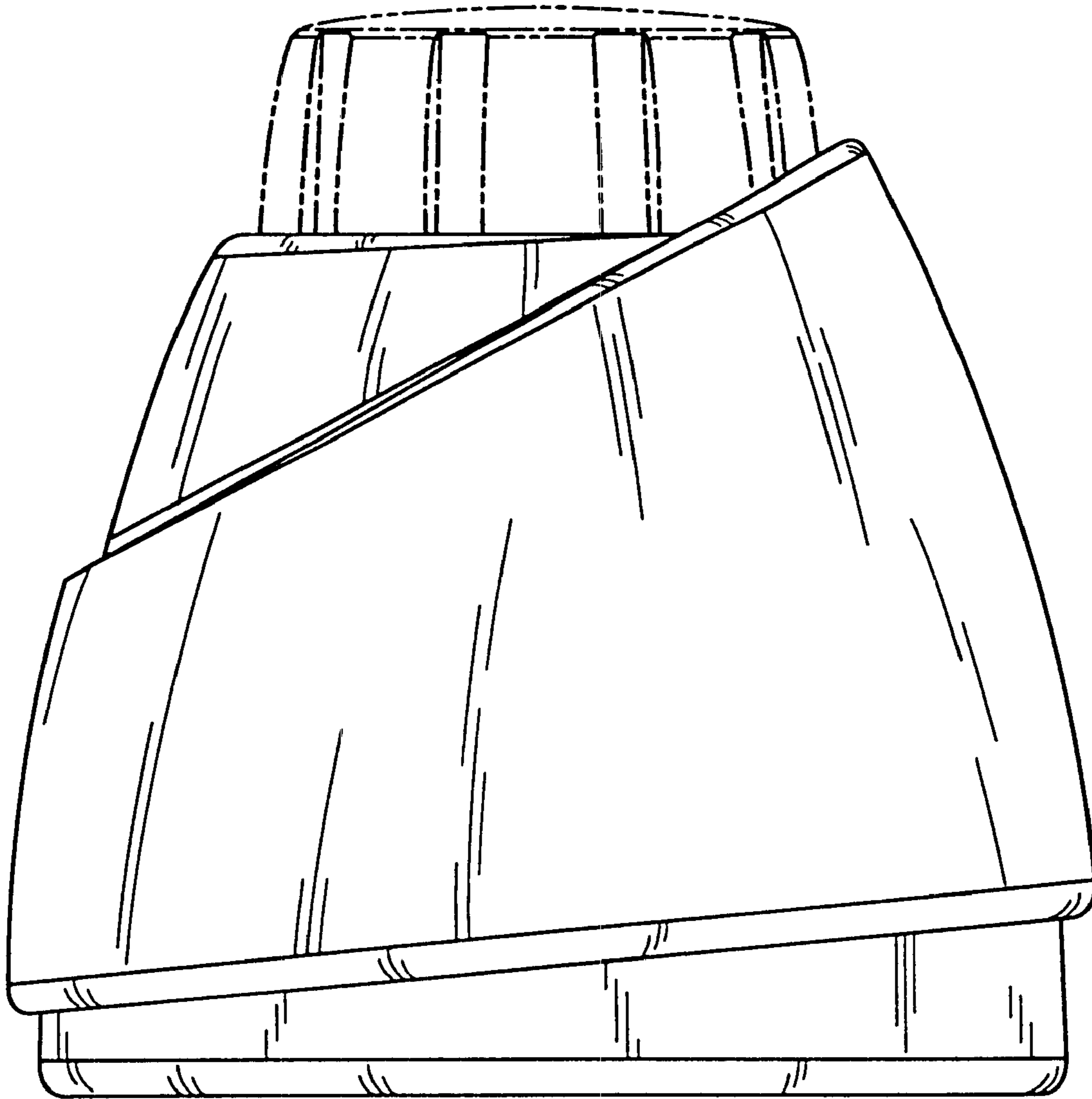


Fig. 11

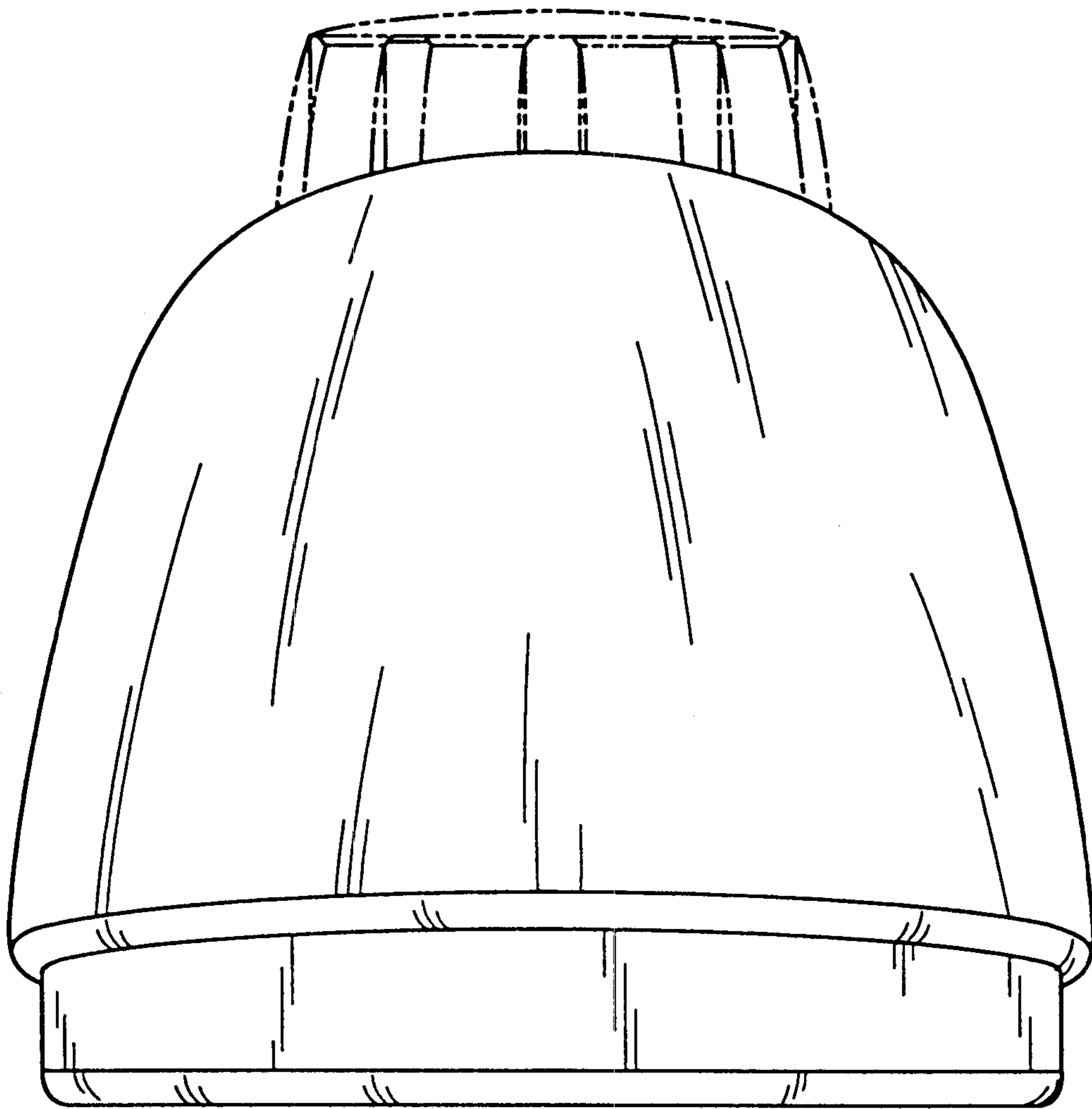


Fig. 12

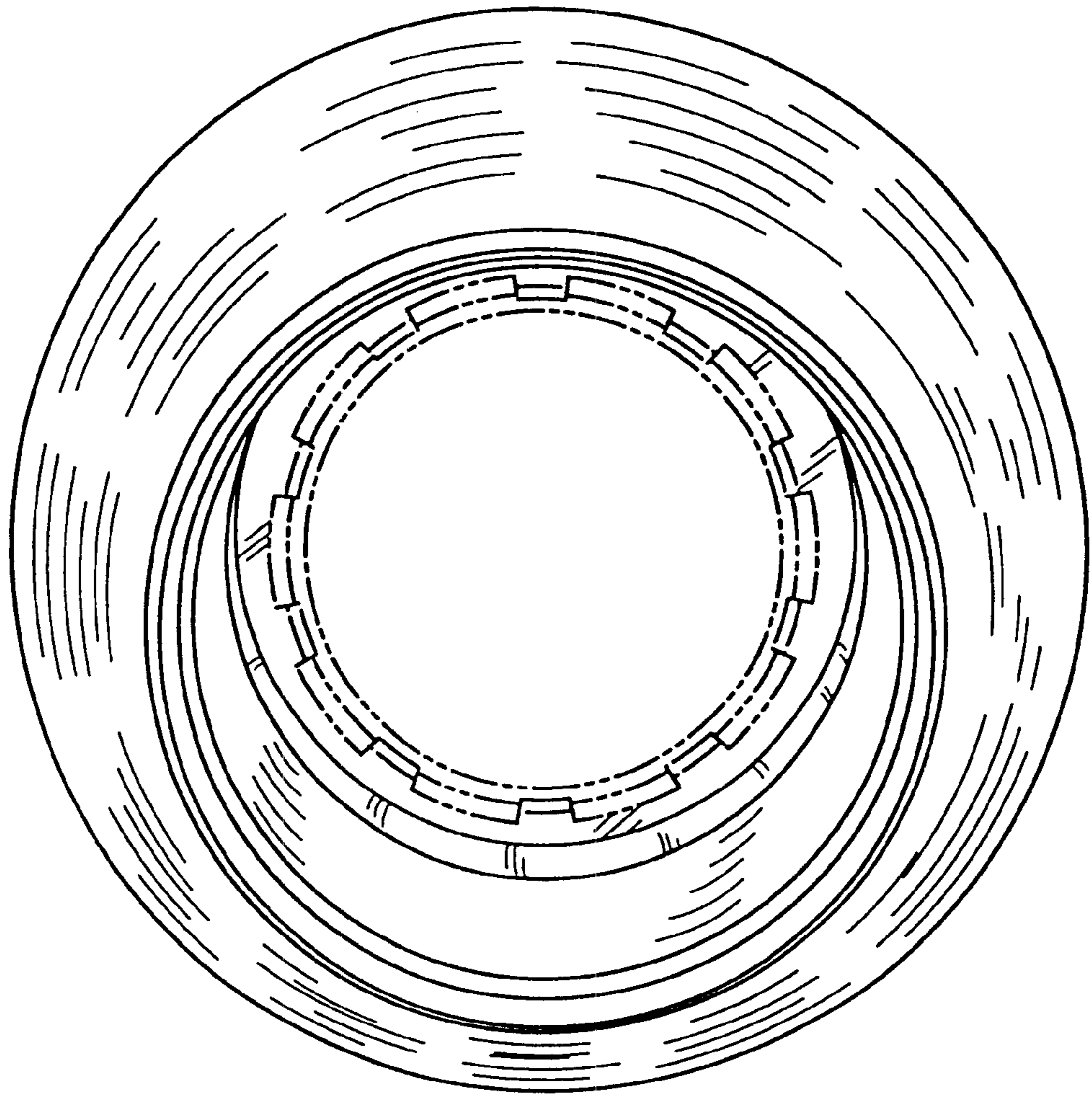


Fig. 13

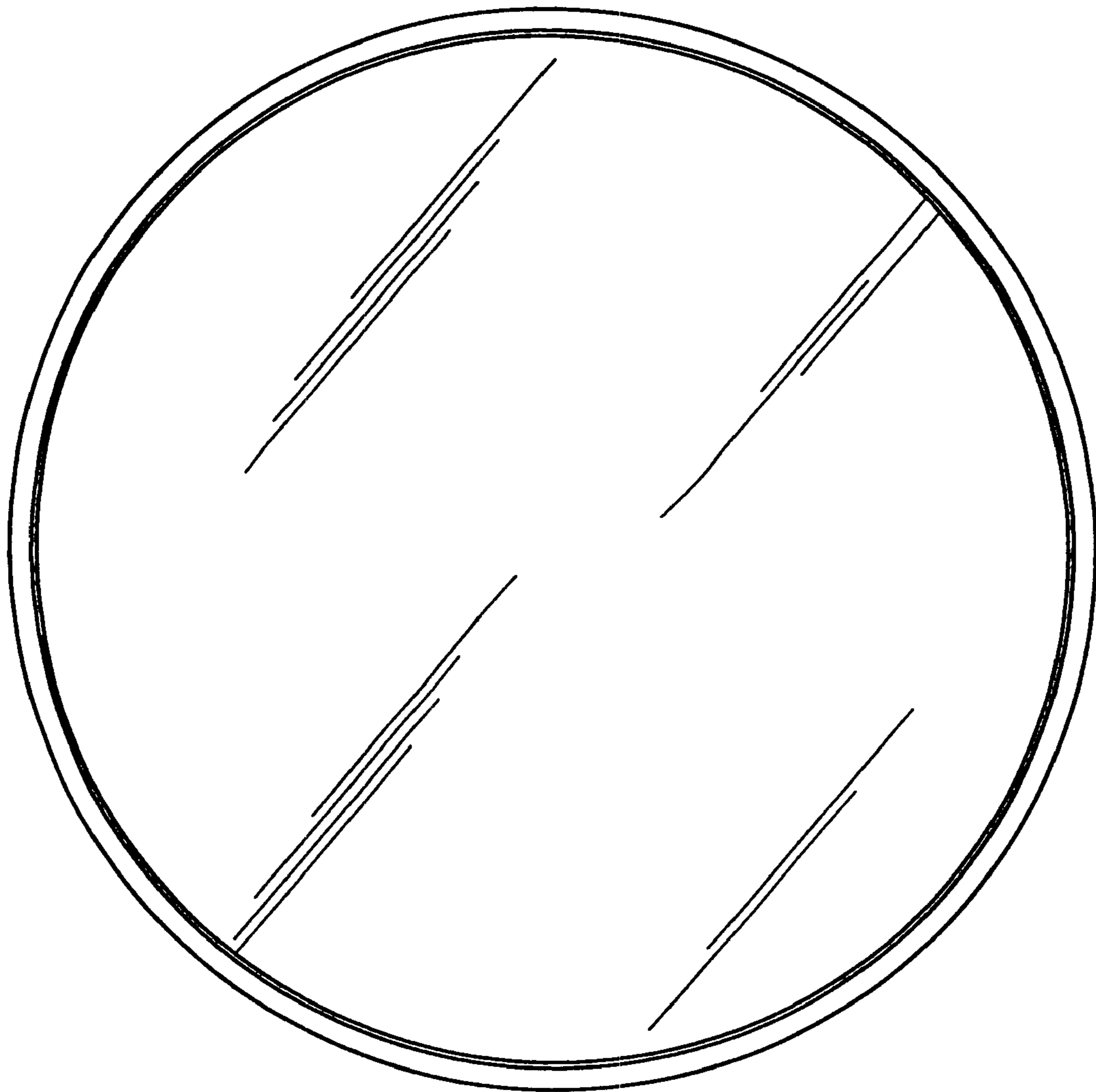


Fig. 14