



US00D453026S

(12) **United States Design Patent**
To

(10) **Patent No.:**

US D453,026 S

(45) **Date of Patent:**

**** Jan. 22, 2002**

(54) **RING BINDER**

(75) **Inventor:** **Chun Yuen To**, Kauto Shan Shatin N.T. (HK)

(73) **Assignee:** **World Wide Stationery Manufacturing Company, Ltd.**, Hong Kong (HK)

(**) **Term:** **14 Years**

(21) **Appl. No.:** **29/146,094**

(22) **Filed:** **Aug. 3, 2001**

(51) **LOC (7) Cl.** **19-04**

(52) **U.S. Cl.** **D19/32**

(58) **Field of Search** D19/26, 27, 32, D19/49, 100; 402/26, 31, 36, 38, 39, 41; 281/3.1, 15.1, 21.1, 22, 27.1, 27.2, 27.3, 28, 29, 30, 31, 32, 39, 45, 46, 47, 48, 49, 50, 51

(56) **References Cited**

U.S. PATENT DOCUMENTS

RE18,806 E	*	4/1933	Dawson	402/38
2,218,105 A	*	10/1940	Griffin	402/38
2,673,564 A	*	3/1954	Derringer	402/38
3,263,687 A		8/1966	Weichert		
3,404,685 A	*	10/1968	Vernon	402/41
4,552,478 A		11/1985	Cohen		
D356,112 S	*	3/1995	Constantine	D19/32
D377,805 S		2/1997	To		
D382,593 S		8/1997	To		

D392,997 S	*	3/1998	Chan	D19/32
D408,851 S	*	4/1999	To	D19/32
5,971,649 A		10/1999	To		
5,980,146 A		11/1999	To		
D426,571 S		6/2000	To		
D433,445 S		11/2000	To		
D434,071 S		11/2000	To		
6,217,247 B1		4/2001	Ng		

* cited by examiner

Primary Examiner—Paula A. Mortimer

(74) *Attorney, Agent, or Firm*—Senniger, Powers, Leavitt & Roedel

(57) **CLAIM**

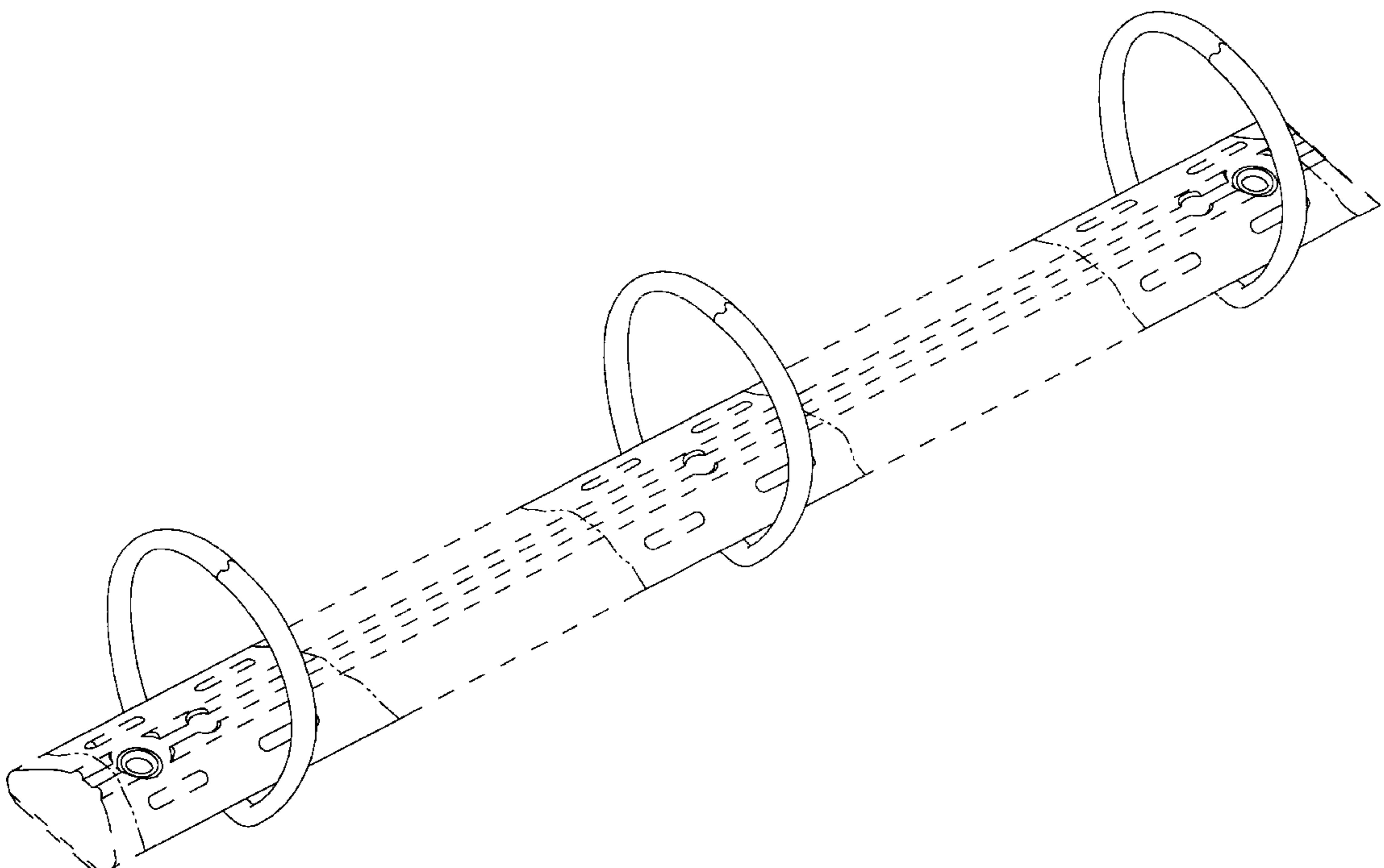
The ornamental design for a ring binder, as shown and described.

DESCRIPTION

FIG. 1 is a perspective view of a ring binder showing my new design with the rings in the closed position;
 FIG. 2 is a view similar to FIG. 1 with the rings in the open position;
 FIG. 3 is a bottom plan view thereof;
 FIG. 4 is a top plan view thereof;
 FIG. 5 is a left end elevational view thereof with the rings in the closed position, the right end being a mirror image thereof; and,
 FIG. 6 is a left end elevational view thereof with the rings in the open position.

The broken lines shown in the drawings are for illustrative purposes only and form no part of the claimed design.

1 Claim, 4 Drawing Sheets



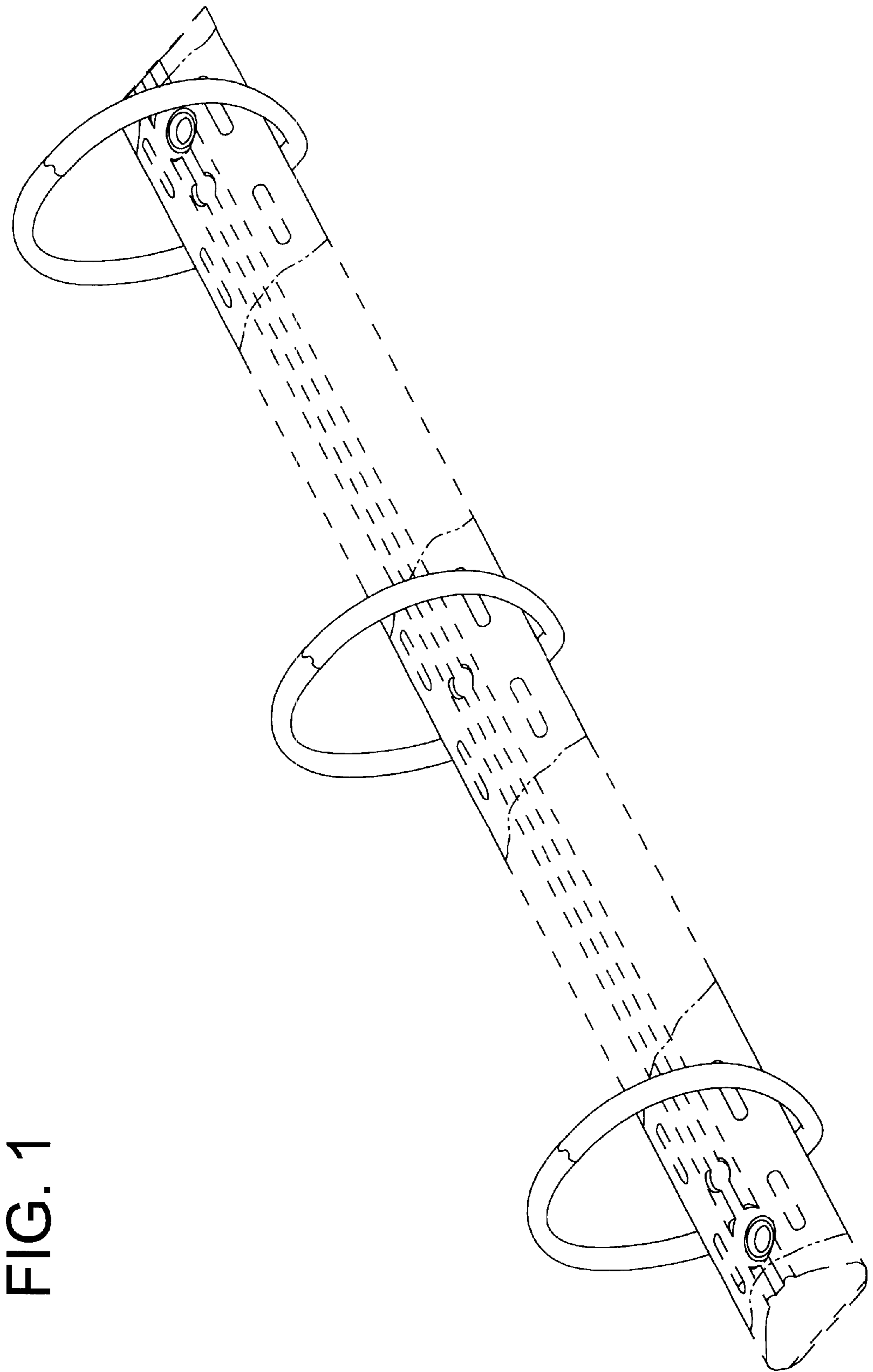


FIG. 1

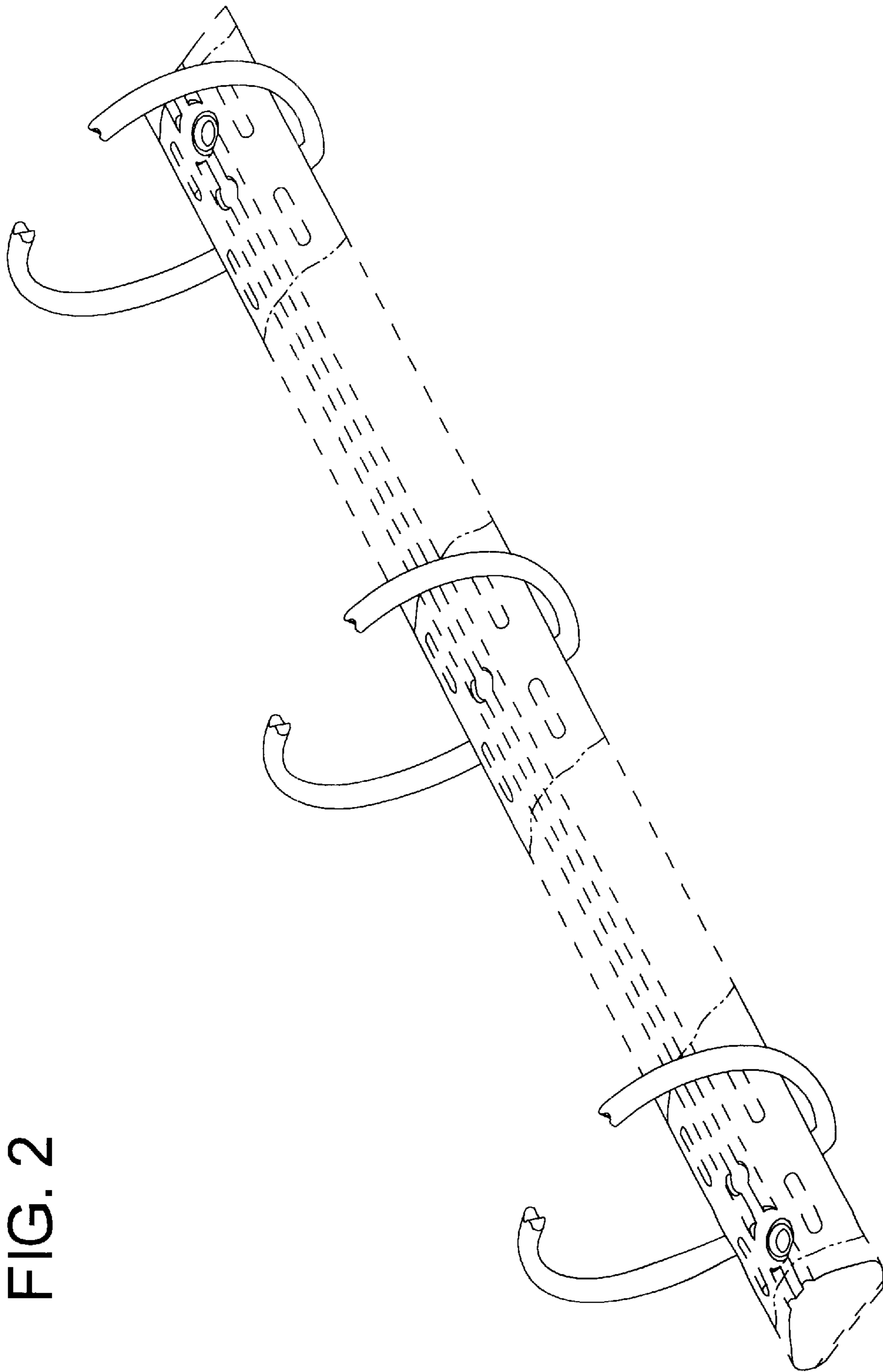


FIG. 2

FIG. 3

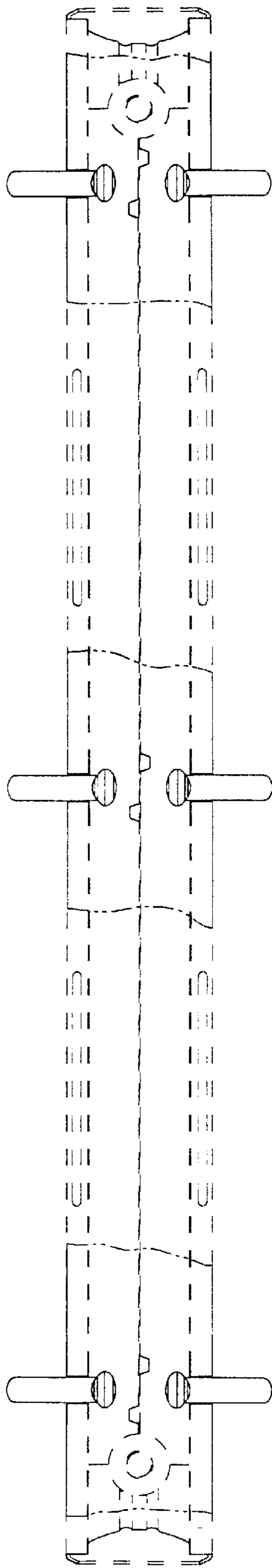


FIG. 4

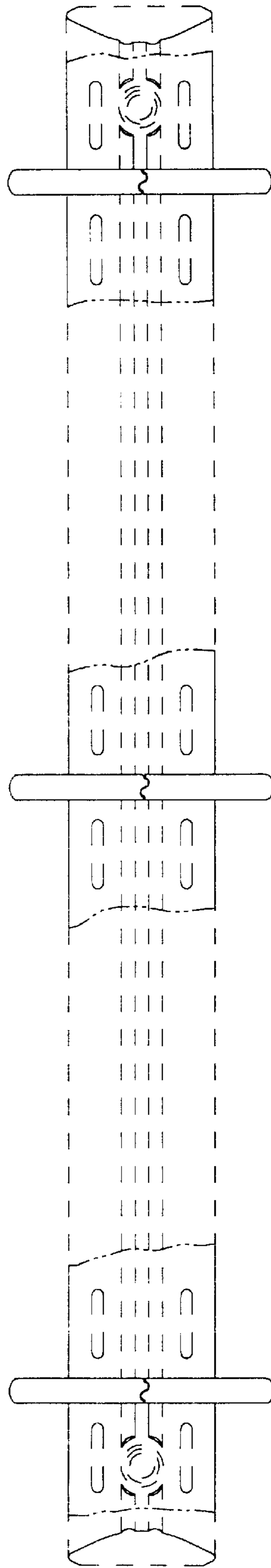


FIG. 6

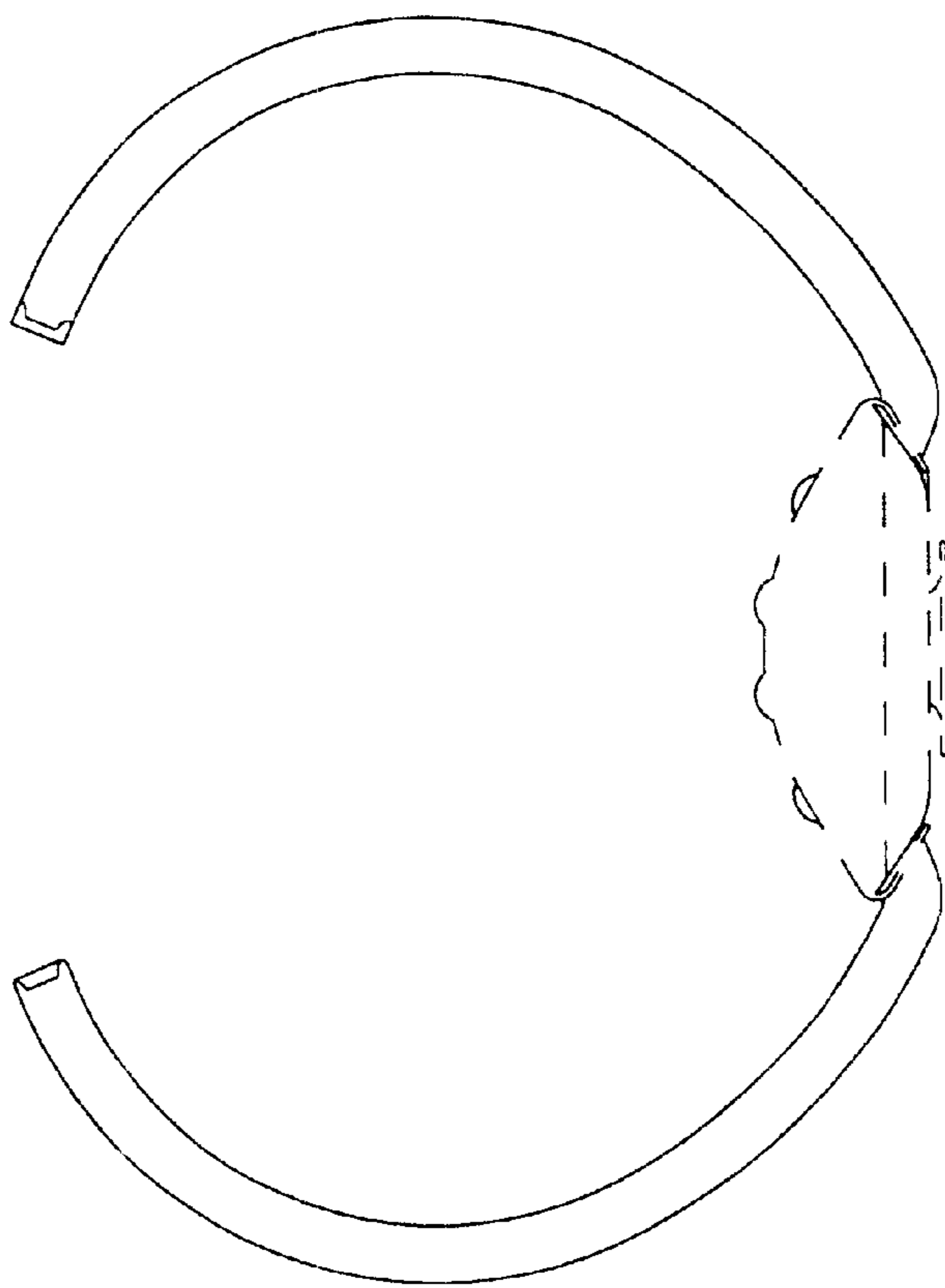


FIG. 5

