



US00D453023S

(12) **United States Design Patent**
Kaneko et al.

(10) **Patent No.:** **US D453,023 S**
(45) **Date of Patent:** **** Jan. 22, 2002**

(54) **CRAWLER DRILL**

(75) Inventors: **Tsutomu Kaneko**, Takasaki; **Kazuya Goto**, Tano-gun; **Takahiro Yamamoto**; **Yoichi Koroku**, both of Takasaki, all of (JP)

(73) Assignee: **Furukawa Co., Ltd.** (JP)

(**) Term: **14 Years**

(21) Appl. No.: **29/122,777**

(22) Filed: **May 3, 2000**

(51) **LOC (7) Cl.** **15-03**

(52) **U.S. Cl.** **D15/21**

(58) **Field of Search** D15/21, 132; 173/189,
173/9.5, 9.52; 73/152.54, 152.46; 180/9.1-9.44,
9.54, 9.62, 41, 6.48, 9.6

(56) **References Cited**

U.S. PATENT DOCUMENTS

4,181,182 A * 1/1980 Gustafsson 173/189
D267,719 S * 1/1983 Case D15/21

5,806,616 A * 9/1998 Enlund et al. 180/9.52
5,844,133 A * 12/1998 Goto et al. 73/152.54
D413,907 S 9/1999 Suzuki et al. D15/132

* cited by examiner

Primary Examiner—Mitchell Siegel

(74) *Attorney, Agent, or Firm*—Young & Basile, P.C.

(57) **CLAIM**

The ornamental design for a crawler drill, as shown and described.

DESCRIPTION

FIG. 1 is a front elevational view of a crawler drill showing our new design including a crawler vehicle having a cab with transparent windows and a drilling apparatus mounted on the crawler vehicle;

FIG. 2 is a rear elevational view thereof;

FIG. 3 is a left side elevational view thereof;

FIG. 4 is a right side elevational view thereof;

FIG. 5 is a top plan view thereof;

FIG. 6 is a bottom plan view thereof; and,

FIG. 7 is a front, top and left side perspective view thereof.

1 Claim, 7 Drawing Sheets

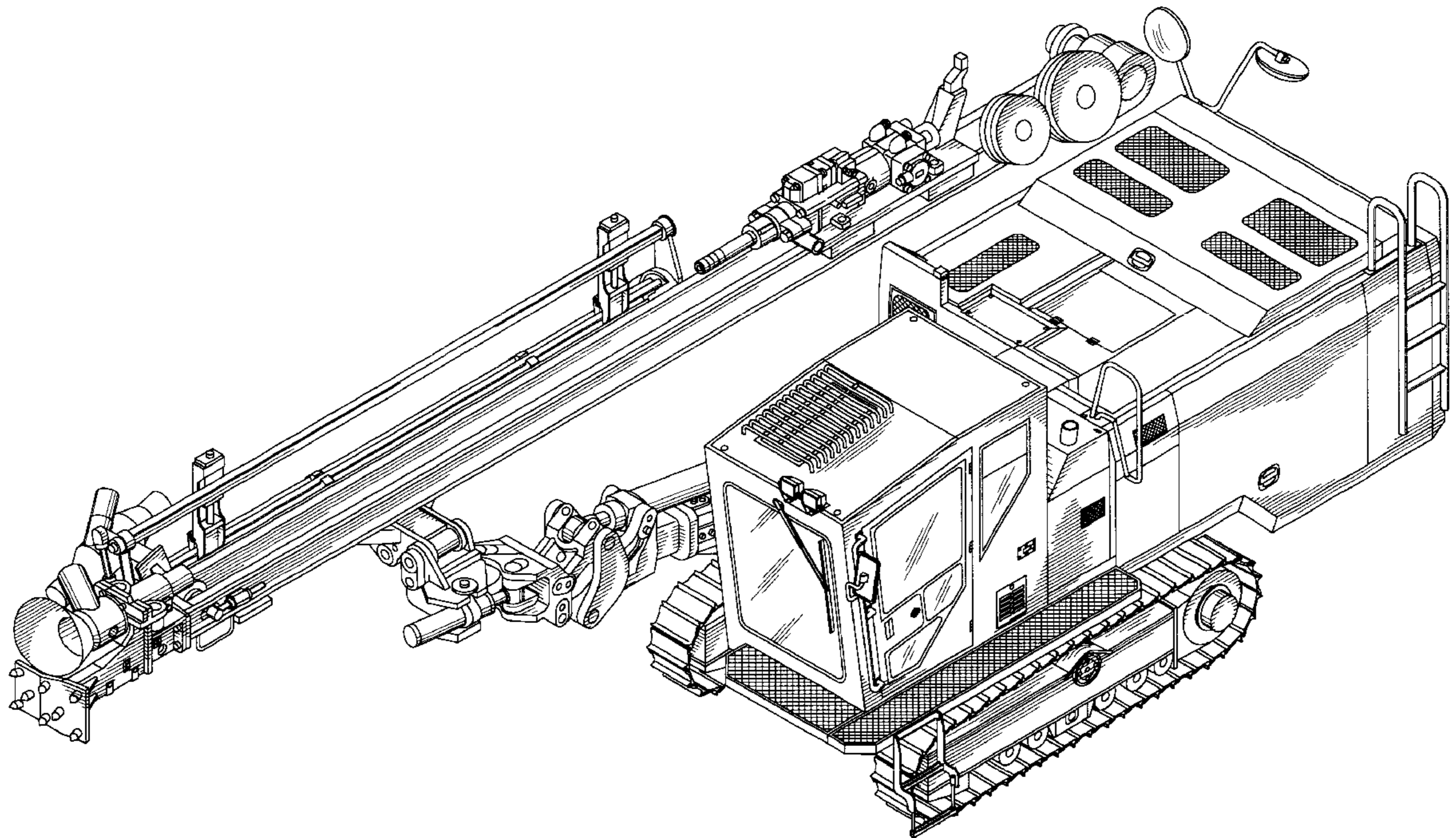


FIG. 1

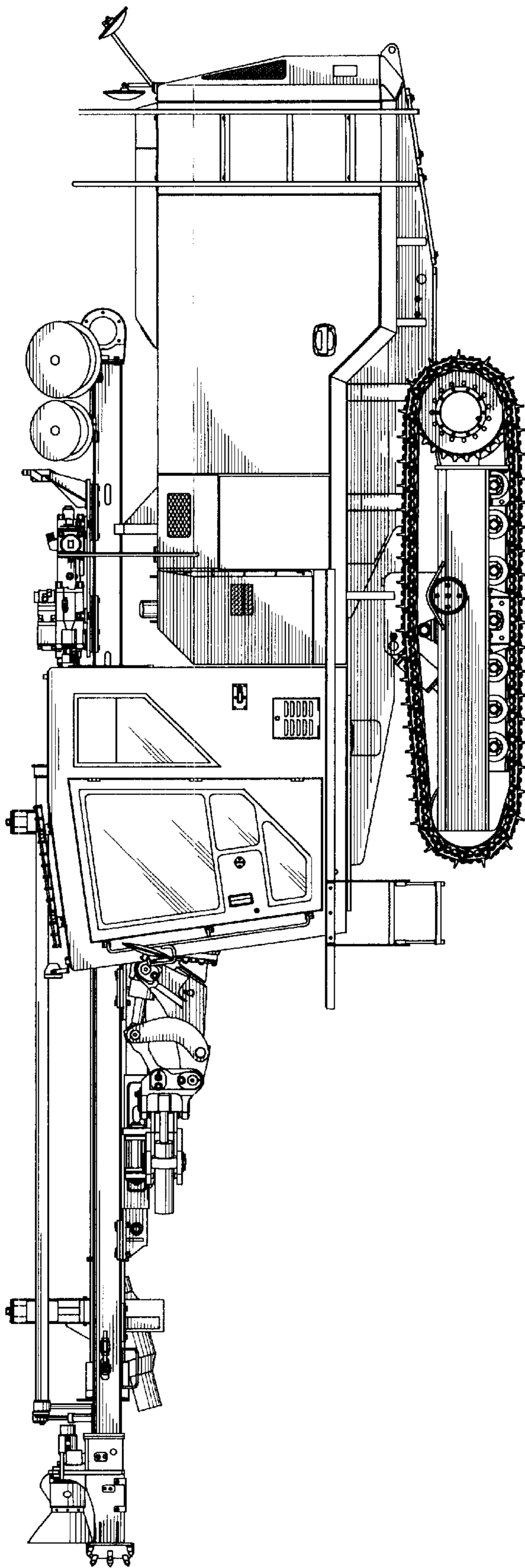


FIG. 2

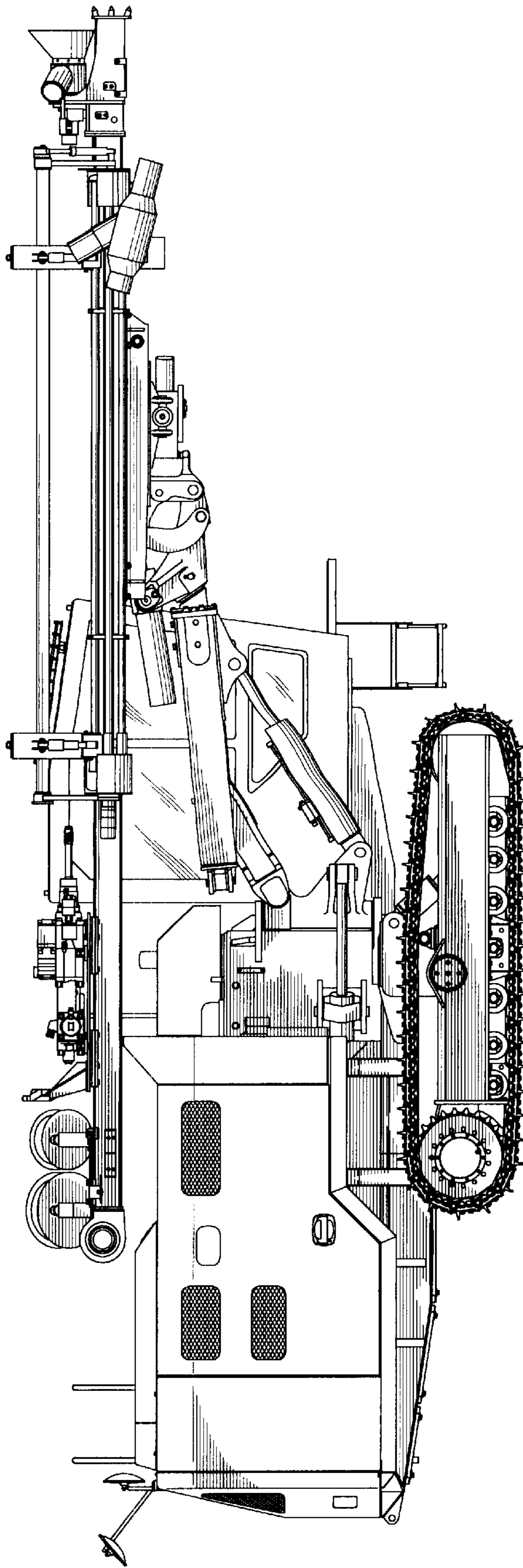


FIG. 3

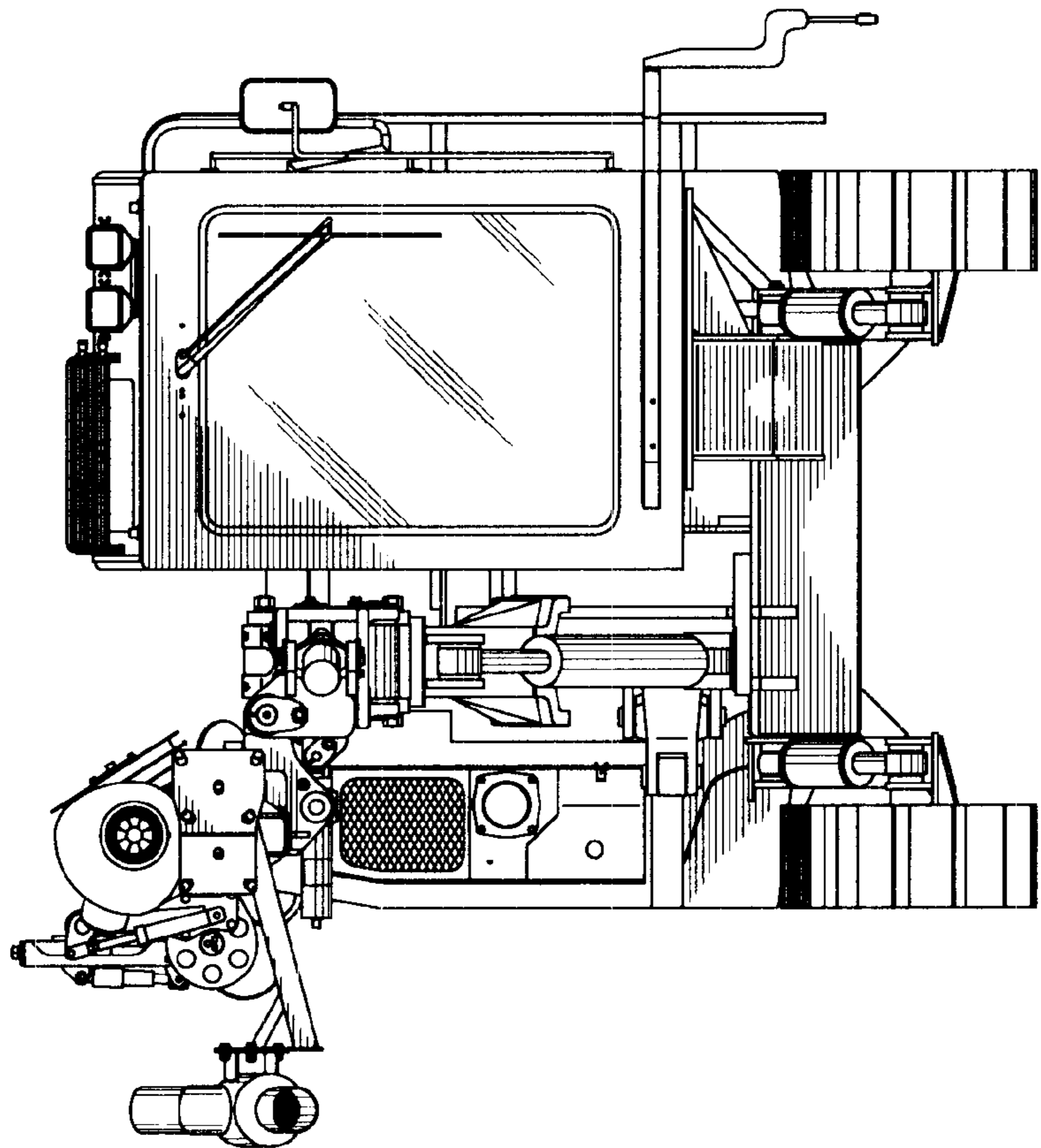


FIG. 4

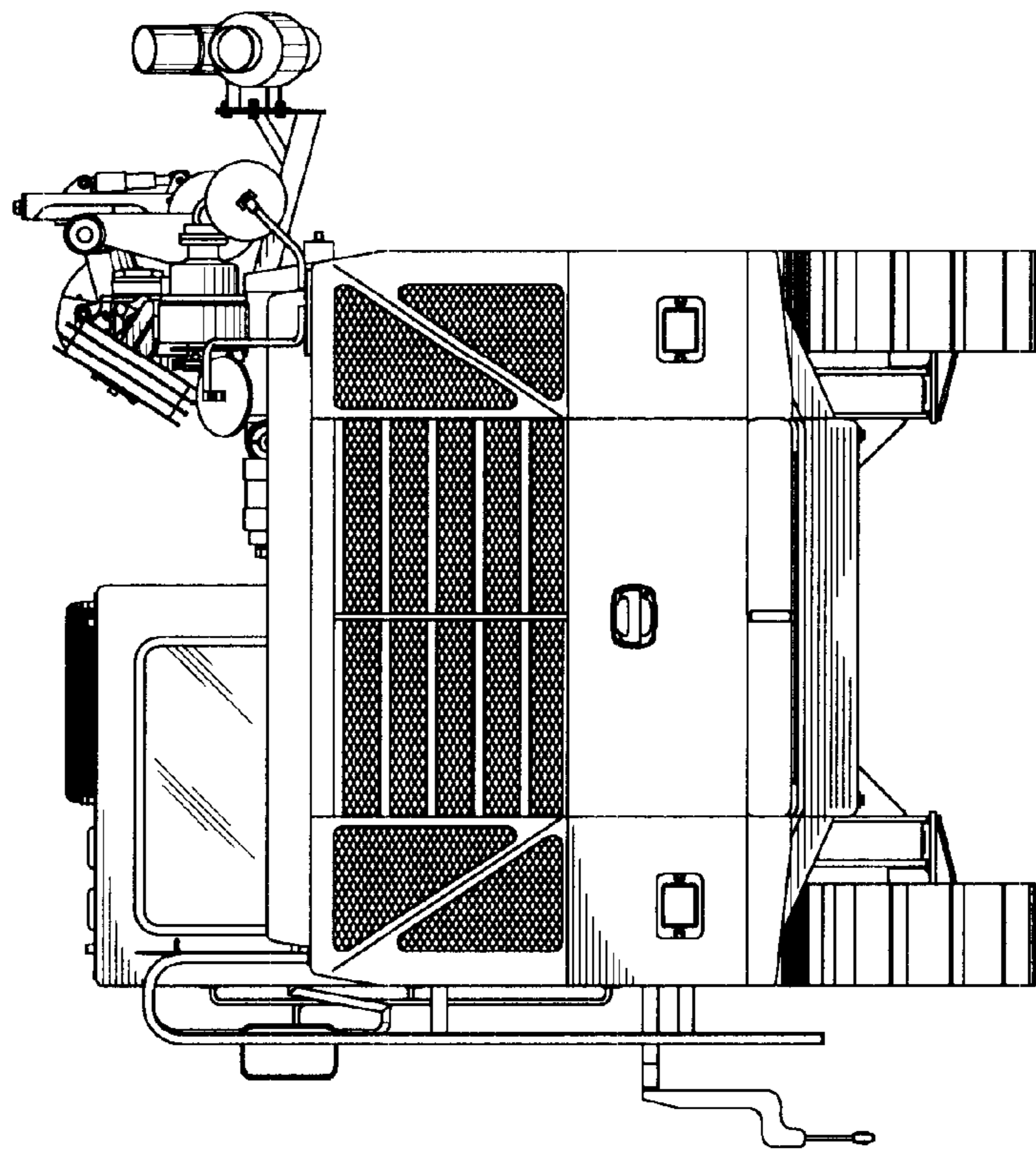


FIG. 5

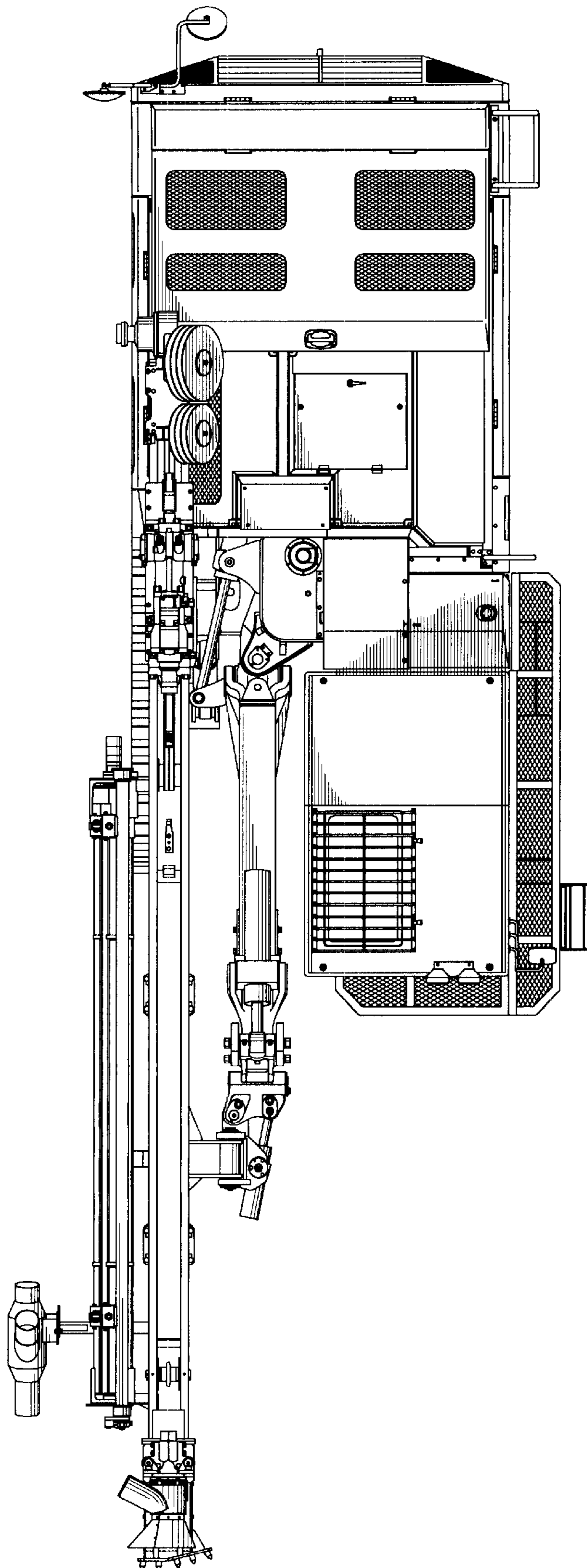


FIG. 6

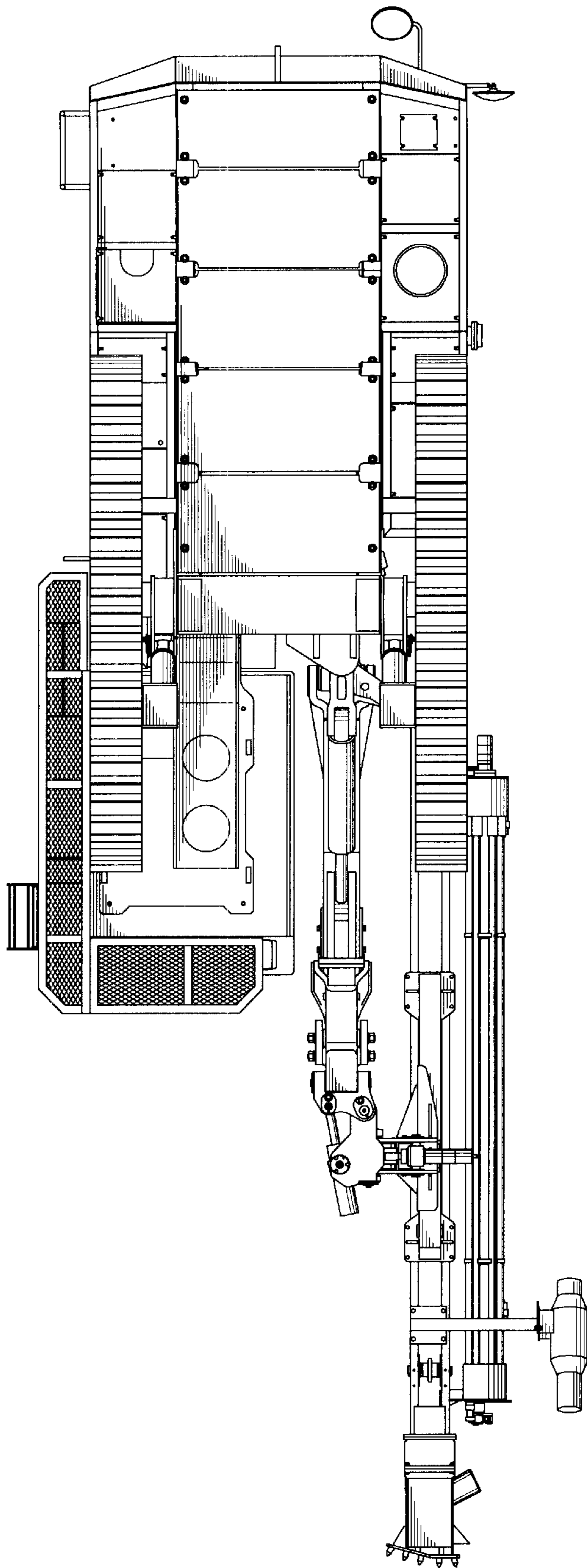


FIG. 7

