



US00D453020S

(12) **United States Design Patent**  
**Matsuoka**

(10) **Patent No.:** **US D453,020 S**

(45) **Date of Patent:** **\*\* Jan. 22, 2002**

(54) **COMPUTER**

(75) Inventor: **Shoichiro Matsuoka**, Tokyo (JP)

(73) Assignee: **Sony Corporation**, Tokyo (JP)

(\*\*) Term: **14 Years**

(21) Appl. No.: **29/135,267**

(22) Filed: **Jan. 10, 2001**

(51) **LOC (7) Cl.** ..... **14-02**

(52) **U.S. Cl.** ..... **D14/349**

(58) **Field of Search** ..... D14/348, 349,  
D14/351-354, 356, 361, 363; D13/162,  
184, 199; 312/223.1-223.3; 360/99.12;  
361/690-696

(56) **References Cited**

**U.S. PATENT DOCUMENTS**

D349,890 S	*	8/1994	Kabumoto	.....	D14/368
D390,202 S		2/1998	Goto	.....	D14/349
D401,573 S	*	11/1998	Goto	.....	D14/308
D433,681 S	*	11/2000	Jean et al.	.....	D14/349

**OTHER PUBLICATIONS**

Catalog "VaioR3 Series" 3 sheets, Sony Corporation, Jun., 1999.

Home page [www.vaio.sony.co.jp](http://www.vaio.sony.co.jp), 3 sheets, Sony Corporation, 2000.

\* cited by examiner

*Primary Examiner*—Freda Nunn

(74) *Attorney, Agent, or Firm*—Rader, Fishman & Grauer, PLLC

(57) **CLAIM**

The ornamental design for a computer, as shown and described.

**DESCRIPTION**

FIG. 1 is a perspective view of a computer showing my new design;

FIG. 2 is a front elevational view thereof;

FIG. 3 is a rear elevational view thereof;

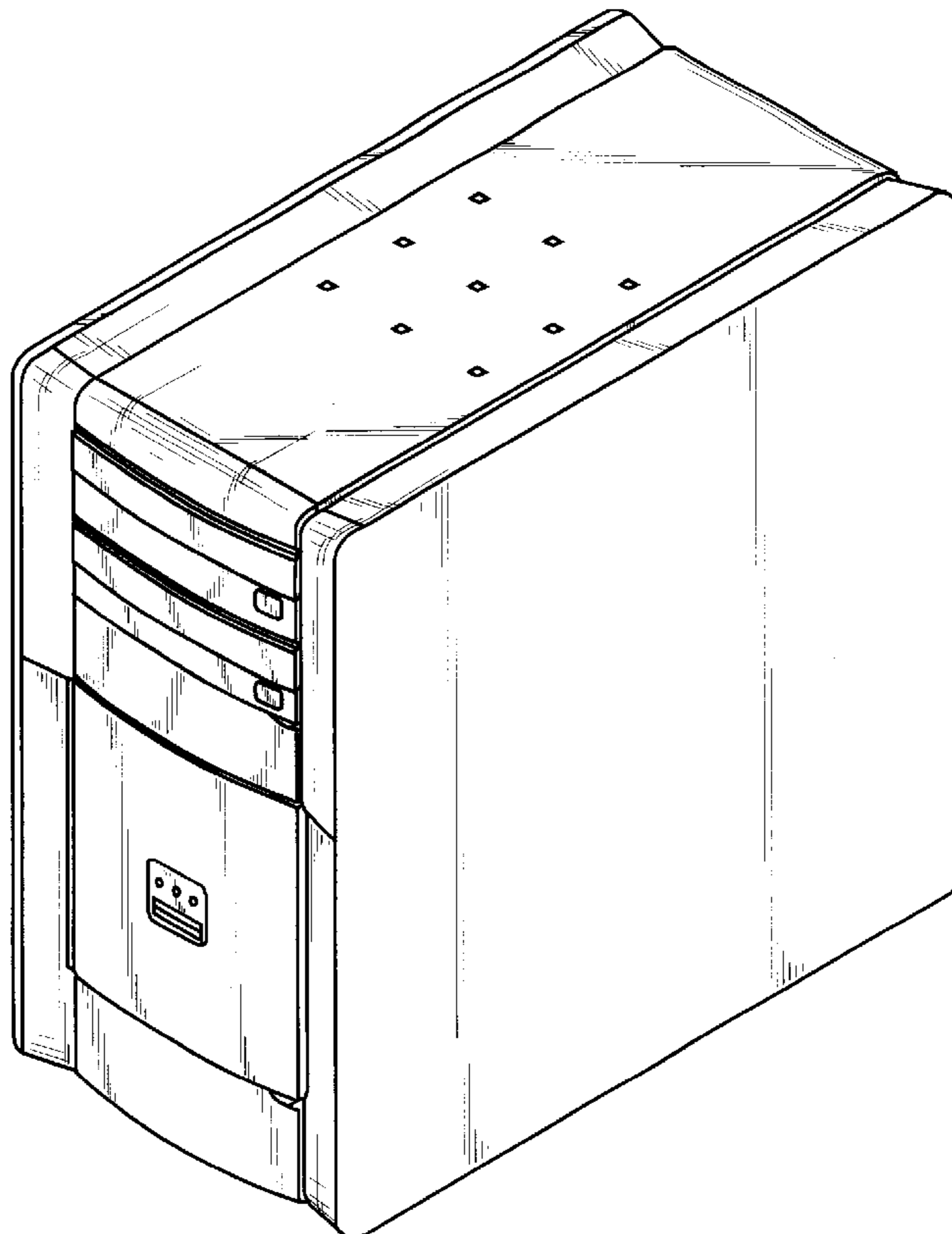
FIG. 4 is a left side elevational view thereof;

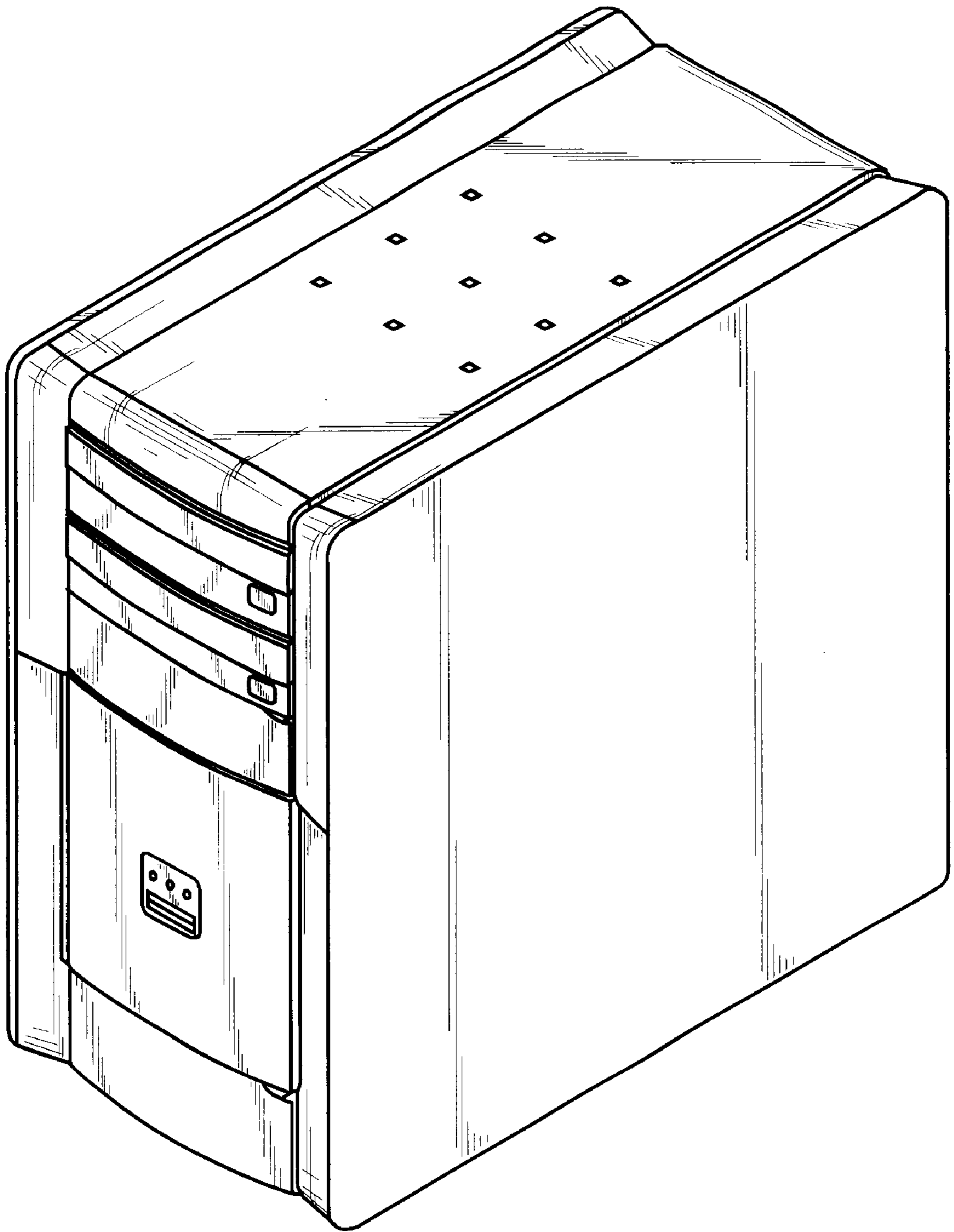
FIG. 5 is a right side elevational view thereof;

FIG. 6 is a top plan view thereof; and,

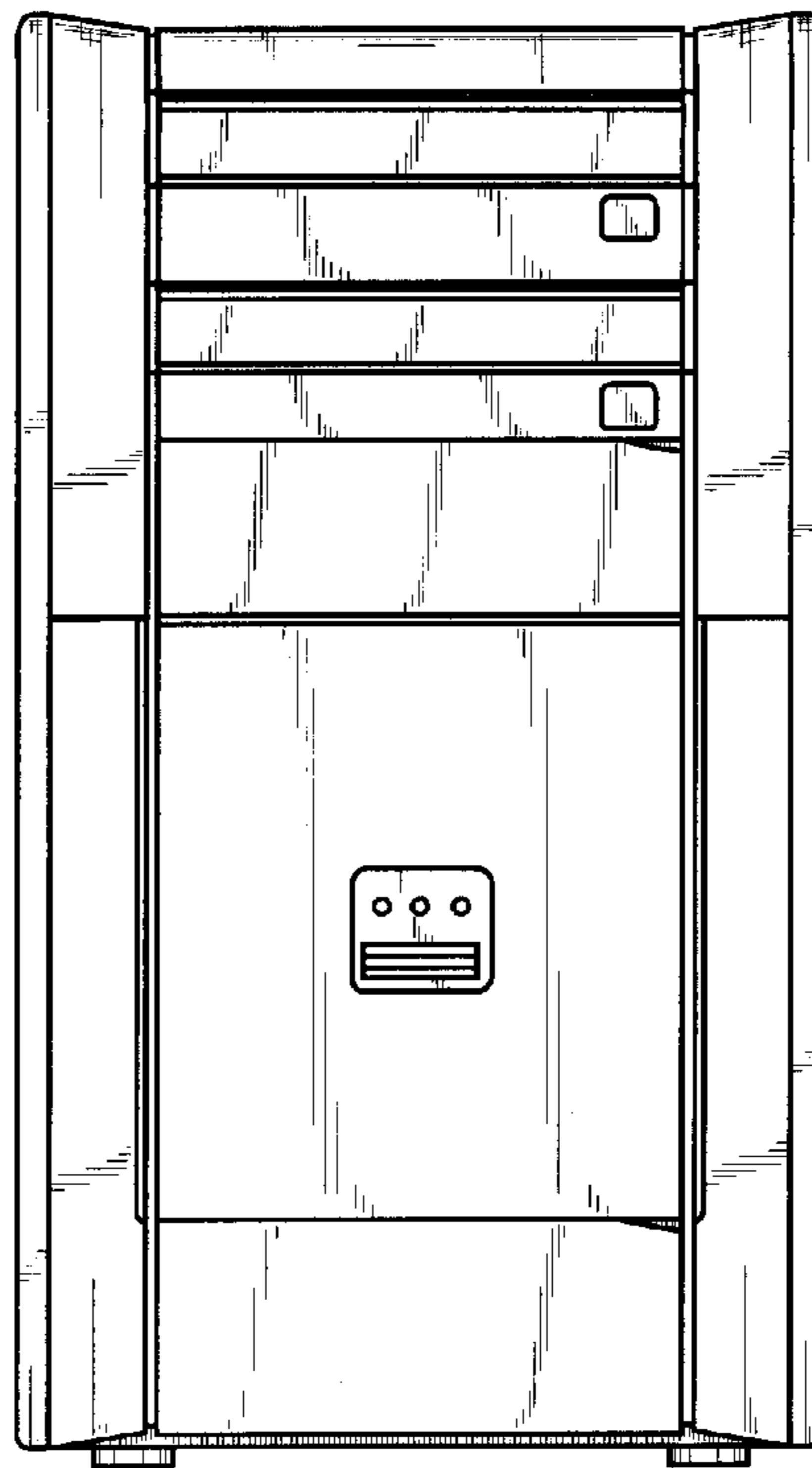
FIG. 7 is a bottom plan view thereof.

**1 Claim, 4 Drawing Sheets**

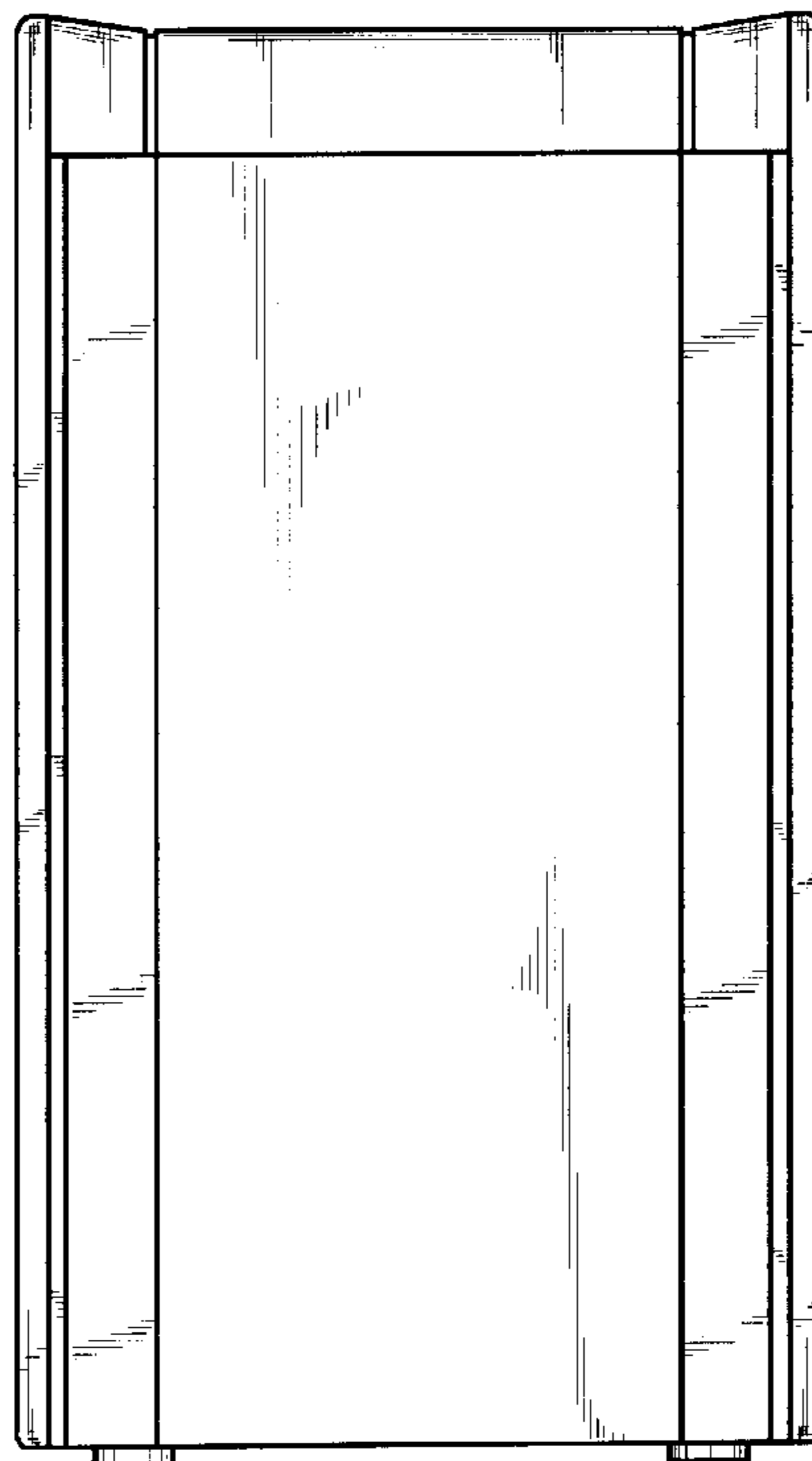




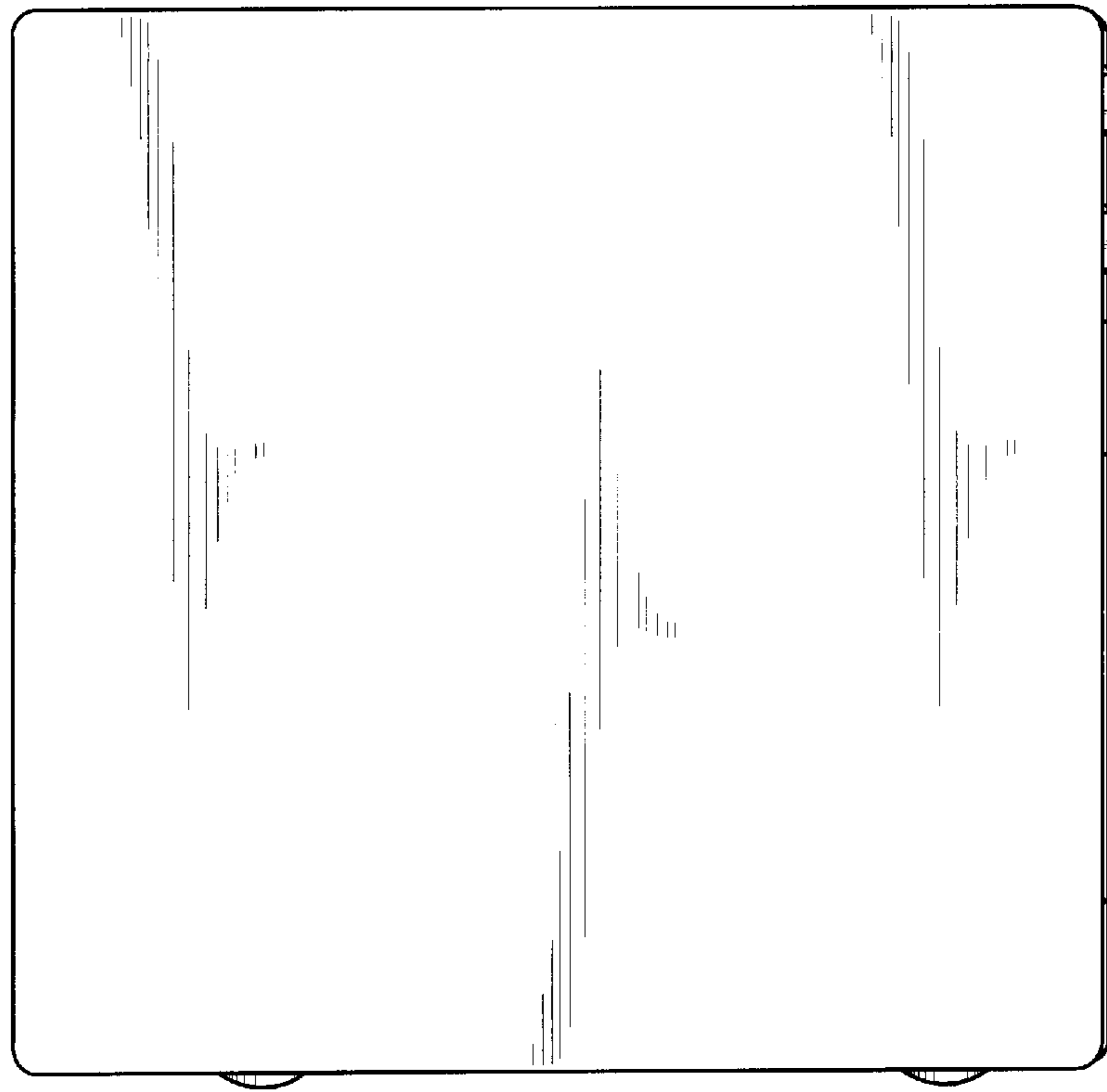
**Fig. 1**



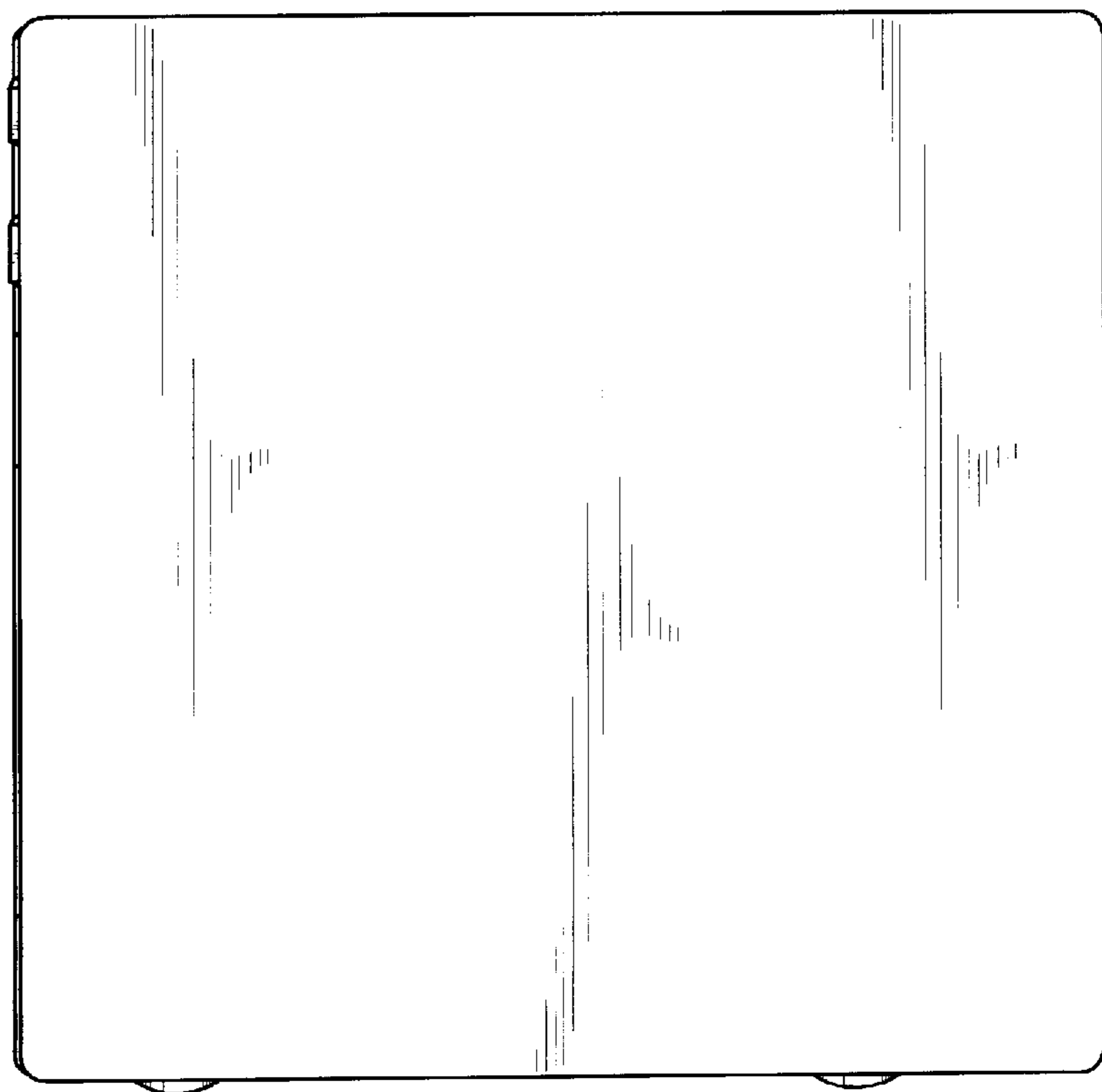
**Fig. 2**



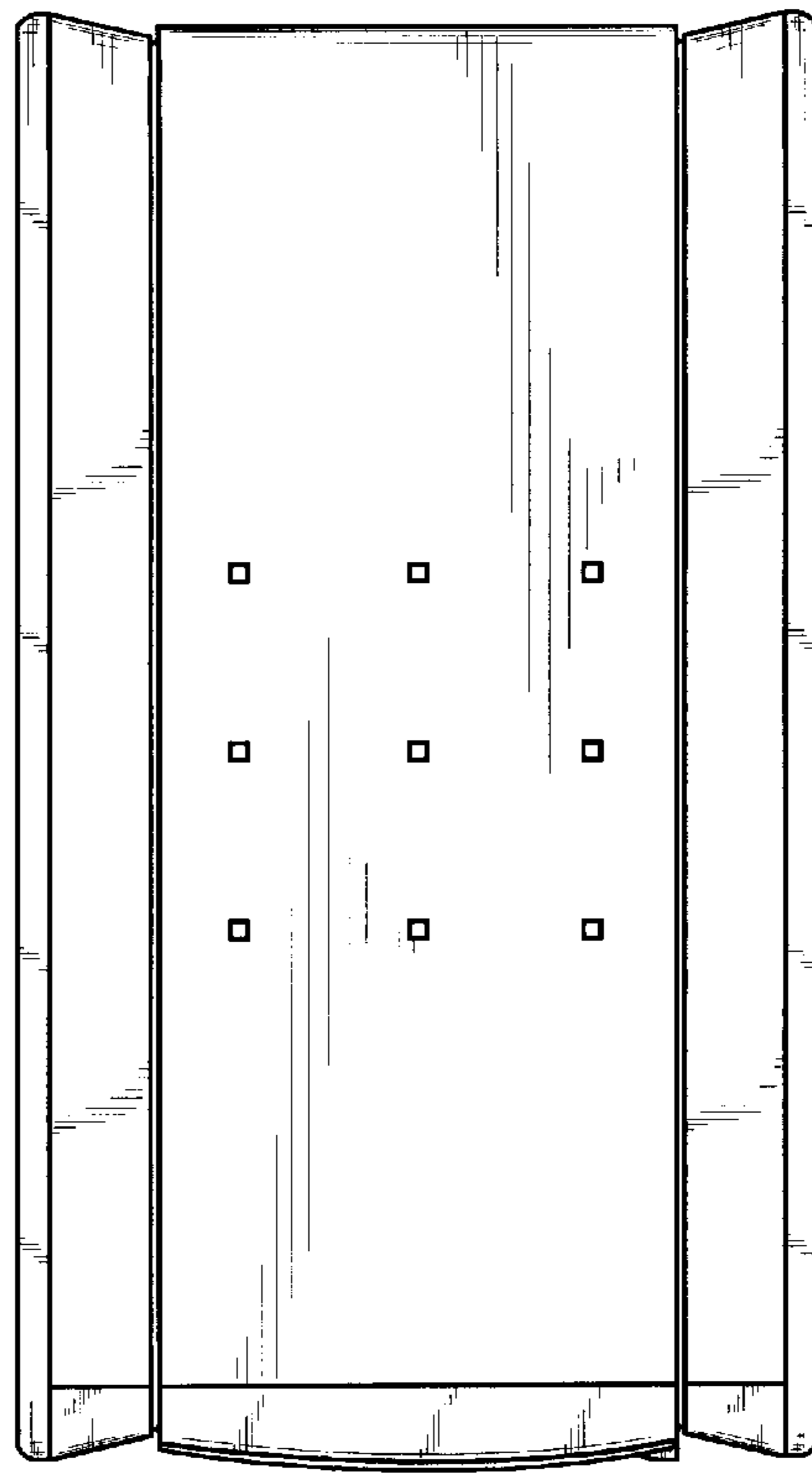
**Fig. 3**



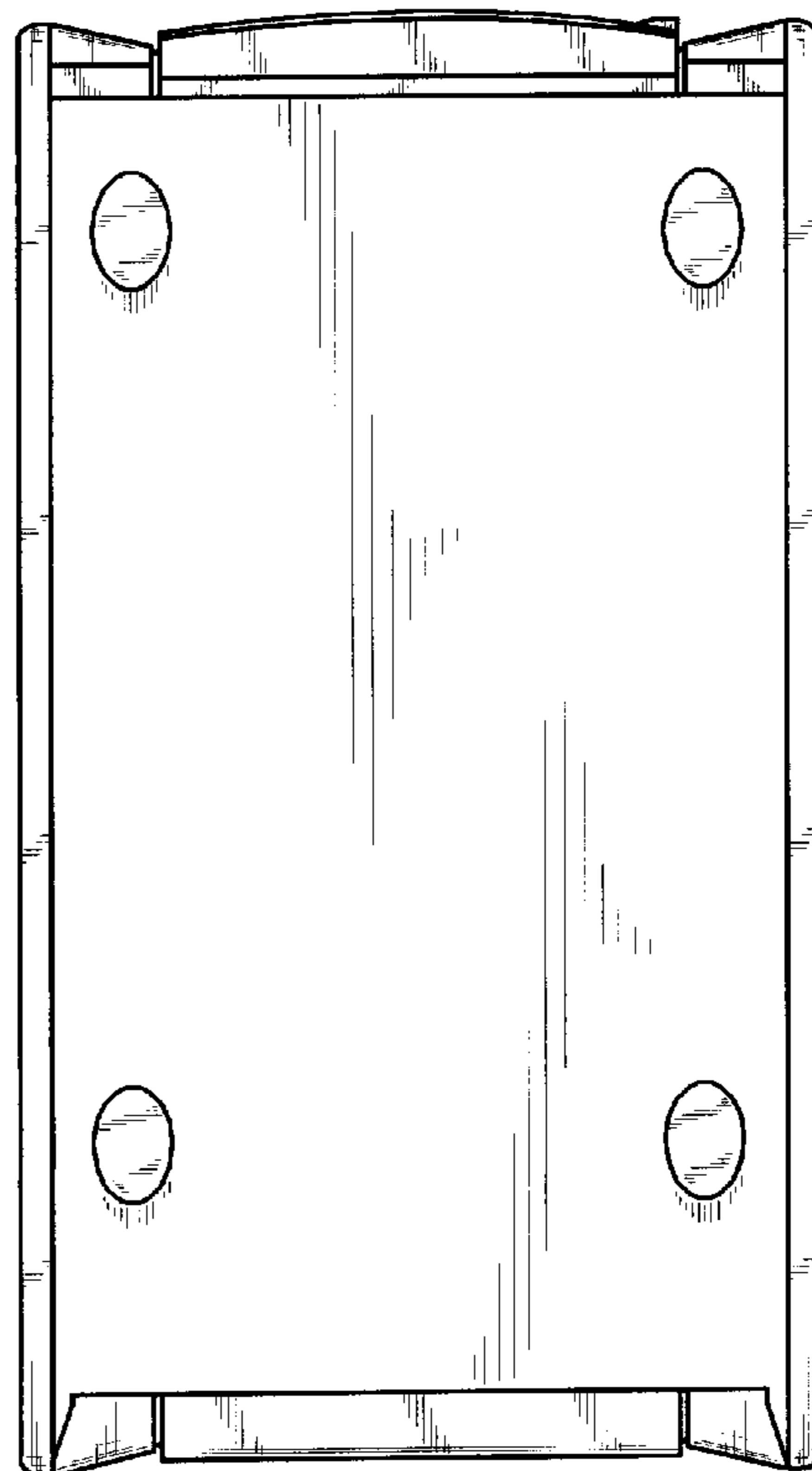
**Fig. 4**



**Fig. 5**



**Fig. 6**



**Fig. 7**