



US00D453018S

(12) **United States Design Patent**
Ma et al.

(10) **Patent No.:** **US D453,018 S**

(45) **Date of Patent:** **** Jan. 22, 2002**

(54) **PORTABLE COMPUTER**

(75) Inventors: **Chih-Peng Ma; Ming-Hsun Chou,**
both of Taipei (TW)

(73) Assignee: **Compal Electronics Inc.,** Taipei (TW)

(**) Term: **14 Years**

(21) Appl. No.: **29/134,668**

(22) Filed: **Dec. 28, 2000**

(51) **LOC (7) Cl.** **14-02**

(52) **U.S. Cl.** **D14/318; D14/327**

(58) **Field of Search** D14/318, 319,
D14/322, 323, 327; D18/1, 2, 7; 235/145 A,
145 R; 341/22, 23; 345/104, 156, 168,
169, 173; 361/680-686; 400/486, 489

(56) **References Cited**

U.S. PATENT DOCUMENTS

D396,220 S 7/1998 Lee D14/318

D408,798 S 4/1999 Lee et al. D14/318

D430,869 S 9/2000 Lee et al. D14/318

D434,757 S 12/2000 Lee et al. D14/318

Primary Examiner—Freda Nunn

(74) *Attorney, Agent, or Firm*—Pillsbury Winthrop LLP

(57) **CLAIM**

The ornamental design for portable computer, as shown and described.

DESCRIPTION

FIG. 1 is a perspective view of portable computer showing my new design;

FIG. 2 is a front elevational view thereof;

FIG. 3 is a rear elevational view thereof;

FIG. 4 is a left side elevational view thereof;

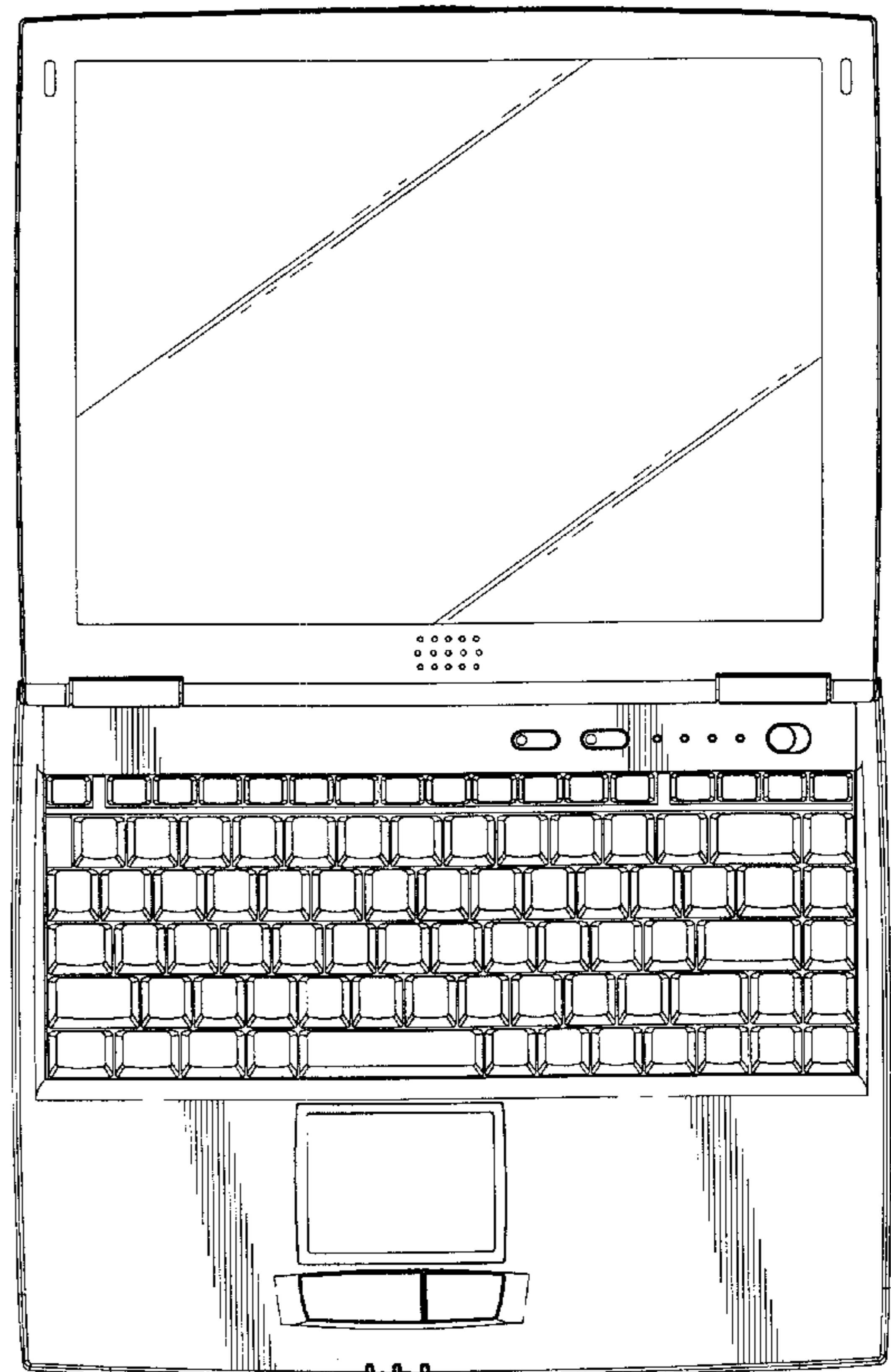
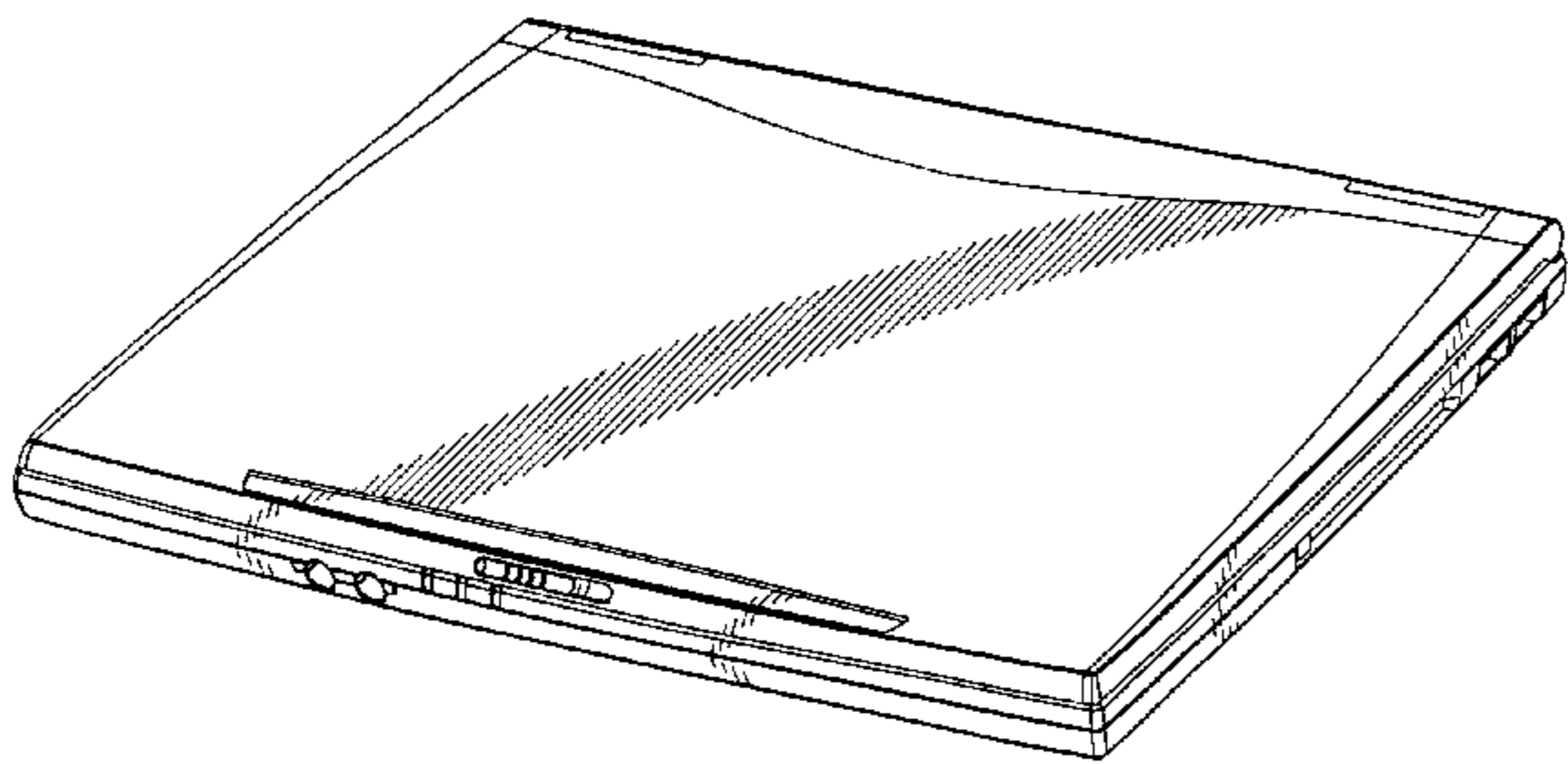
FIG. 5 is a right side elevational view thereof;

FIG. 6 is a top plan view thereof;

FIG. 7 is a bottom plan view thereof; and,

FIG. 8 is another top view thereof shown opened in use.

1 Claim, 4 Drawing Sheets



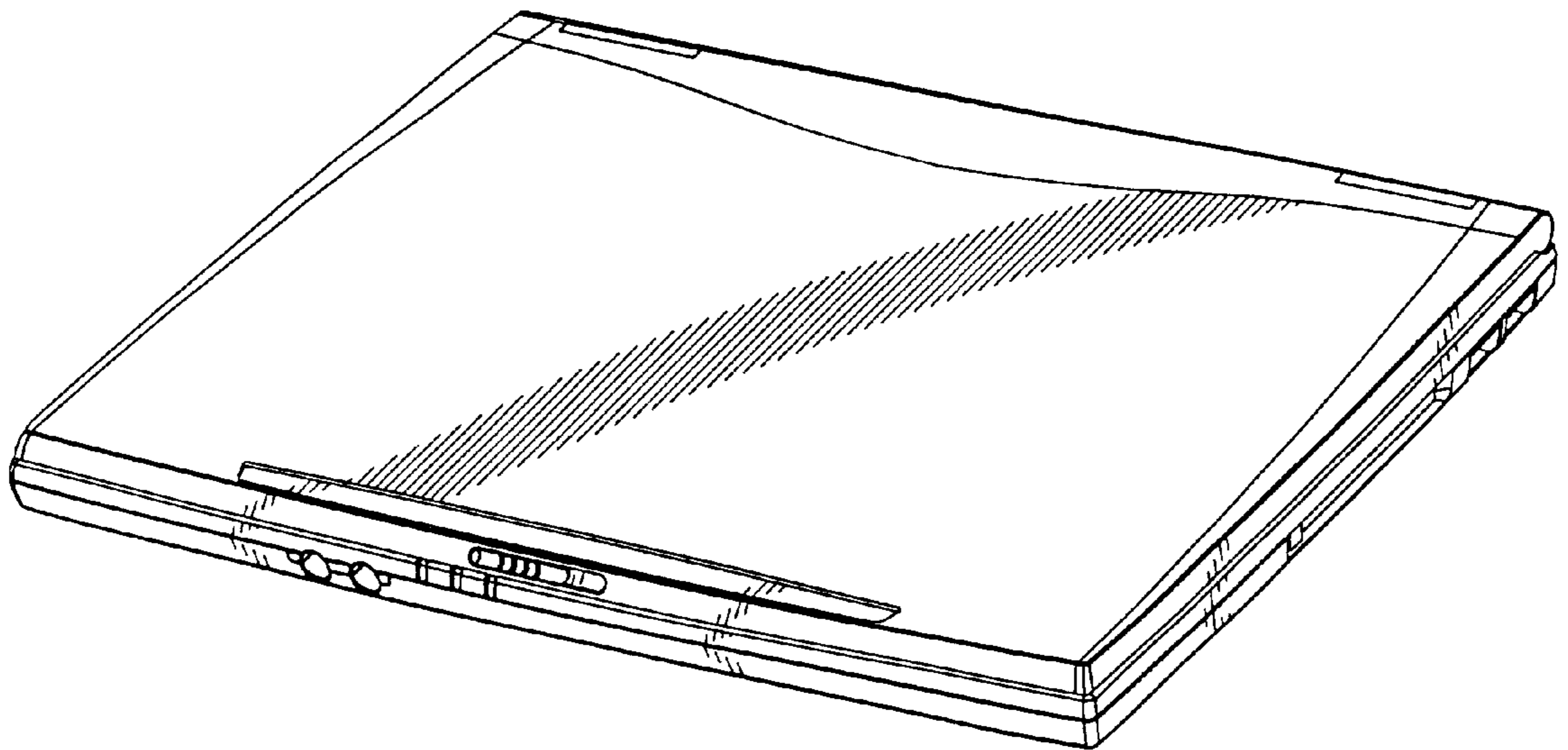


FIG. 1

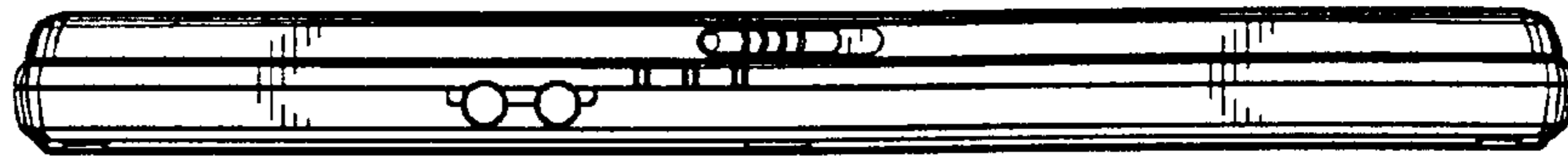


FIG. 2

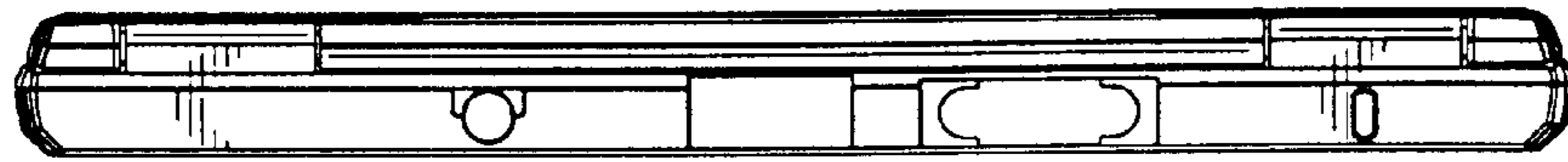


FIG. 3

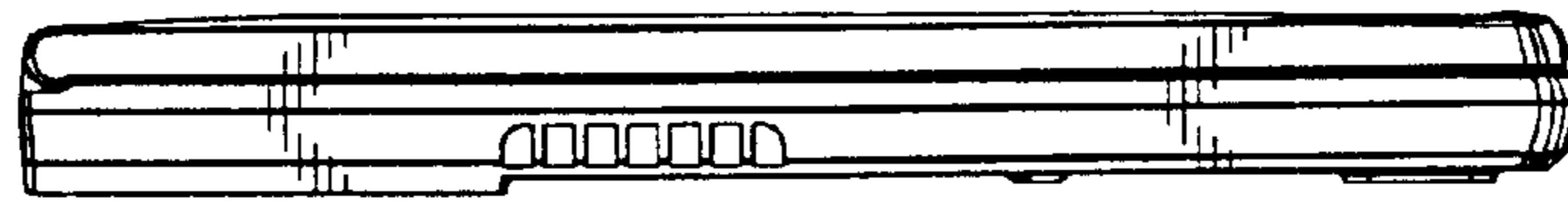


FIG. 4

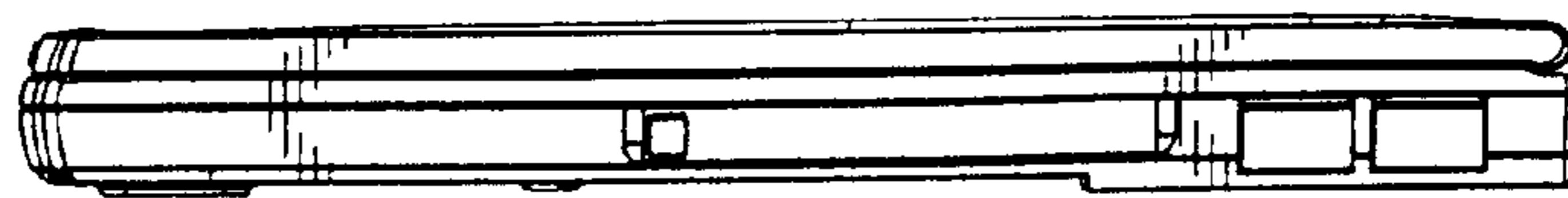


FIG. 5

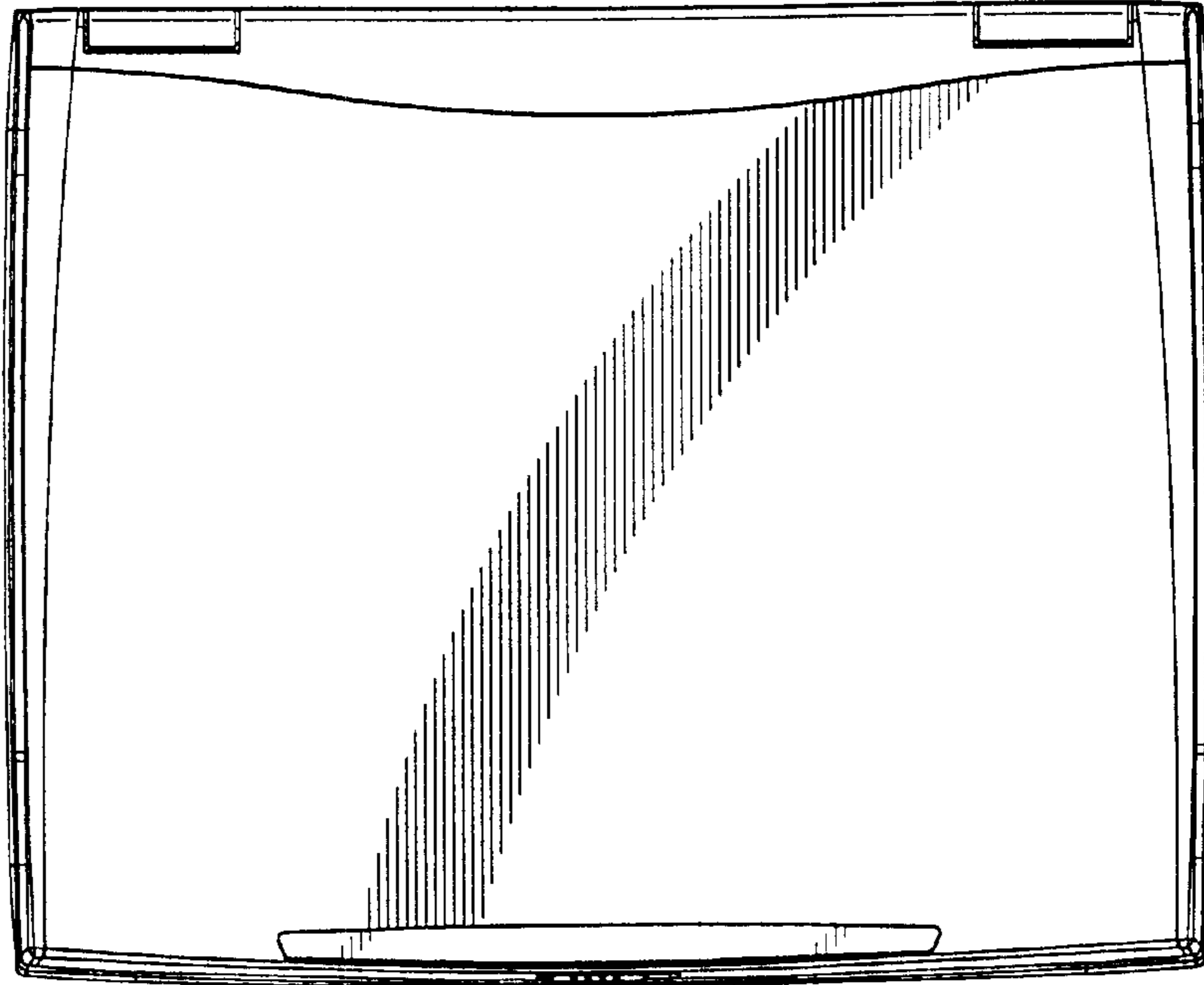


FIG. 6

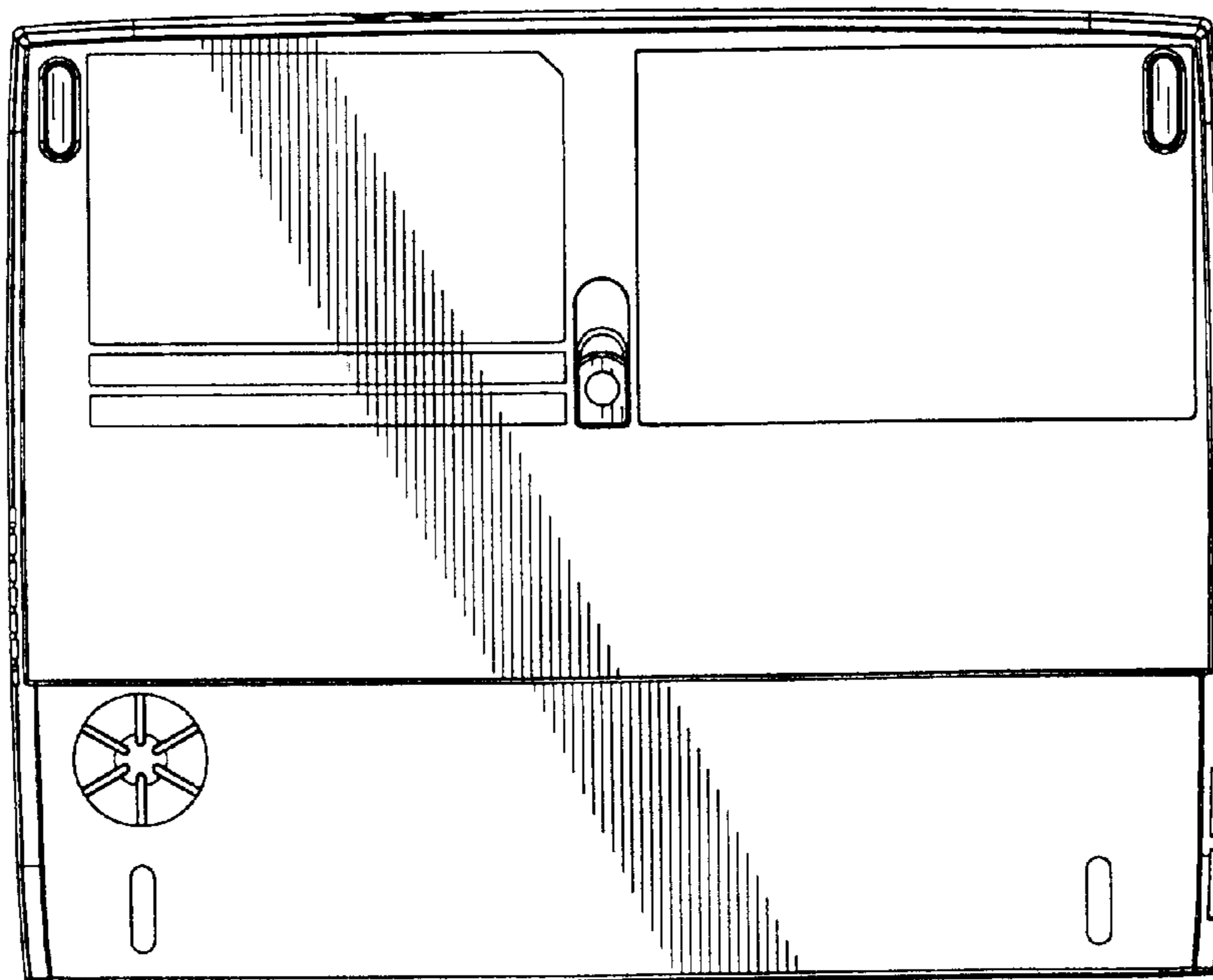


FIG. 7

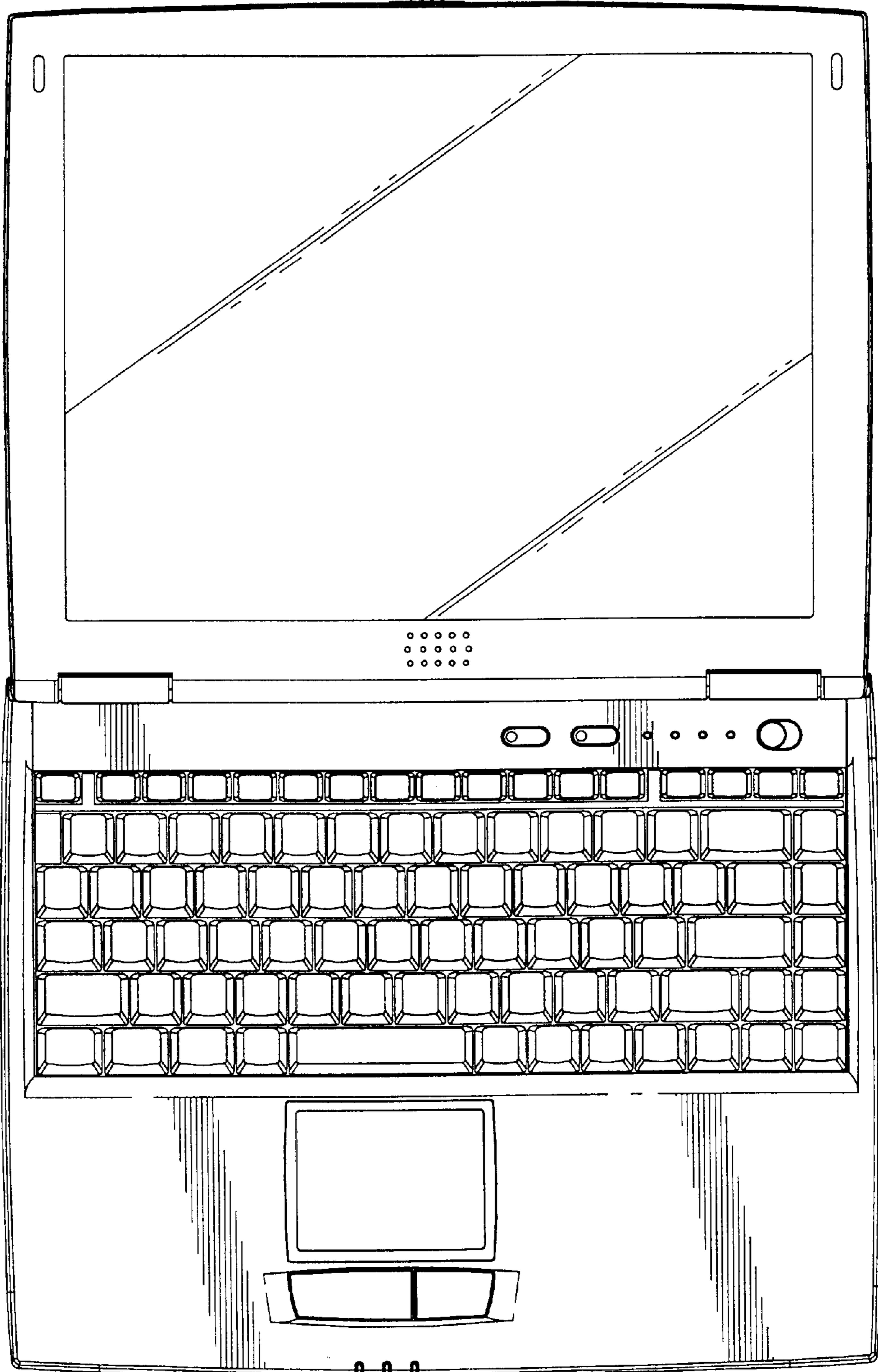


FIG. 8