



US00D453012S

(12) **United States Design Patent**  
**Chen**

(10) **Patent No.:** **US D453,012 S**

(45) **Date of Patent:** **\*\* Jan. 22, 2002**

(54) **WHEEL FRAME**

(75) **Inventor:** **Ting-Hsing Chen, Tainan Hsien (TW)**

(73) **Assignee:** **Far Great Plastics Industrial Co., Ltd., Tainan Hsien (TW)**

(\*\*) **Term:** **14 Years**

(21) **Appl. No.:** **29/118,997**

(22) **Filed:** **Feb. 23, 2000**

(51) **LOC (7) Cl.** ..... **12-16**

(52) **U.S. Cl.** ..... **D12/209**

(58) **Field of Search** ..... **D12/204-211, D12/133; 301/37.1, 64.1, 65**

(56) **References Cited**

**U.S. PATENT DOCUMENTS**

D197,841 S	*	3/1964	Deaver	.....	D12/209
D206,709 S	*	1/1967	Reid	.....	D12/209
D302,264 S	*	7/1989	Soederberg	.....	D12/209
D359,938 S	*	7/1995	Chien	.....	D12/209
D359,939 S	*	7/1995	Chien	.....	D12/209
D389,112 S	*	1/1998	Chung	.....	D12/209
D391,913 S	*	3/1998	Chung	.....	D12/209

D412,479 S	*	8/1999	Sacco et al.	.....	D12/209
D419,512 S	*	1/2000	Sacco et al.	.....	D12/209
D421,590 S	*	3/2000	Sacco et al.	.....	D12/209
D421,735 S	*	3/2000	Gagnon	.....	D12/209
D432,067 S	*	10/2000	Tsai	.....	D12/209
D436,909 S	*	1/2001	Lotson	.....	D12/209

\* cited by examiner

*Primary Examiner*—Stacia Cadmus

(74) *Attorney, Agent, or Firm*—Rosenberg, Klein & Lee

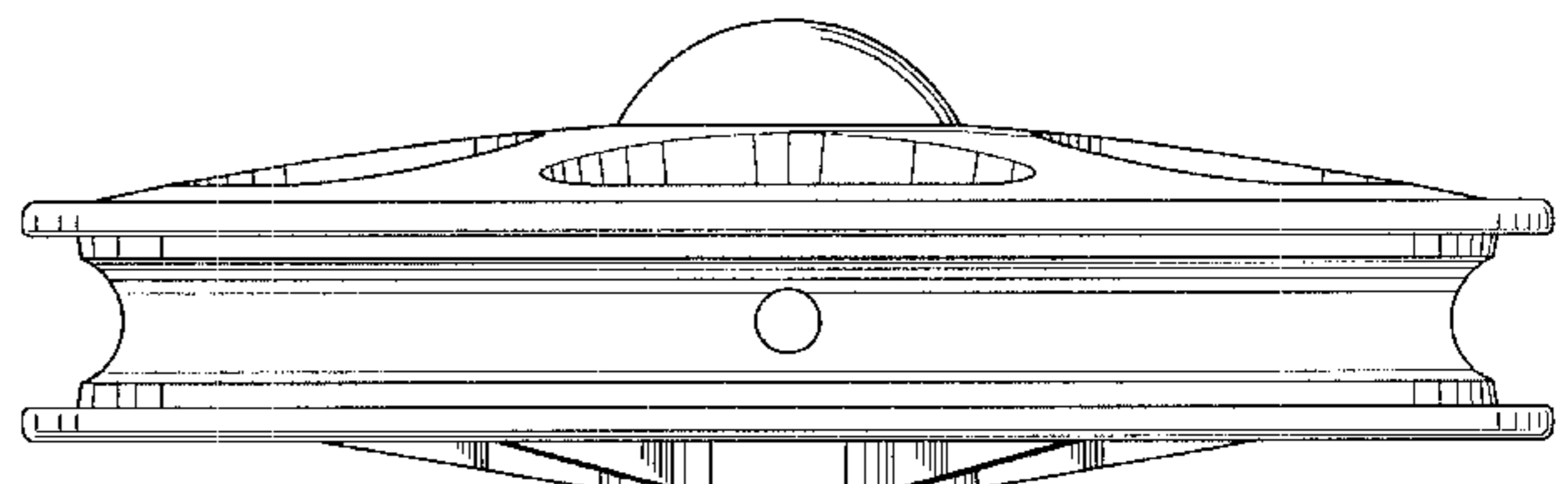
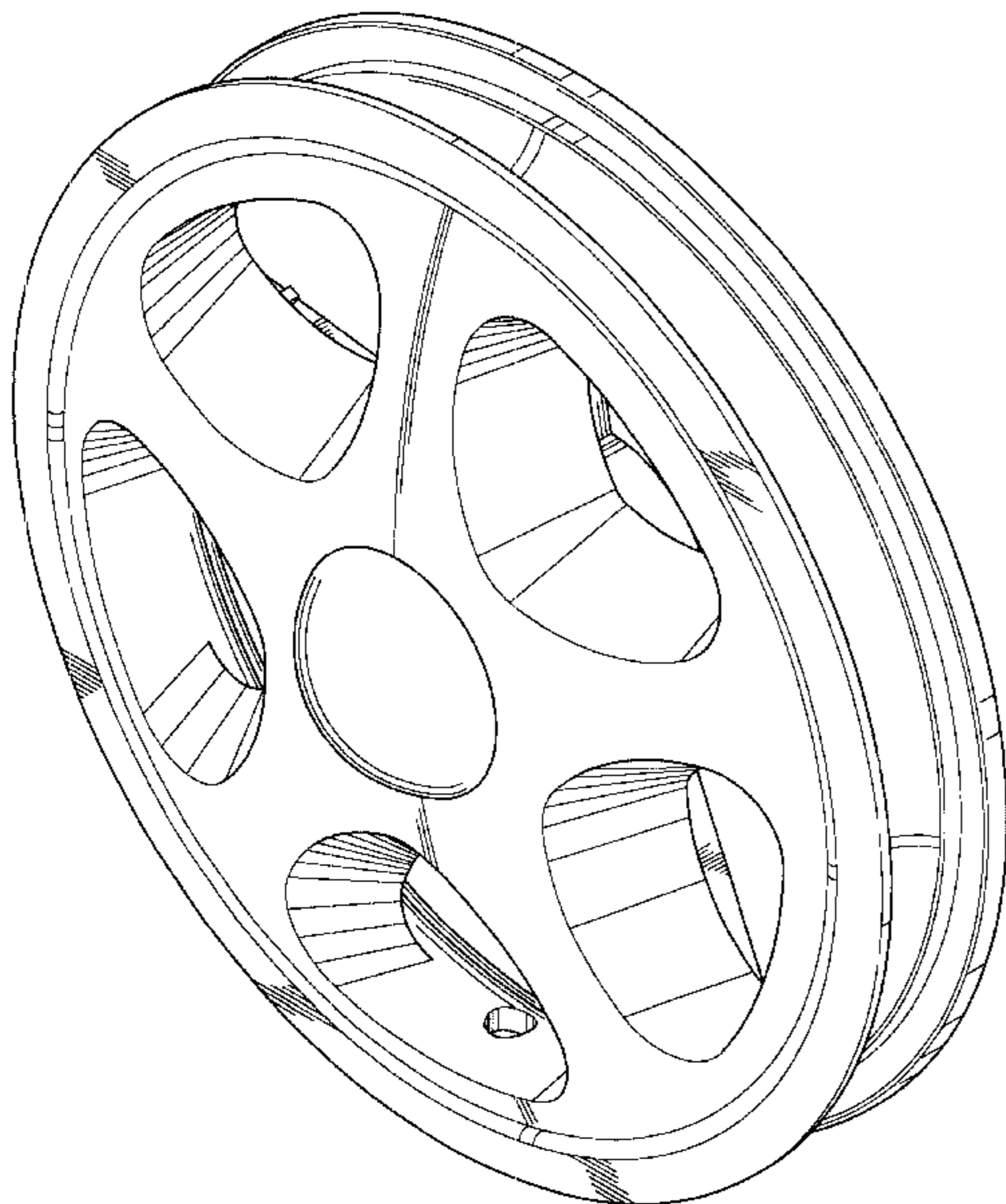
(57) **CLAIM**

The ornamental design for a wheel frame, as shown and described.

**DESCRIPTION**

FIG. 1 is a perspective view of a wheel frame showing my present design;  
 FIG. 2 is a front view thereof;  
 FIG. 3 is a rear view thereof;  
 FIG. 4 is a left view thereof;  
 FIG. 5 is a right view thereof;  
 FIG. 6 is a top plan view thereof; and,  
 FIG. 7 is a bottom plan view.

**1 Claim, 5 Drawing Sheets**



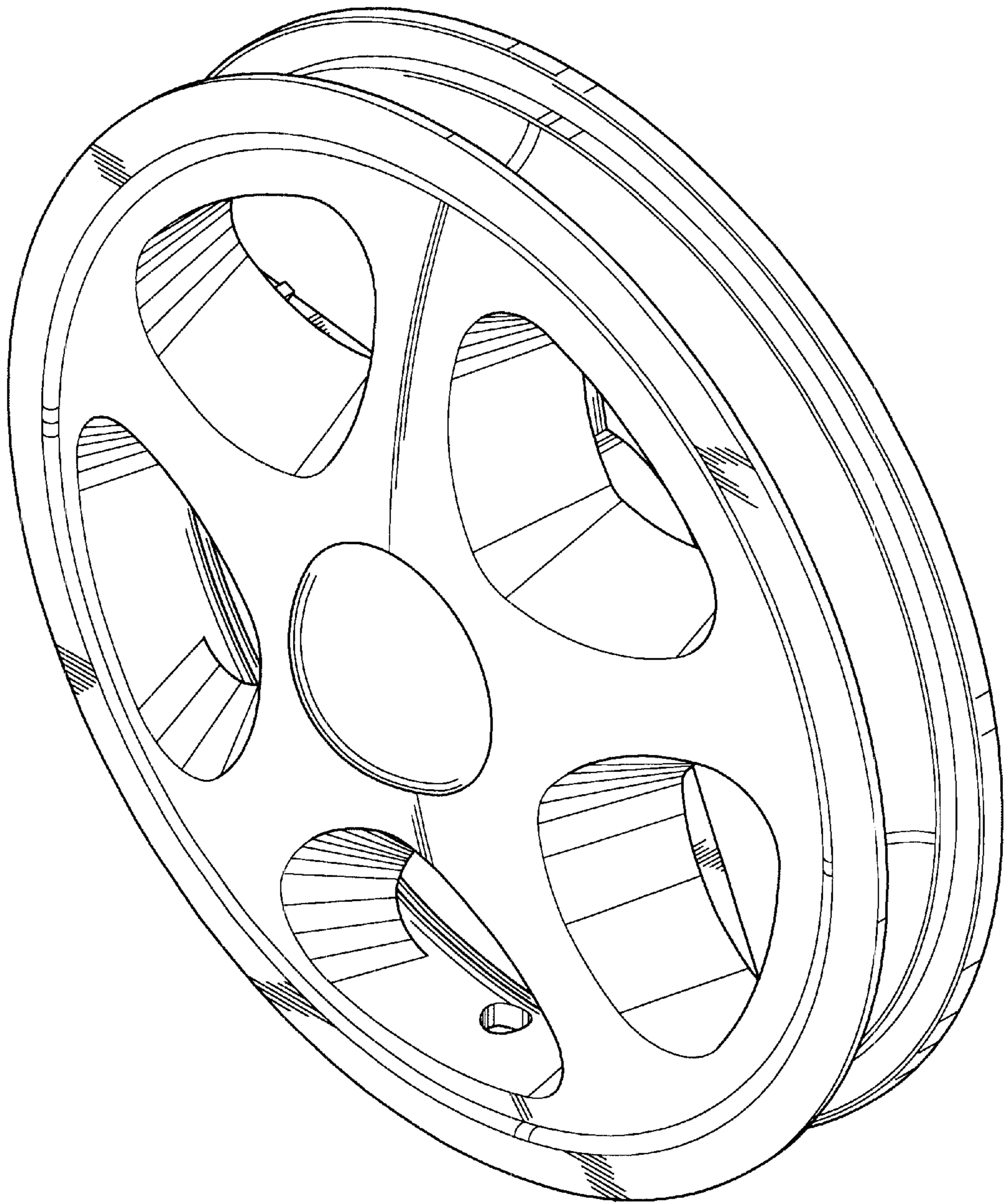


FIG. 1

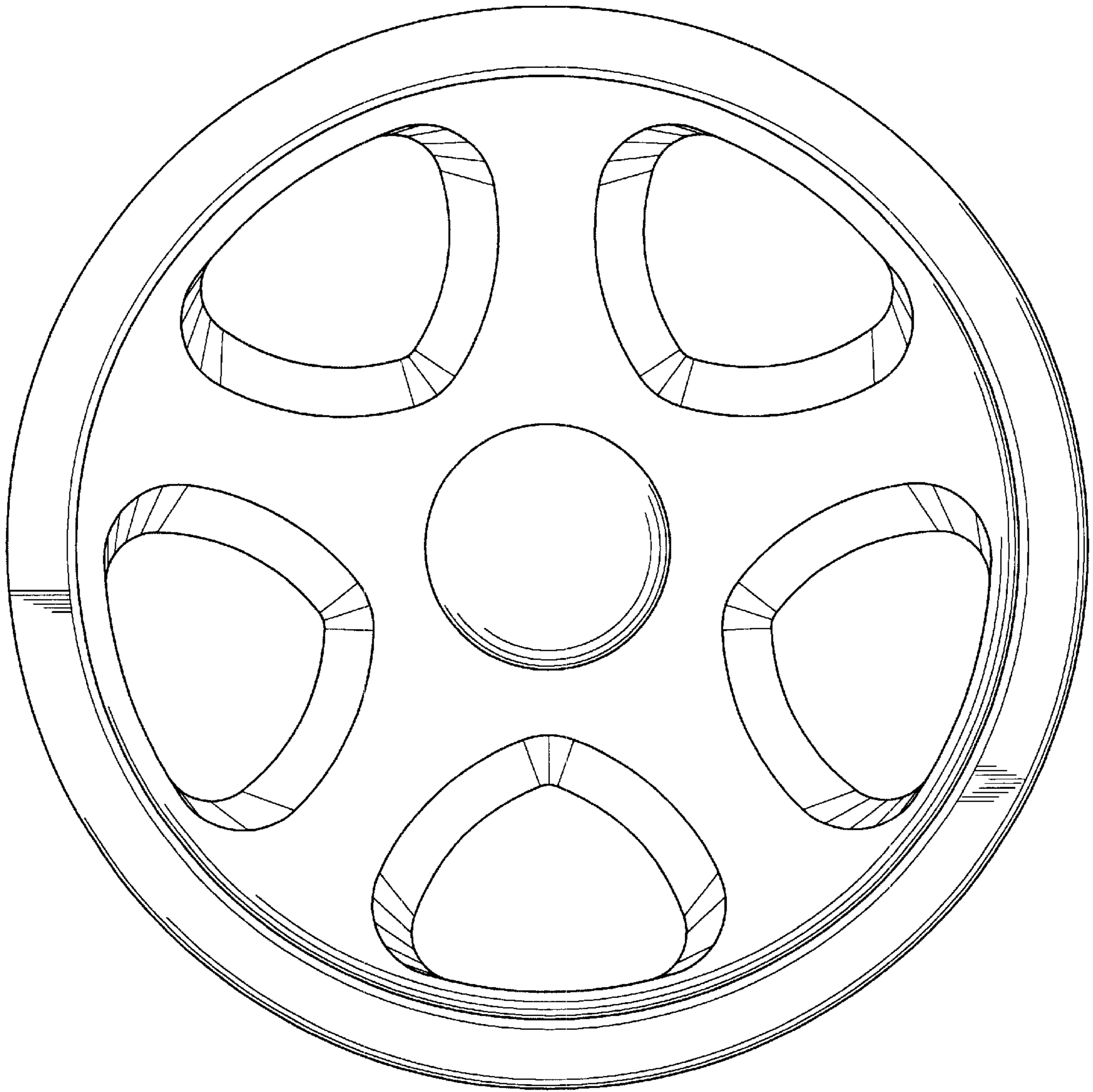


FIG. 2



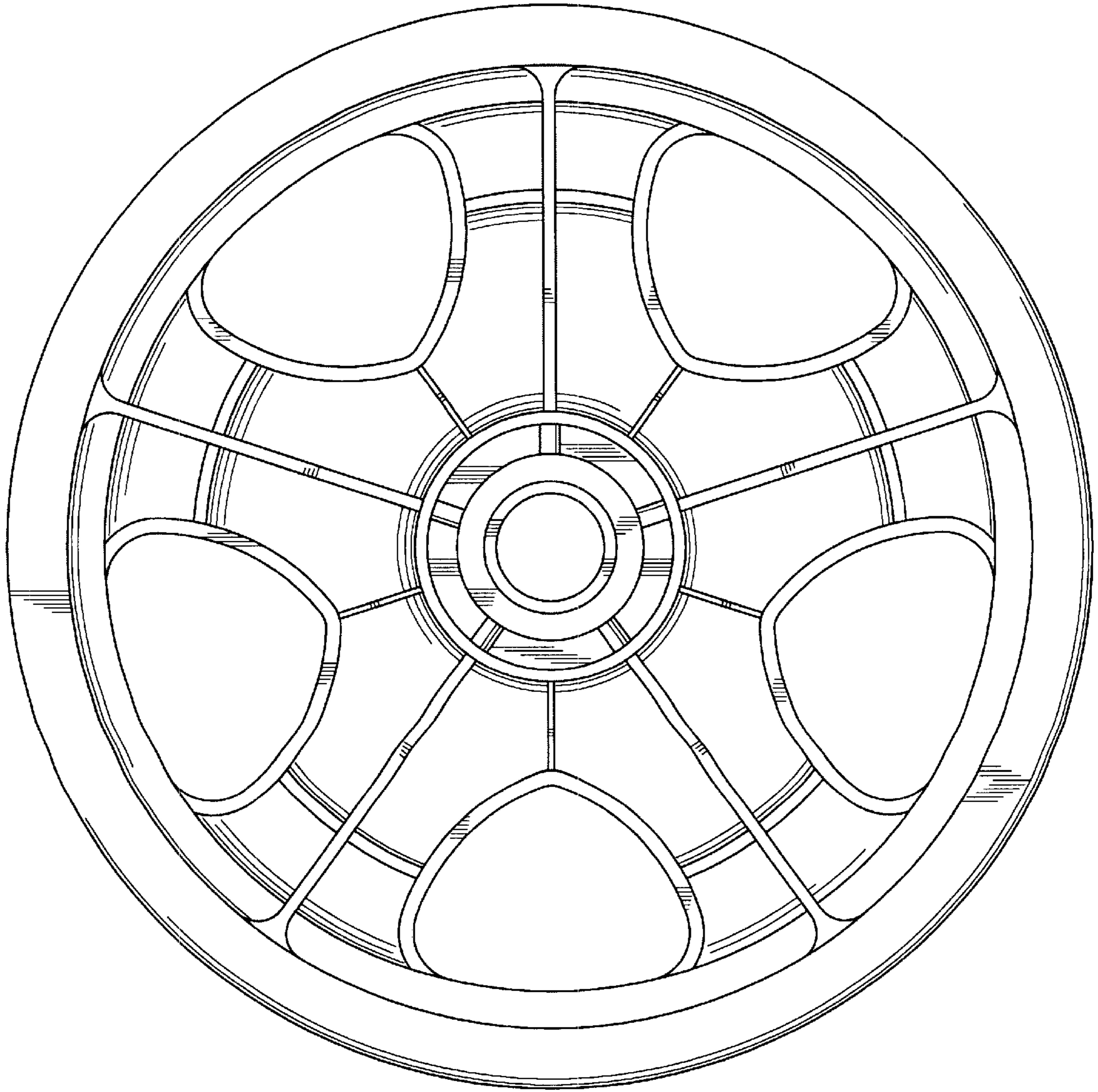


FIG. 3

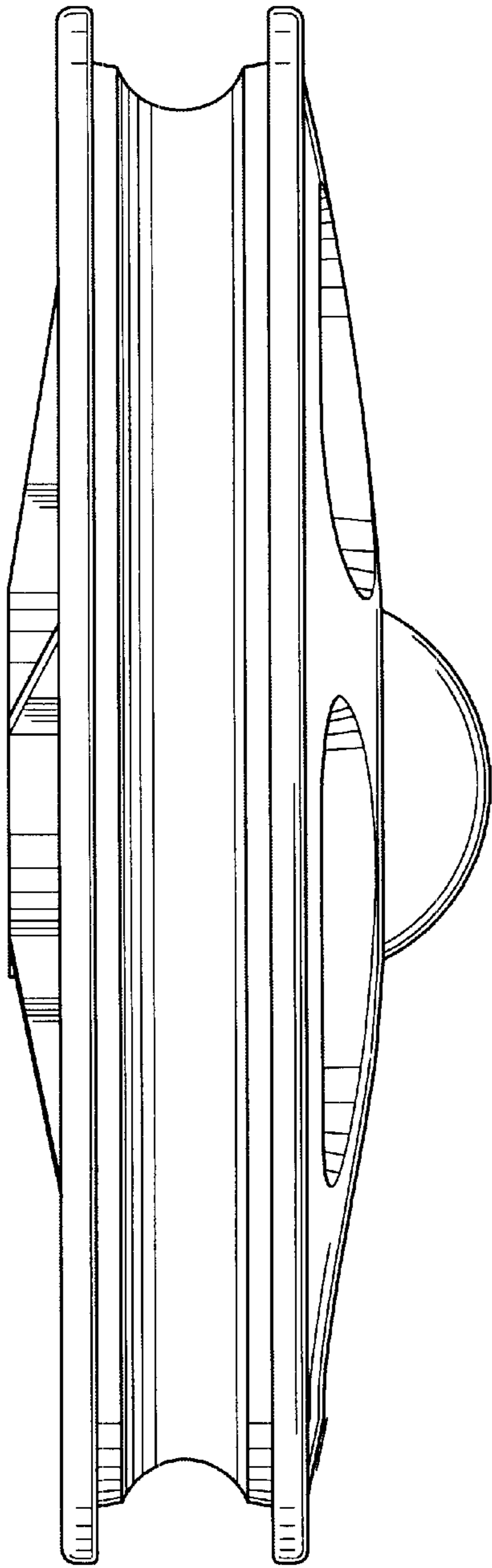


FIG. 4

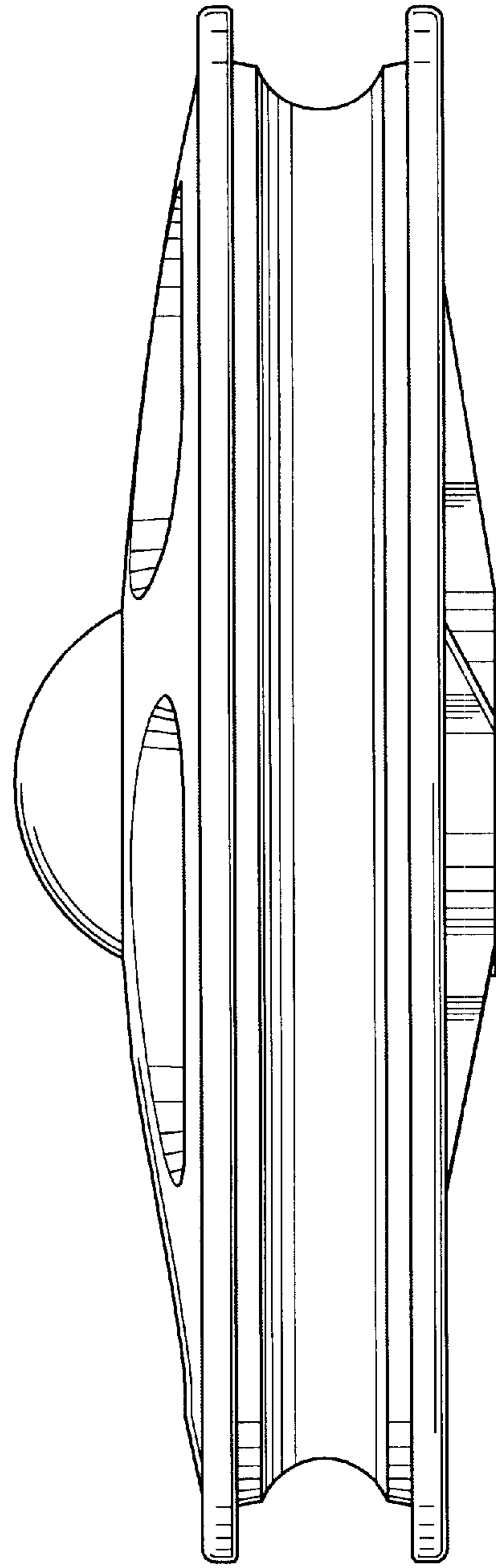


FIG. 5

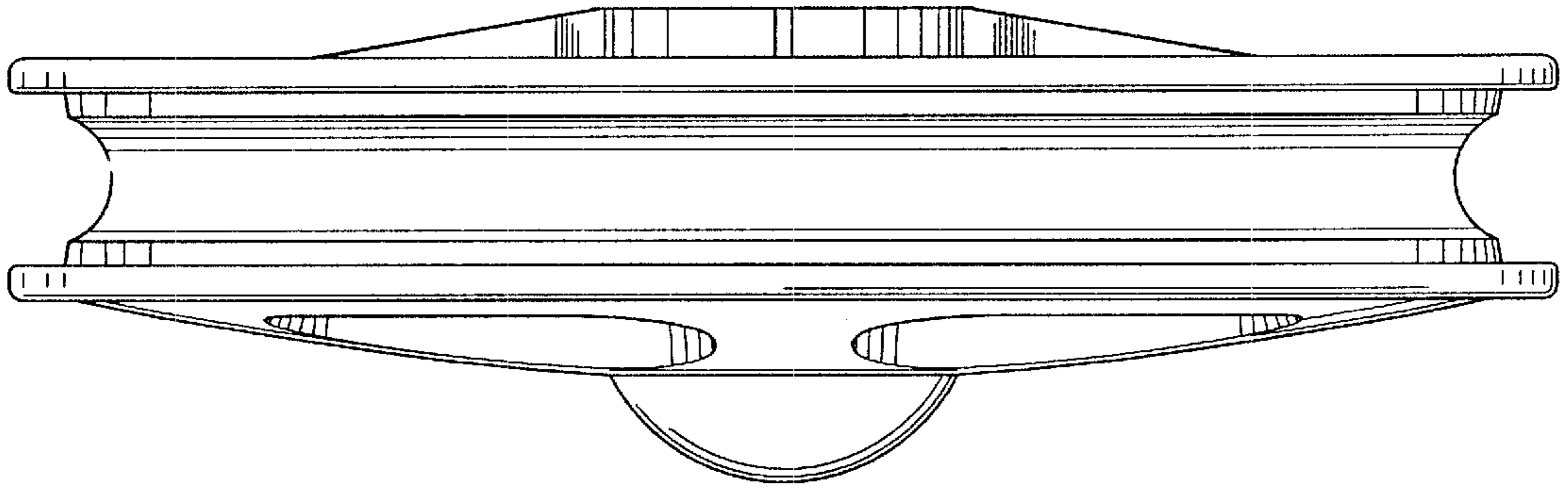


FIG. 6

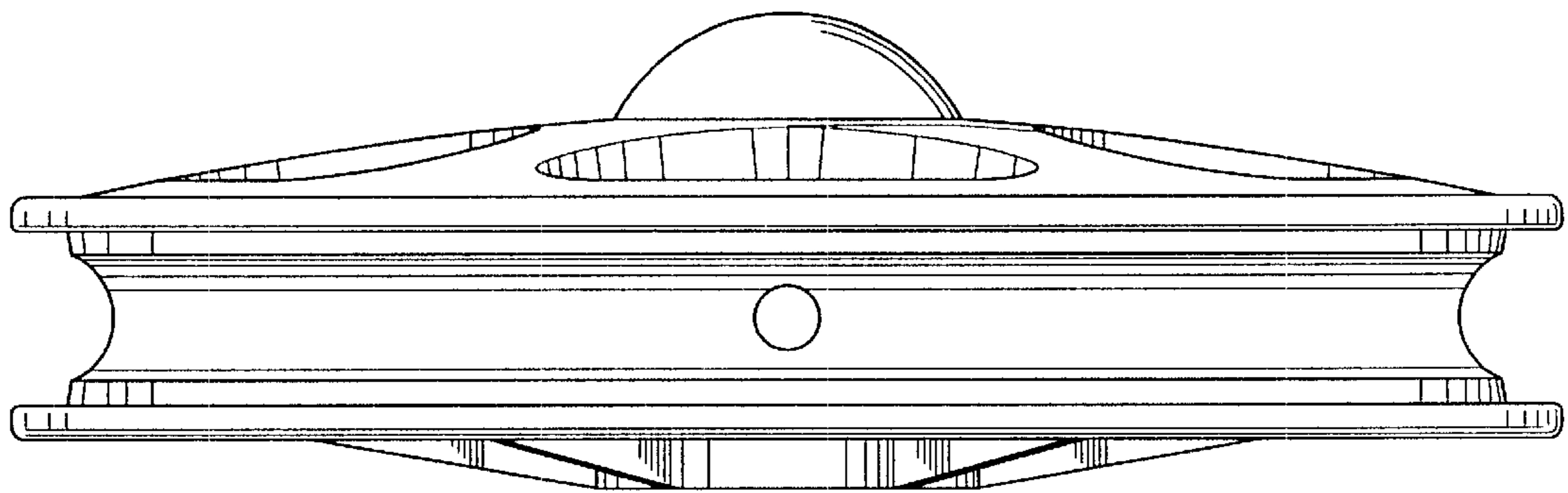


FIG. 7