



US00D453010S

(12) **United States Design Patent**  
**Schweer**

(10) **Patent No.:** **US D453,010 S**  
(45) **Date of Patent:** **\*\* Jan. 22, 2002**

(54) **CONTROLLER**

D430,522 S \* 9/2000 Hsu ..... D12/179

(75) Inventor: **Karl-Heinz Schweer**, Wennigsen (DE)

\* cited by examiner

(73) Assignee: **Rexroth Mecman GmbH**, Hannover (DE)

*Primary Examiner*—Melody N. Brown

(\*\*) Term: **14 Years**

(74) *Attorney, Agent, or Firm*—Cohen, Pontani, Lieberman & Pavane

(21) Appl. No.: **29/114,889**

(57) **CLAIM**

(22) Filed: **Dec. 2, 1999**

The ornamental design for a controller, as shown.

(30) **Foreign Application Priority Data**

**DESCRIPTION**

Jun. 2, 1999 (DE) ..... 499 05 327

(51) **LOC (7) Cl.** ..... **12-16**

FIG. 1 is a left side perspective of the controller showing my new design;

(52) **U.S. Cl.** ..... **D12/174; D12/114**

(58) **Field of Search** ..... D12/179, 111, D12/114, 174; 74/489, 474, 475, 551.8

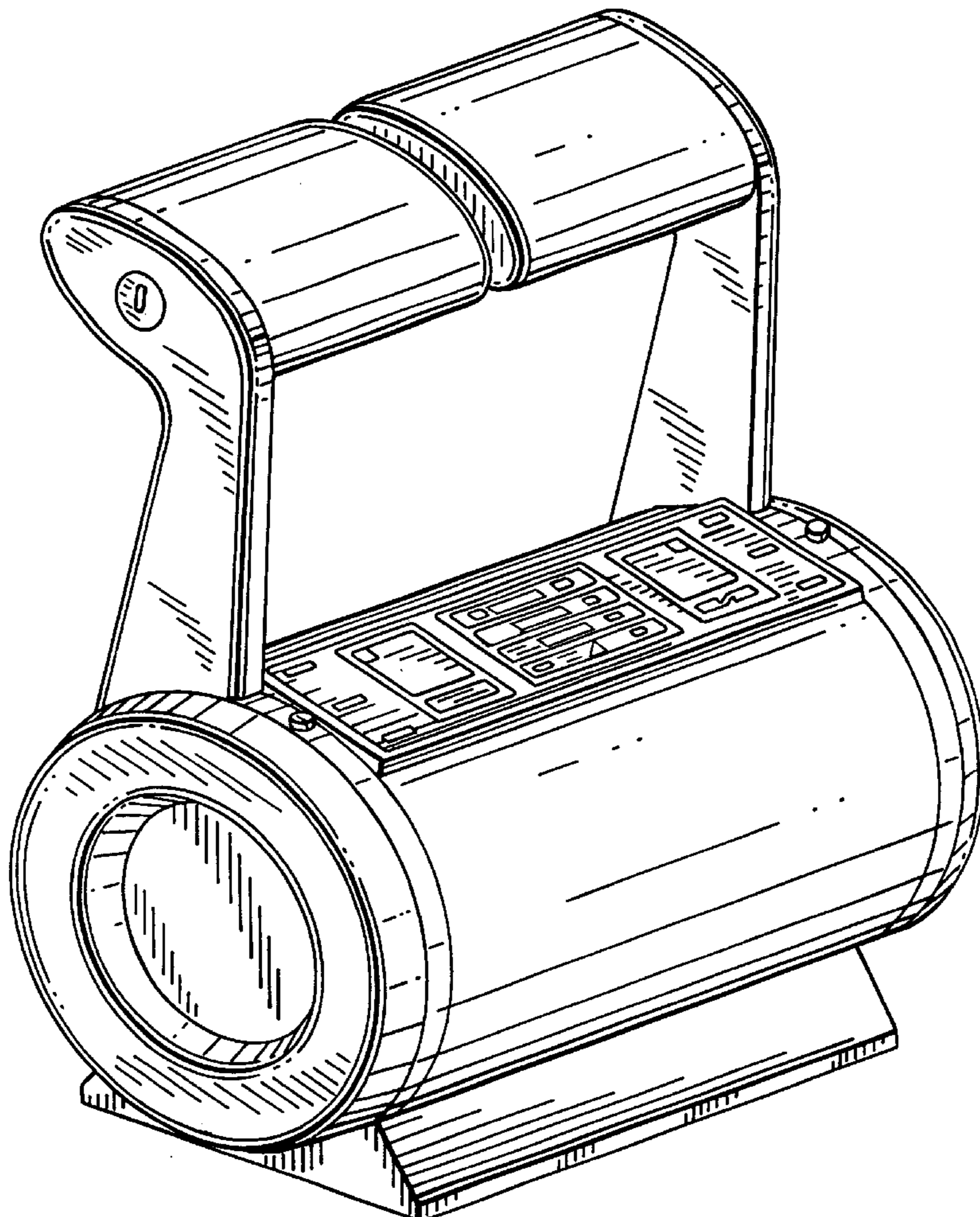
FIG. 2 is a rear, right side perspective view thereof; and FIG. 3 is a top, left side perspective thereof.

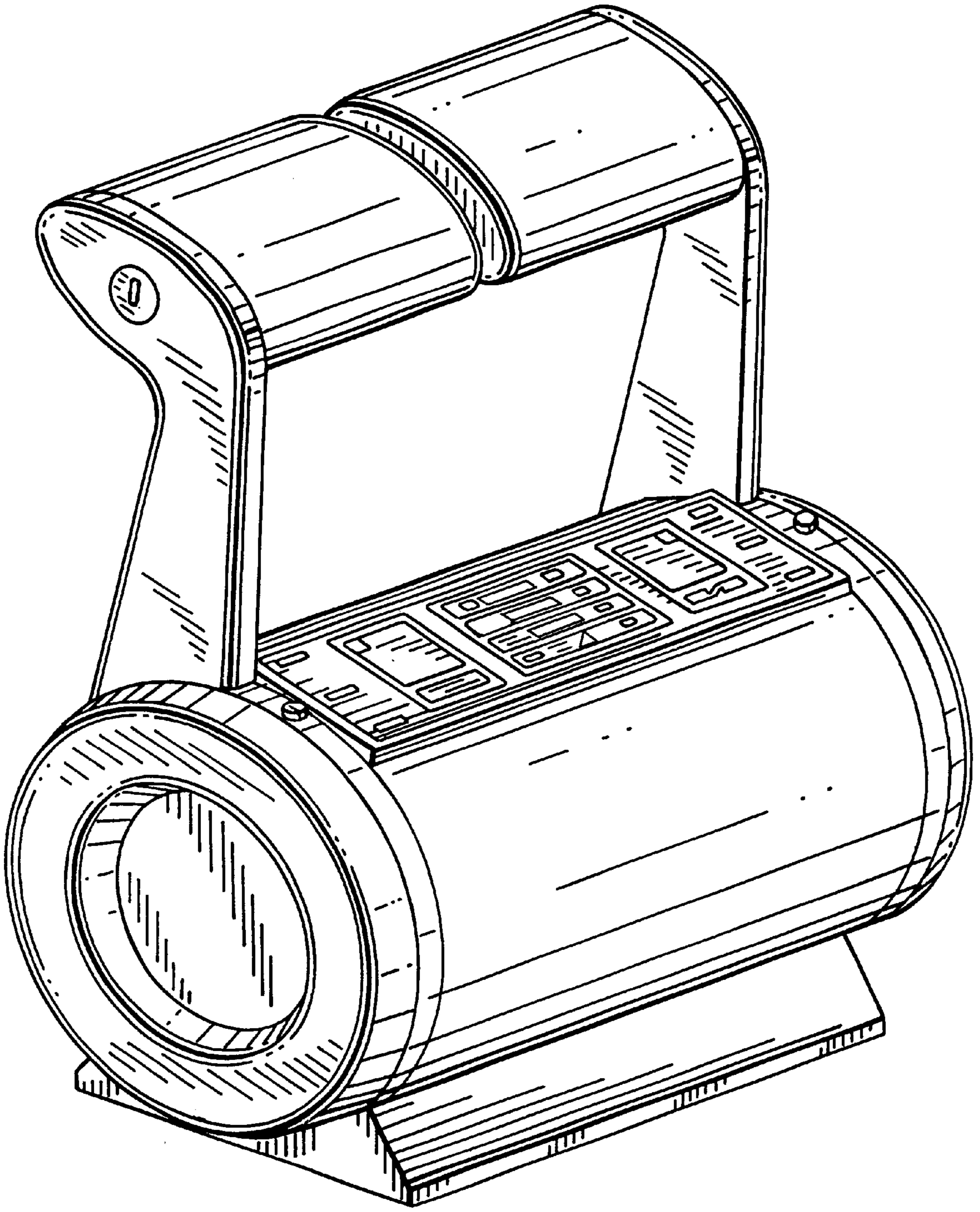
(56) **References Cited**

**U.S. PATENT DOCUMENTS**

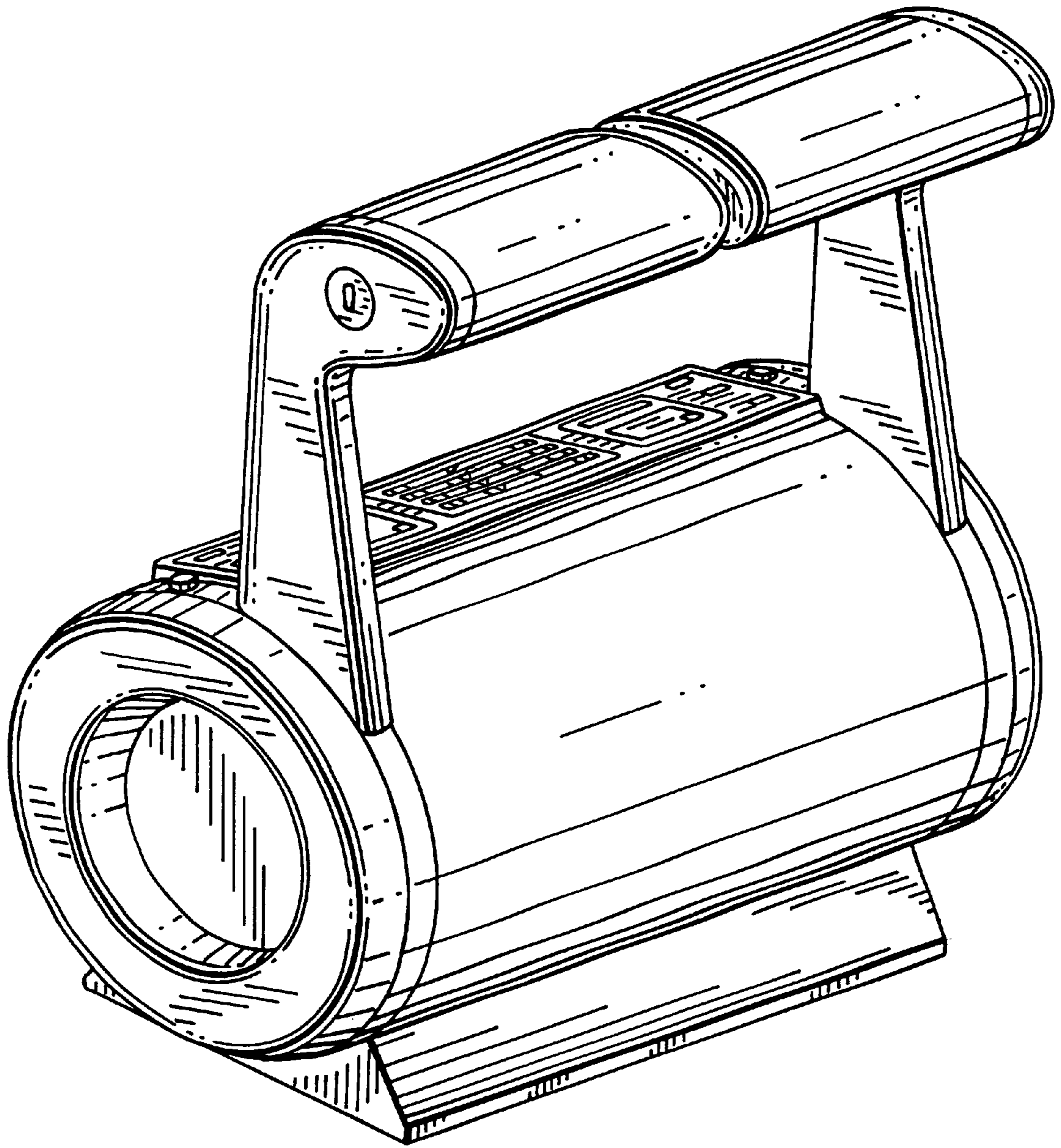
D265,816 S \* 8/1982 Matre ..... D12/174

**1 Claim, 3 Drawing Sheets**

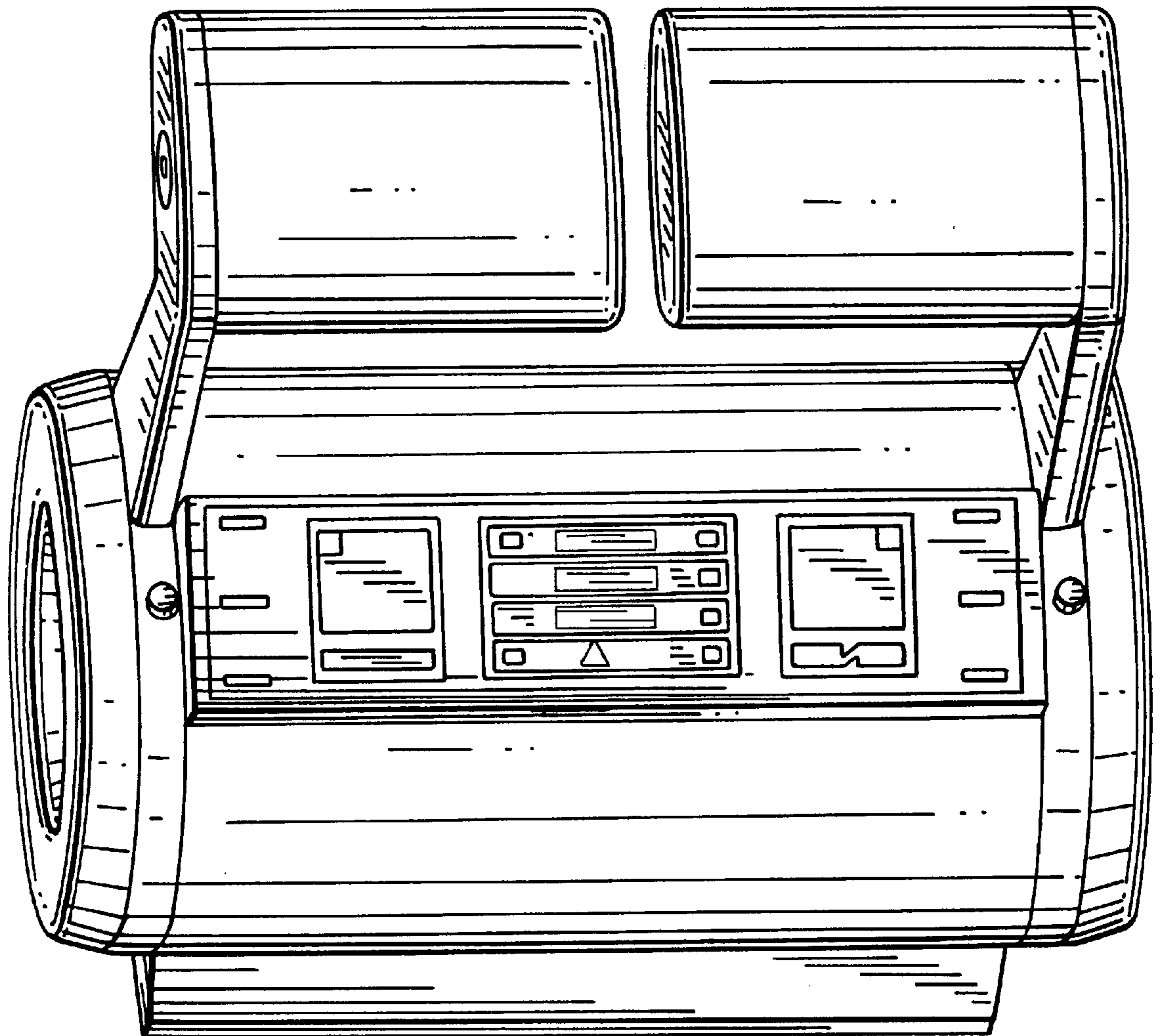




*FIG. 1*



*FIG. 2*



*FIG. 3*