



US00D452999S

(12) **United States Design Patent**
Vande Steeg et al.

(10) **Patent No.:** **US D452,999 S**
(45) **Date of Patent:** **** Jan. 22, 2002**

(54) **OUTER SURFACE OF A COVER FOR A CASEMENT WINDOW OPERATOR**

(75) Inventors: **David J. Vande Steeg**, Pella; **Andrew W. Middleswart**, Indianola; **Marlo G. Van Klompenburg**; **Bruce A. Baier**, both of Pella, all of IA (US); **Frank R. Wilgus**, Delaware, OH (US); **Gregory J. Vetter**, Owatonna, MN (US)

(73) Assignee: **Pella Corporation**, Pella, IA (US)

(**) Term: **14 Years**

(21) Appl. No.: **29/133,758**

(22) Filed: **Dec. 6, 2000**

(51) **LOC (7) Cl.** **08-07**

(52) **U.S. Cl.** **D8/343**

(58) **Field of Search** 292/337, 336.3, 292/198, 200, 202, 210, DIG. 20, DIG. 31, DIG. 33, DIG. 53; 16/429, 900; 74/543, 545, 547, 528; 49/324, 460; 70/208, 209, 431, 451; D8/302, 337, 343, 344, 346, 322, 400

(56) **References Cited**

U.S. PATENT DOCUMENTS

1,274,471 A	8/1918	Todd	
2,355,932 A	8/1944	Walton	
3,007,348 A	11/1961	Barnes	
3,044,478 A	7/1962	Russell	
4,392,330 A	7/1983	Buhr	
5,006,766 A	4/1991	Yuhás et al.	
5,301,989 A	* 4/1994	Dallmann et al. ...	292/DIG. 31 X
D347,569 S	6/1994	Vetter et al.	
D350,666 S	9/1994	Wobschall et al.	
5,400,473 A	3/1995	Delman	

D361,490 S	8/1995	Vetter	
5,467,503 A	11/1995	Nolte et al.	
D365,513 S	12/1995	Vetter et al.	
D369,741 S	5/1996	Harrison et al.	
D371,502 S	* 7/1996	Morris D8/331
5,551,316 A	9/1996	Blank	
D375,042 S	10/1996	Anderson et al.	
5,560,082 A	10/1996	Vetter	
D375,254 S	11/1996	Anderson et al.	
D375,445 S	11/1996	Harrison et al.	
D375,674 S	11/1996	Anderson et al.	
D379,917 S	6/1997	Vetter et al.	
D390,454 S	2/1998	Vetter et al.	
5,765,308 A	6/1998	Anderson et al.	
5,813,171 A	9/1998	Piltingsrud	
D408,274 S	4/1999	Vetter et al.	
D408,729 S	4/1999	Virkler et al.	
5,937,582 A	8/1999	Taylor	
6,174,007 B1	* 1/2001	Schlack et al. 292/336.3

* cited by examiner

Primary Examiner—Jennifer Rivard

(74) *Attorney, Agent, or Firm*—Hovey, Williams, Timmons & Collins

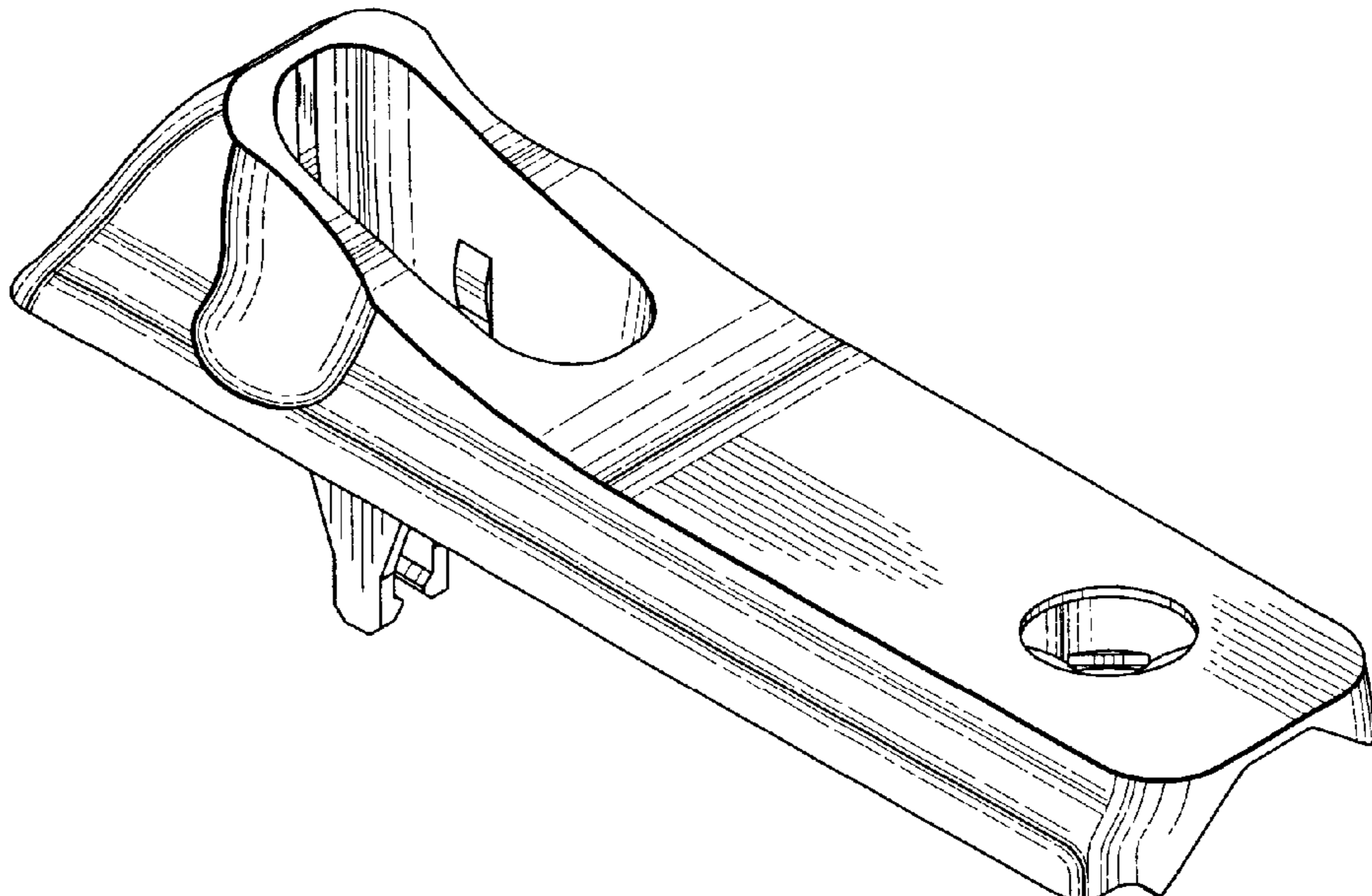
(57) **CLAIM**

The ornamental design for a outer surface of a cover for a casement window operator, as shown and described.

DESCRIPTION

FIG. 1 is a top front perspective view of an outer surface of a cover for a casement window operator embodying our design in accordance with the present invention; FIG. 2 is a top plan view thereof; FIG. 3 is a side elevational view thereof; FIG. 4 is an opposite side elevational view thereof; FIG. 5 is an end elevational view thereof; and, FIG. 6 is an opposite end elevational view thereof.

1 Claim, 1 Drawing Sheet



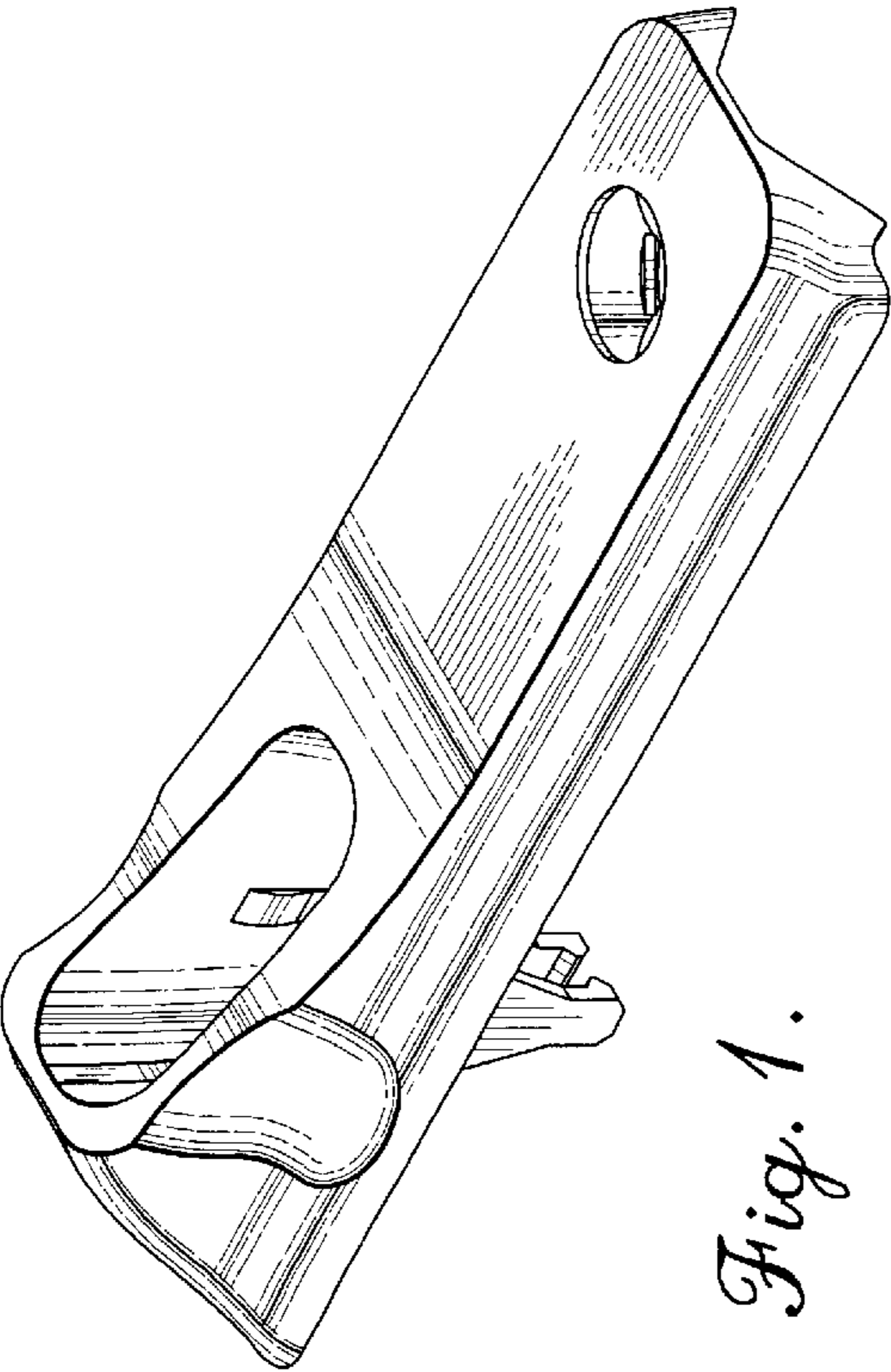


Fig. 1.

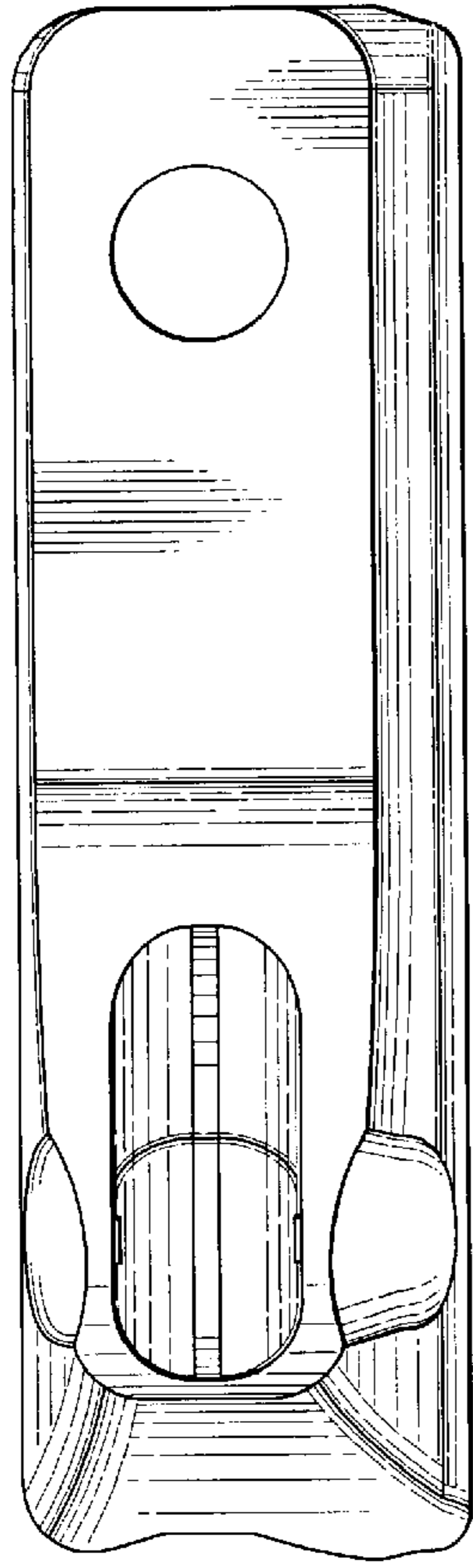


Fig. 2.

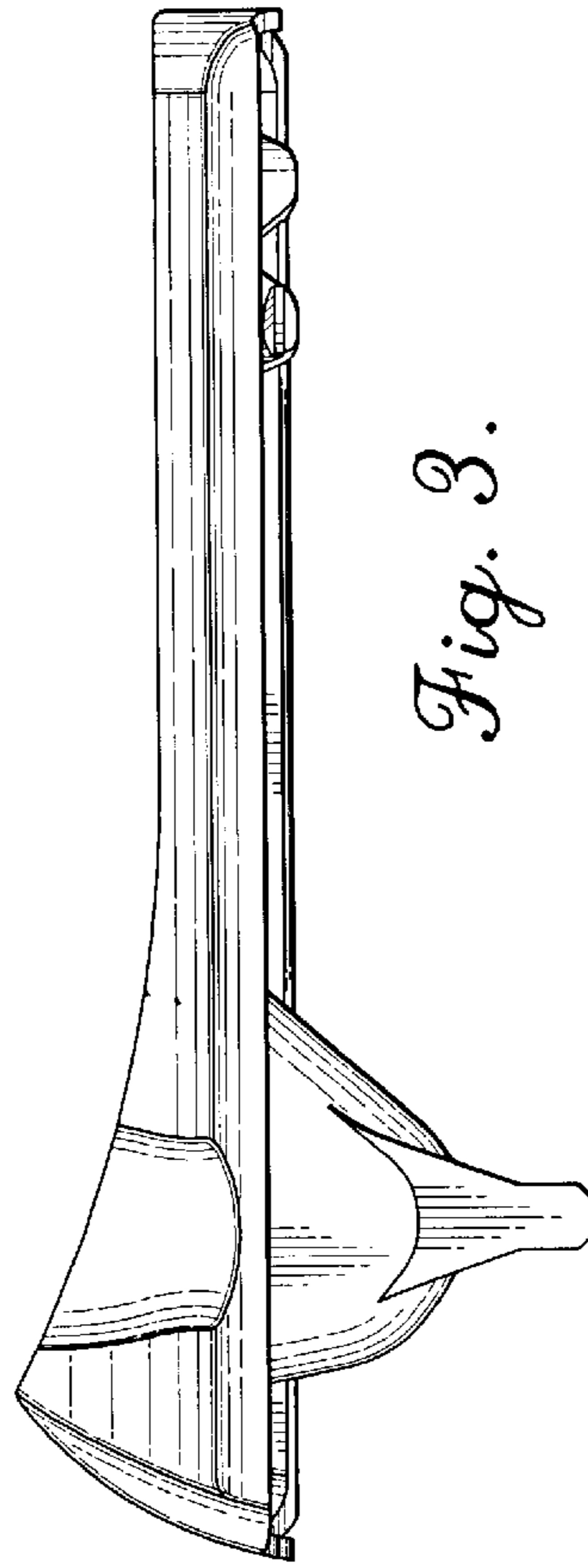


Fig. 3.

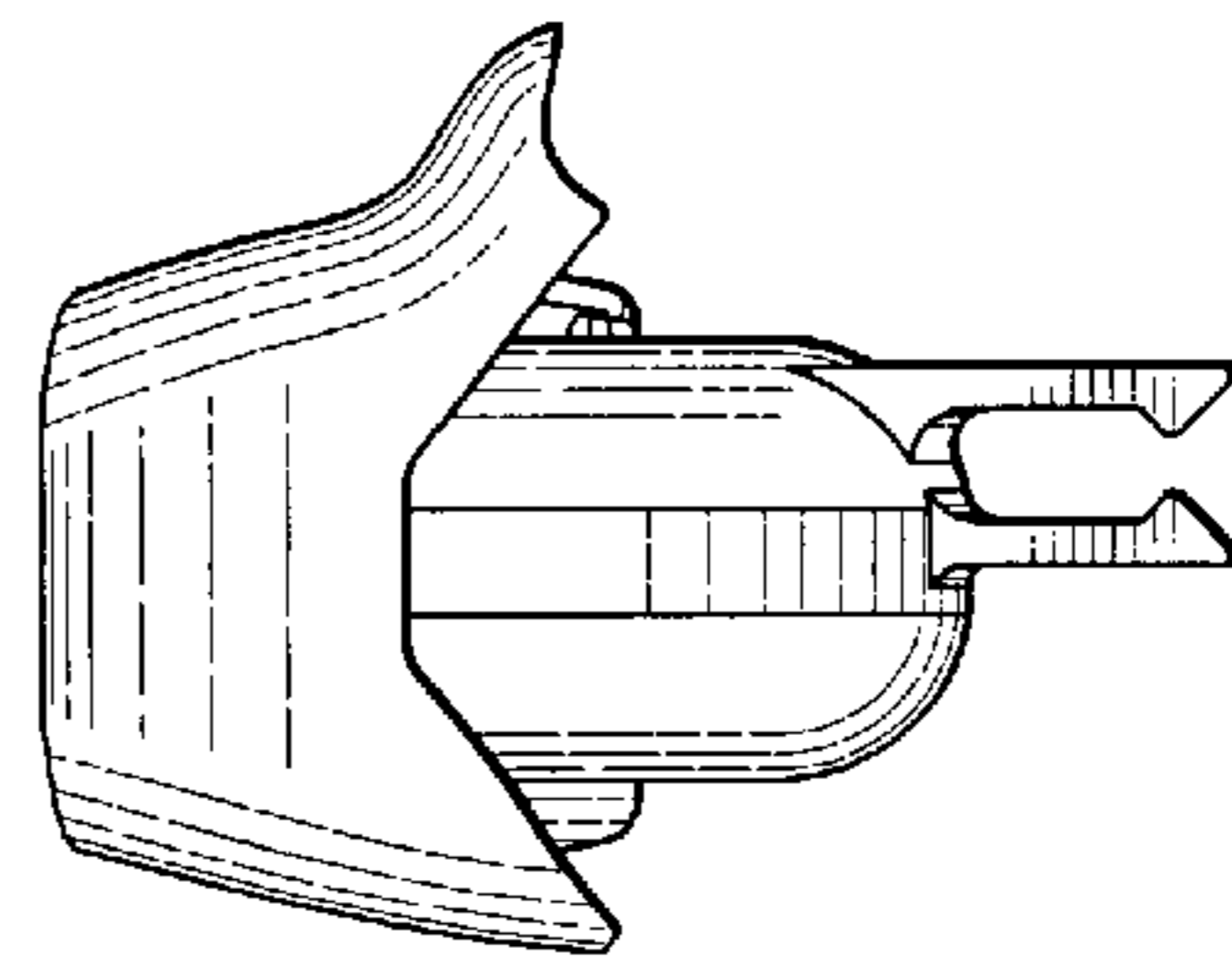


Fig. 5.

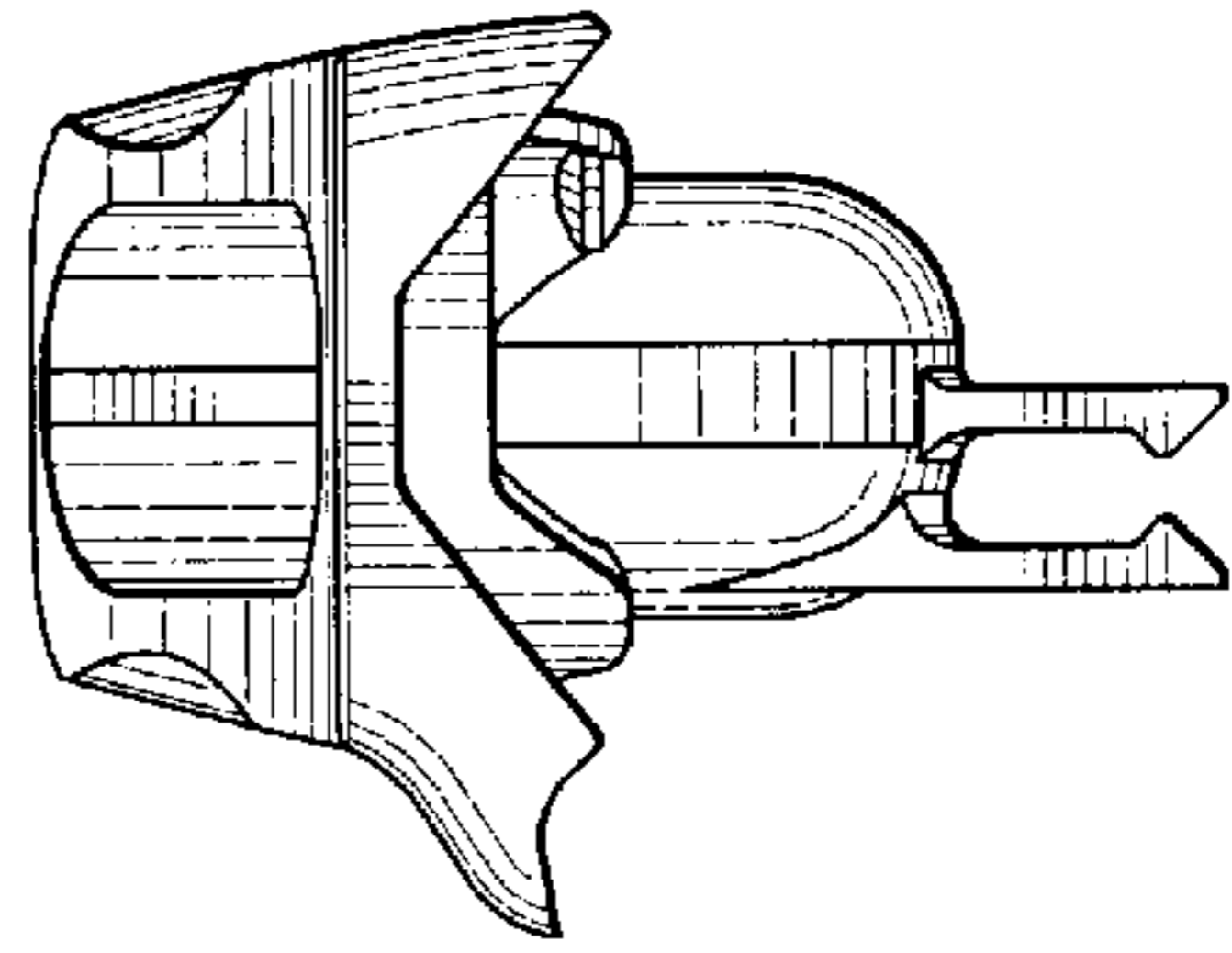


Fig. 6.

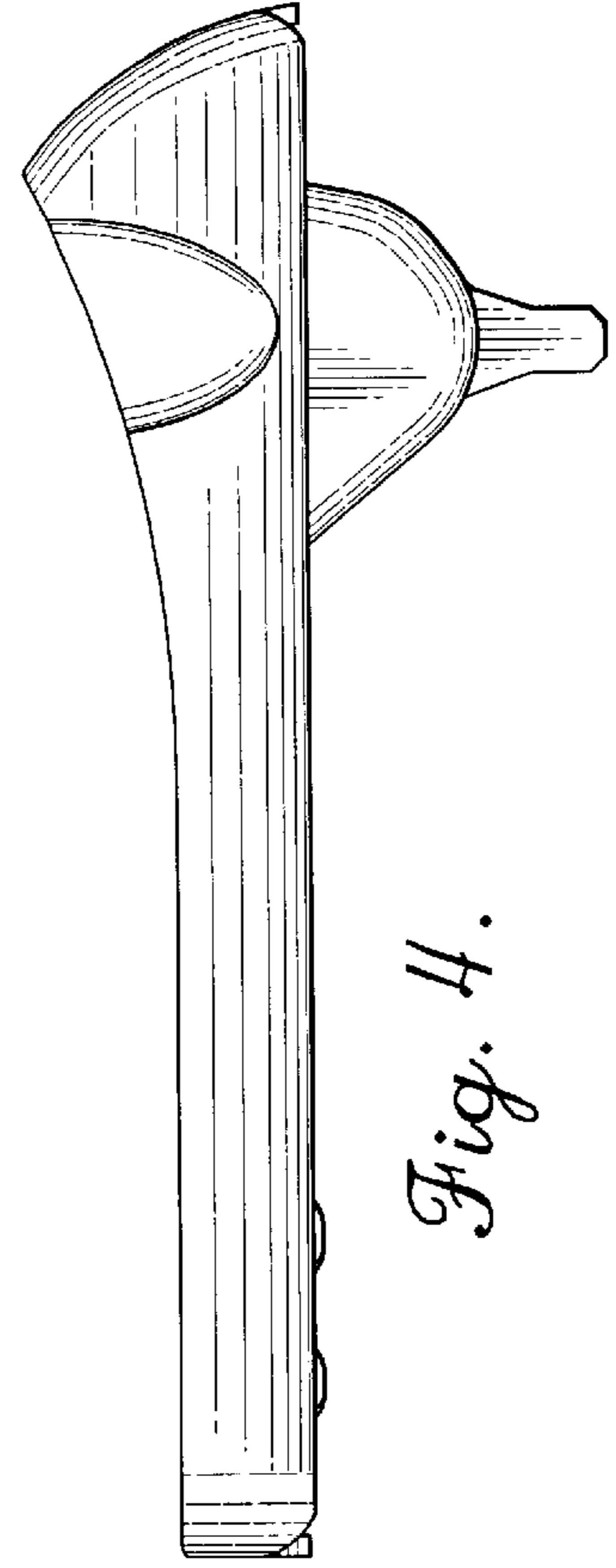


Fig. 4.