



US00D452988S

(12) **United States Design Patent**
Ergezinger et al.

(10) **Patent No.:** **US D452,988 S**
(45) **Date of Patent:** **** Jan. 22, 2002**

(54) **SPARE TRAVEL CLOTHING**

D341,919 S * 12/1993 Grimes D2/743
5,774,892 A * 7/1998 Tisdale et al. 2/69

(76) Inventors: **Ramona Kate Ergezinger; Wayne Allen Ergezinger**, both of Box 1731, Vegreville, Alberta (CA), T9C 1S8

FOREIGN PATENT DOCUMENTS

WO WO 98/19569 5/1998

(**) Term: **14 Years**

OTHER PUBLICATIONS

Banana Republic Holiday 1986 p. 49 Convertible Pants.*

(21) Appl. No.: **29/117,470**

* cited by examiner

(22) Filed: **Jan. 24, 2000**

(51) **LOC (7) Cl.** **02-02**

Primary Examiner—Louis S. Zarfaz

(52) **U.S. Cl.** **D2/743; D2/830**

Assistant Examiner—Deanne Levy

(58) **Field of Search** D2/6, 8, 743-748, D2/830; 2/113-115, 125-126, 79-83, 69-72, 227-229, 108, 912-914

(57) **CLAIM**

The ornamental design for spare travel clothing, as shown and described.

(56) **References Cited**

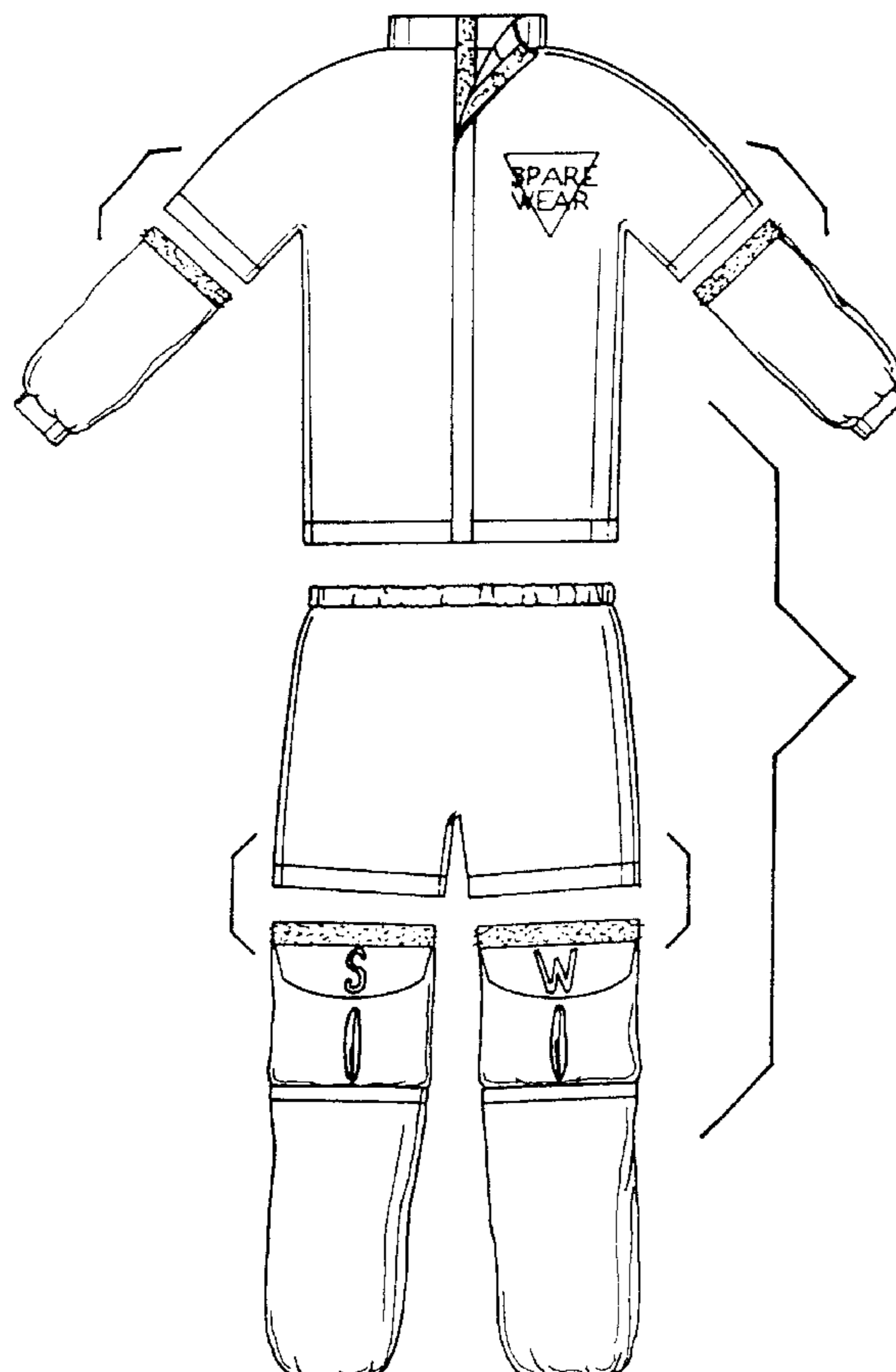
DESCRIPTION

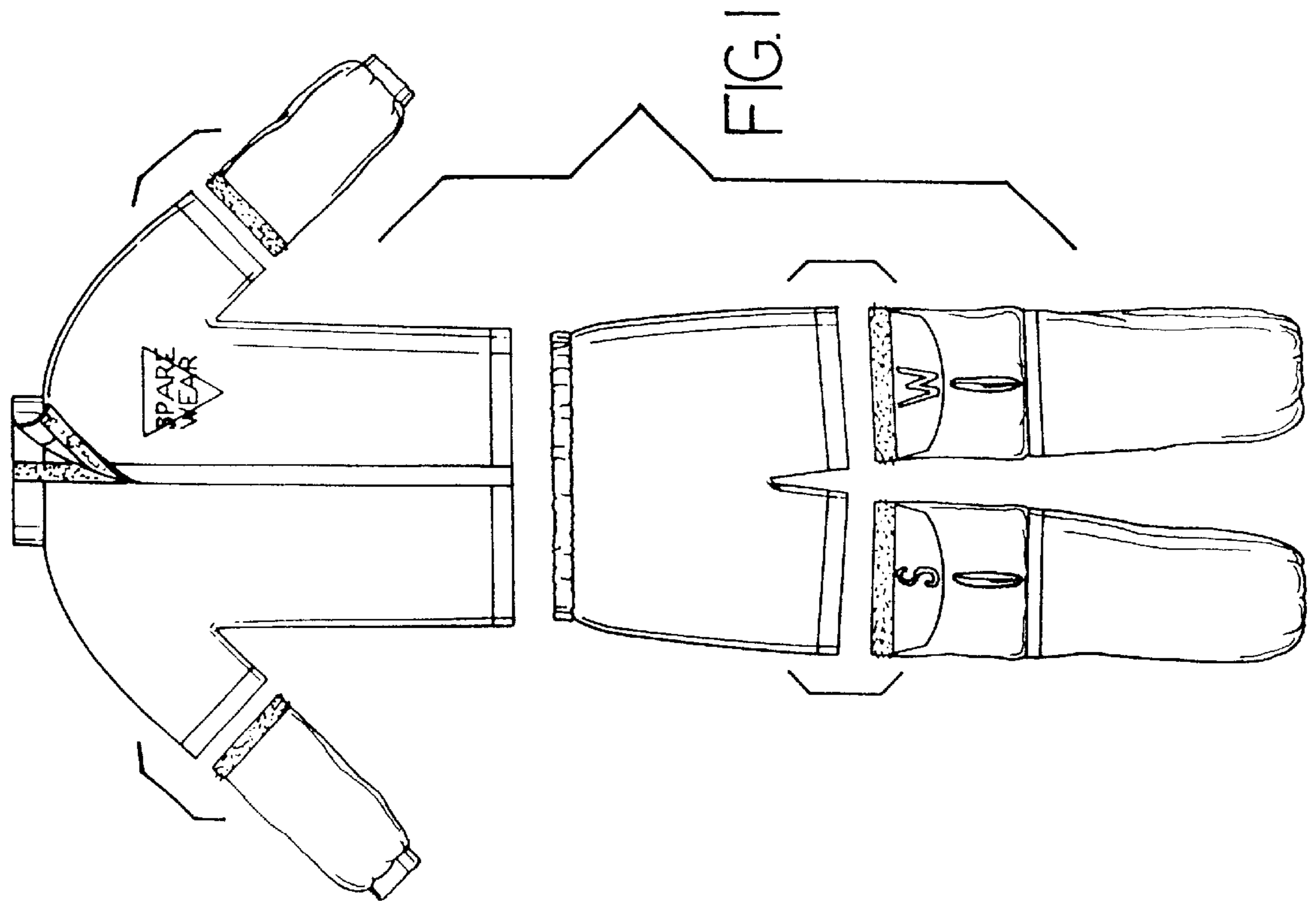
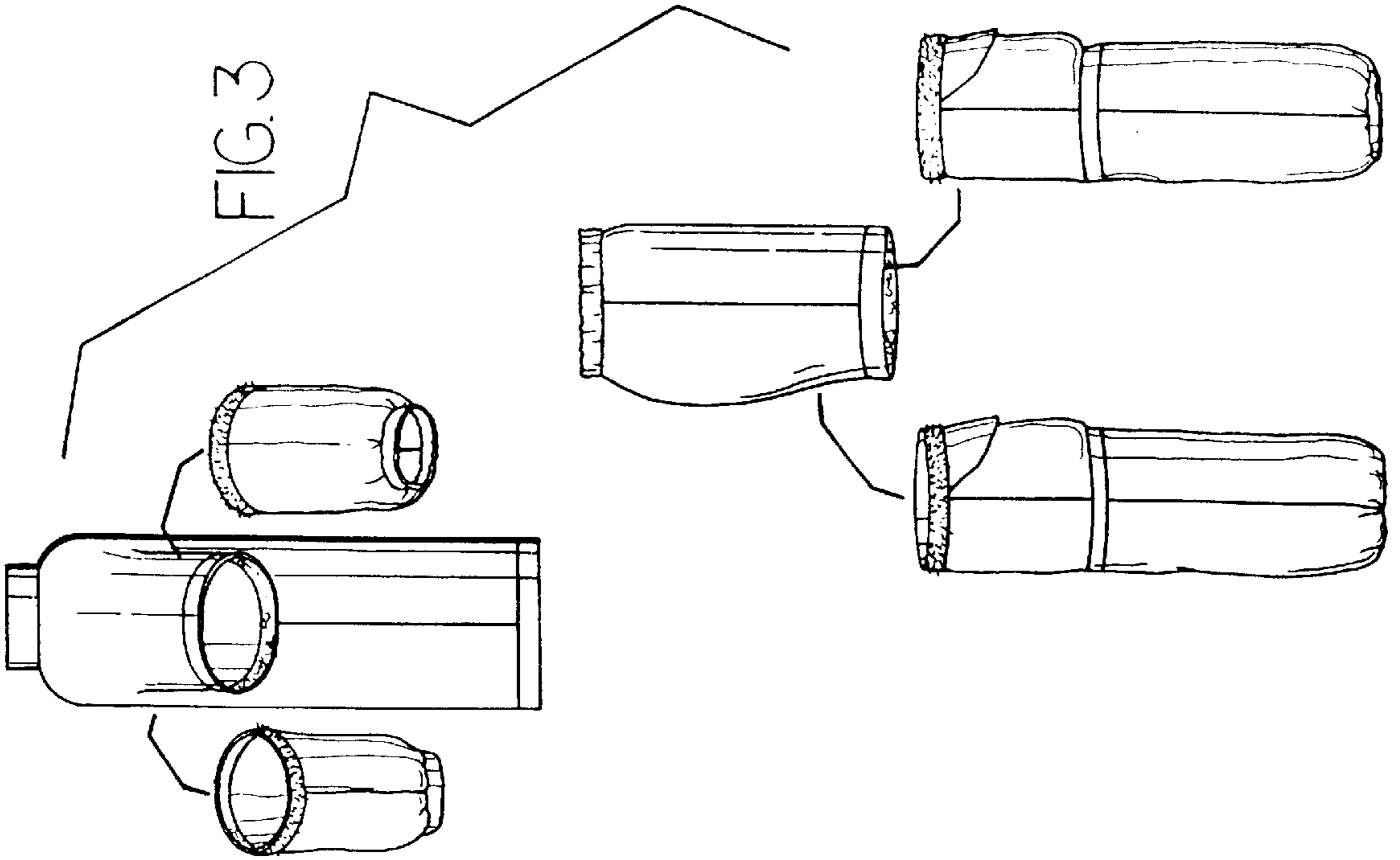
U.S. PATENT DOCUMENTS

4,215,435 A *	8/1980	Miele	2/227
4,766,613 A *	8/1988	Wells	2/227
4,993,078 A	2/1991	Seitz	2/115
5,003,635 A *	4/1991	Peterson	2/69
D316,923 S	5/1991	Jensen	D2/8
5,084,914 A	2/1992	Hesch	2/79
5,150,660 A	9/1992	Kuczynski	112/402
5,182,812 A *	2/1993	Goldsby	2/79

FIG. 1 is an exploded front view of the spare travel clothing showing our design;
FIG. 2 is an exploded rear view thereof;
FIG. 3 is an exploded left side view thereof;
FIG. 4 is an exploded top plan view thereof; and,
FIG. 5 is an exploded bottom plan view thereof.

1 Claim, 3 Drawing Sheets





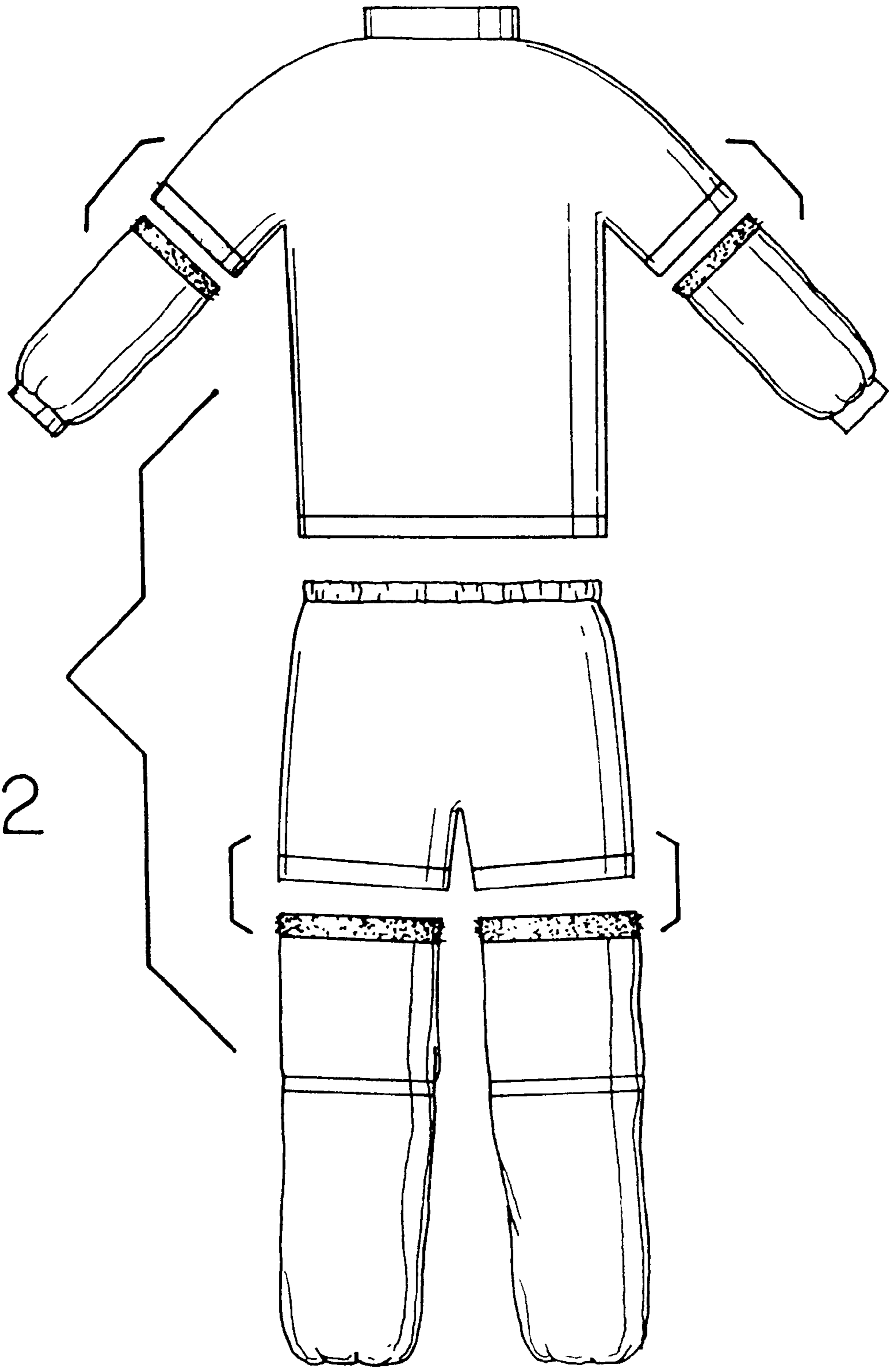


FIG. 2

