



US00D452981B1

(12) **United States Design Patent**
Freeman et al.

(10) **Patent No.:** **US D452,981 S**
(45) **Date of Patent:** **** Jan. 15, 2002**

(54) **BELL PEPPER SOAP**

(76) Inventors: **Faith Freeman**, 3632 Rebel Cir.,
Huntington Beach, CA (US) 92649;
Leon J Savoit, IV, 1061 Cypress, La
Habra, CA (US) 90631

(**) Term: **14 Years**

(21) Appl. No.: **29/144,925**

(22) Filed: **Jul. 12, 2001**

(51) **LOC (7) Cl.** **28-02**

(52) **U.S. Cl.** **D28/8.2**

(58) **Field of Search** D28/8.1, 8.2; D1/106,
D1/115; D9/307, 329, 335; D11/131-133,
139, 157; D19/53; 510/142-144, 146-148,
440, 449; 428/13; D26/7; D24/102; D5/36

(56) **References Cited**

U.S. PATENT DOCUMENTS

D129,492 S	*	9/1941	Schaeffer	D5/36
D415,590 S	*	10/1999	Freeman	D28/8.2
D428,199 S	*	7/2000	Freeman	D28/8.2
D430,953 S	*	9/2000	Freeman	D28/8.1

OTHER PUBLICATIONS

Primal Elements ® Spring/Summer 2001 Catalog, © 2000,
1) p. 19: "Cottontails" soap; 2) p. 21: "Berry Buttons" and
"Big Apple" soaps. 3) p. 24: "Chili Fest" soap.*

* cited by examiner

Primary Examiner—Ted Shooman

Assistant Examiner—C Tuttle

(74) *Attorney, Agent, or Firm*—Stetina Brunda Garred &
Brucker

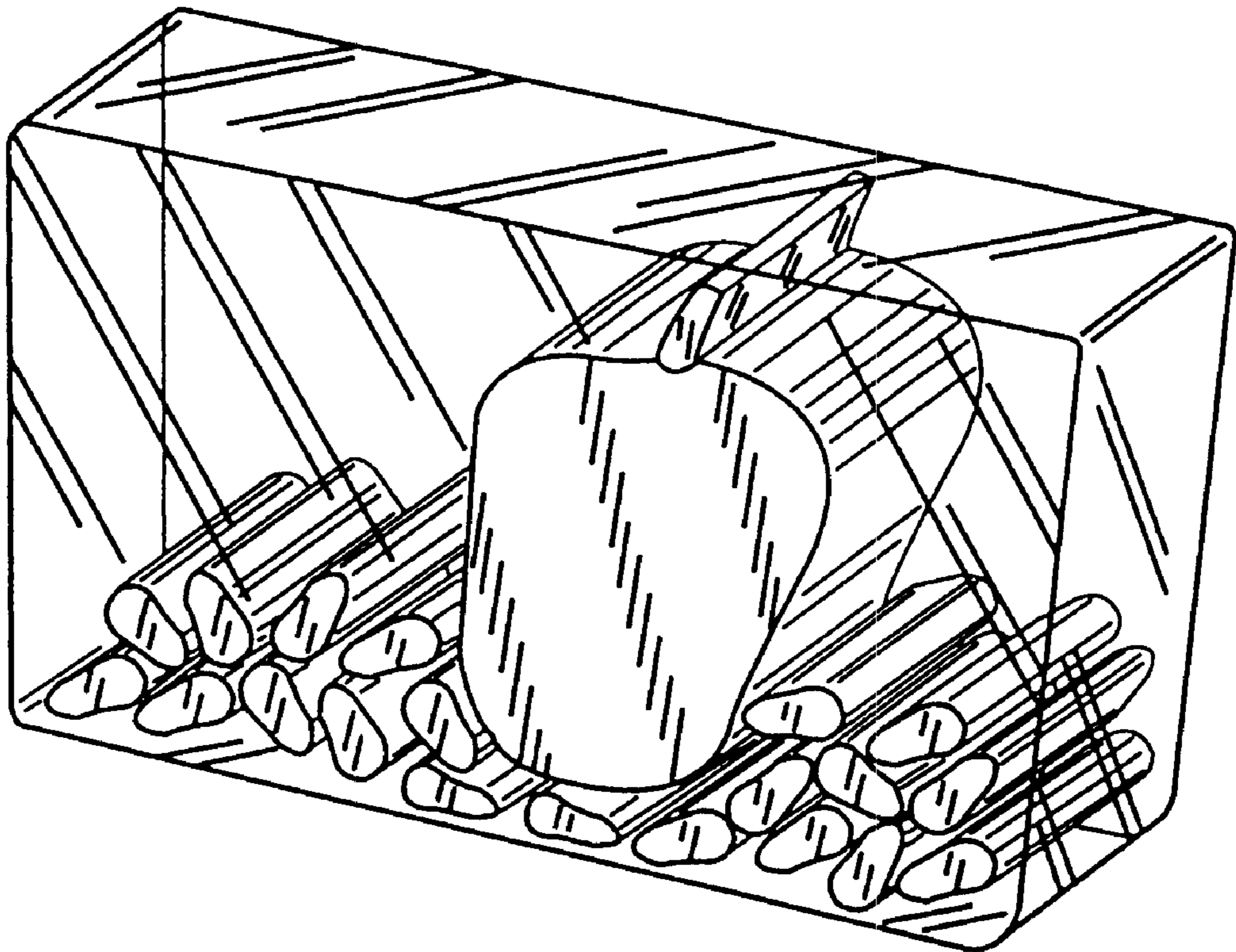
(57) **CLAIM**

The ornamental design for a bell pepper soap, as shown and
described.

DESCRIPTION

FIG. 1 is a front perspective view of the bell pepper soap of
the present invention showing our new design;
FIG. 2 is a front elevational view thereof;
FIG. 3 is a side elevational view thereof;
FIG. 4 is the opposite side elevational view thereof;
FIG. 5 is a top plan view thereof; and,
FIG. 6 is a bottom plan view thereof.

1 Claim, 1 Drawing Sheet



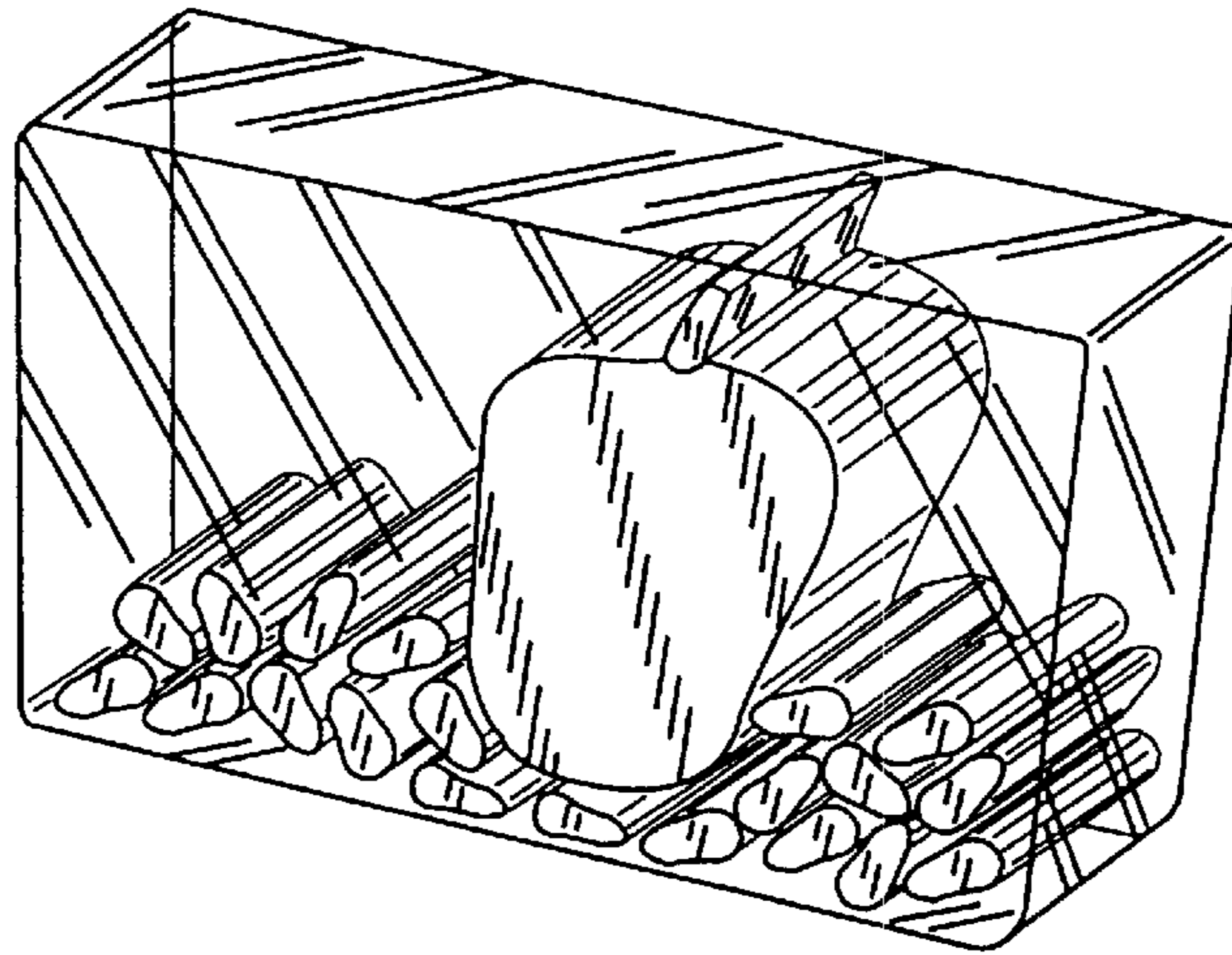


Fig. 1

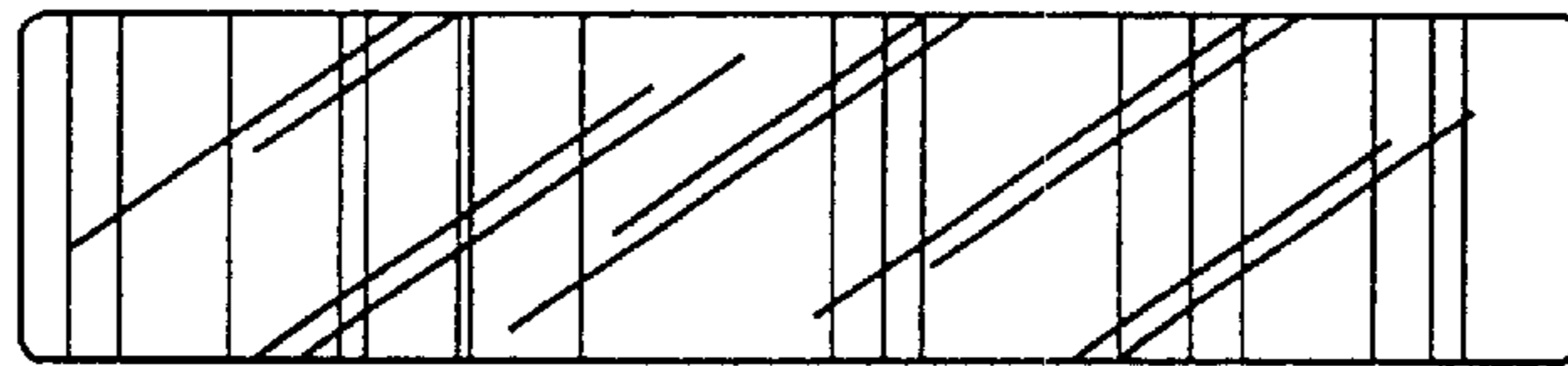


Fig. 5

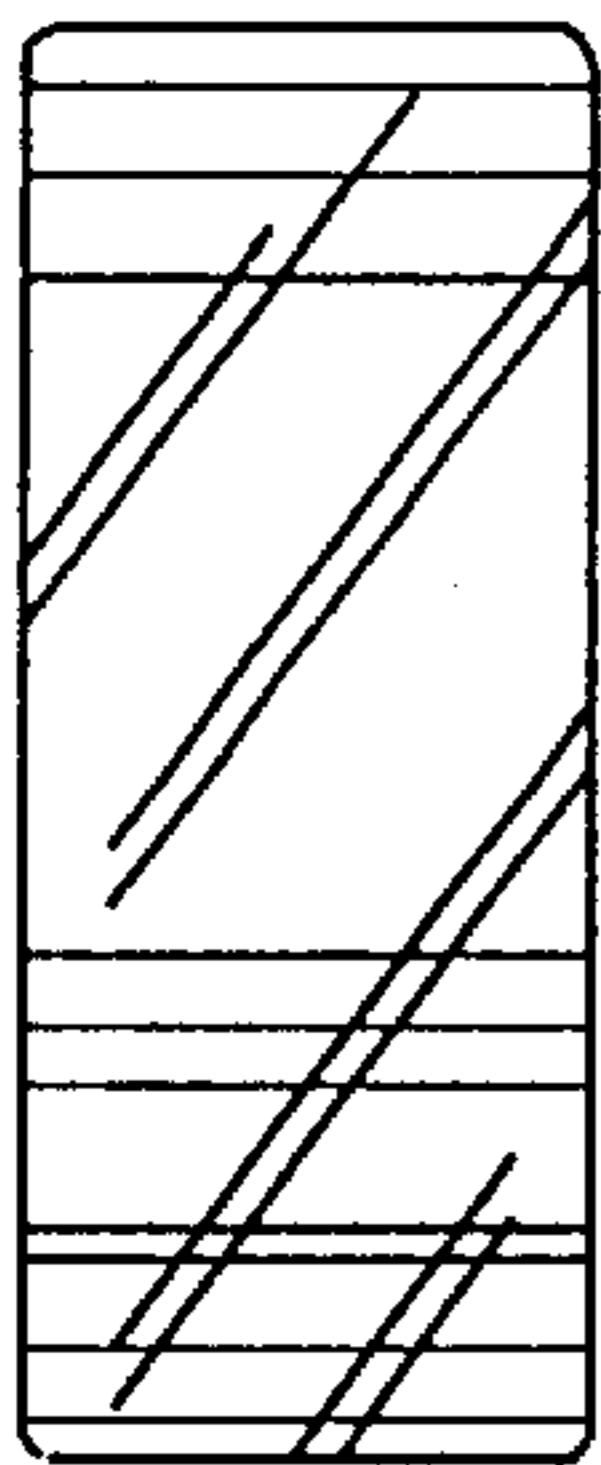


Fig. 3

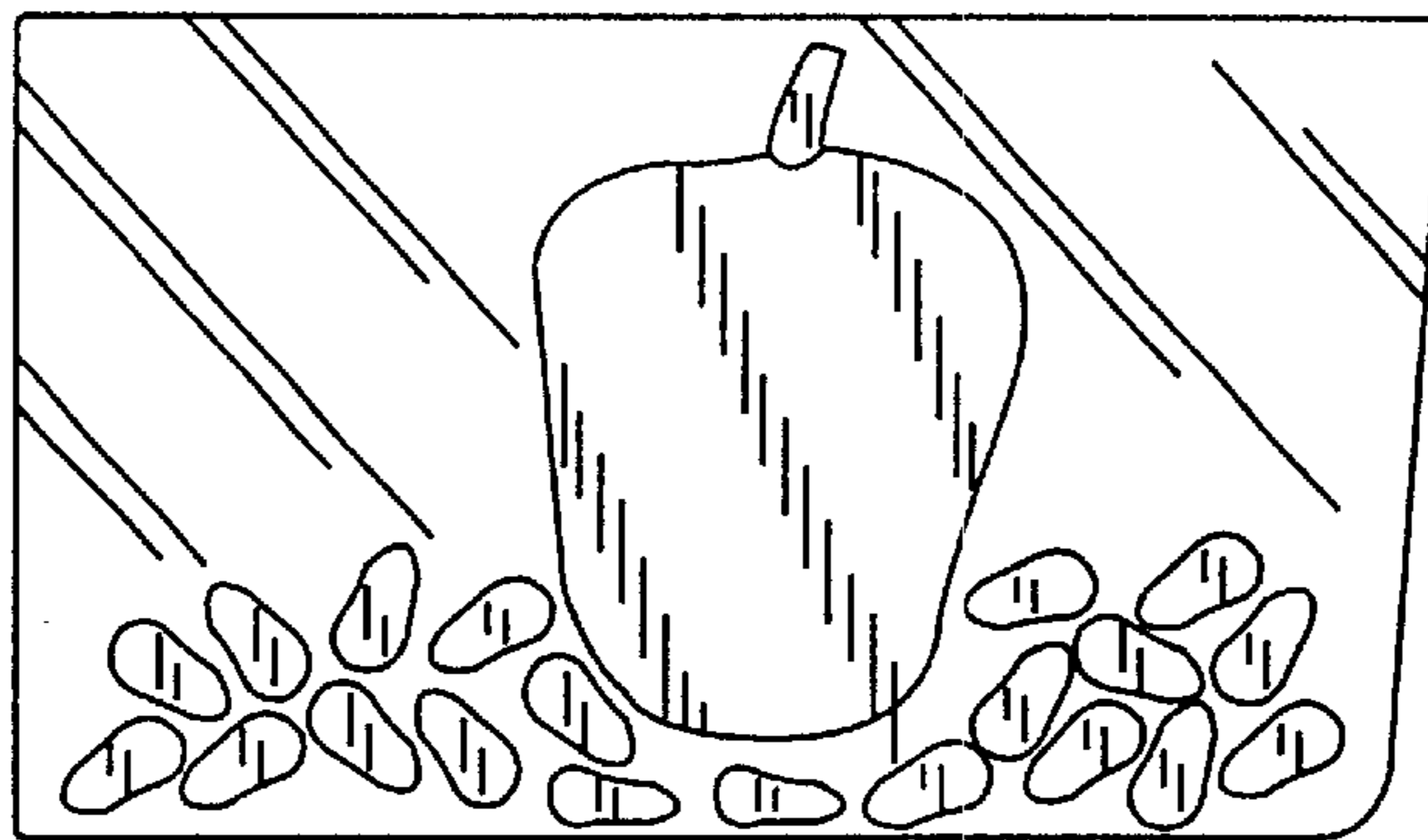


Fig. 2

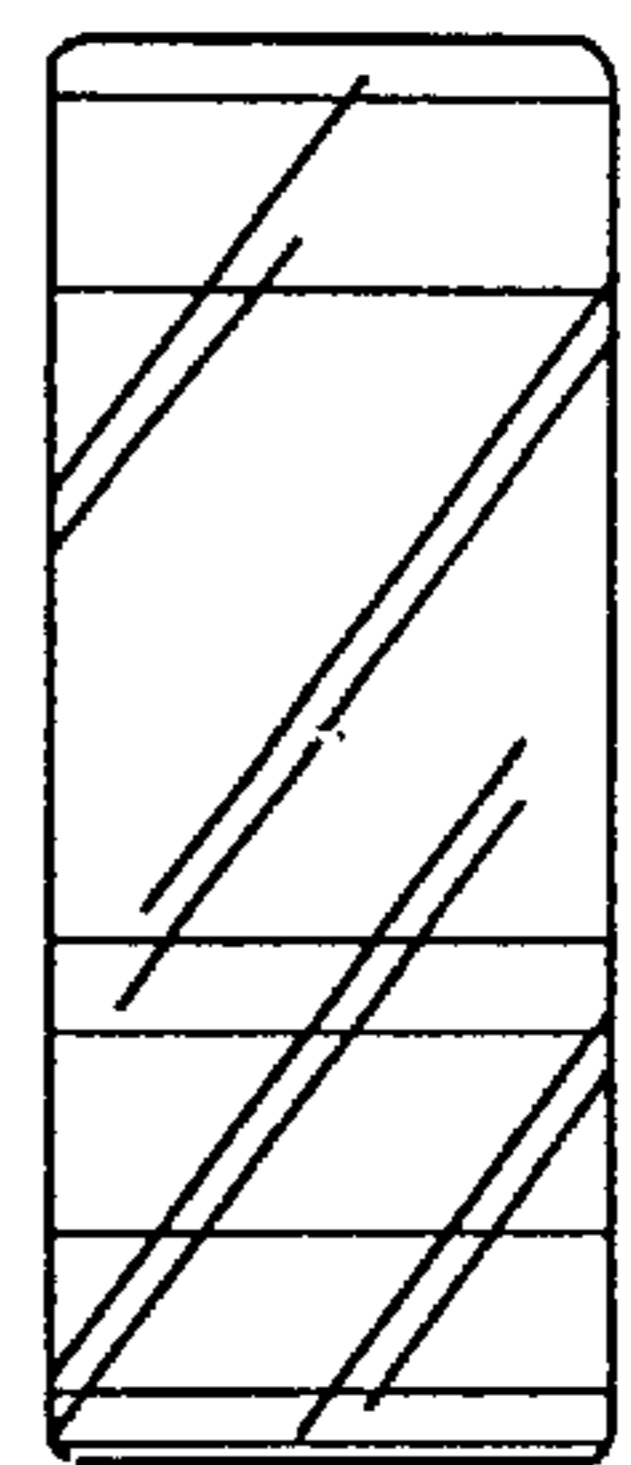


Fig. 4

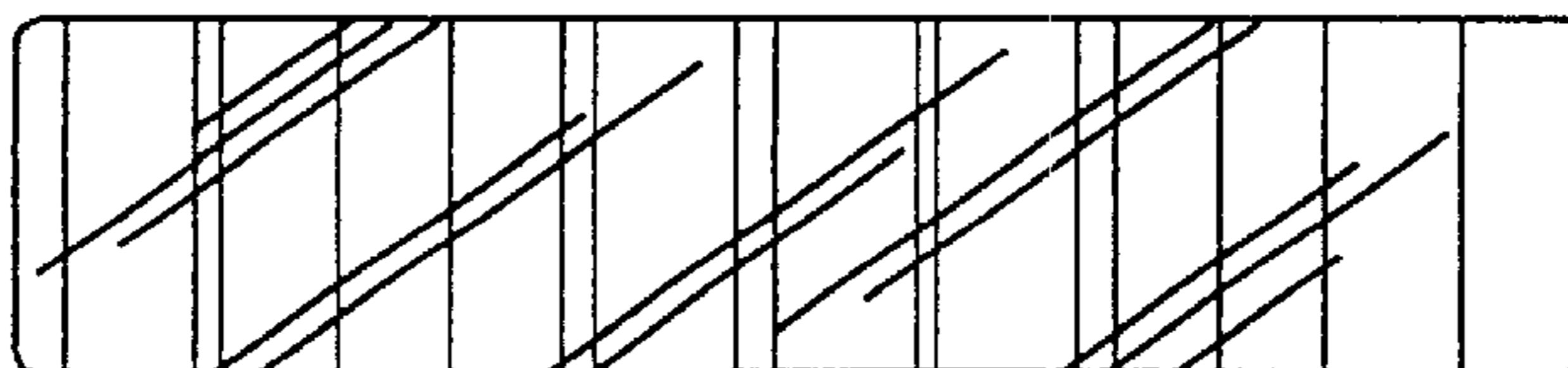


Fig. 6