

US00D452976B1

(12) **United States Design Patent**  
**Carpenter**

(10) **Patent No.:** **US D452,976 S**

(45) **Date of Patent:** **\*\* Jan. 15, 2002**

(54) **PANEL WALL ORGANIZER**

D438,904 S \* 3/2001 Reynolds ..... D19/75

(75) Inventor: **Kevin D. Carpenter**, Jacksonville, FL (US)

**OTHER PUBLICATIONS**

Three-Pocket Hanging File Folder System, item "E", Guernsey Office Products catalog, copyright 1999, p. 624.\*

(73) Assignee: **Advantus Corporation**, Jacksonville, FL (US)

\* cited by examiner

(\*\*) Term: **14 Years**

*Primary Examiner*—Doris V. Coles

*Assistant Examiner*—Elizabeth A. Albert

(21) Appl. No.: **29/119,670**

(74) *Attorney, Agent, or Firm*—Arthur G. Yeager

(22) Filed: **Mar. 3, 2000**

(57) **CLAIM**

(51) **LOC (7) Cl.** ..... **19-02**

(52) **U.S. Cl.** ..... **D19/90**

(58) **Field of Search** ..... D19/52, 65, 75,  
D19/78, 86, 88, 90, 91, 92, 95, 100; 40/642.02;  
248/441.1, 441.2, 445, 450, 451, 452, 453,  
460, 469, 473, 910; 281/44; D6/553; 211/55,  
126.13

I claim the ornamental design for a panel wall organizer, as shown.

**DESCRIPTION**

(56) **References Cited**

**U.S. PATENT DOCUMENTS**

- D276,777 S \* 12/1984 Evenson ..... D19/92
- 4,588,094 A \* 5/1986 Evans ..... 211/126.13
- 5,016,760 A \* 5/1991 Mayo ..... 211/55
- D349,131 S \* 7/1994 Nystrom et al. .... D19/90
- 5,344,030 A \* 9/1994 Evenson ..... D19/92
- D391,990 S \* 3/1998 Wolff ..... D19/65

This application relates to a pending application entitled Panel Wall Hanger filed concurrently herewith; 29/119,615 filed Mar. 6, 2000.

FIG. 1 is a front perspective view of a panel wall organizer showing my new design;

FIG. 2 is a left side elevational view thereof;

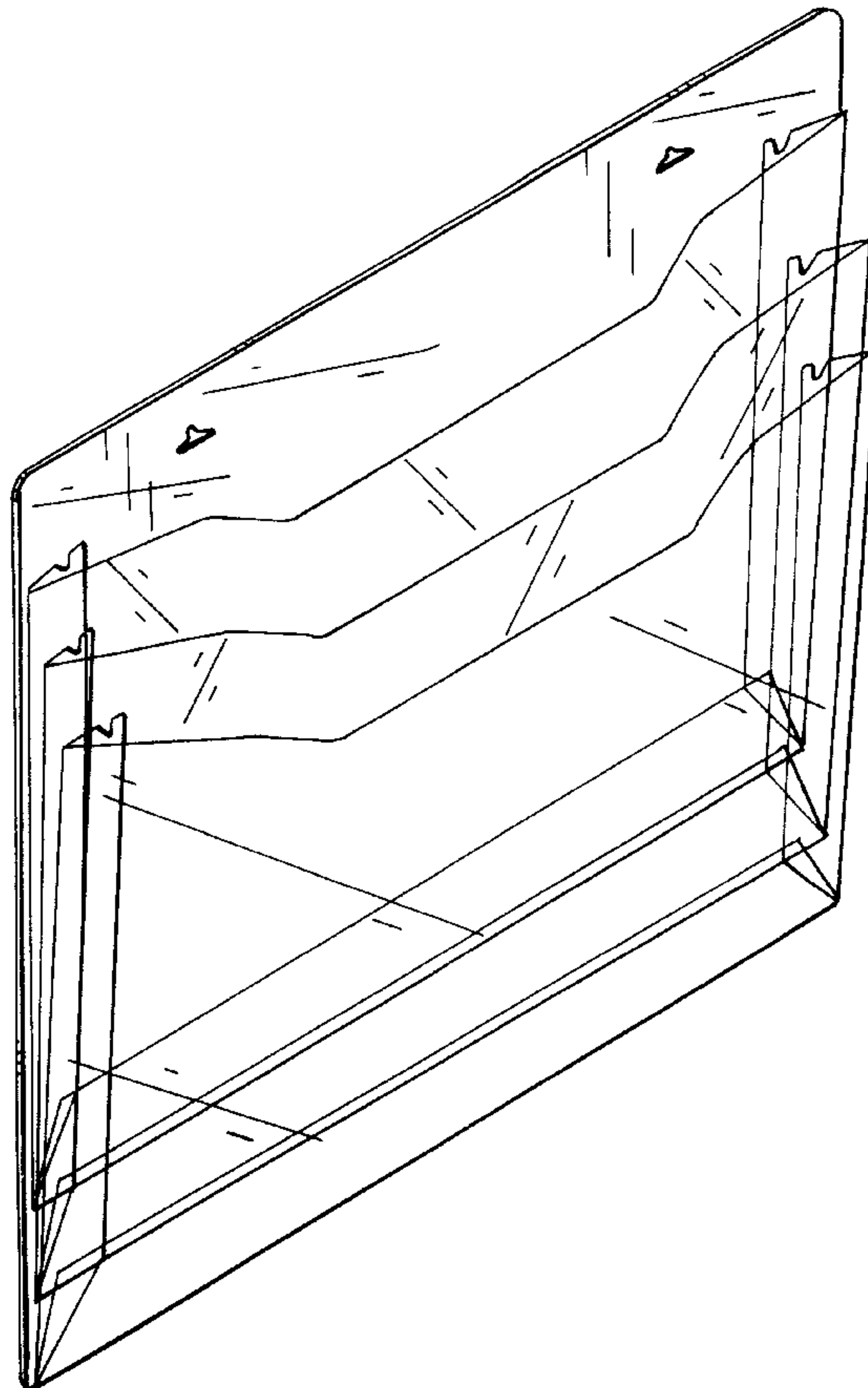
FIG. 3 is a bottom plan view thereof;

FIG. 4 is a top plan view thereof;

FIG. 5 is a front elevational view thereof; and,

FIG. 6 is a back elevational view thereof.

**1 Claim, 3 Drawing Sheets**



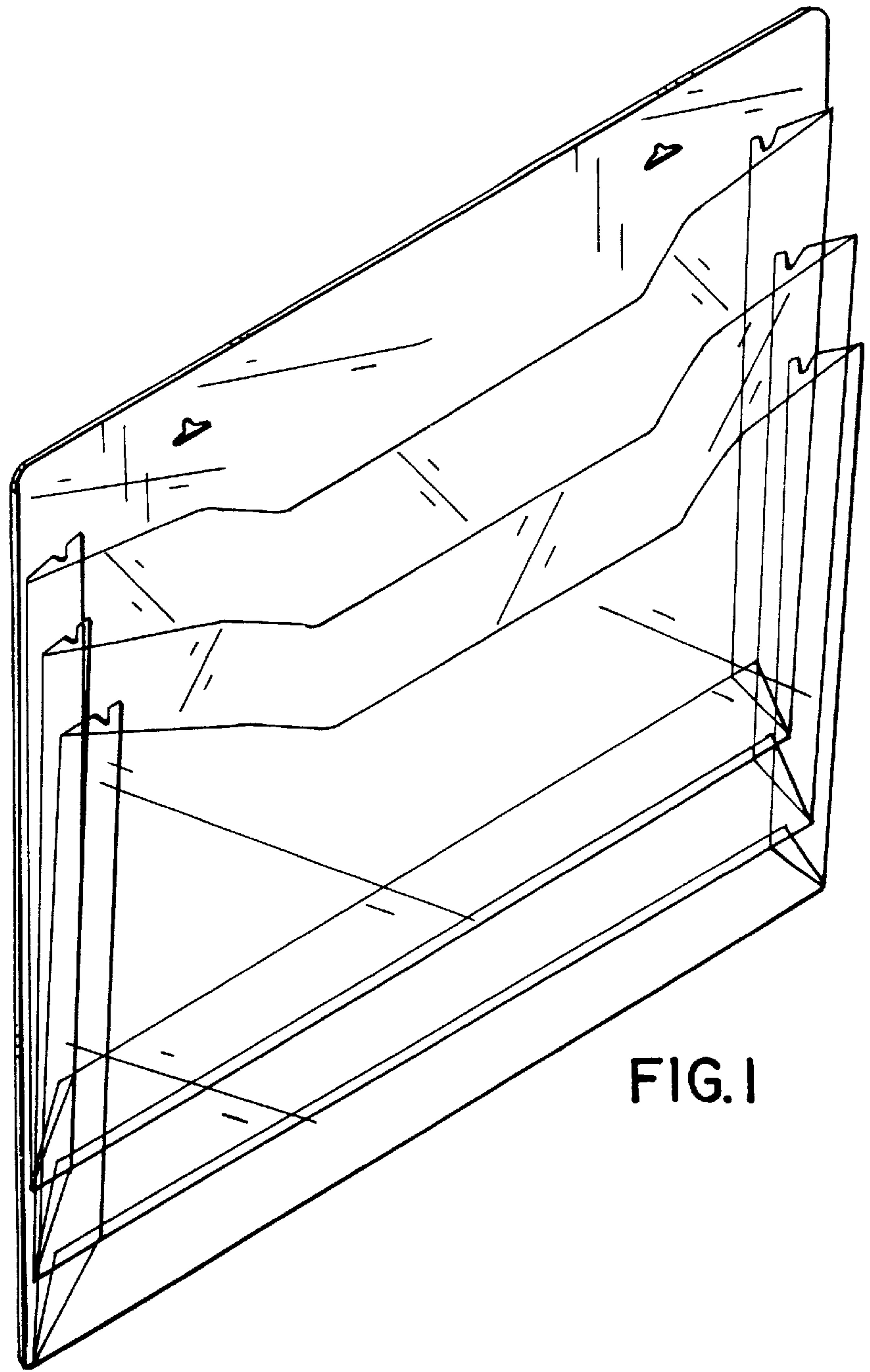


FIG. 1



FIG. 2

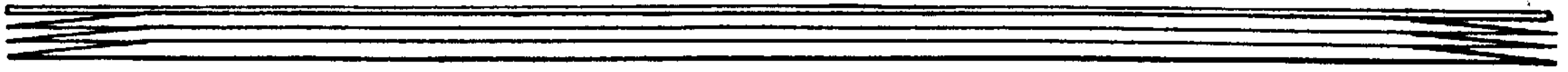


FIG. 4

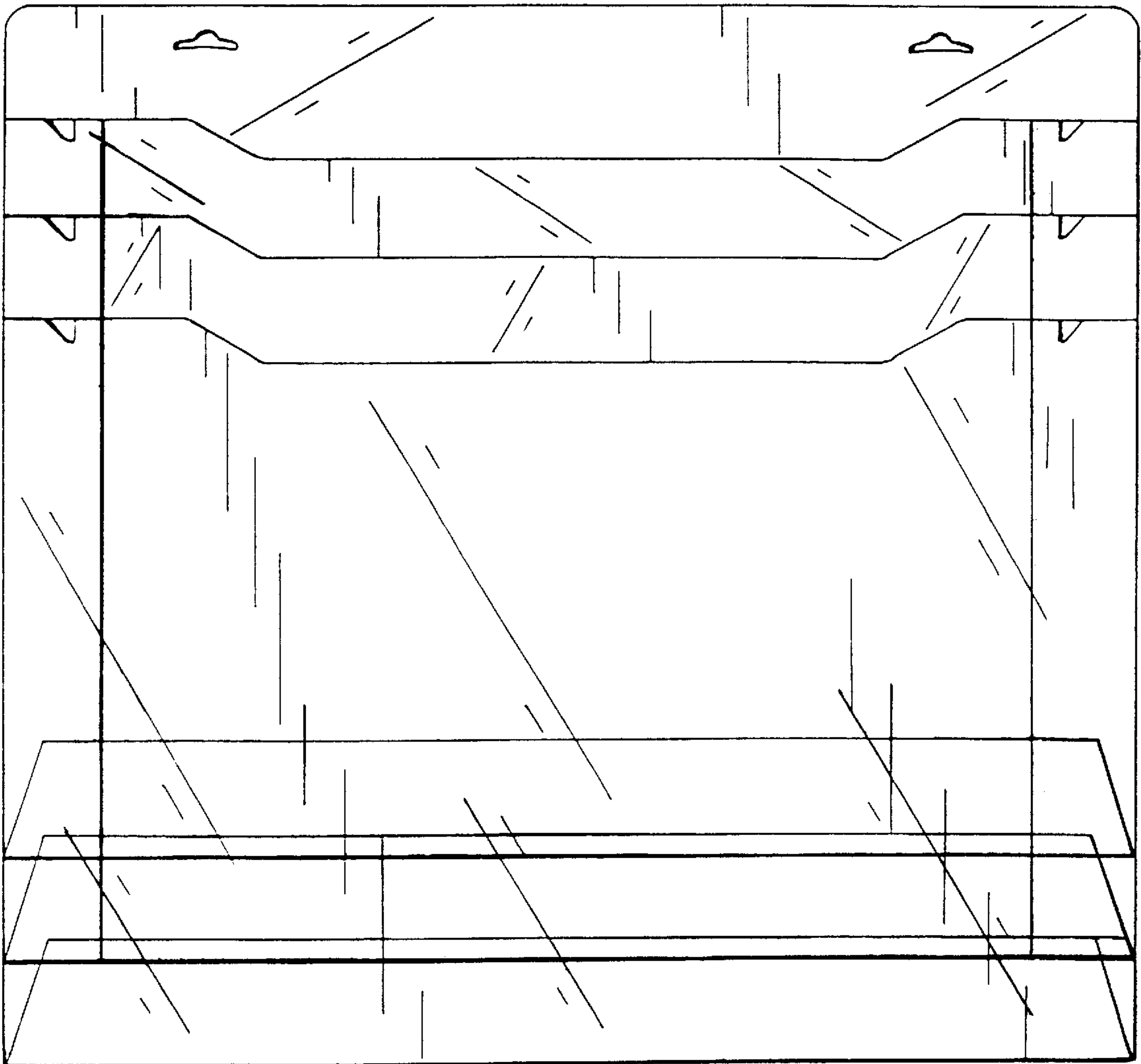


FIG. 5

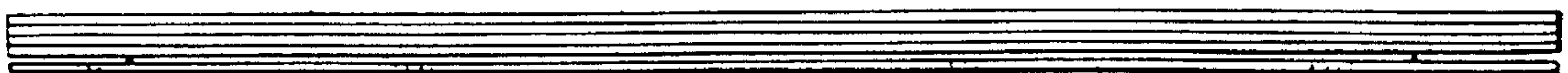


FIG. 3

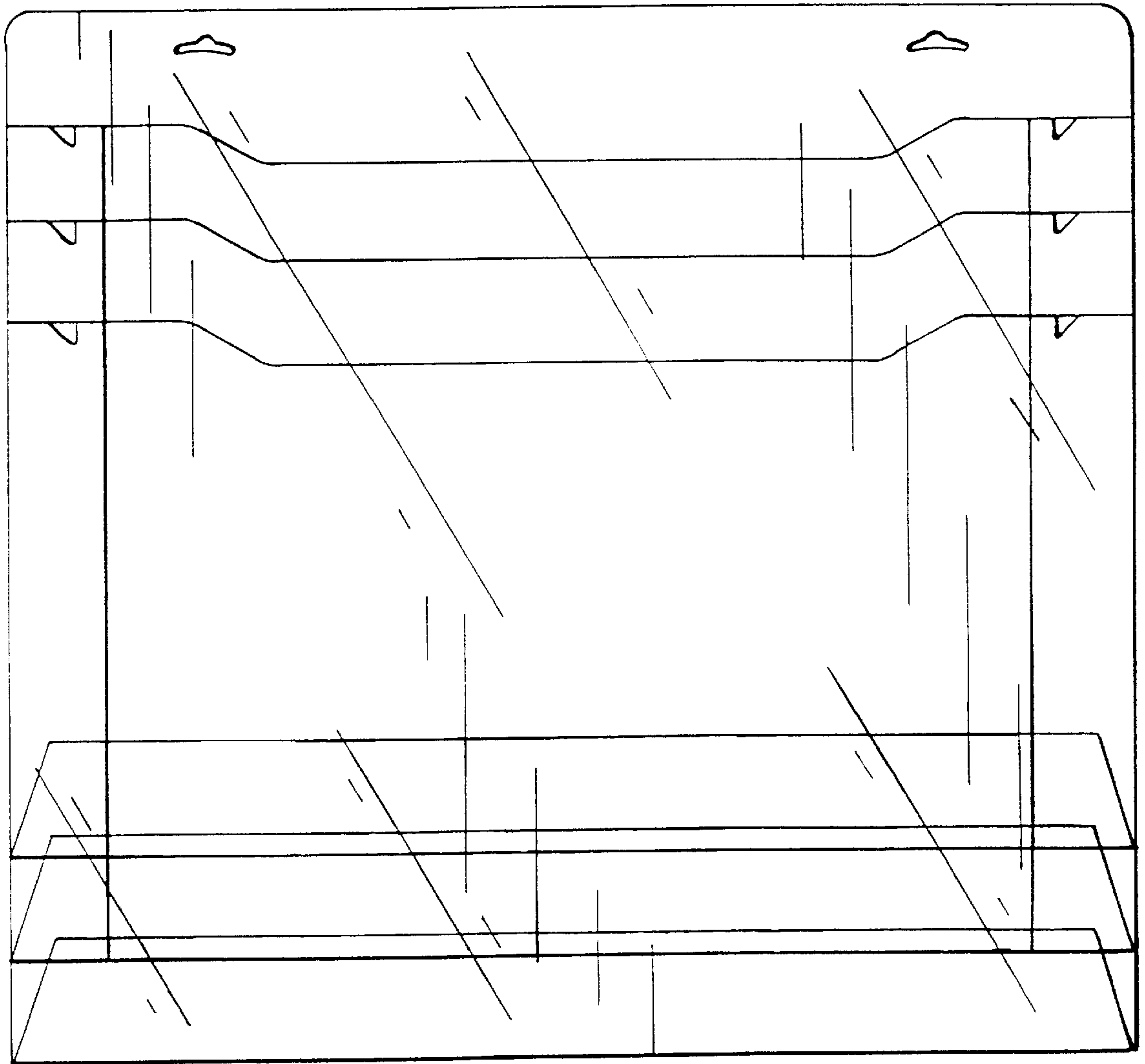


FIG. 6