



US00D452975B1

(12) **United States Design Patent**  
**Mershon**

(10) **Patent No.:** **US D452,975 S**

(45) **Date of Patent:** **\*\* Jan. 15, 2002**

(54) **COMBINATION PEN AND MAGNIFIER**

(76) **Inventor:** **Randolph J. Mershon**, 300 Winston Dr., Cliffside Park, NJ (US) 07010

(\*\*) **Term:** **14 Years**

(21) **Appl. No.:** **29/141,959**

(22) **Filed:** **May 16, 2001**

(51) **LOC (7) Cl.** ..... **19-06**

(52) **U.S. Cl.** ..... **D19/36; D16/135; D19/46; D19/51; D19/56**

(58) **Field of Search** ..... **D16/134, 135; D19/35, 36, 41-51, 53-58, 81-85; 401/98, 52, 195, 202, 243-247, 262, 213; 359/818**

(56) **References Cited**

**U.S. PATENT DOCUMENTS**

1,305,245	A	*	6/1919	Barthelemy	.....	401/195
2,172,597	A	*	9/1939	Simpson	.....	401/195
2,234,942	A	*	3/1941	Nichols	.....	401/195
2,455,972	A	*	12/1948	Bowditch	.....	401/195
2,732,761	A	*	1/1956	Bender et al.	.....	401/195

2,748,474	A	*	6/1956	Brown	.....	401/195	X
D218,537	S	*	8/1970	Bushon	.....	D16/135	
4,398,800	A	*	8/1983	Hayes	.....	359/818	
5,074,695	A	*	12/1991	DeRosa	.....	401/52	X
D410,029	S	*	5/1999	Melnick	.....	D19/36	
D429,762	S	*	8/2000	Mershon	.....	D19/34	

\* cited by examiner

*Primary Examiner*—Martie K. Holtje

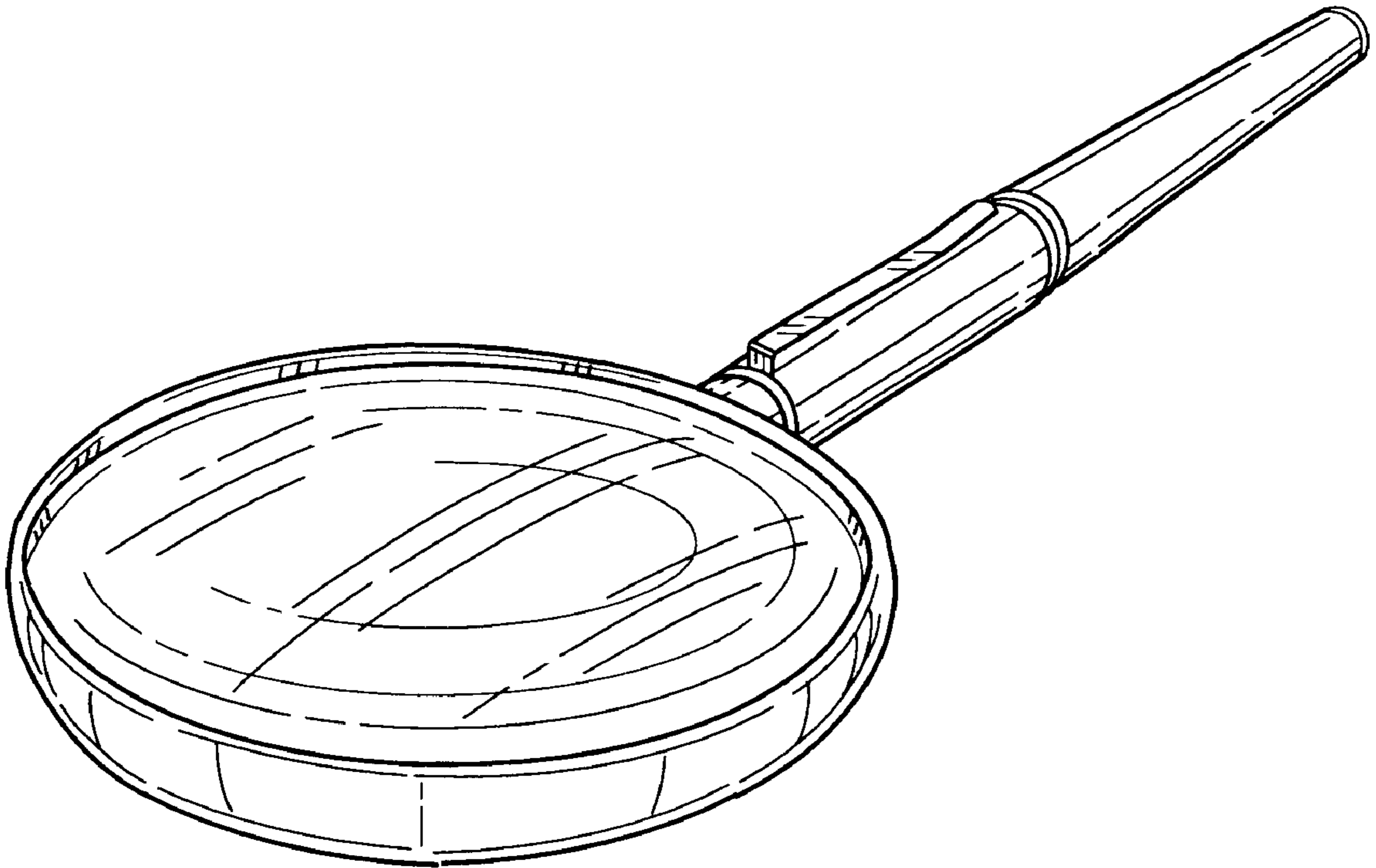
(57) **CLAIM**

The ornamental design for a combination pen and magnifier, substantially as shown.

**DESCRIPTION**

FIG. 1 is an isometric view from the front of a combination pen and magnifier incorporating the design; FIG. 2 is a right-side view thereof; FIG. 3 is a left-side view thereof; FIG. 4 is a top plan view thereof; FIG. 5 is a bottom plan view thereof; FIG. 6 is a front view thereof; and, FIG. 7 is a rear view thereof.

**1 Claim, 4 Drawing Sheets**



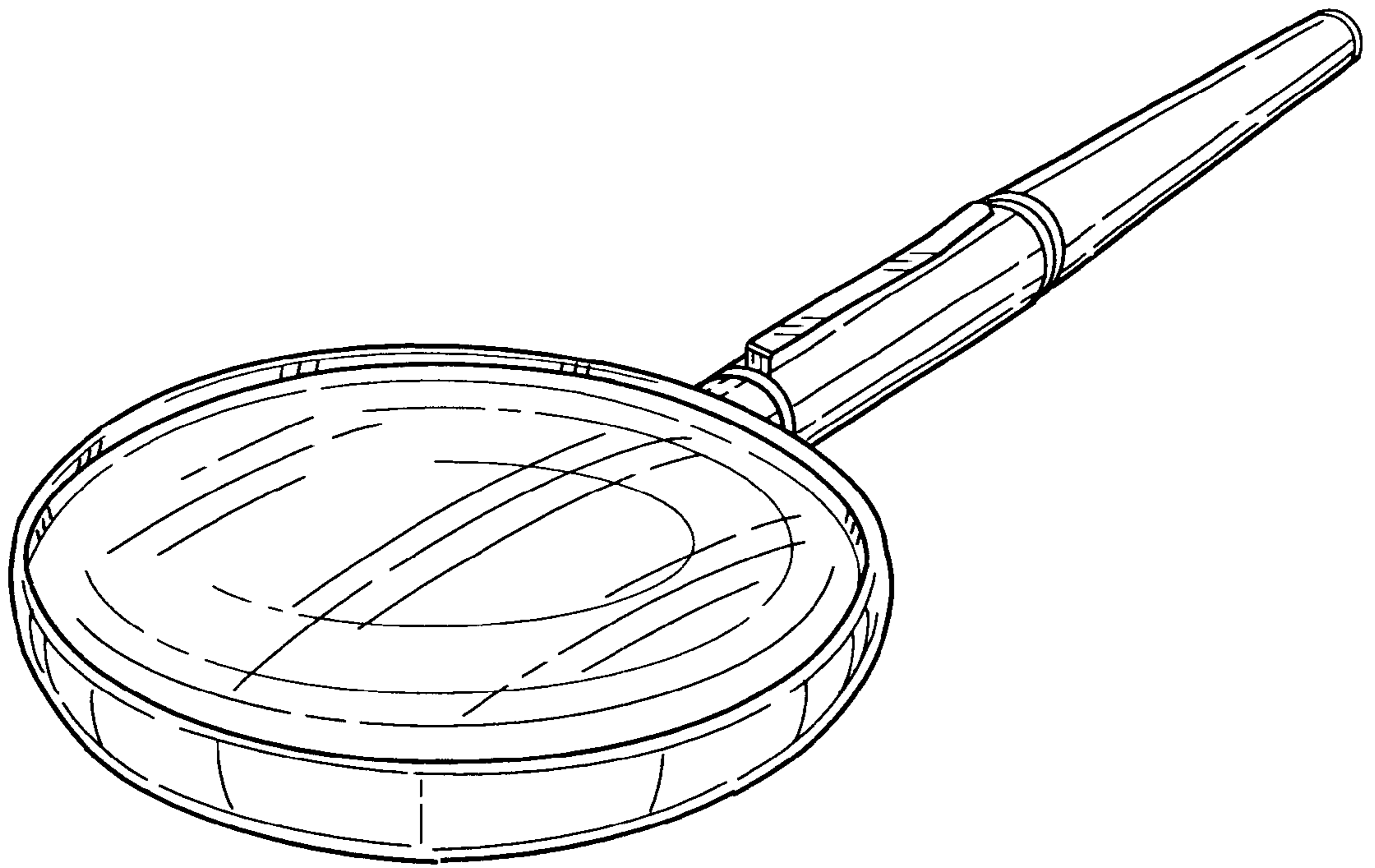


FIG. 1

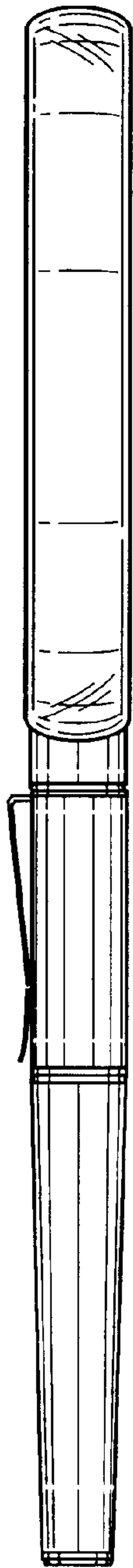


FIG. 2

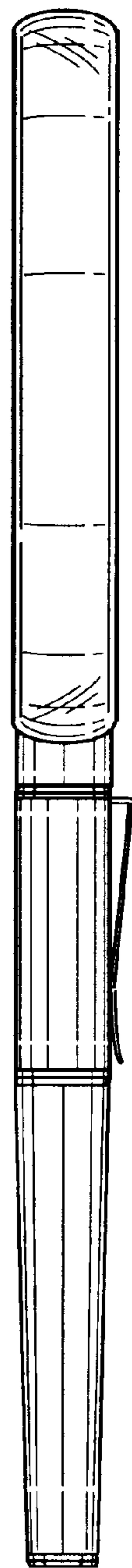


FIG. 3

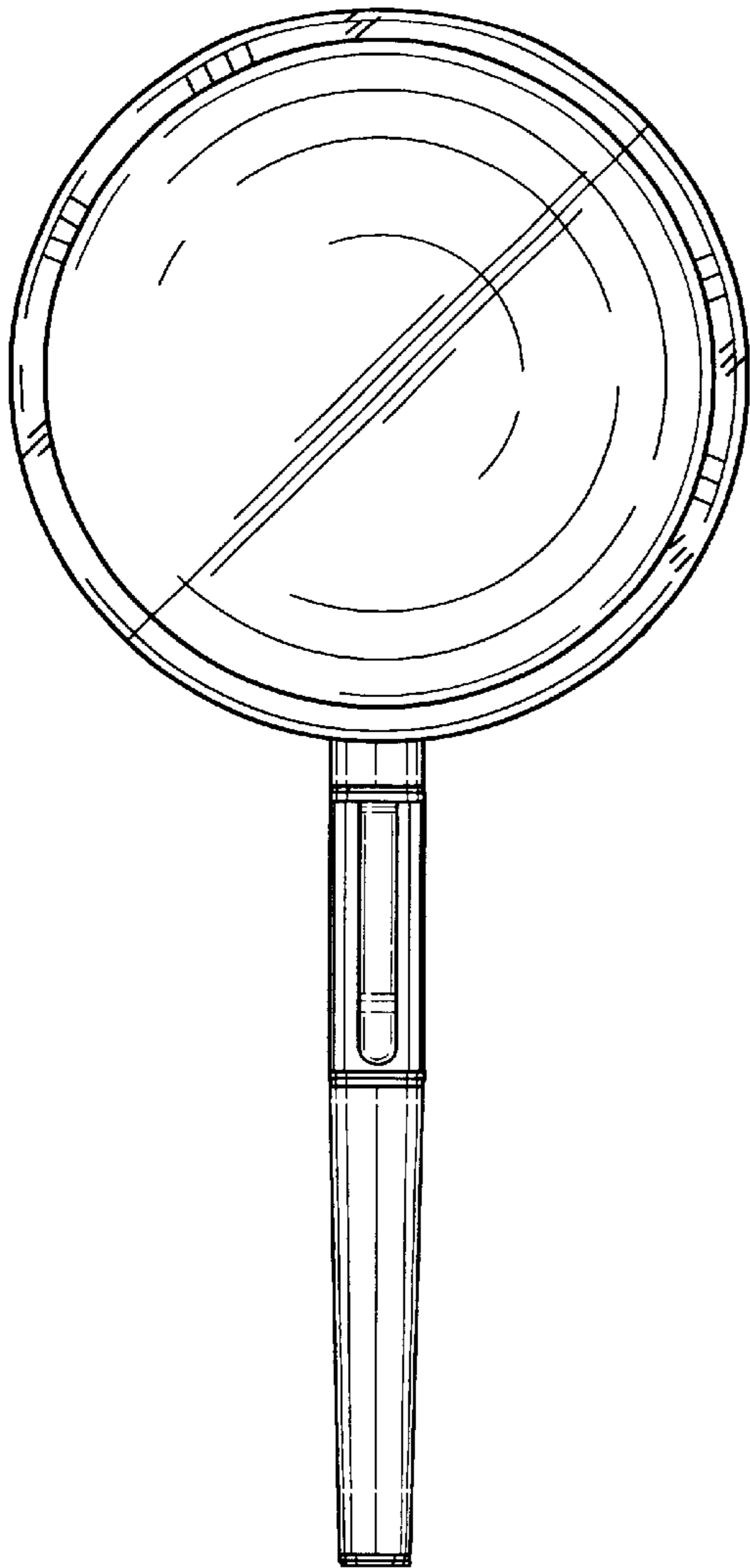


FIG. 4

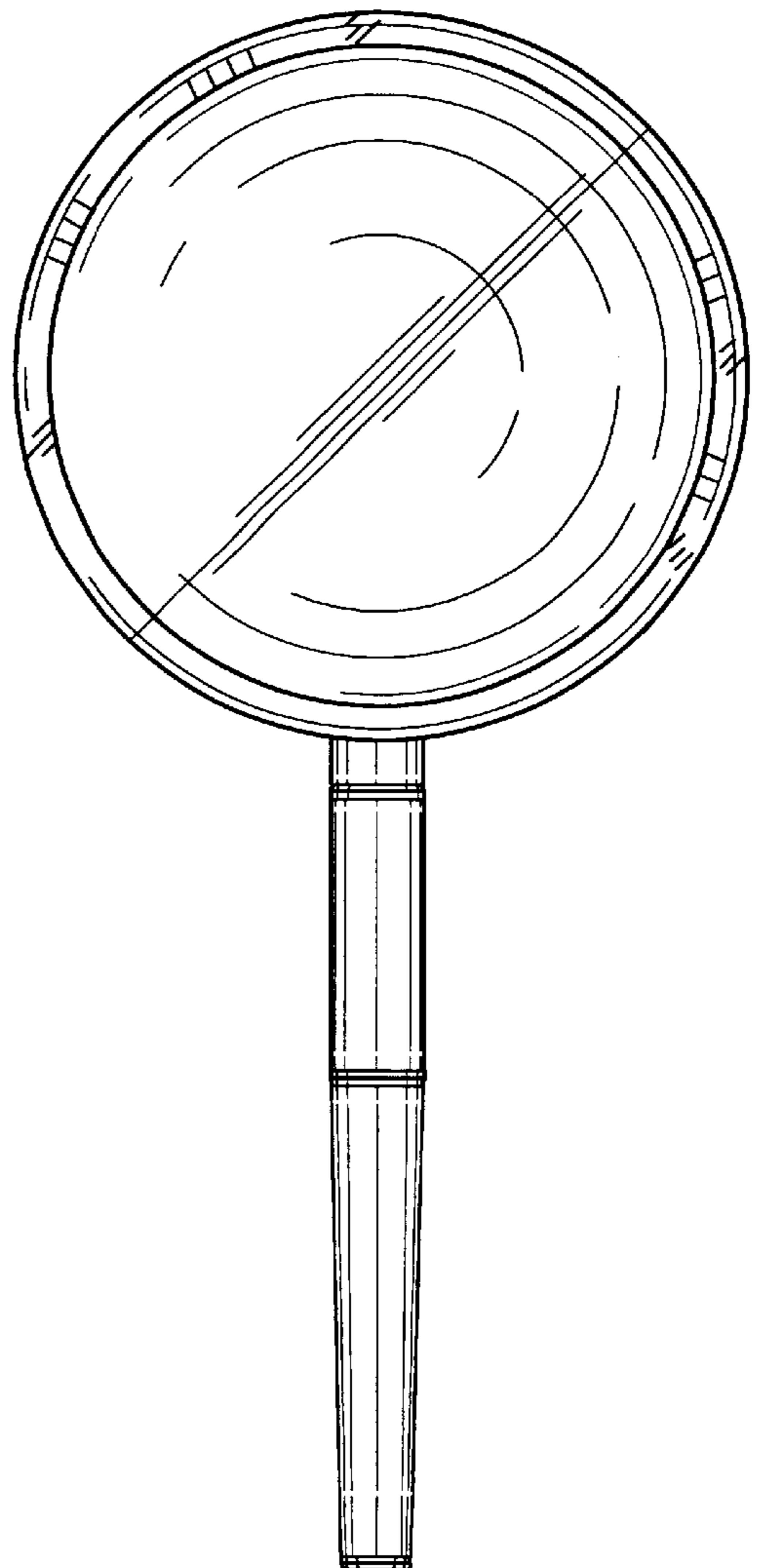


FIG. 5

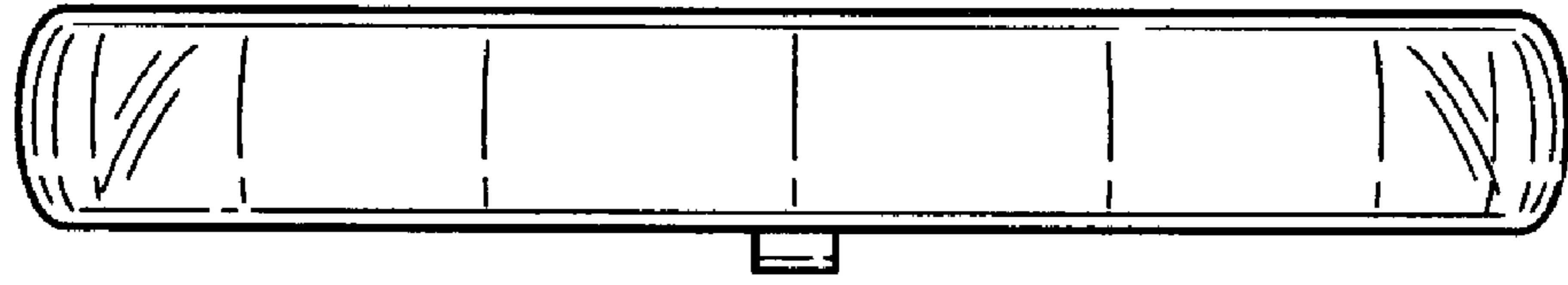


FIG. 6

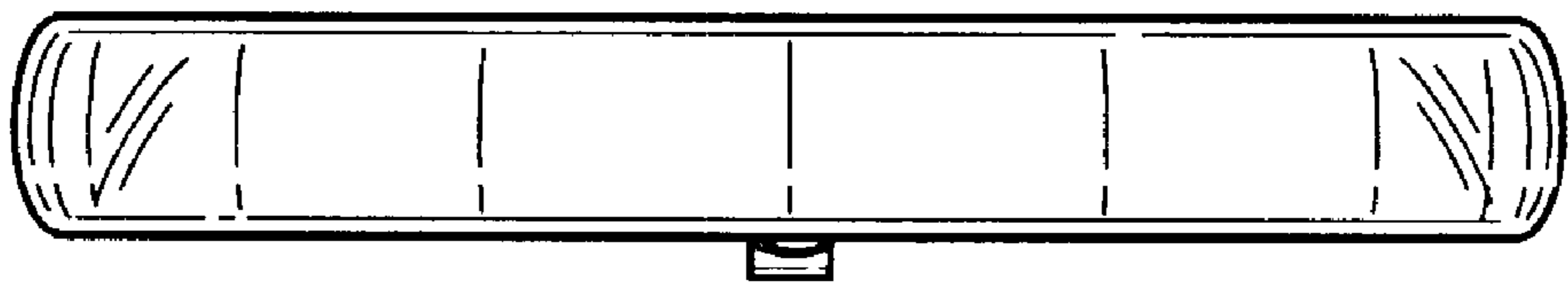


FIG. 7