



US00D452974B1

(12) **United States Design Patent**
Kapur et al.

(10) **Patent No.:** **US D452,974 S**

(45) **Date of Patent:** **** Jan. 15, 2002**

(54) **FASTENER FOR A FOLDER**

4,577,985 A * 3/1986 Beyer 402/22

(75) Inventors: **Sumir Kapur**, Oak Park; **Scott Kouri**,
Chicago; **John Bennett Freese**,
Evanston, all of IL (US)

* cited by examiner

Primary Examiner—Paula A. Mortimer

(74) *Attorney, Agent, or Firm*—Pennie & Edmonds LLP

(73) Assignee: **ACCO Brands, Inc.**, Lincolnshire, IL
(US)

(57) **CLAIM**

(**) Term: **14 Years**

The ornamental design for a fastener for a folder, as shown
and described.

(21) Appl. No.: **29/121,495**

DESCRIPTION

(22) Filed: **Apr. 10, 2000**

FIG. 1 is a top perspective view of a fastener for a folder
showing an embodiment of our new design;

(51) **LOC (7) Cl.** **19-04**

FIG. 2 is a front view thereof;

(52) **U.S. Cl.** **D19/32**

FIG. 3 is a back view thereof;

(58) **Field of Search** D19/32; 402/2,
402/4, 6, 19, 20, 21, 22, 26, 30, 33, 34,
68, 71, 80 P, 75; 25/16 R, 16 PB

FIG. 4 is a left side view thereof;

FIG. 5 is a right side view thereof;

FIG. 6 is a top view thereof;

FIG. 7 is a bottom view thereof; and,

FIG. 8 is a perspective view of an embodiment attached to
a folder.

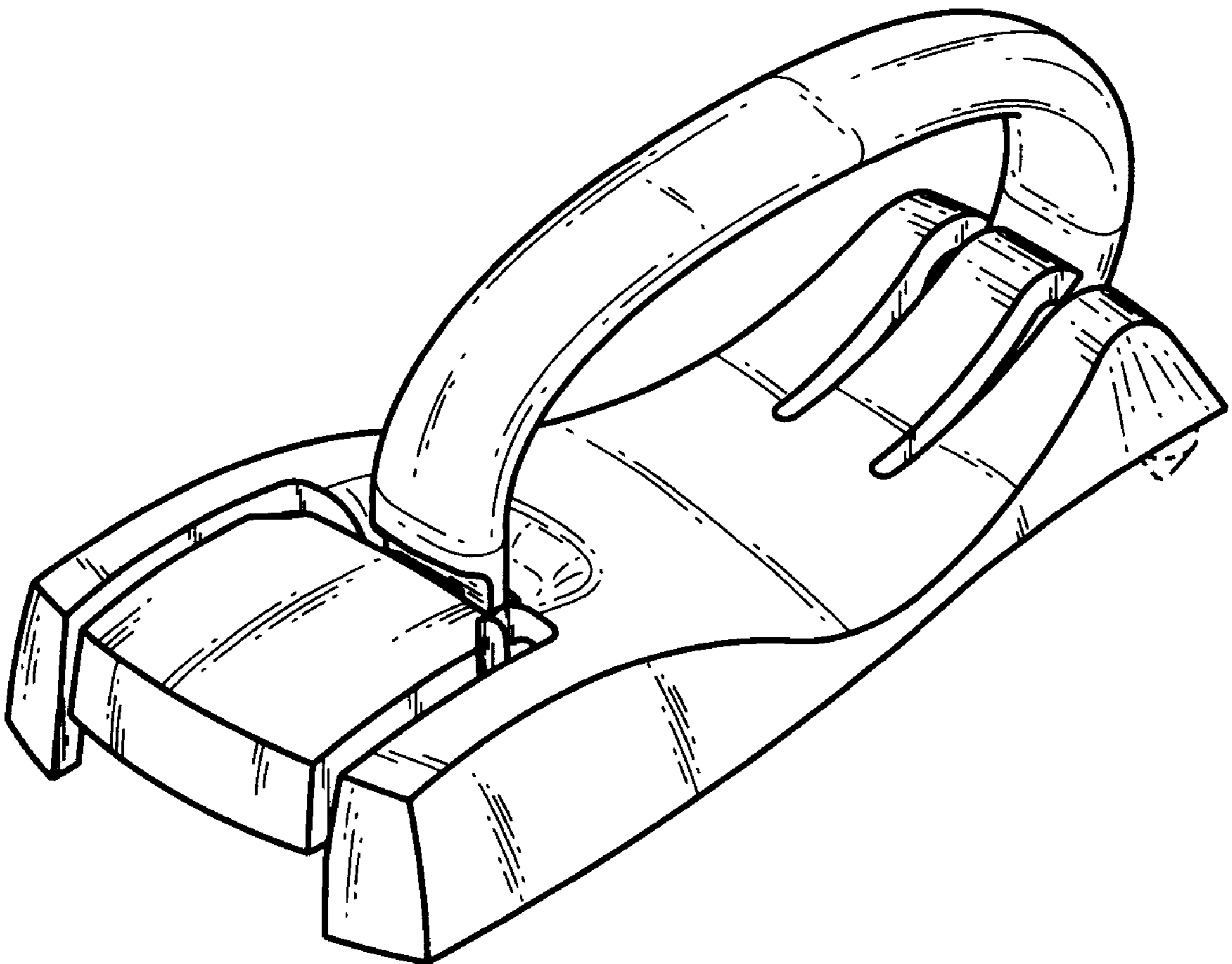
(56) **References Cited**

The portions shown in phantom lines are not part of the
claimed invention, but are included to show environment.

U.S. PATENT DOCUMENTS

- D136,798 S * 12/1943 Seelman D19/32
- 3,950,107 A * 4/1976 Seaborn 402/22
- 3,995,961 A * 12/1976 Dorfman et al. 402/38

1 Claim, 5 Drawing Sheets



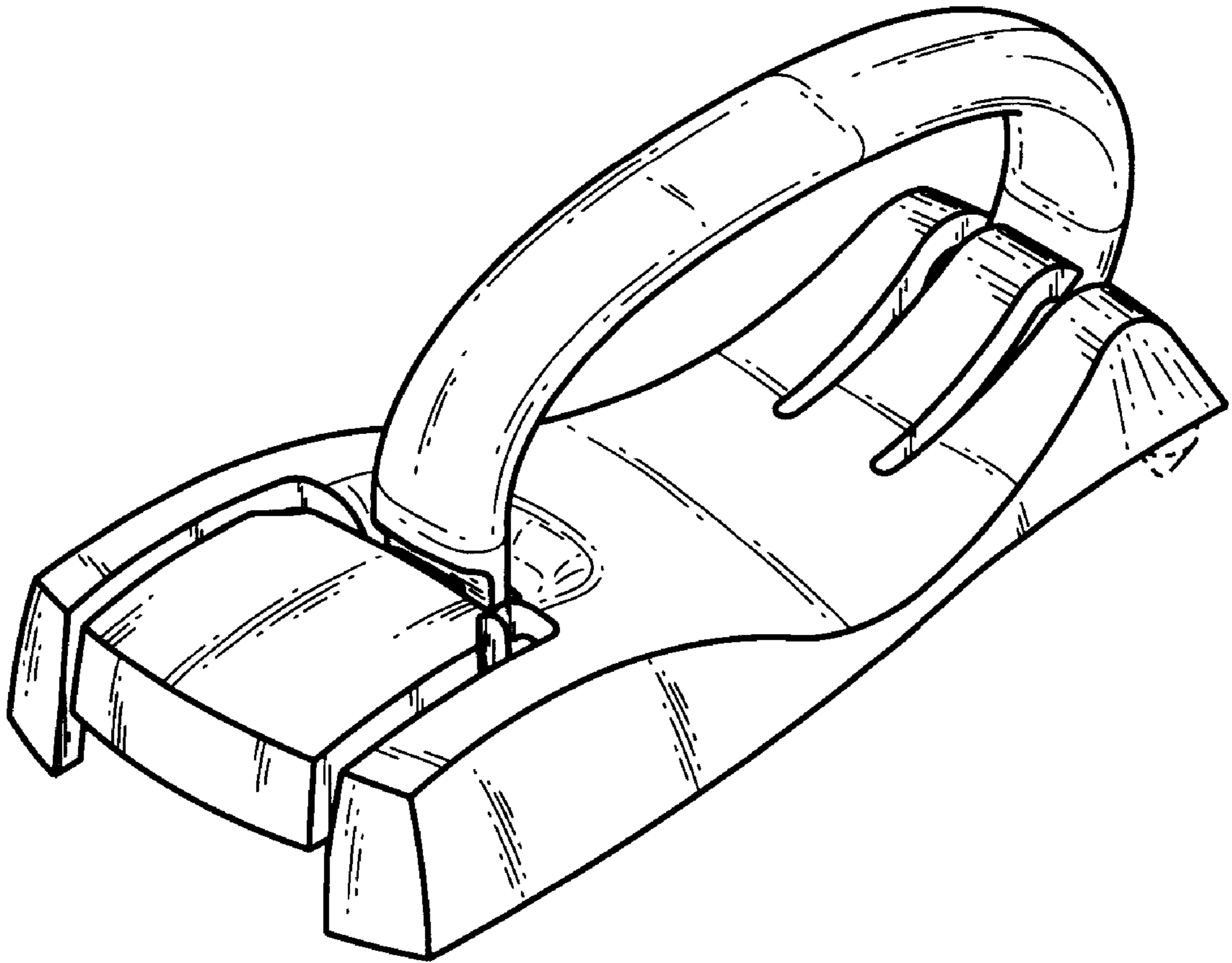


Fig. 1

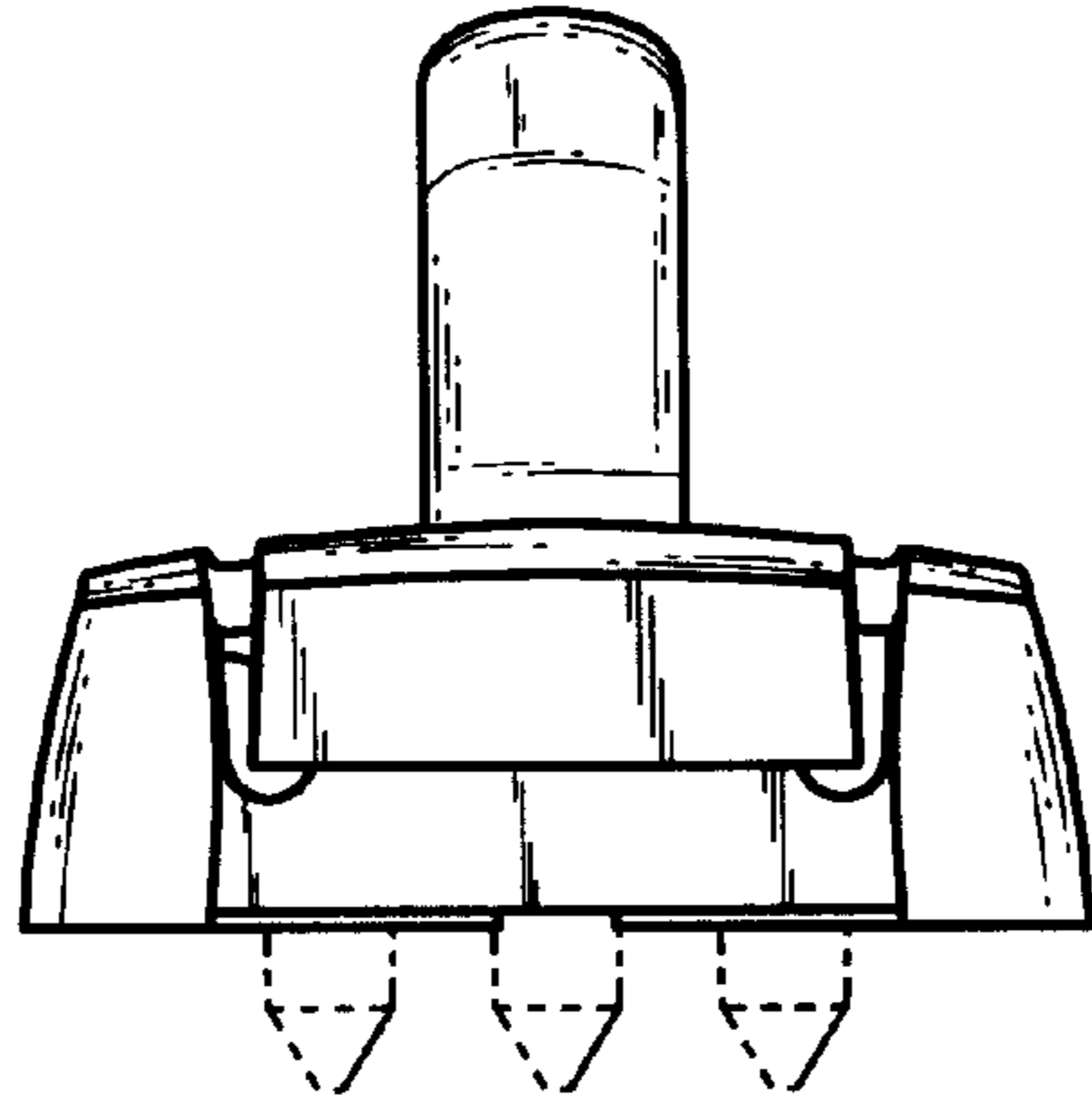


Fig. 2

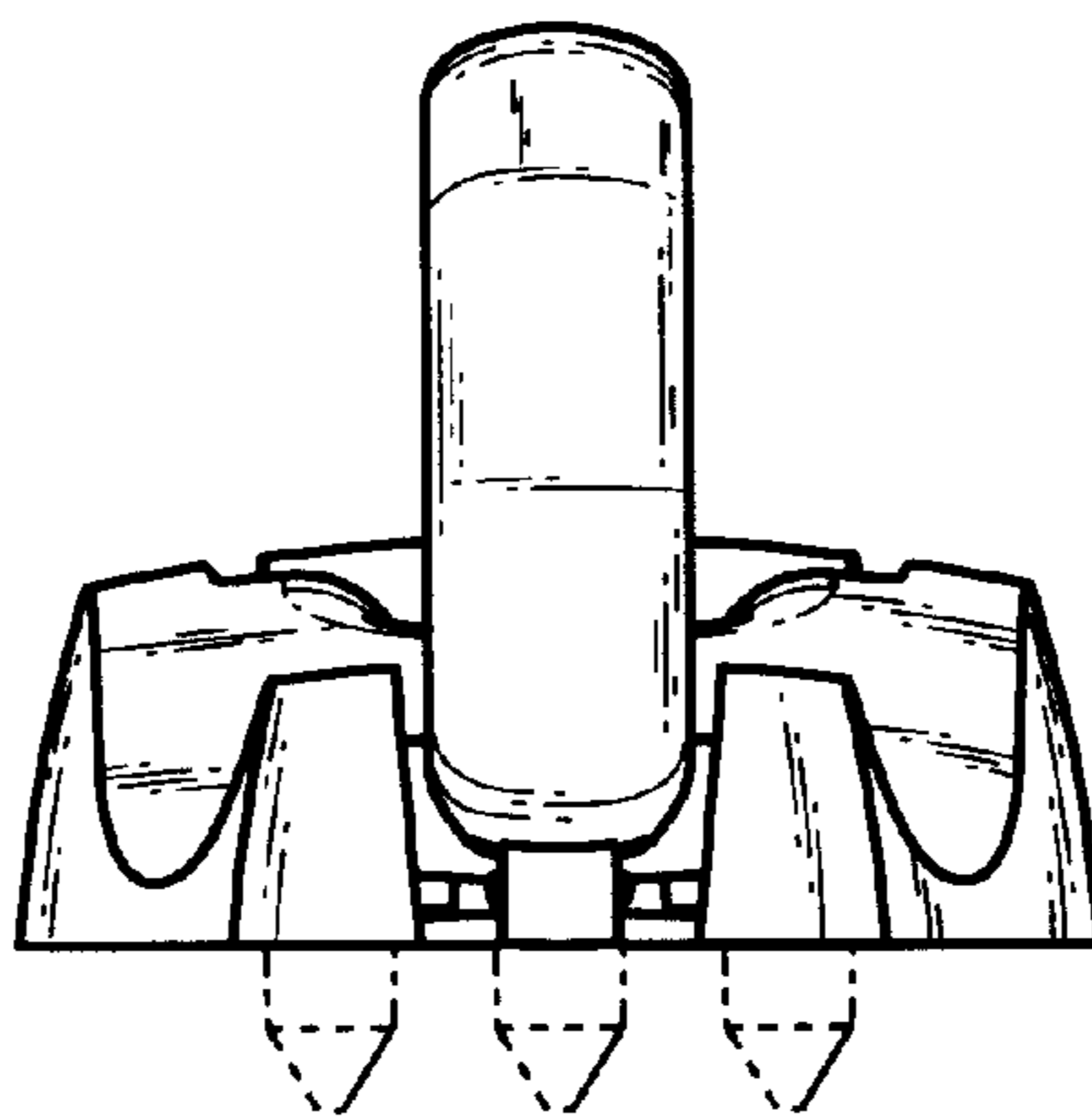


Fig. 3

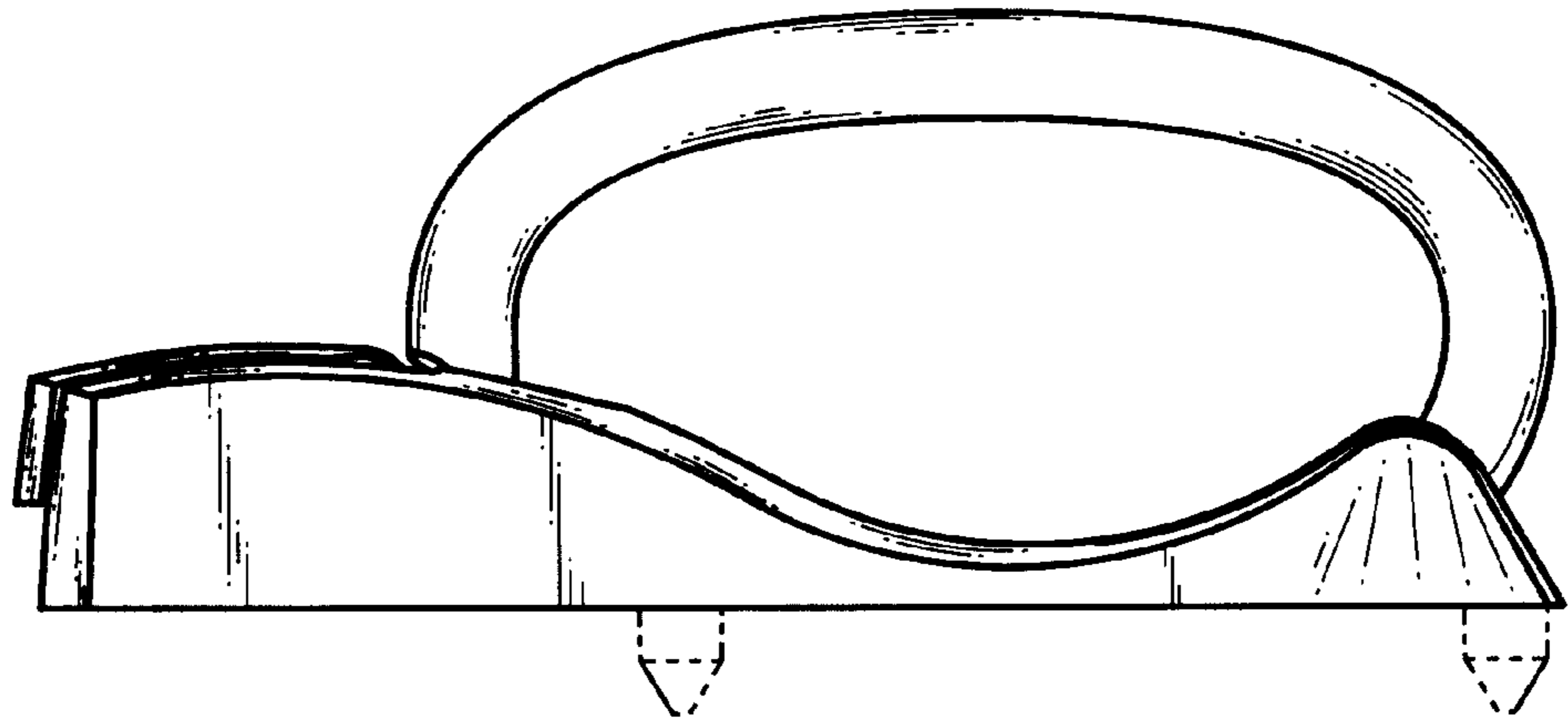


Fig. 4

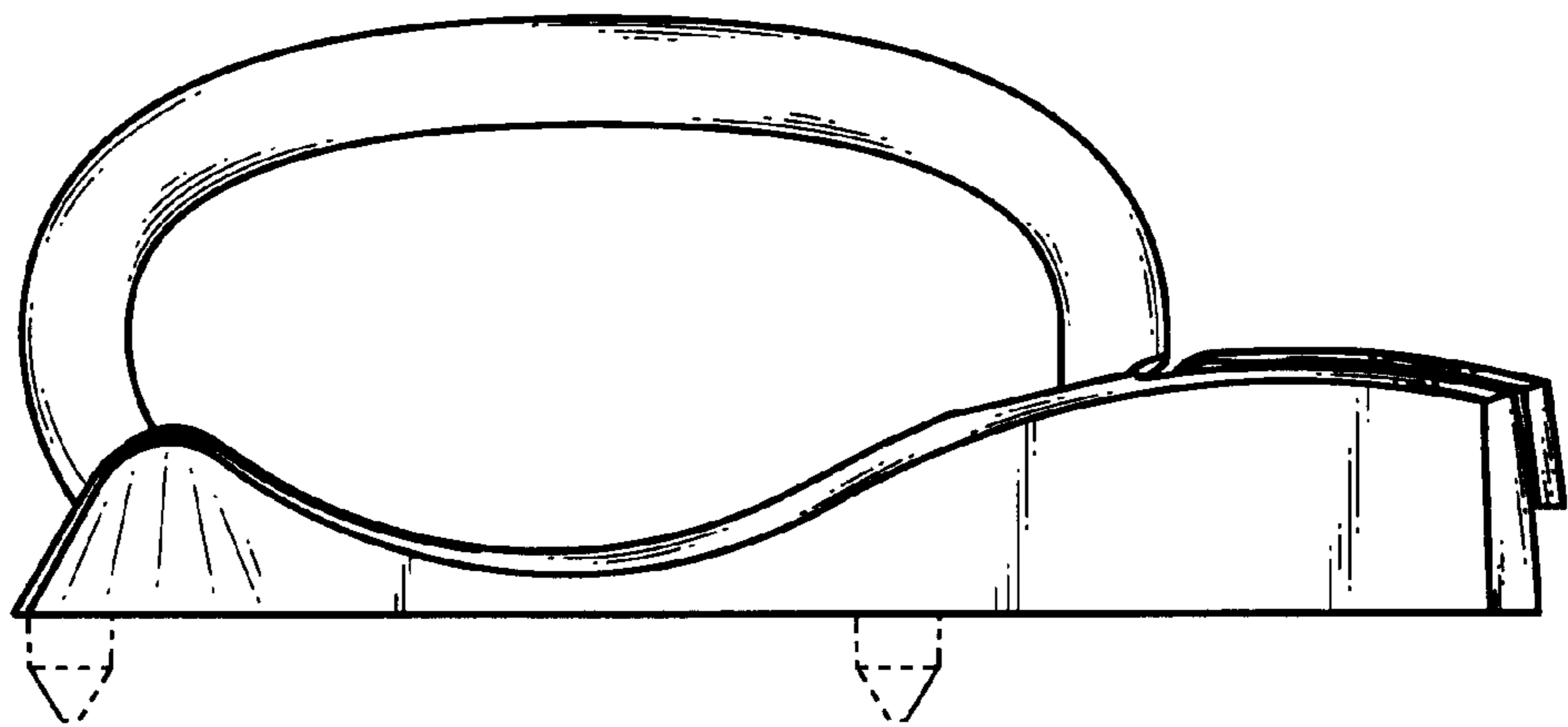


Fig. 5

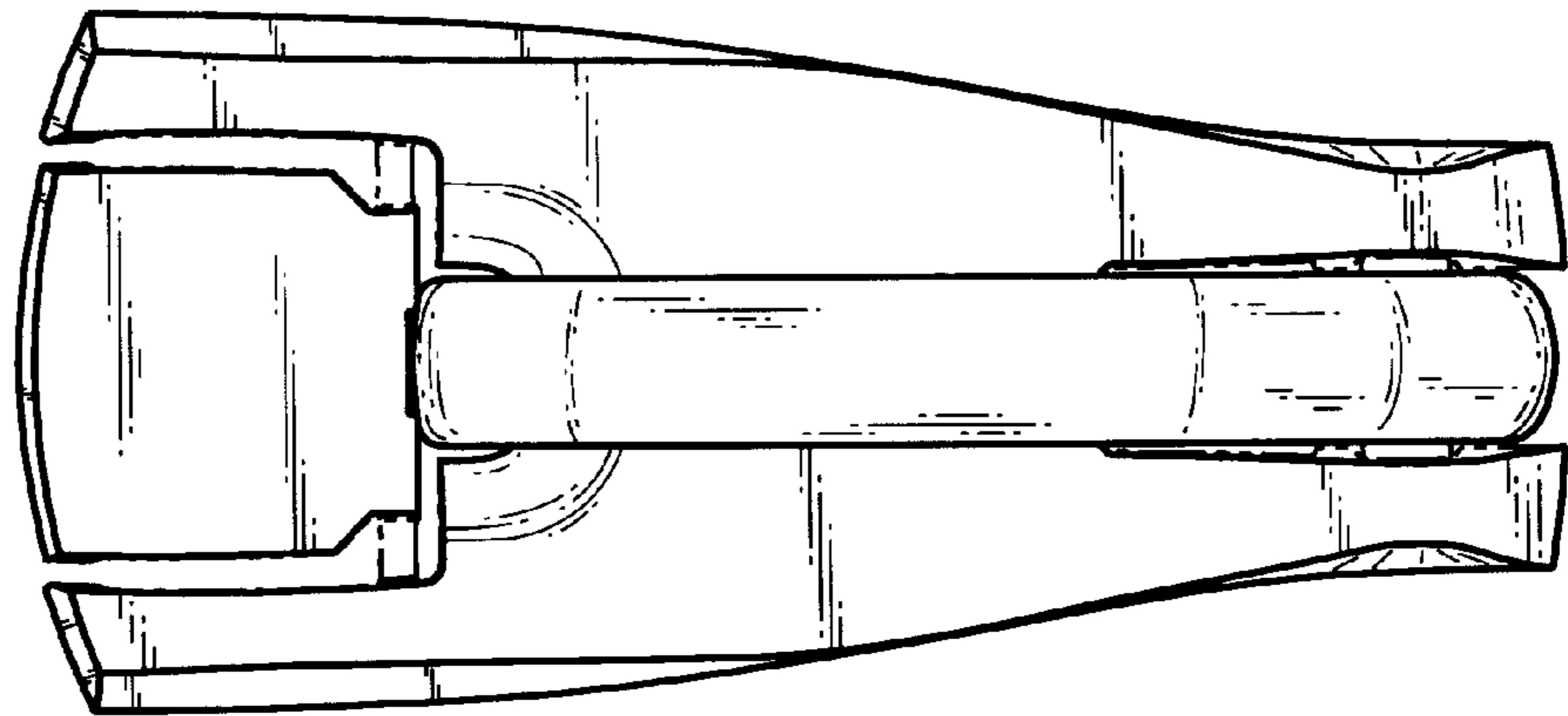


Fig. 6

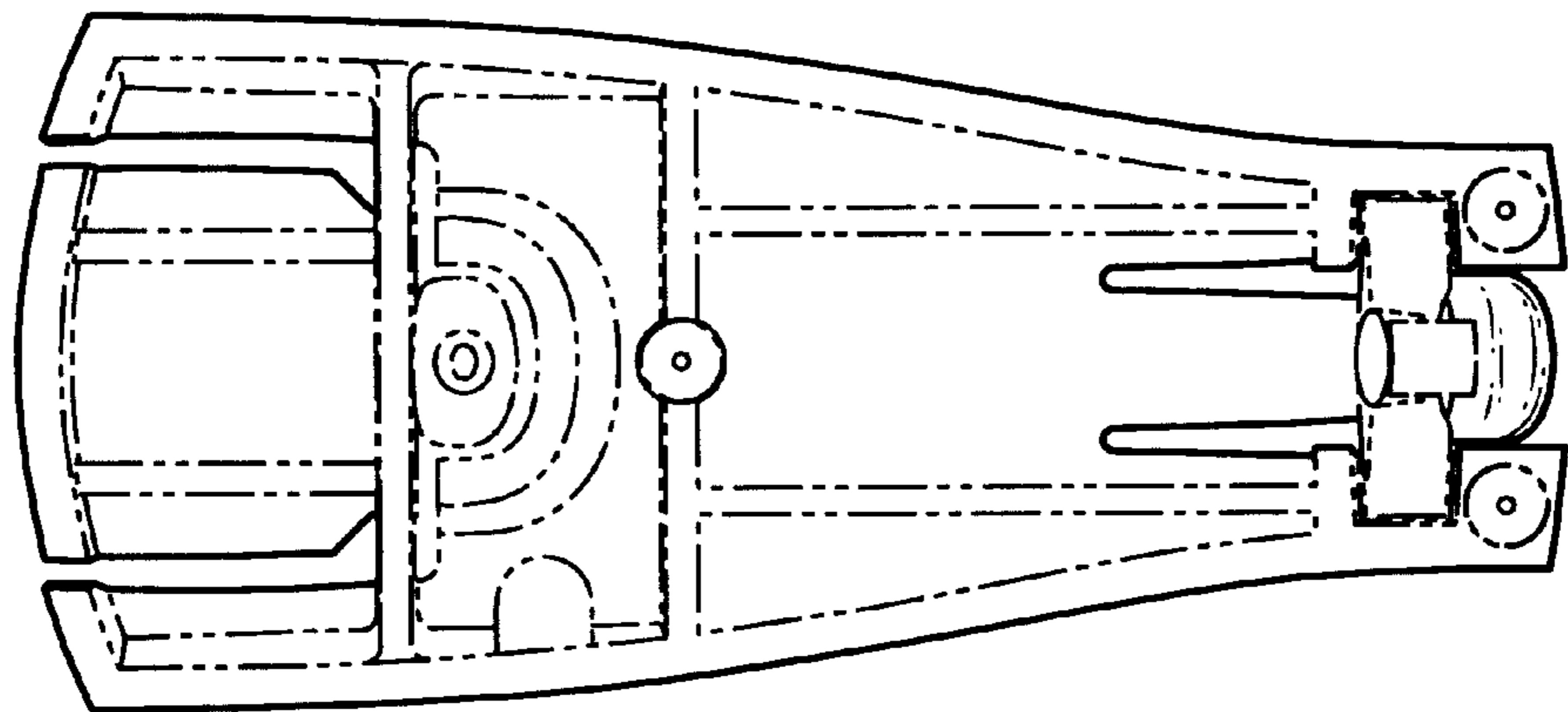


Fig. 7

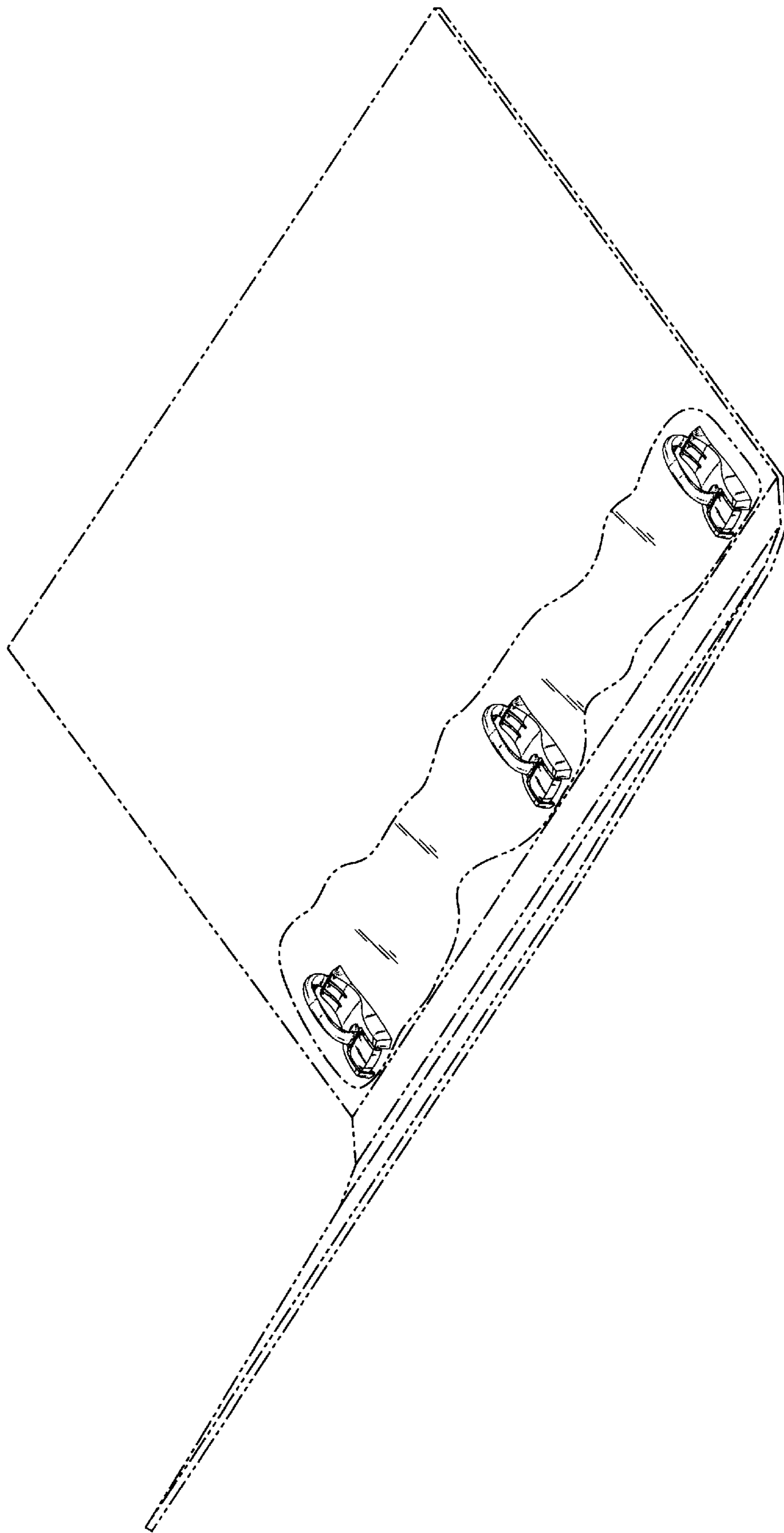


Fig. 8