



US00D452973B1

(12) **United States Design Patent**
Kuwada

(10) **Patent No.:** **US D452,973 S**

(45) **Date of Patent:** **** Jan. 15, 2002**

(54) **BANK NOTE COUNTER**

D445,245 S * 7/2001 Naito D18/3.3

(75) Inventor: **Masao Kuwada**, Hyogo-Ken (JP)

* cited by examiner

(73) Assignee: **Glory Kogyo Kabushiki Kaisha**,
Hyogo-ken (JP)

Primary Examiner—Paula A. Mortimer
(74) *Attorney, Agent, or Firm*—Wenderoth, Lind & Ponack,
L.L.P.

(**) Term: **14 Years**

(57) **CLAIM**

(21) Appl. No.: **29/144,460**

The ornamental design for a bank note counter, as shown.

(22) Filed: **Jul. 5, 2001**

DESCRIPTION

(30) **Foreign Application Priority Data**

Jan. 5, 2001 (JP) 12-000022

(51) **LOC (7) Cl.** **18-01**

(52) **U.S. Cl.** **D18/3.3**

(58) **Field of Search** D18/3.1, 3.2, 3.3;
209/534, 657; 235/379; 271/10.01; 453/3,
10, 61; 382/135; D10/97

FIG. 1 is a front perspective view of a bank note counter according to the design of the present invention; FIG. 2 is a rear perspective view of a bank note counter according to the design of the present invention; FIG. 3 is a front elevation view of a bank note counter according to the design of the present invention; FIG. 4 is a rear elevation view of a bank note counter according to the design of the present invention; FIG. 5 is a top plan view of a bank note counter according to the design of the present invention; FIG. 6 is a bottom plan view of a bank note counter according to the design of the present invention; FIG. 7 is a right side elevation view of a bank note counter according to the design of the present invention; and, FIG. 8 is a left side elevation view of a bank note counter according to the design of the present invention.

(56) **References Cited**

U.S. PATENT DOCUMENTS

D279,577 S * 7/1985 Kajita D18/3.3
4,694,963 A * 9/1987 Takesako 209/534
D369,984 S * 5/1996 Larsen D10/97
D377,766 S * 2/1997 Hidaka et al. D18/3.3
D427,623 S * 7/2000 Kuwada et al. D18/3.1
D439,604 S * 3/2001 Takagi et al. D18/3.3

1 Claim, 4 Drawing Sheets

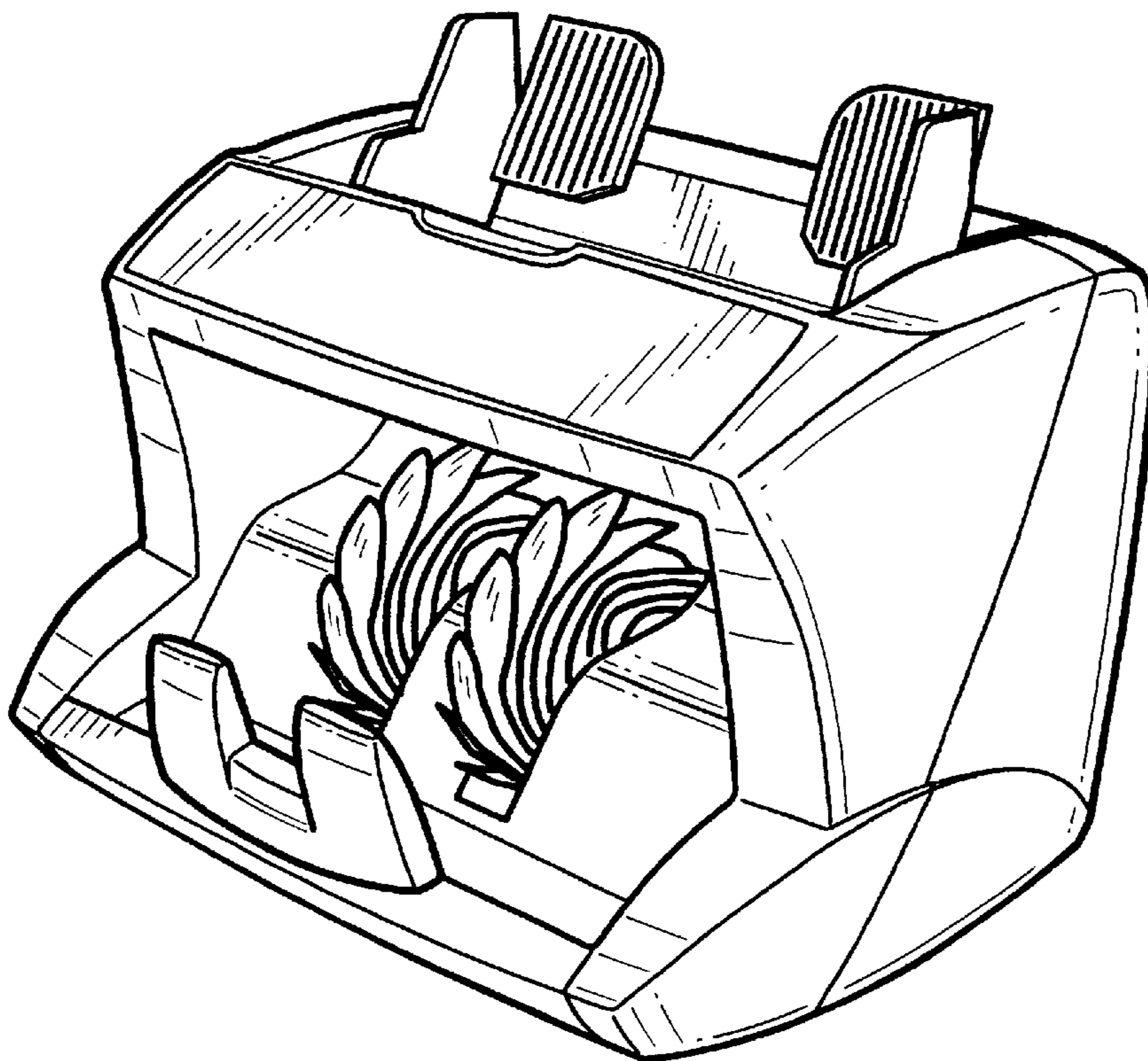


FIG. 1

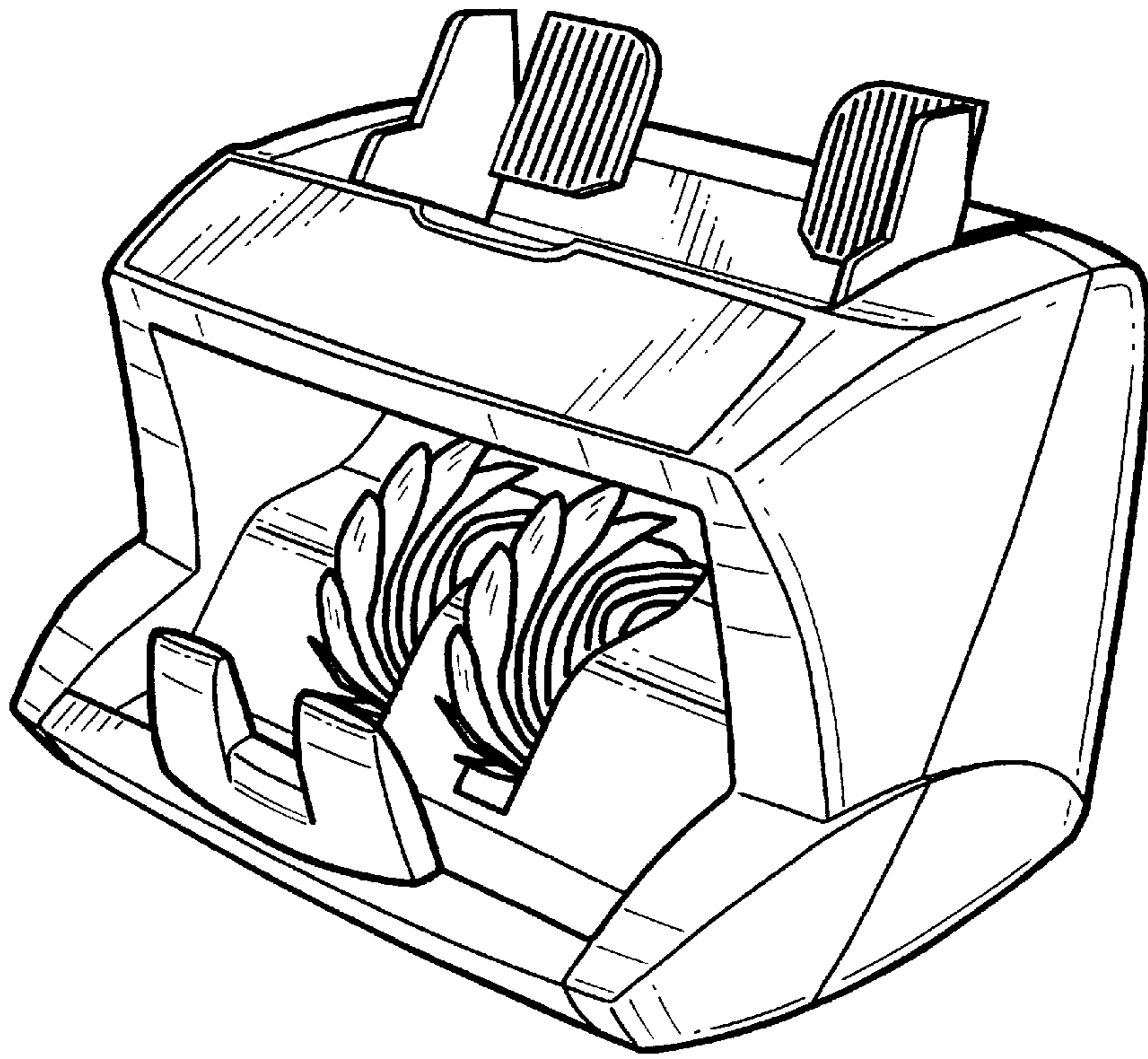


FIG. 2

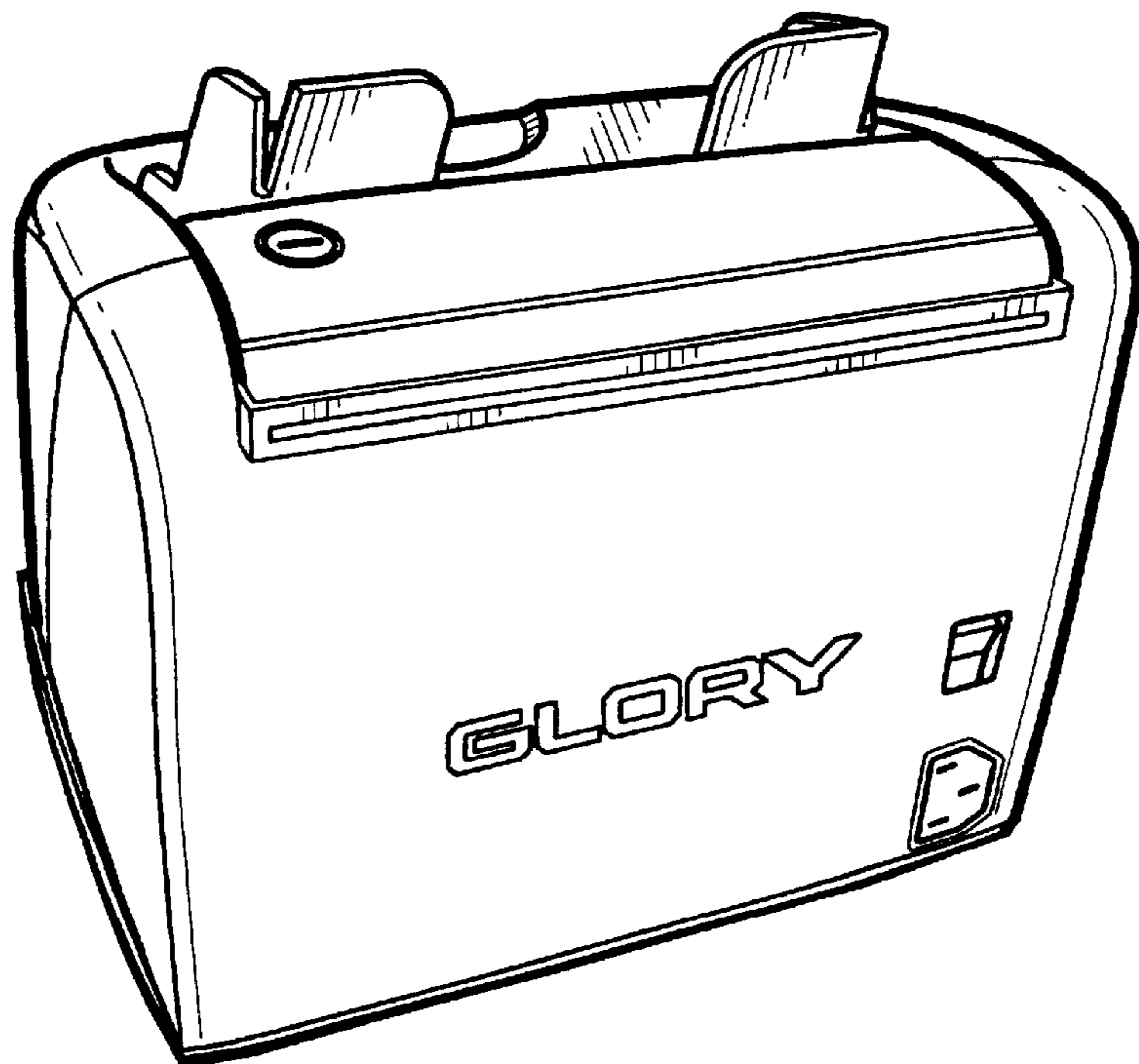


FIG. 3

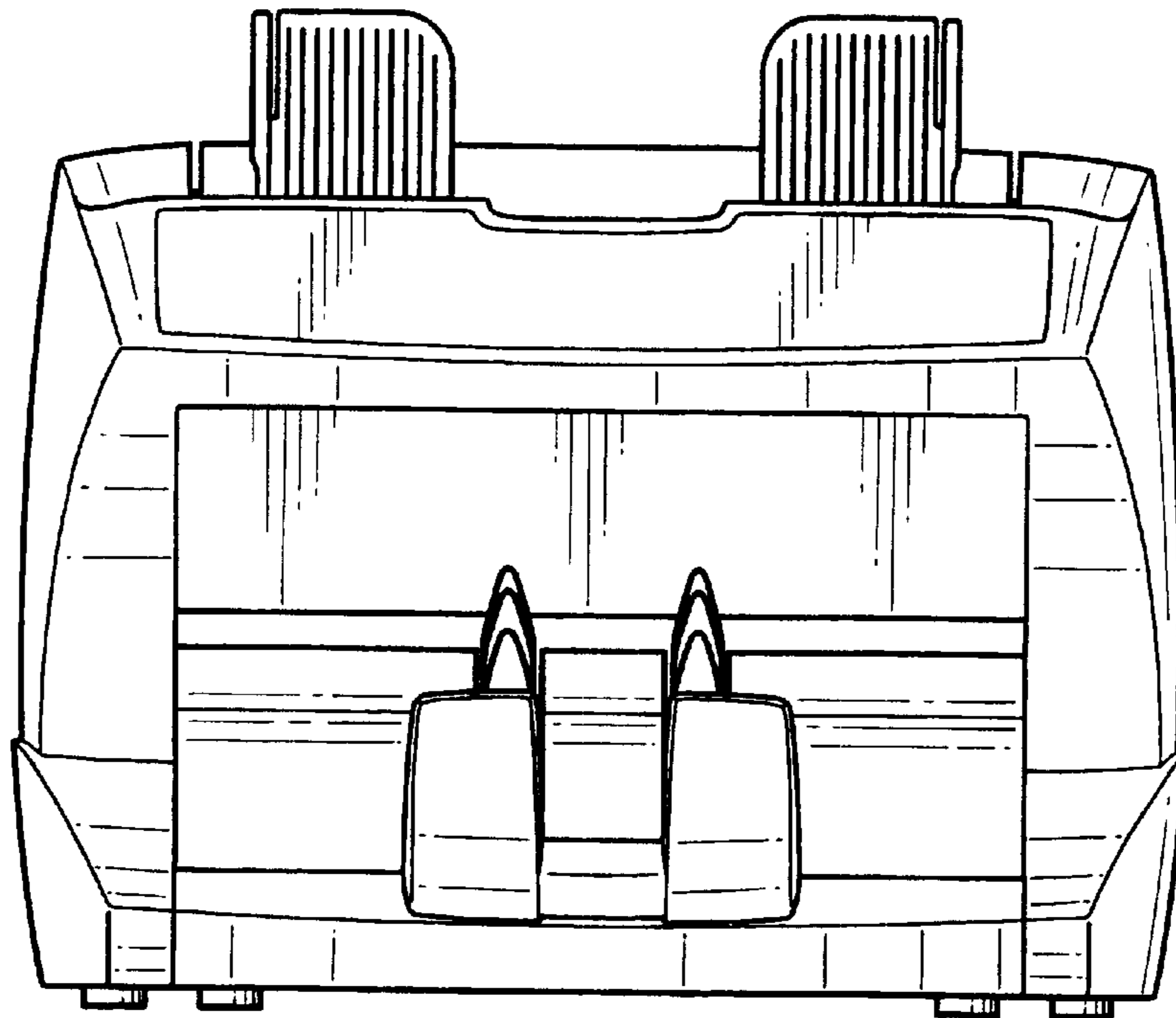


FIG. 4

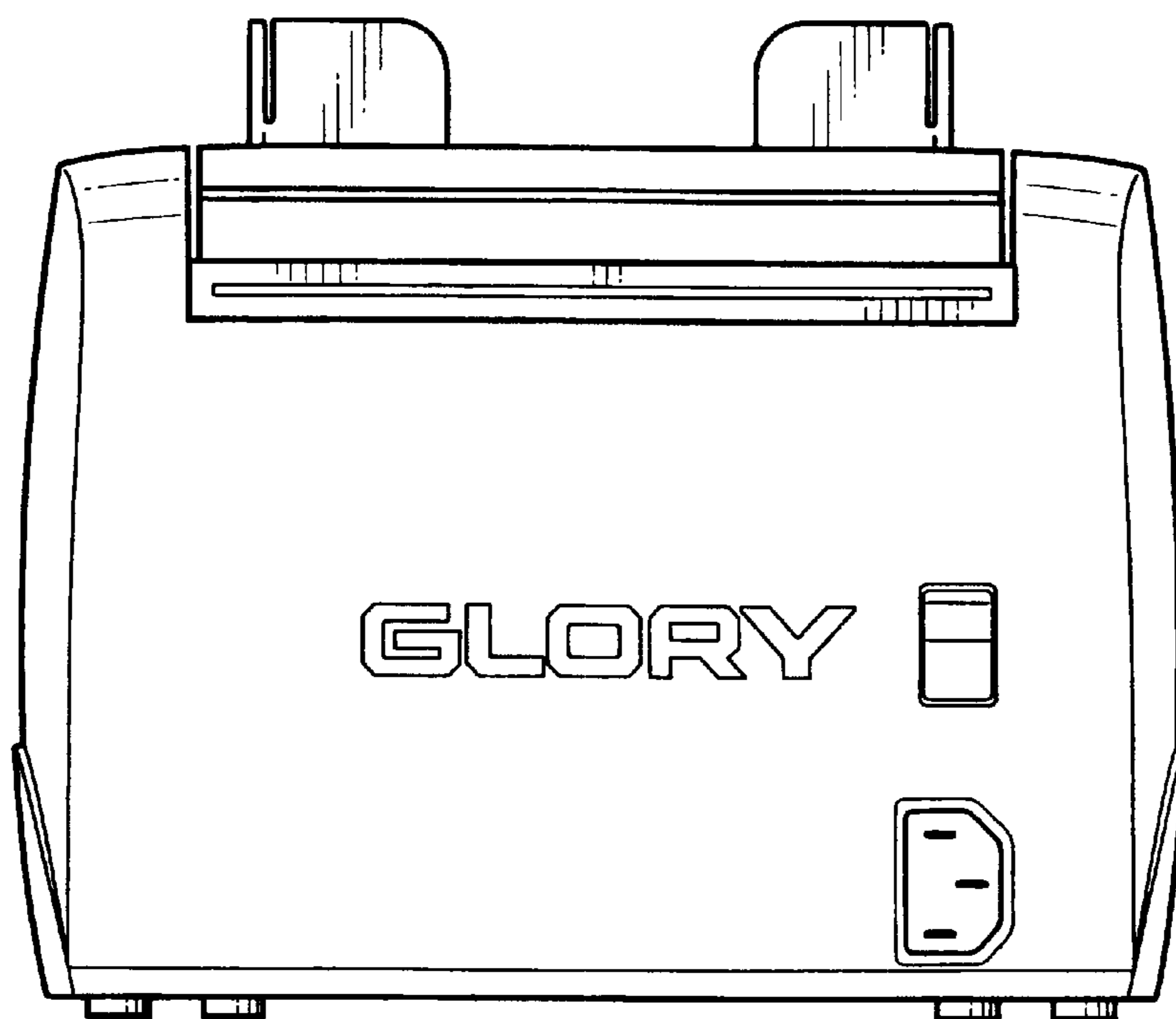


FIG. 5

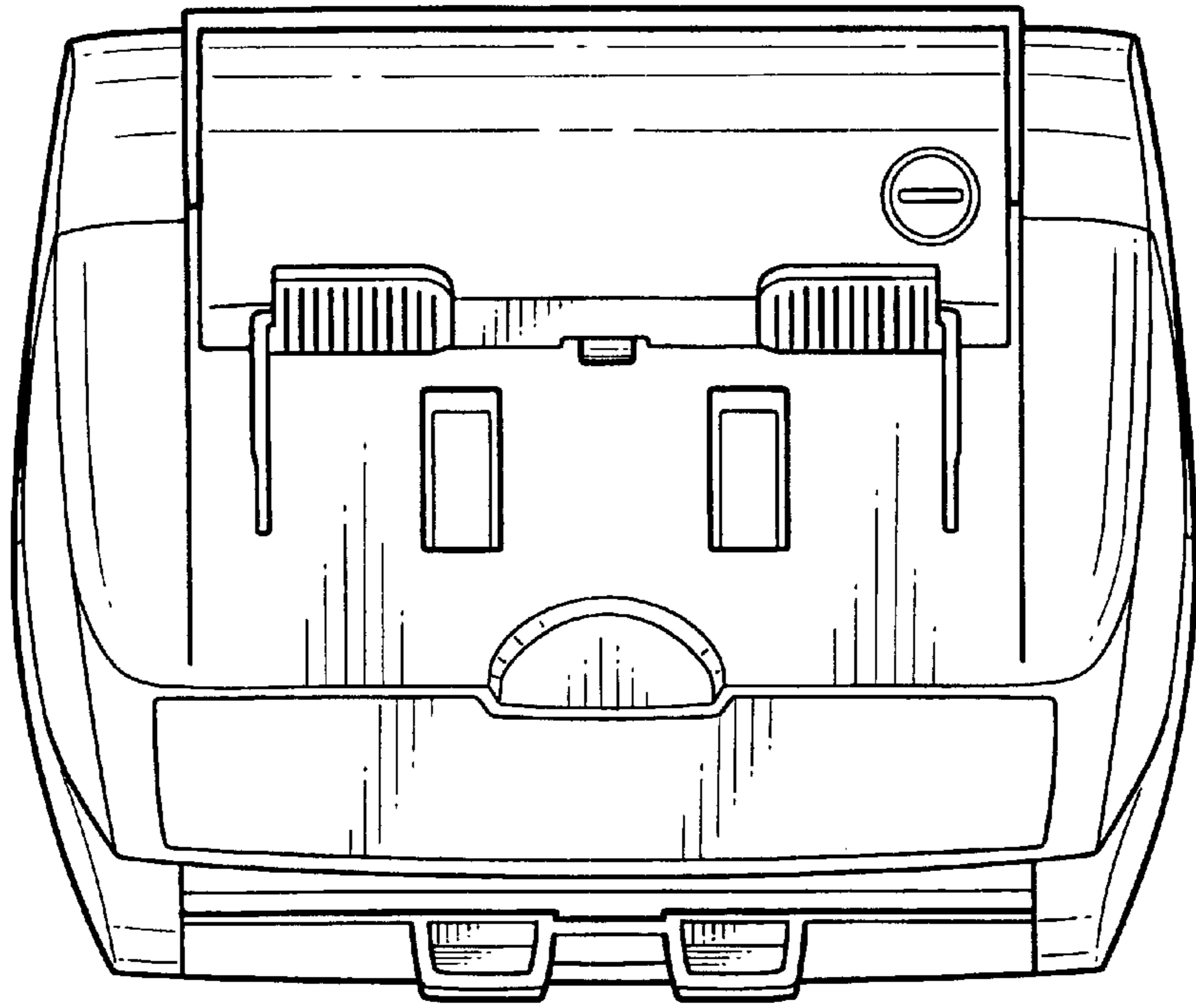


FIG. 6

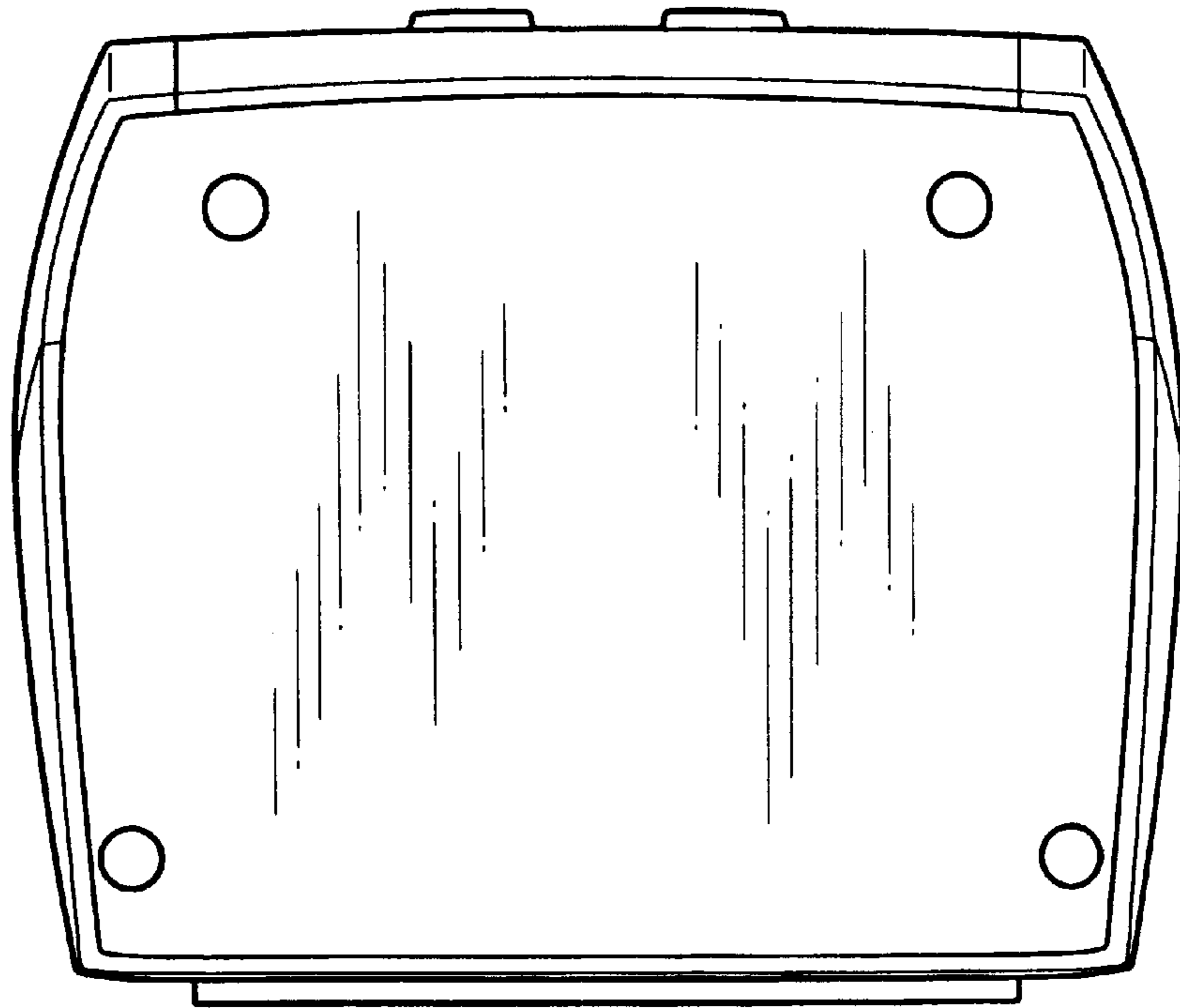


FIG. 7

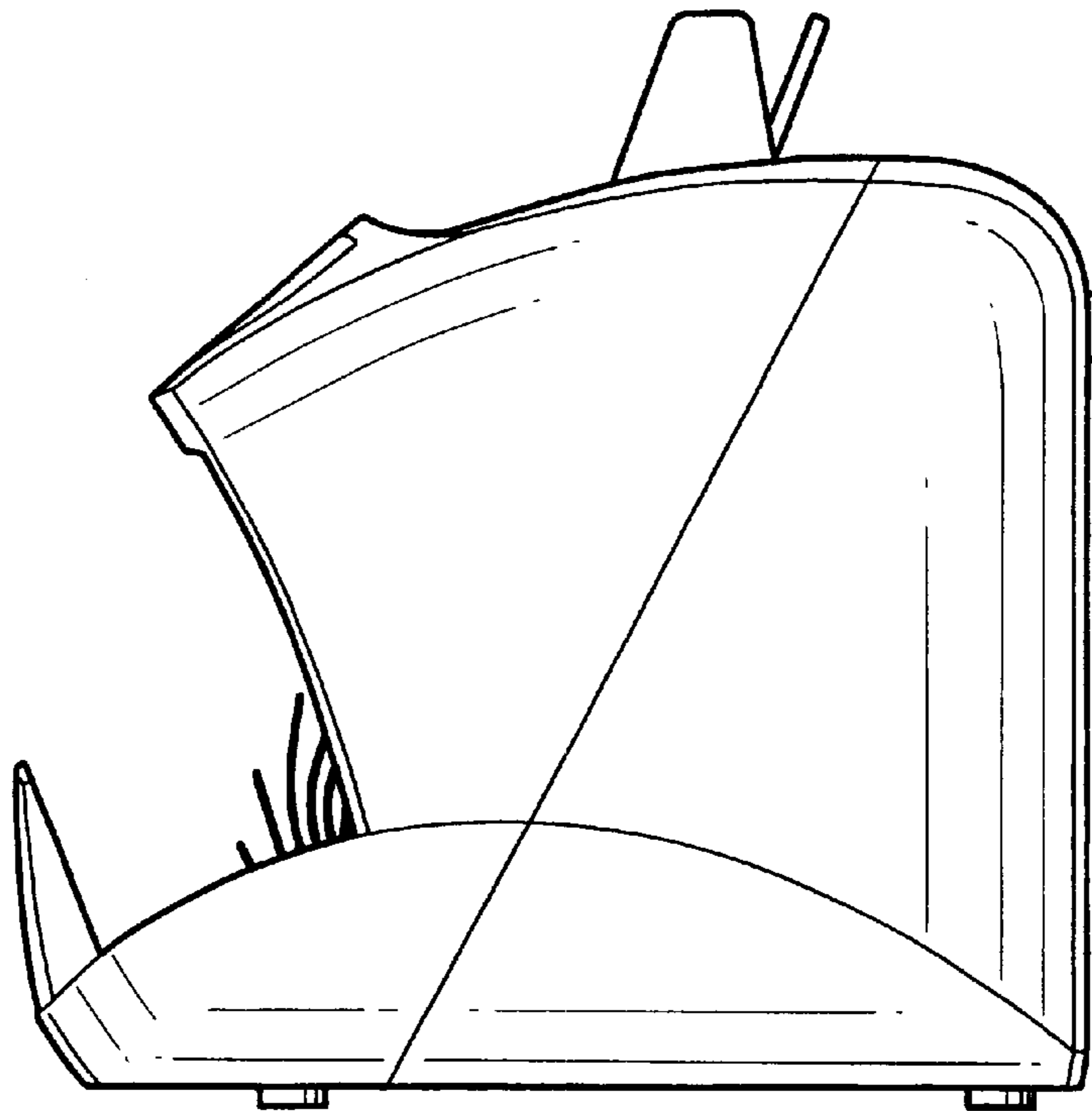


FIG. 8

