



US00D452972B1

(12) **United States Design Patent**
Suzuki et al.

(10) **Patent No.:** **US D452,972 S**

(45) **Date of Patent:** **** Jan. 15, 2002**

(54) **LENS SHUTTER CAMERA**

(75) Inventors: **Tatsuya Suzuki; Yasuo Funakoshi,**
both of Tokyo (JP)

(73) Assignee: **Olympus Optical Co., Ltd.,** Tokyo (JP)

(**) Term: **14 Years**

(21) Appl. No.: **29/127,028**

(22) Filed: **Jul. 27, 2000**

Related U.S. Application Data

(62) Division of application No. 29/093,191, filed on Sep. 4, 1998, now Pat. No. Des. 436,978.

(51) **LOC (7) Cl.** **16-05**

(52) **U.S. Cl.** **D16/219; D16/212**

(58) **Field of Search** **D16/200-204,**
D16/208, 209, 211, 212, 218, 219; D20/22,
23; 396/348-350, 448, 535-541

(56) **References Cited**

U.S. PATENT DOCUMENTS

- D59,194 S * 10/1921 Collins D20/22
- 4,556,304 A * 12/1985 Fukuda 396/448
- 4,557,574 A * 12/1985 Kohno et al. 396/448
- D401,259 S * 11/1998 Chapman et al. D16/219

D404,414 S * 1/1999 Yanagisawa et al. D16/209

D415,511 S * 10/1999 Funakoshi et al. D16/209

D429,748 S * 8/2000 Hatakeyama D16/219

* cited by examiner

Primary Examiner—Adir Aronovich

(74) *Attorney, Agent, or Firm*—Hogan & Hartson, LLP.

(57) **CLAIM**

The ornamental design for a lens shutter camera, as shown and described.

DESCRIPTION

FIG. 1 is a front, top and right side perspective view of a lens shutter camera, showing our new design;

FIG. 2 is a top plan view thereof;

FIG. 3 is a front elevational view thereof;

FIG. 4 is a left side elevational view thereof;

FIG. 5 is a right side elevational view thereof;

FIG. 6 is a rear elevational view thereof;

FIG. 7 is a bottom plan view thereof; and,

FIG. 8 is a top plan view thereof with a cover in an opened state, a lens-barrel extended and an electronic flashing unit in a raised state.

The broken portions of a lens shutter camera are illustrated to show the environment only and form no part of the claimed design.

1 Claim, 3 Drawing Sheets

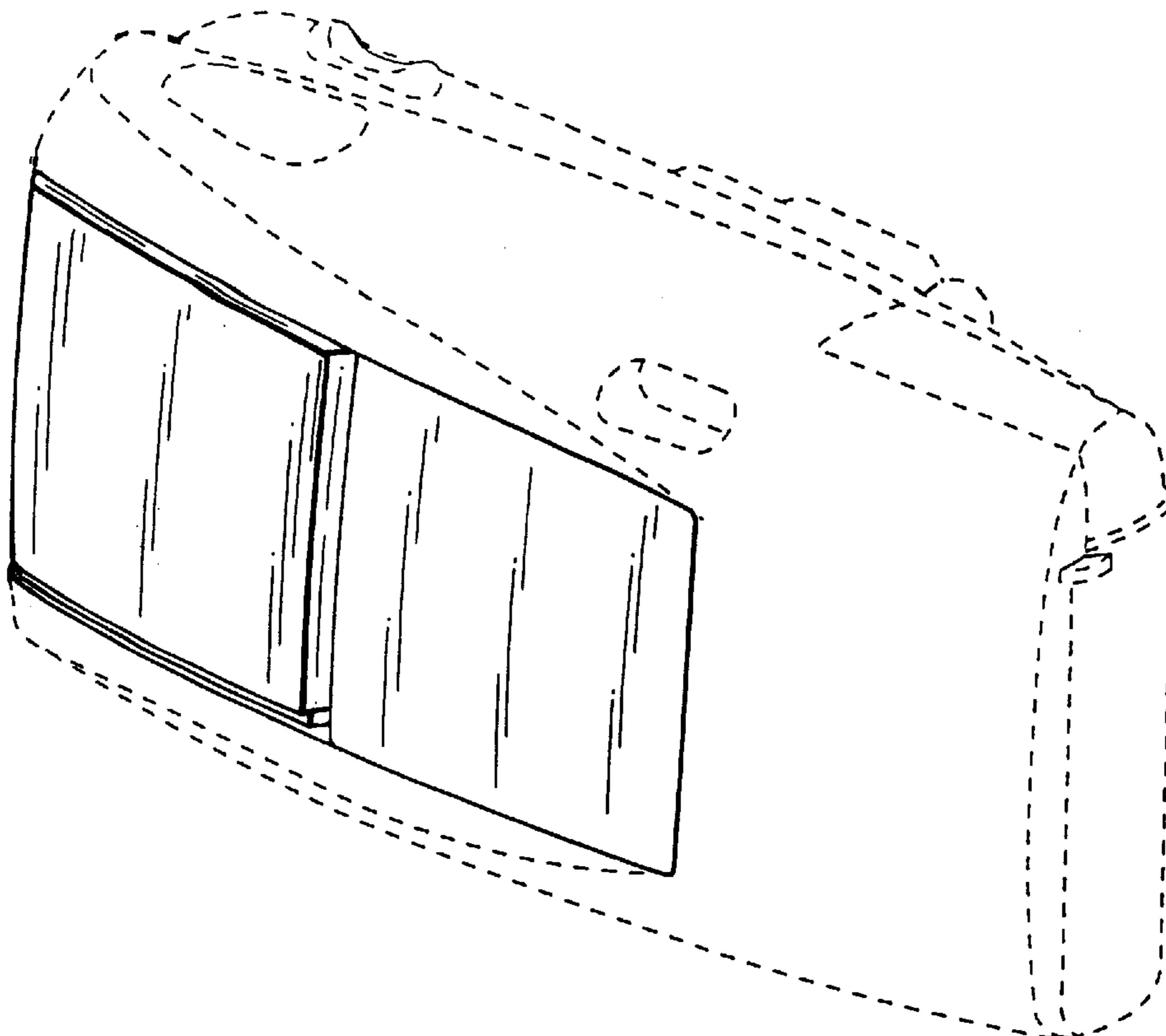


FIG. 1

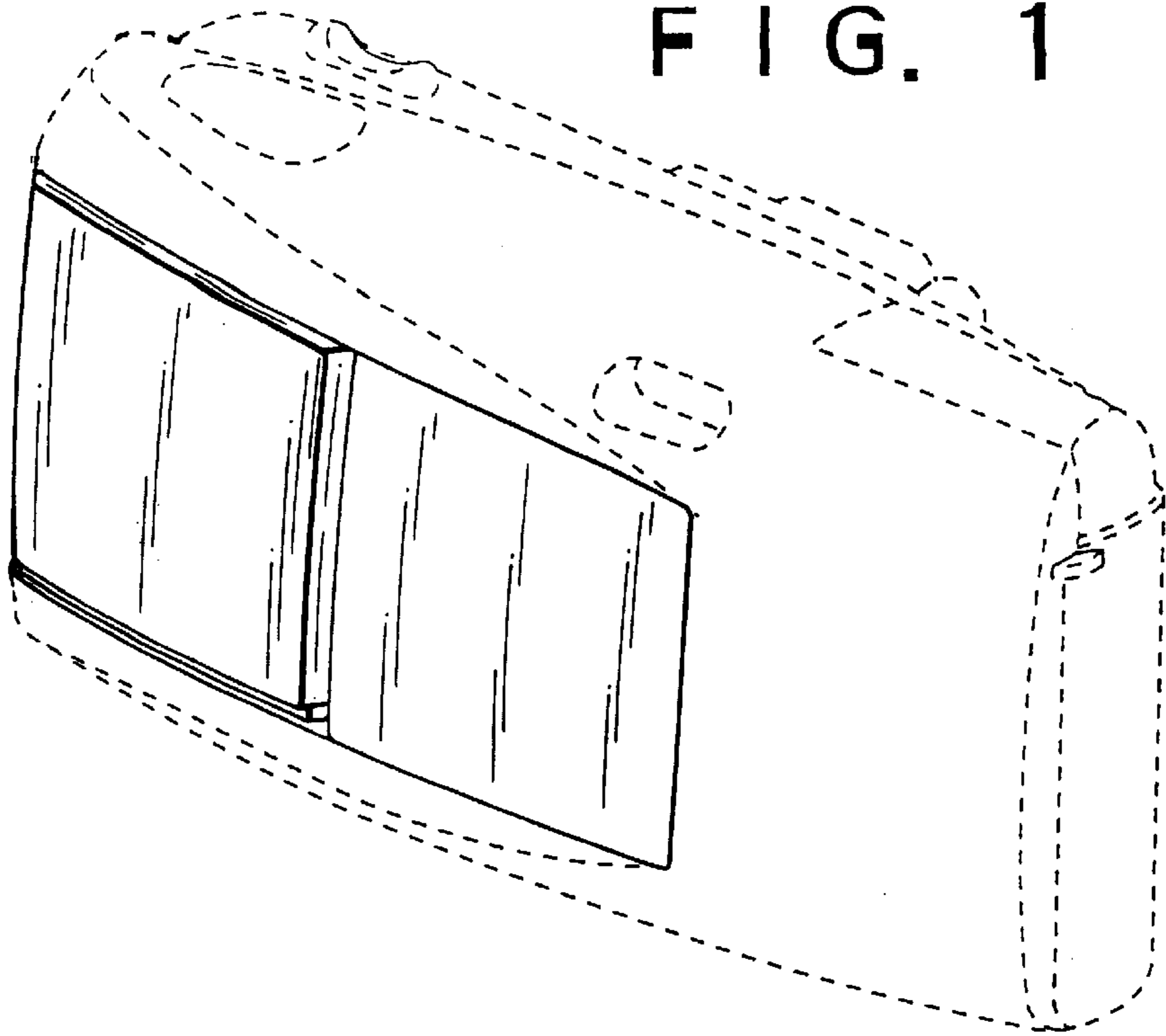


FIG. 2

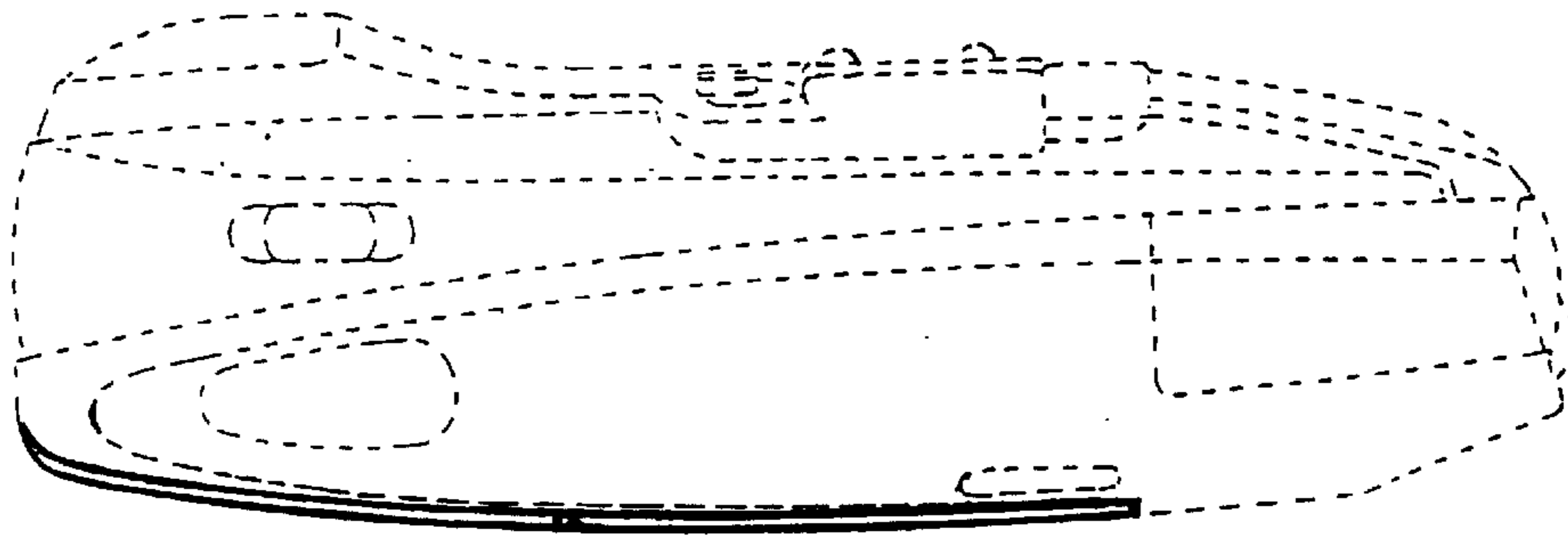


FIG. 3

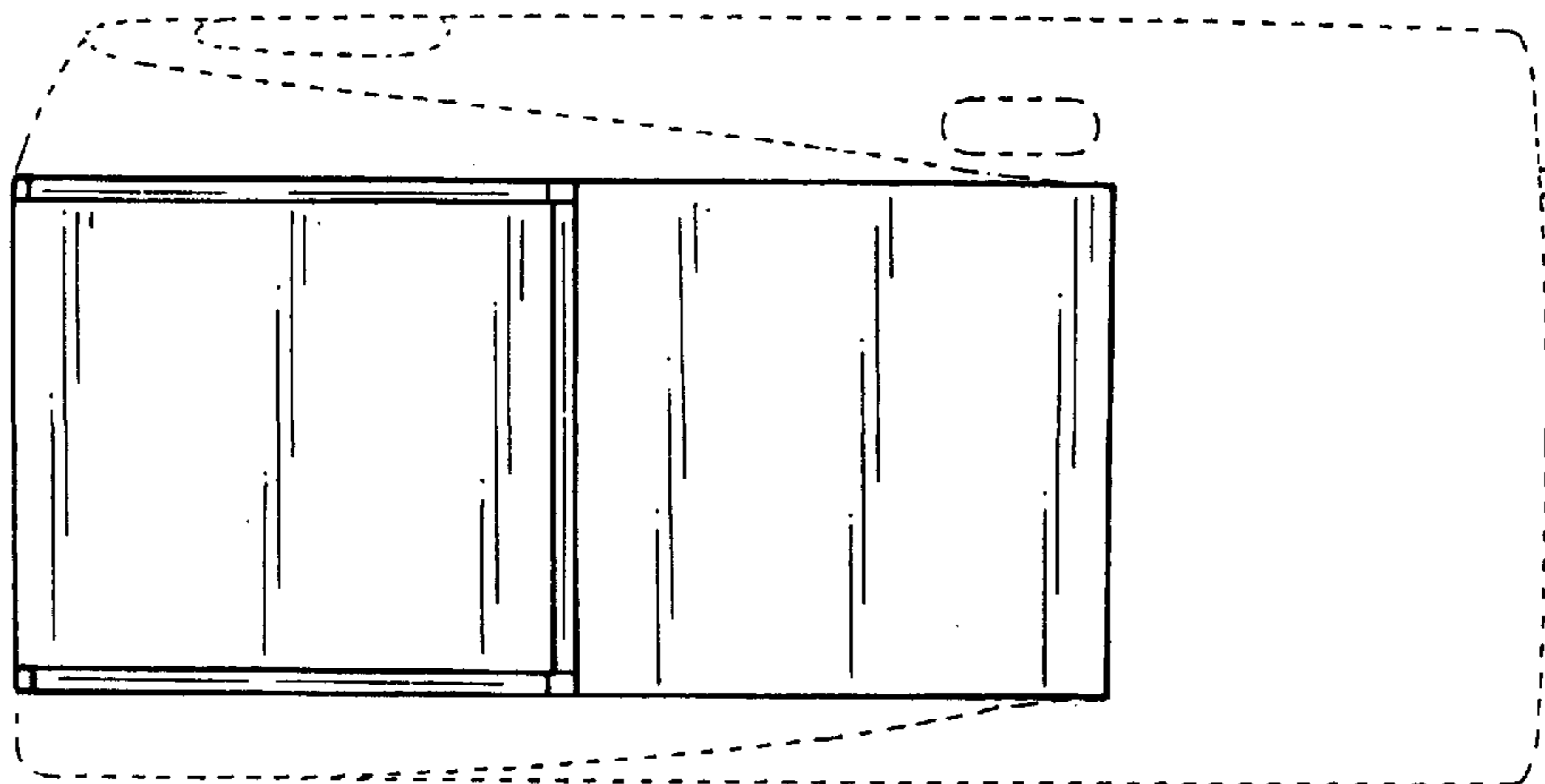


FIG. 4

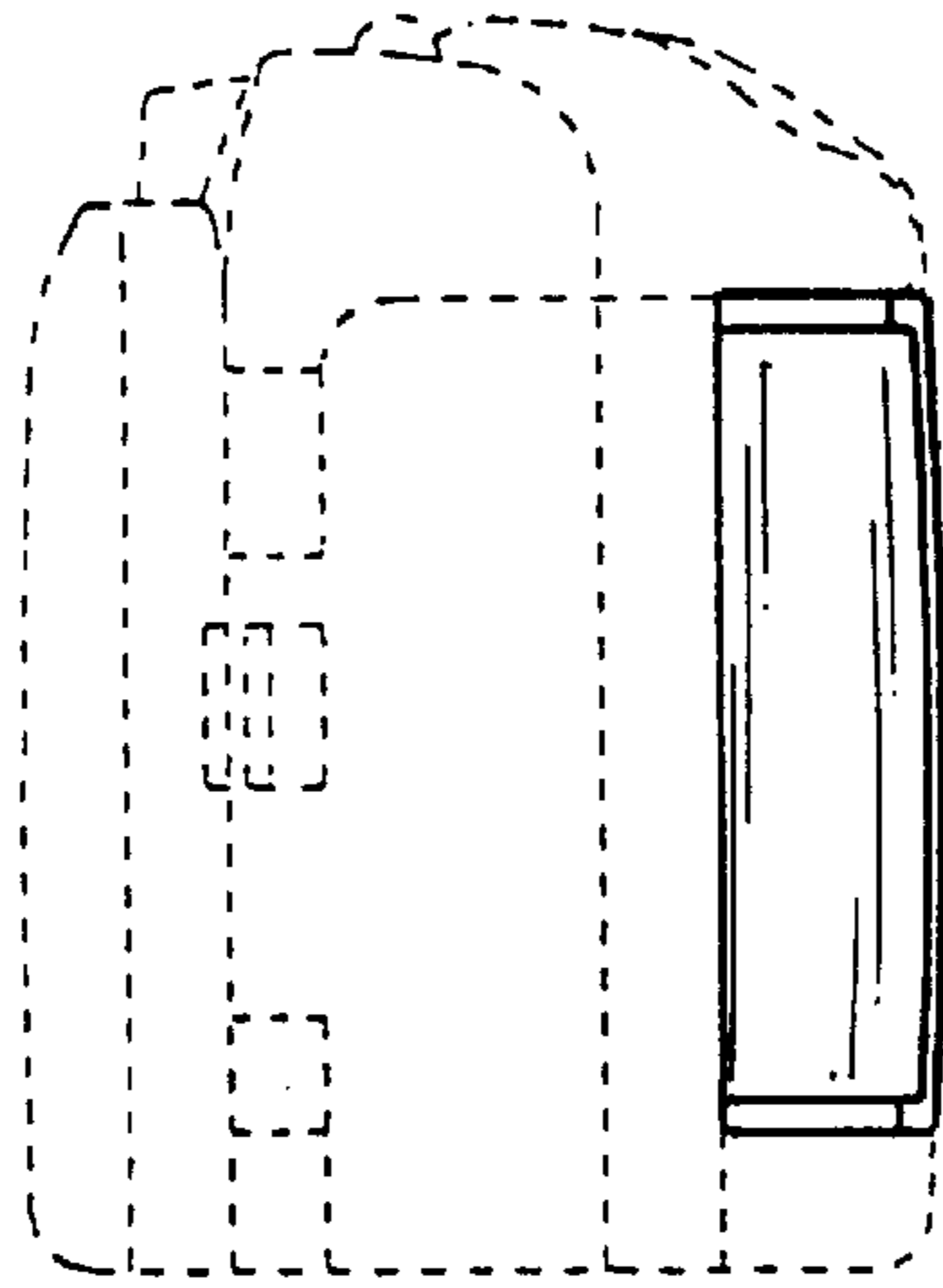


FIG. 5

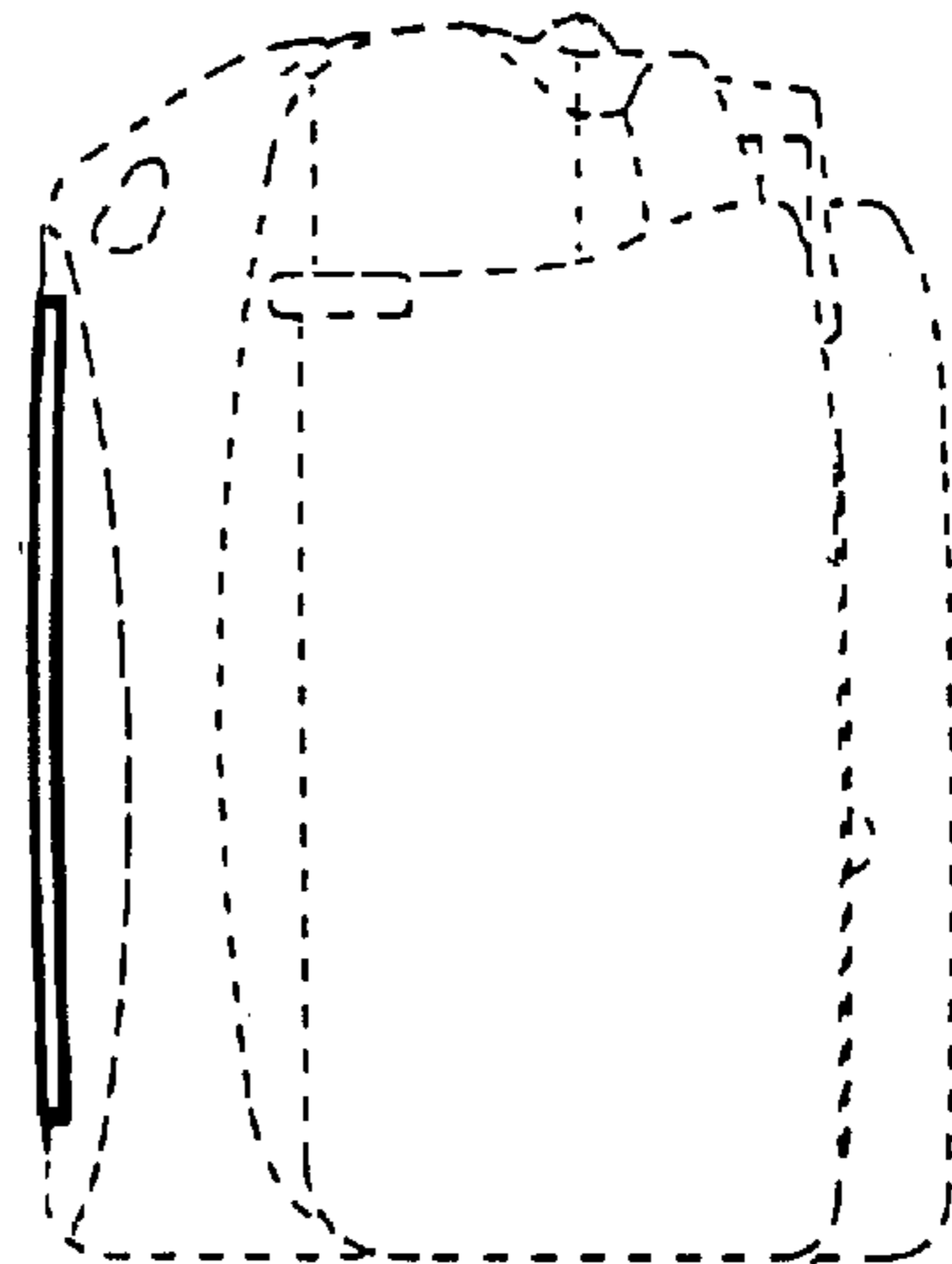


FIG. 6

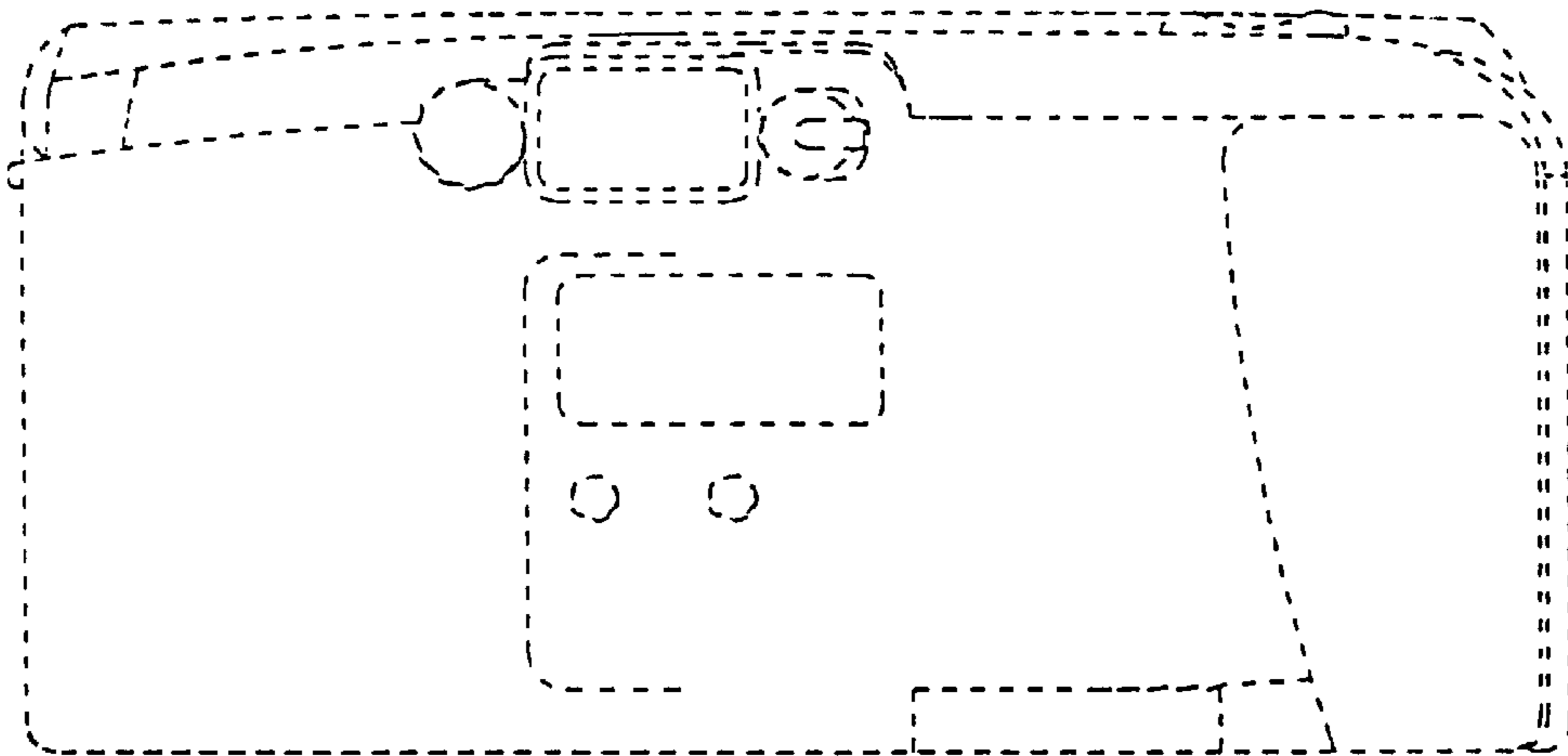


FIG. 7

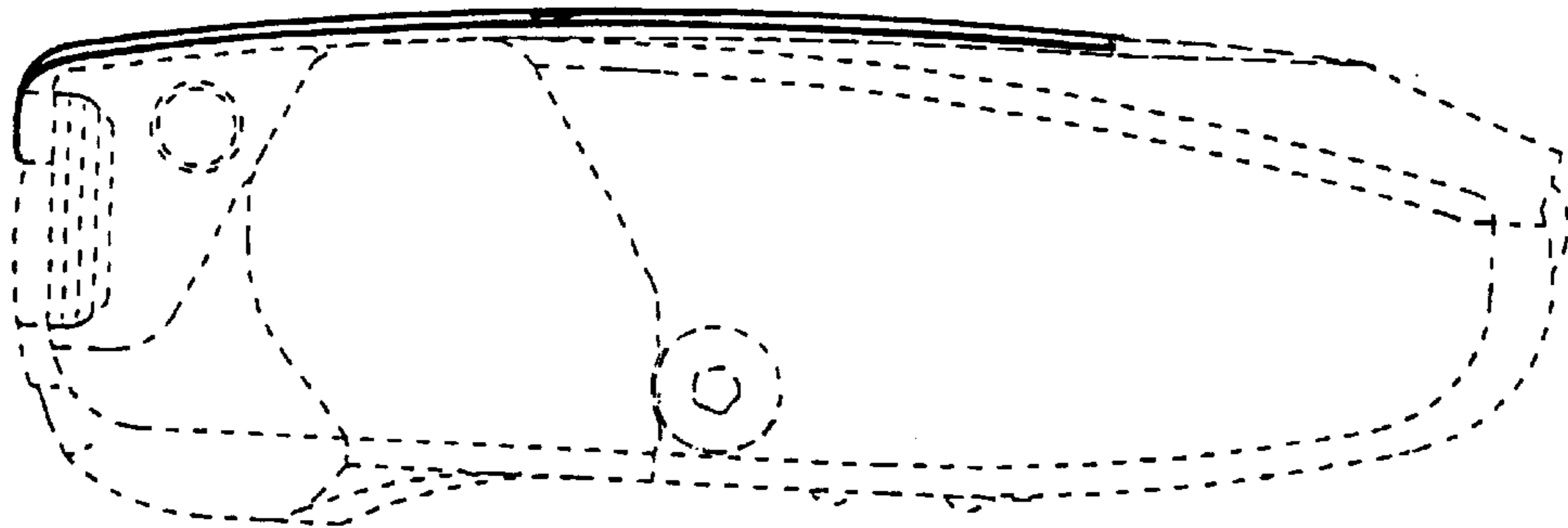
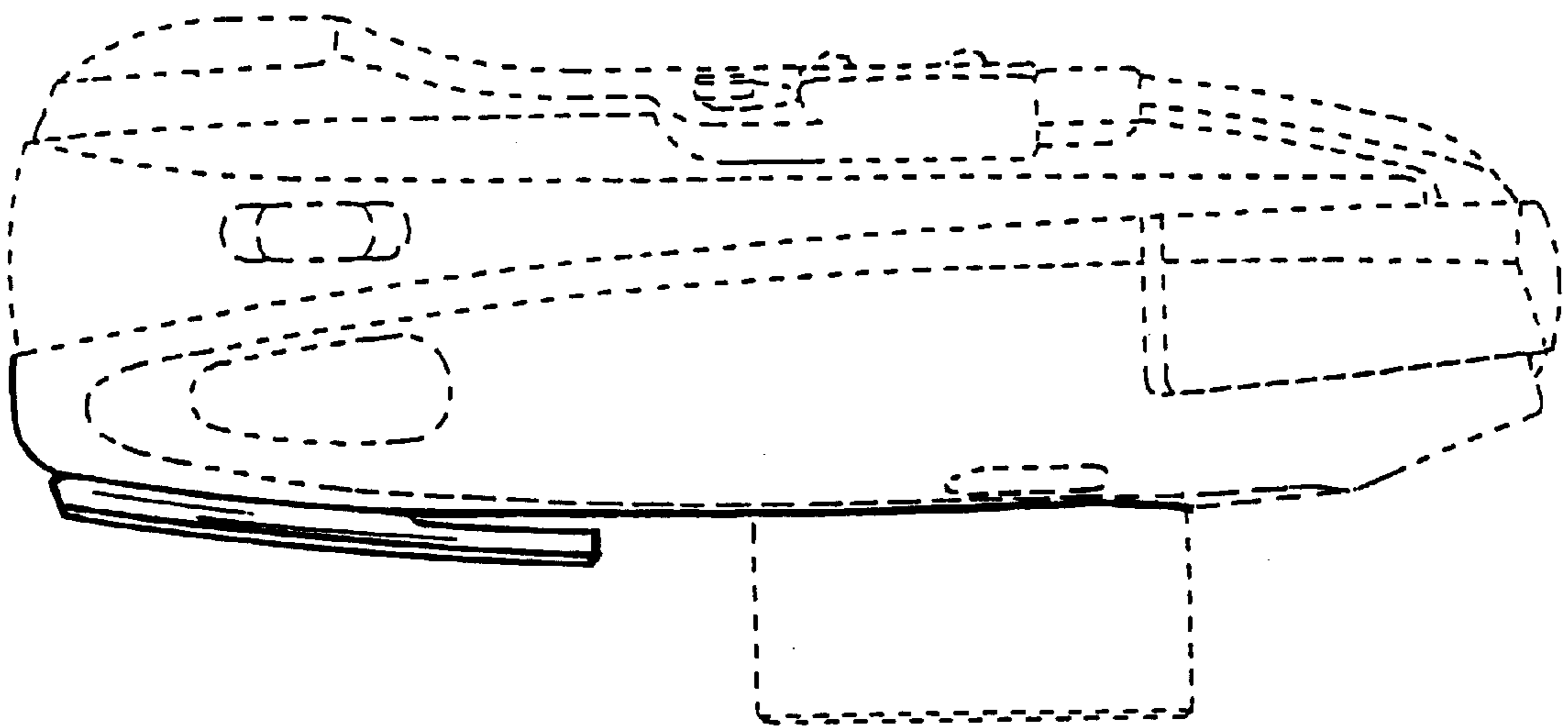


FIG. 8



UNITED STATES PATENT AND TRADEMARK OFFICE
Certificate

Patent No. D 452,972 S

Patented: January 15, 2002

On petition requesting issuance of a certificate for correction of inventorship pursuant to 35 U.S.C. 256, it has been found that the above identified patent, through error and without deceptive intent, improperly sets forth the inventorship.

Accordingly, it is hereby certified that the correct inventorship of this patent is: Yasuo Funakoshi.

Signed and Sealed this Eighth Day of October 2002.

TED SHOOMAN
Supervisory Patent Examiner
Art Unit 2912