



US00D452971B1

(12) **United States Design Patent**
Funabasama et al.

(10) **Patent No.:** **US D452,971 S**
(45) **Date of Patent:** **** Jan. 15, 2002**

(54) **REFRIGERATOR**

(75) Inventors: **Hideo Funabasama; Daikichirou Motegi; Yoshiaki Fujisawa**, all of Nitta-gun (JP)

(73) Assignee: **Sawafuji Electric Co., Ltd.**, Tokyo (JP)

(**) Term: **14 Years**

(21) Appl. No.: **29/127,877**

(22) Filed: **Aug. 11, 2000**

(51) **LOC (7) Cl.** **15-07**

(52) **U.S. Cl.** **D15/81**

(58) **Field of Search** D15/81, 88, 79; 62/249, 248, 440, 457, 373, 384, 246; 312/236, 116, 119, 139.2, 138.1

(56) **References Cited**

U.S. PATENT DOCUMENTS

D266,000 S	*	8/1982	Kawakami	D15/88
D354,064 S	*	1/1995	Sims	D15/88
D421,028 S	*	2/2000	Valboni et al.	D15/81

* cited by examiner

Primary Examiner—Terry A. Wallace

(74) *Attorney, Agent, or Firm*—Arent Fox Kintner Plotkin & Kahn, PLLC

(57) **CLAIM**

The ornamental design for a refrigerator, as shown and described.

DESCRIPTION

FIG. 1 is a front view of the refrigerator;
 FIG. 2 is a rear view of the refrigerator;
 FIG. 3 is a left side view of the refrigerator;
 FIG. 4 is a right side view of the refrigerator;
 FIG. 5 is a plan view of the refrigerator;
 FIG. 6 is a bottom view of the refrigerator;
 FIG. 7 is a reference front view of the refrigerator showing a state in which the door is open;
 FIG. 8 is a reference perspective view of the refrigerator; and,
 FIG. 9 is a reference perspective view of the refrigerator showing a state in which the door is open.

1 Claim, 9 Drawing Sheets

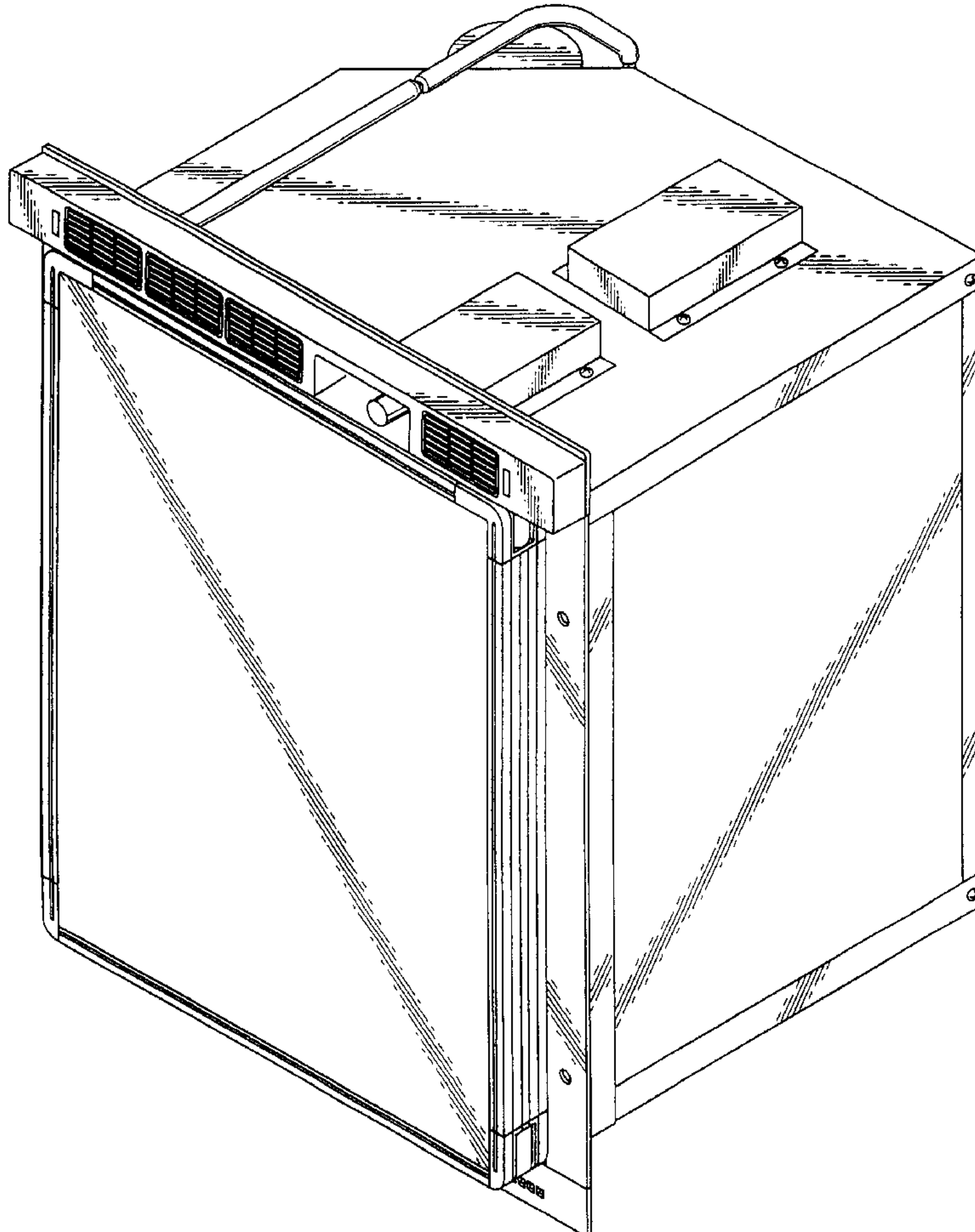


FIG. 1

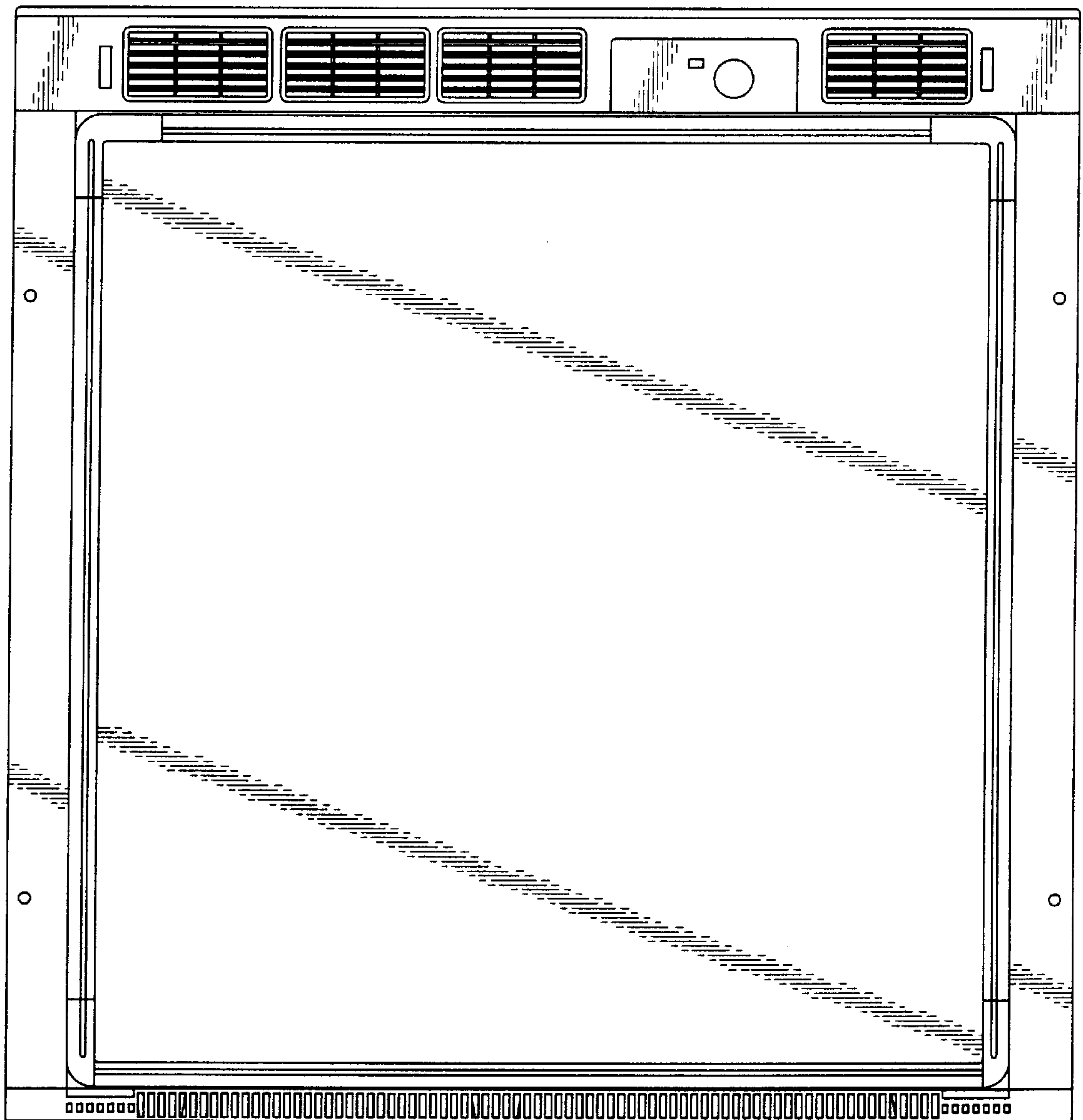


FIG. 2

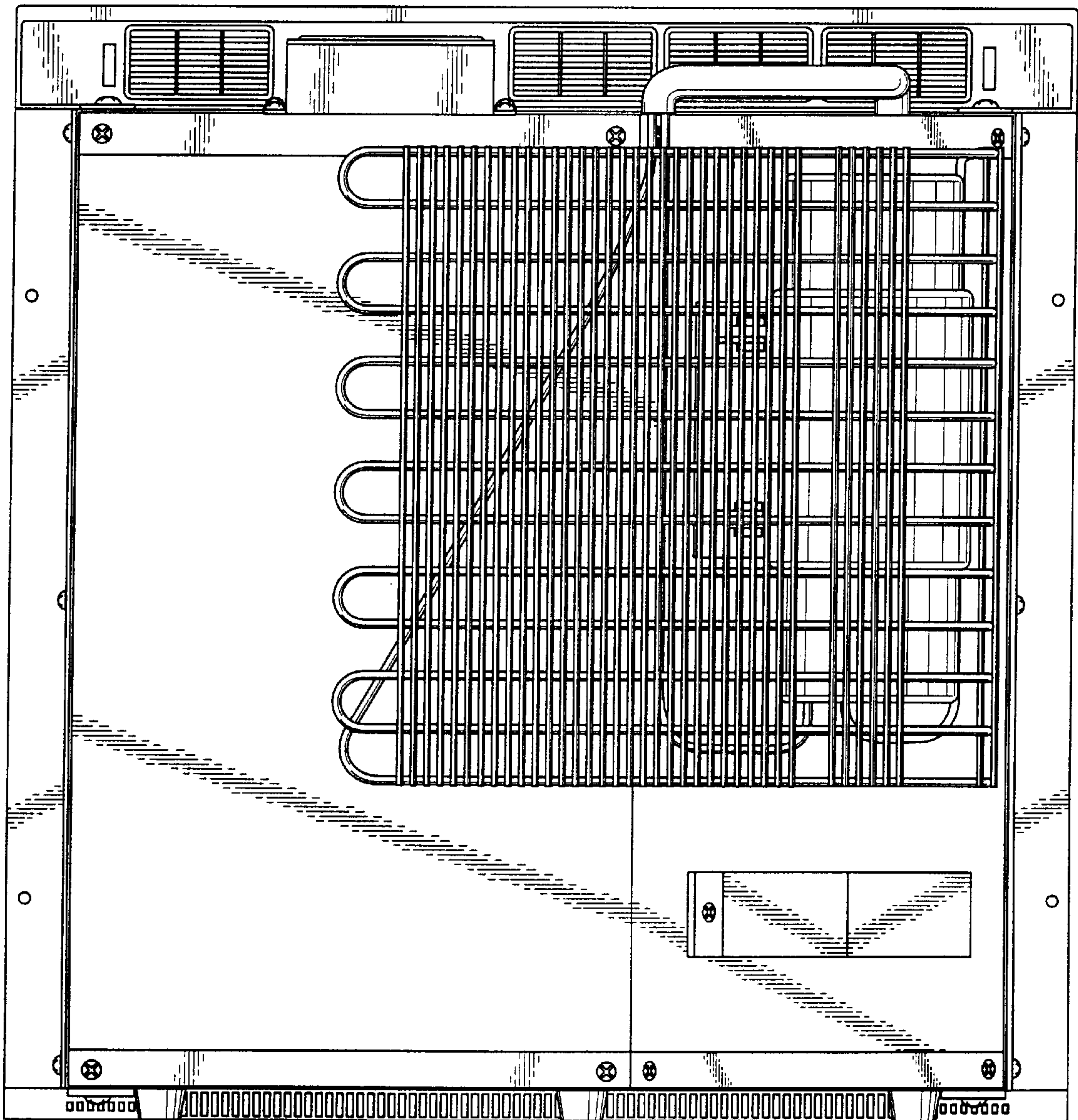


FIG. 3

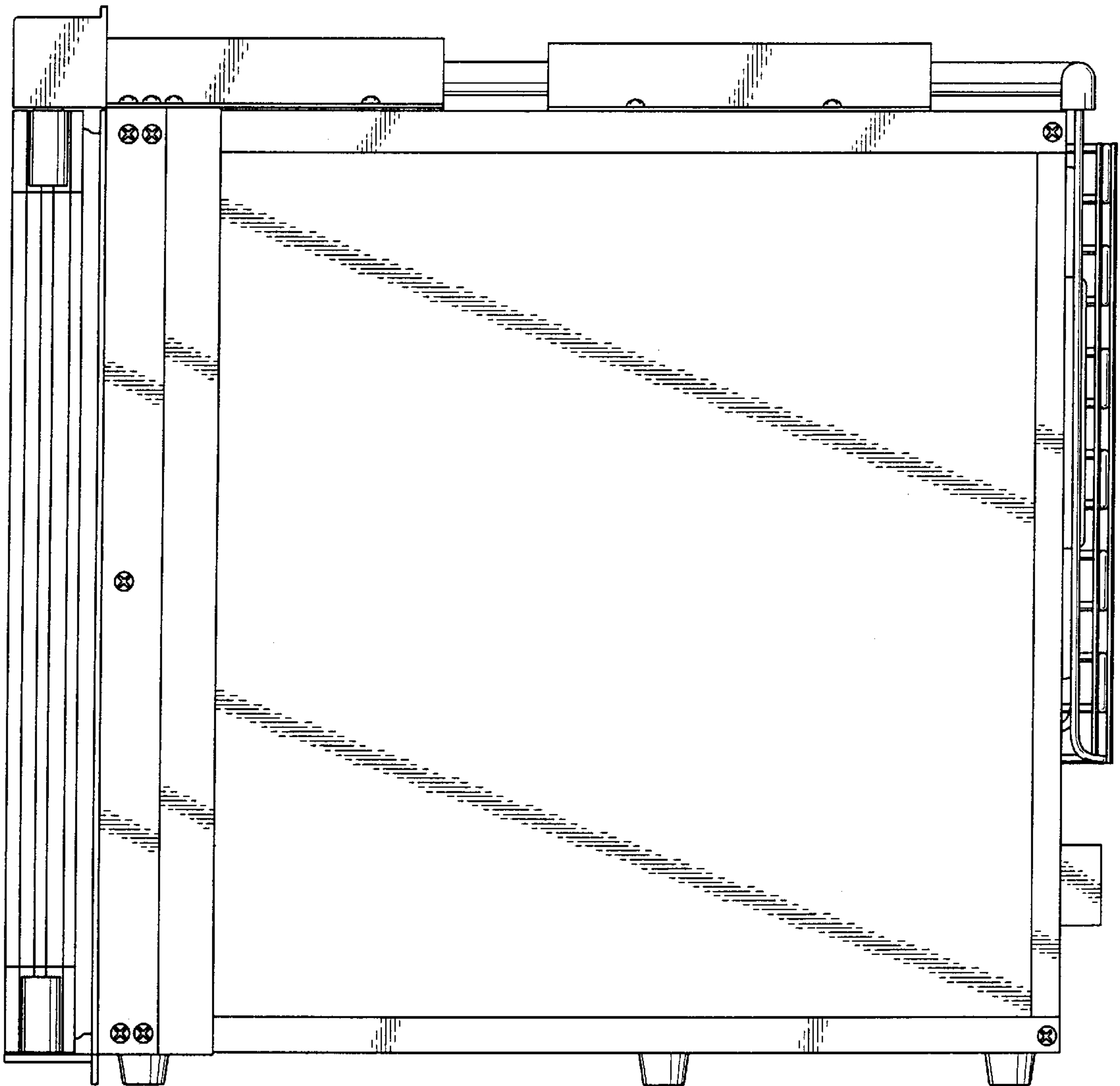


FIG. 4

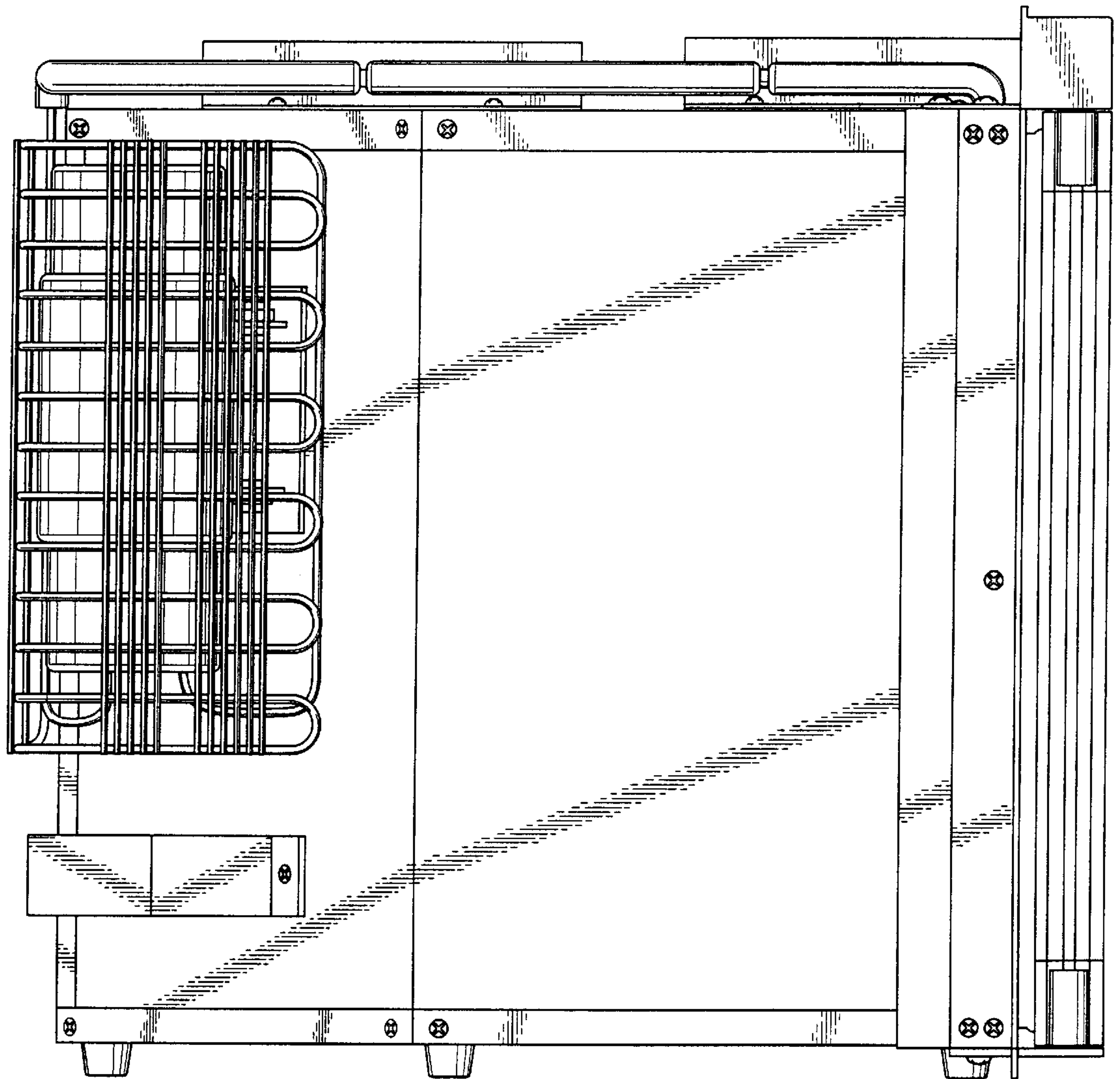


FIG. 5

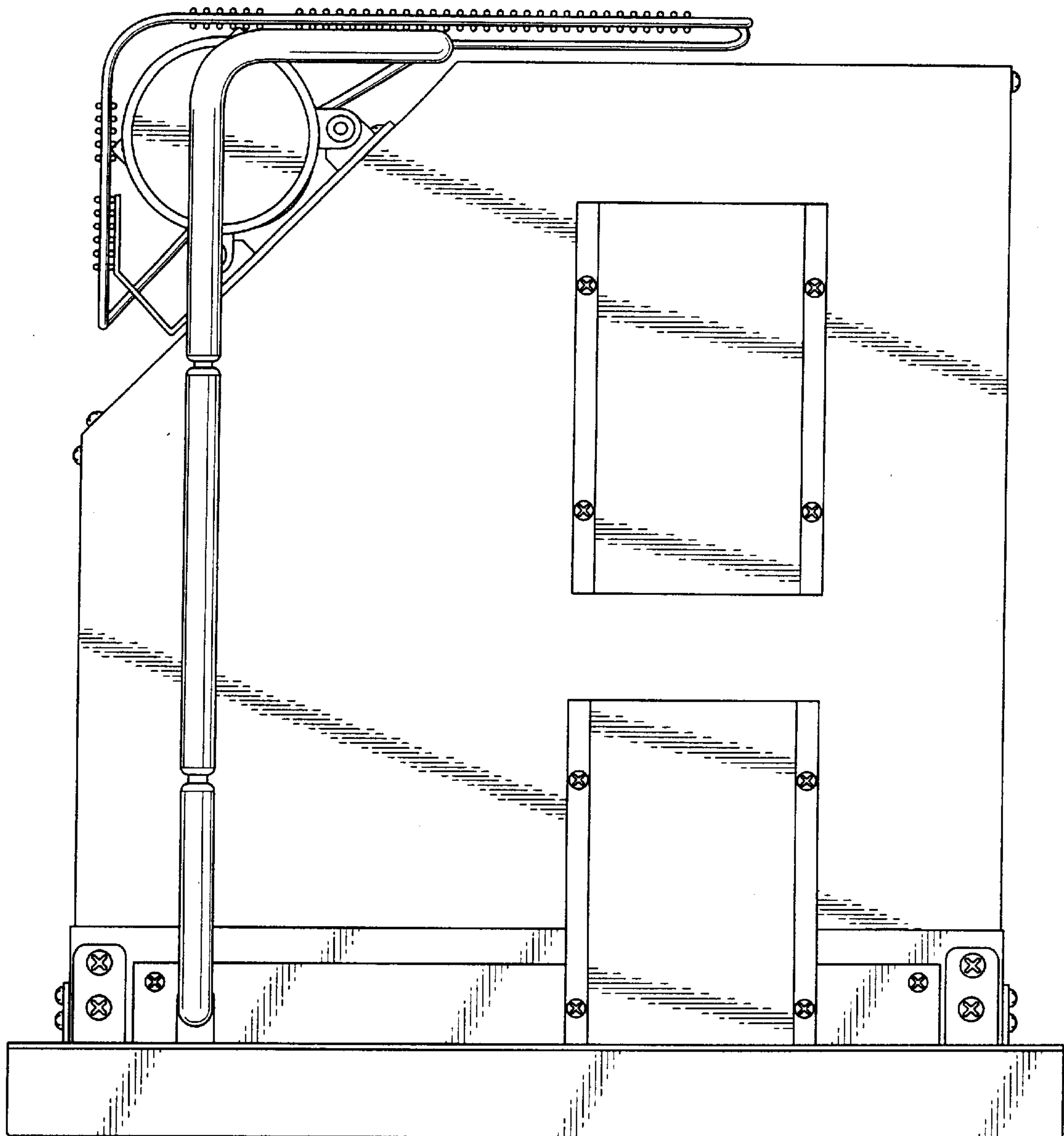


FIG. 6

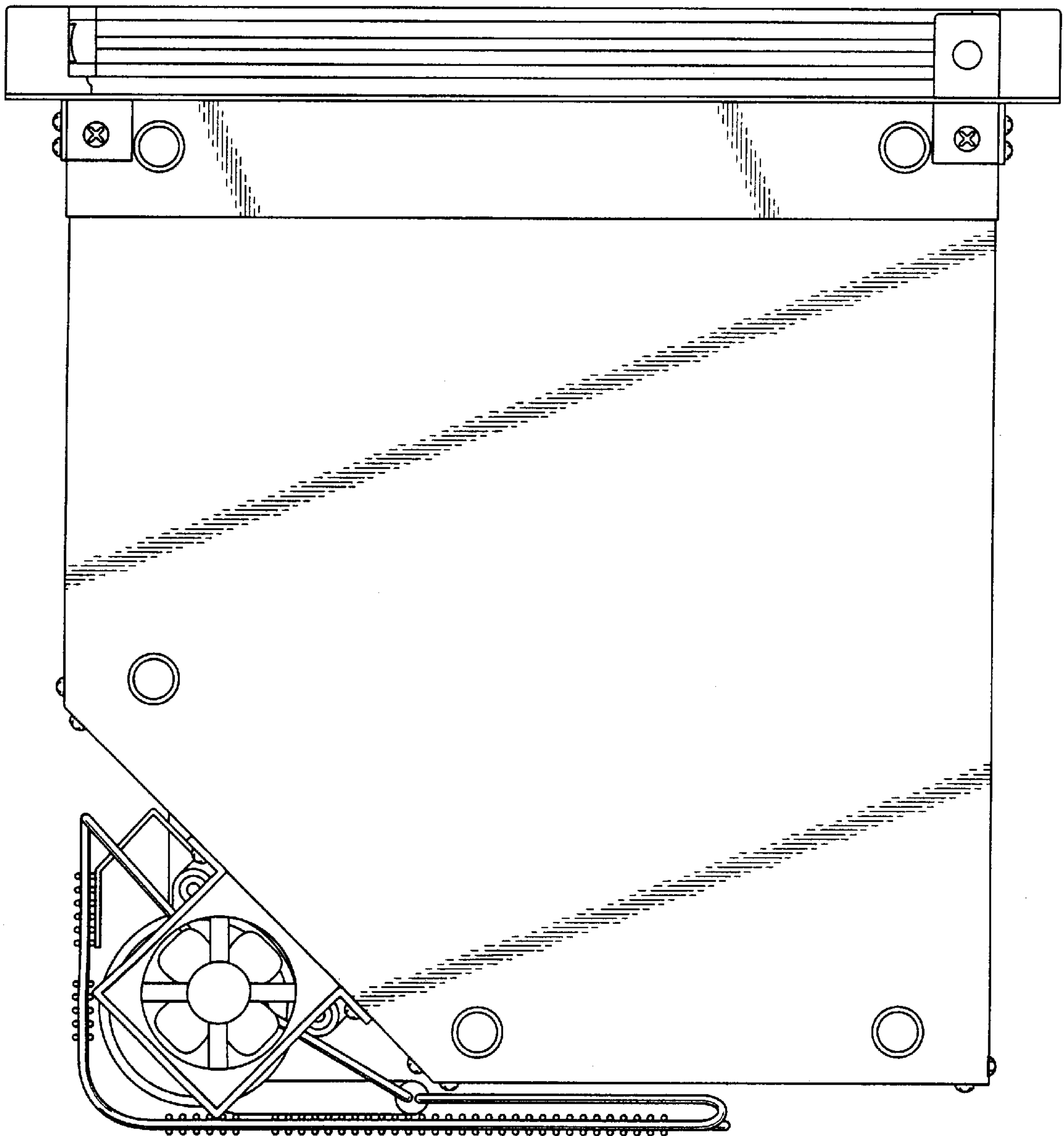


FIG. 7

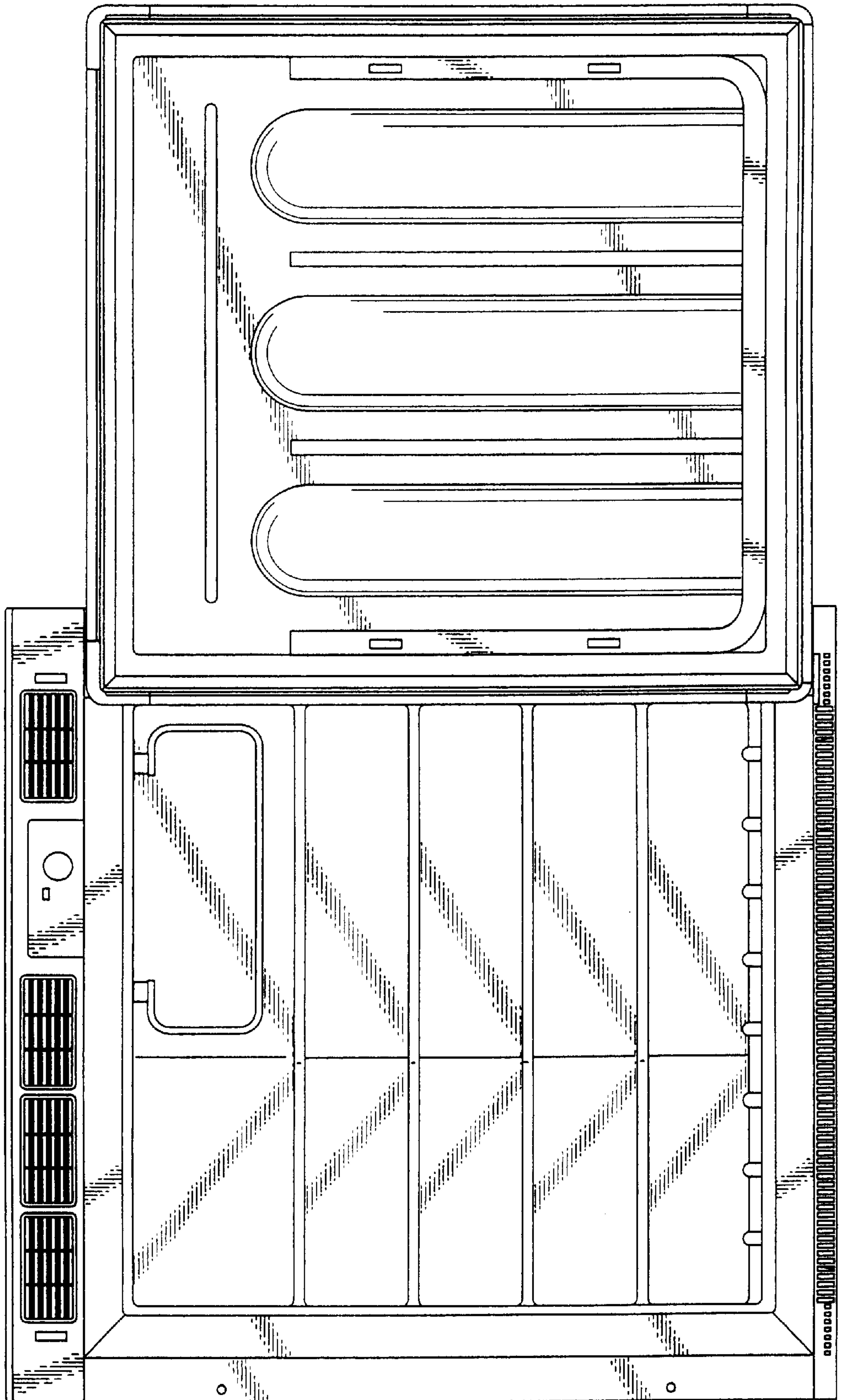


FIG.8

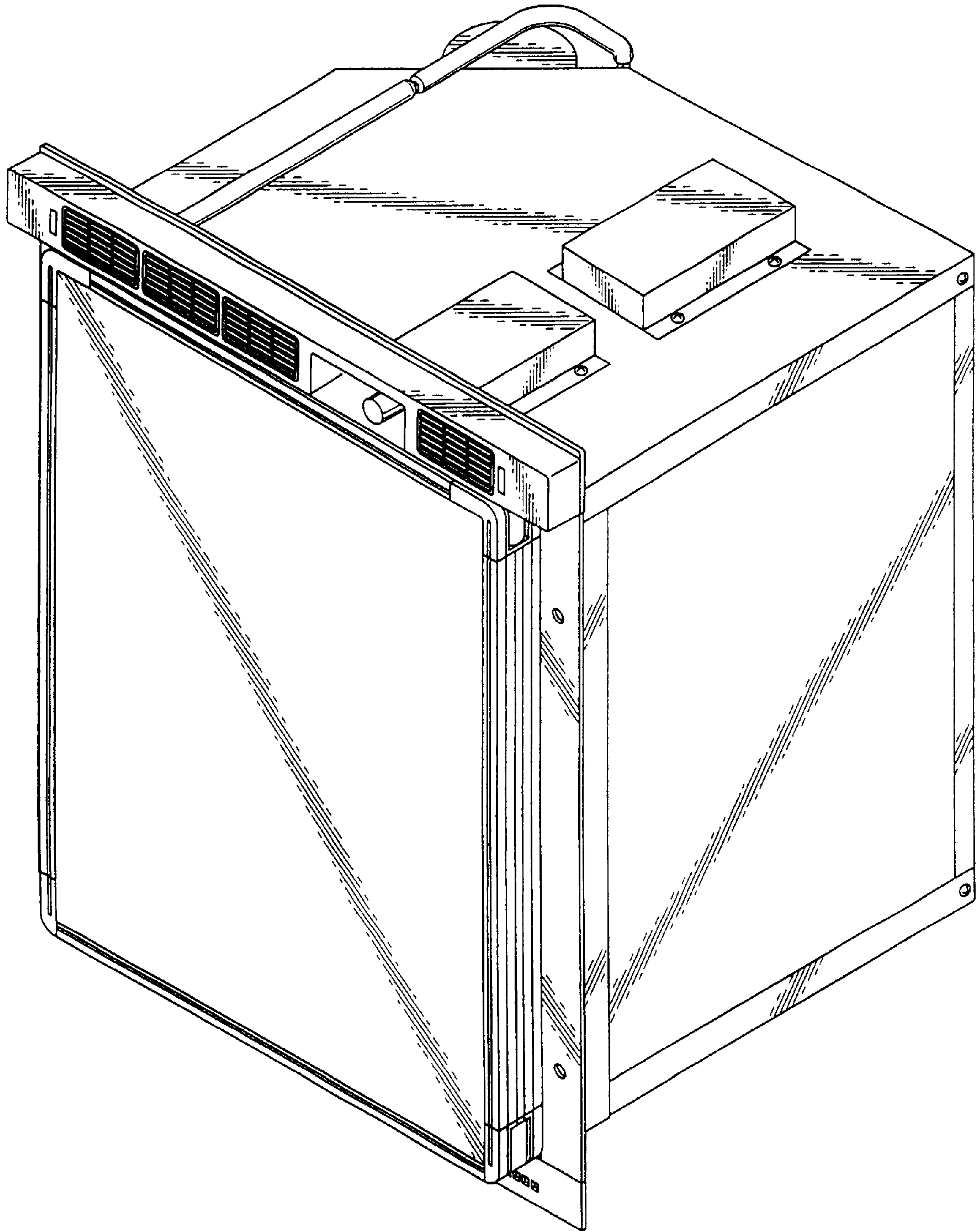


FIG. 9

