



US00D452968B1

(12) **United States Design Patent**
Evers et al.

(10) **Patent No.:** **US D452,968 S**
(45) **Date of Patent:** **** Jan. 15, 2002**

(54) **FLIP COVER LID FOR A PDA DEVICE**

(75) Inventors: **Maaïke Evers**, San Francisco; **David Northway**, San Carlos; **David Christopher**, San Francisco; **Heather Claubert**, Redwood City; **Lauren Utigard**, Pleasanton, all of CA (US)

(73) Assignee: **Palm, Inc.**, Santa Clara, CA (US)

(**) Term: **14 Years**

(21) Appl. No.: **29/130,502**

(22) Filed: **Oct. 2, 2000**

(51) **LOC (7) Cl.** **14-02**

(52) **U.S. Cl.** **D14/345**

(58) **Field of Search** D14/341, 345-6, D14/432; D18/1, 2, 7; 235/145 A, 145 R; 341/22-3; 345/156, 168, 169, 172-3; 349/12

(56) **References Cited**

U.S. PATENT DOCUMENTS

- 5,555,157 A * 9/1996 Moller et al.
- D408,021 S * 4/1999 Haitani et al.
- D428,414 S * 7/2000 Okumura
- D432,535 S * 10/2000 Loh et al.
- D433,016 S * 10/2000 Matsuda et al.
- D436,592 S * 1/2001 Okumora

* cited by examiner

Primary Examiner—M. H. Tung

(74) *Attorney, Agent, or Firm*—Wagner, Murabito & Hao LLP

(57) **CLAIM**

We claim the ornamental design for a flip cover lid for a PDA device, as shown and described.

DESCRIPTION

FIG. 1 is a lower right front perspective view of a flip cover lid for a PDA device showing our new design, the broken line drawing of a PDA device is for illustrative purposes only and forms no part of the claimed design;

FIG. 2 is a upper right rear perspective view of a flip cover lid for a PDA device showing our new design, the broken line drawing of a PDA device is for illustrative purposes only and forms no part of the claimed design;

FIG. 3 is a lower right front perspective view of the flip cover lid for a PDA device showing our new design;

FIG. 4 is an upper left rear perspective view thereof;

FIG. 5 is an enlarged front elevational view thereof;

FIG. 6 is an enlarged right side elevational view thereof;

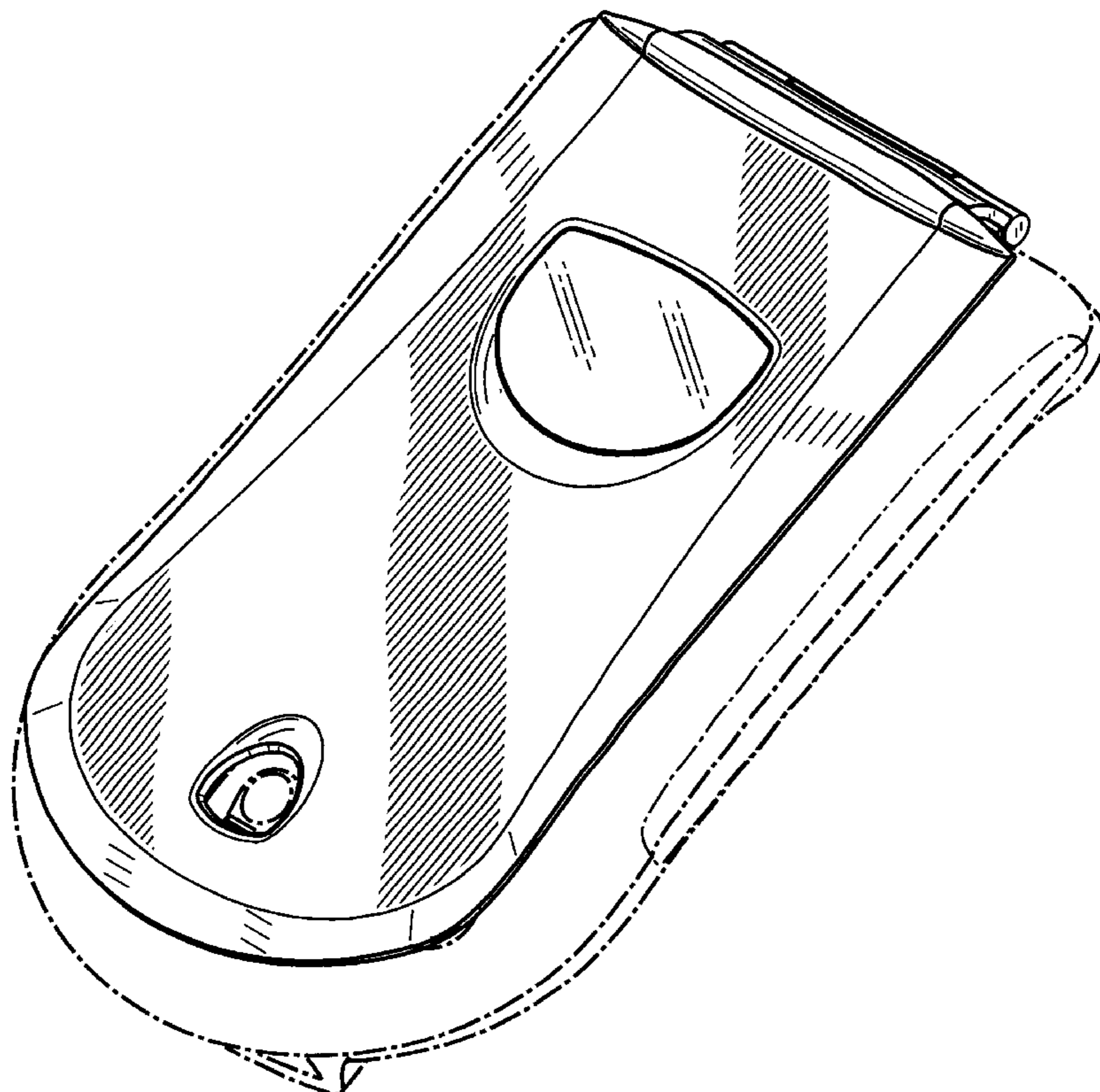
FIG. 7 is an enlarged rear elevational view thereof;

FIG. 8 is an enlarged left side elevational view thereof;

FIG. 9 is an enlarged top plan view thereof; and,

FIG. 10 is an enlarged bottom plan view thereof.

1 Claim, 4 Drawing Sheets



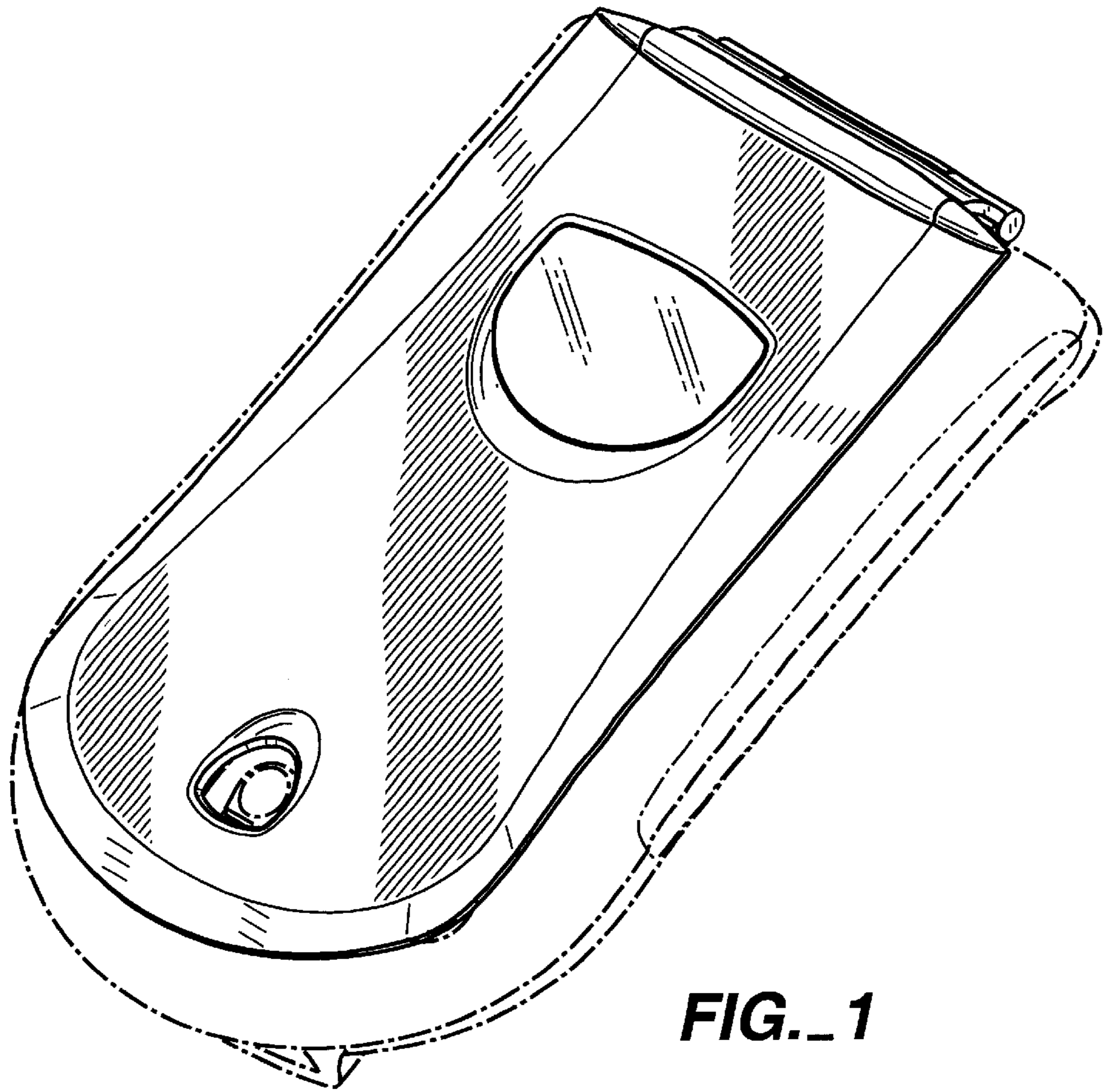


FIG. 1

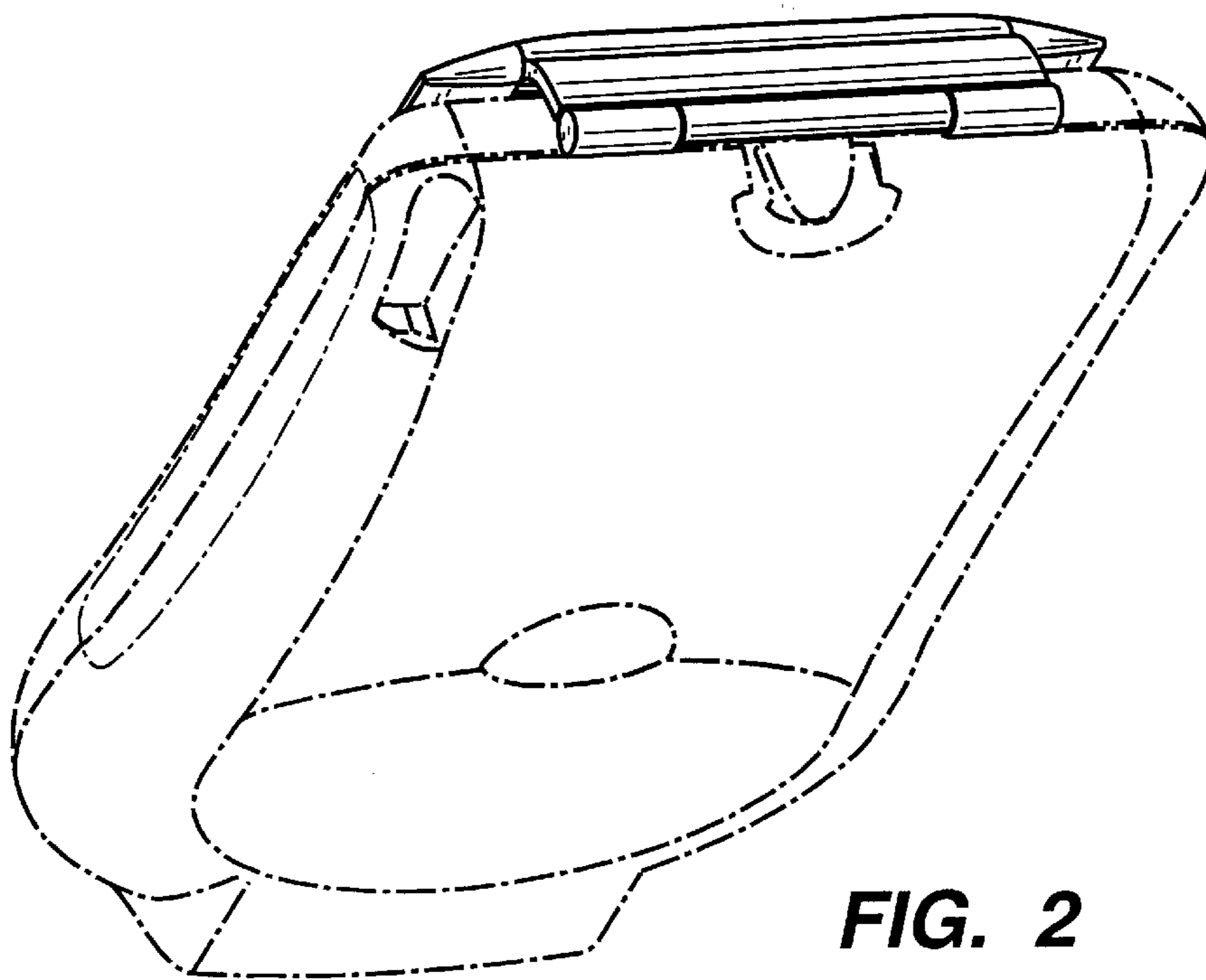


FIG. 2

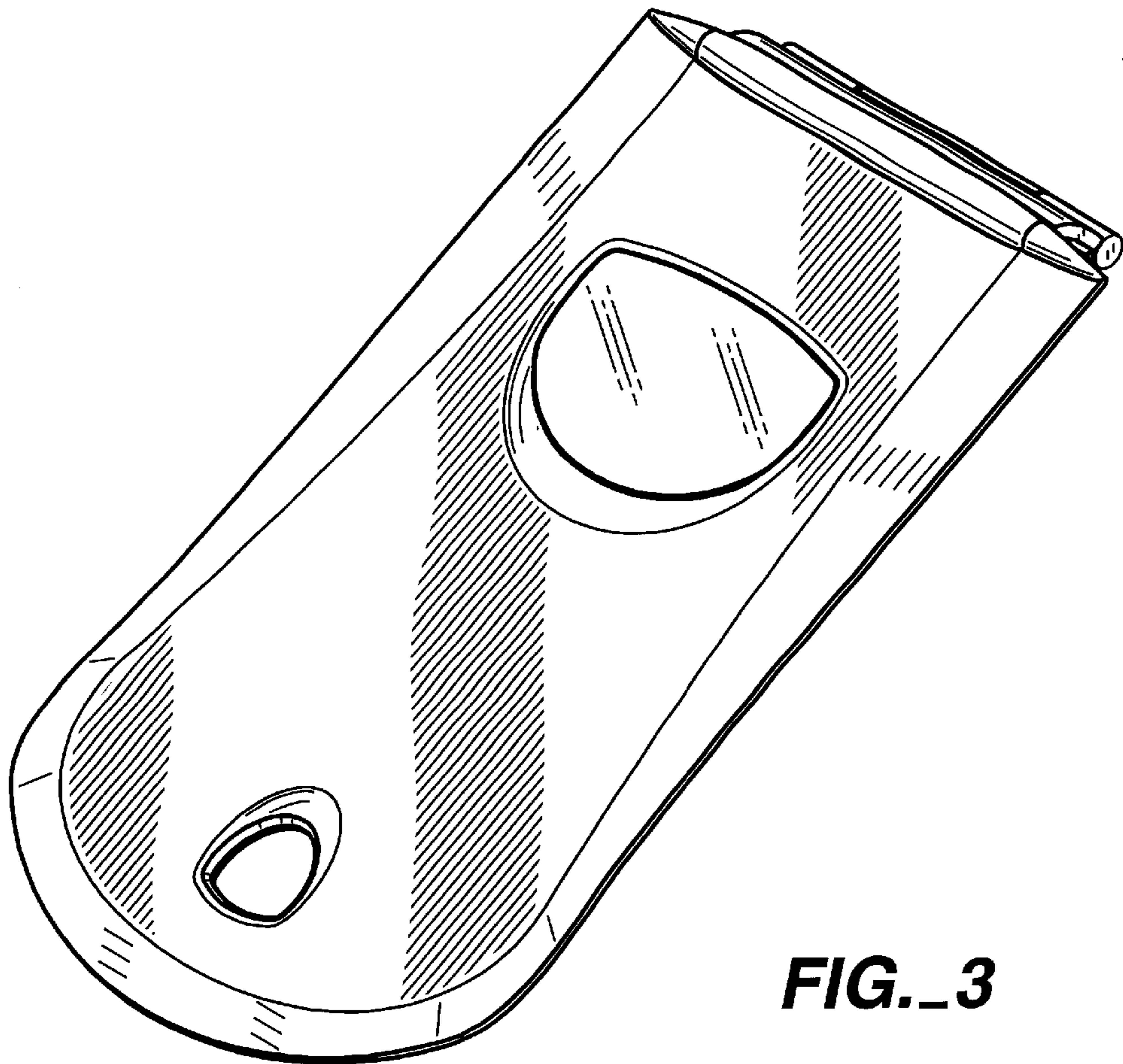


FIG. 3

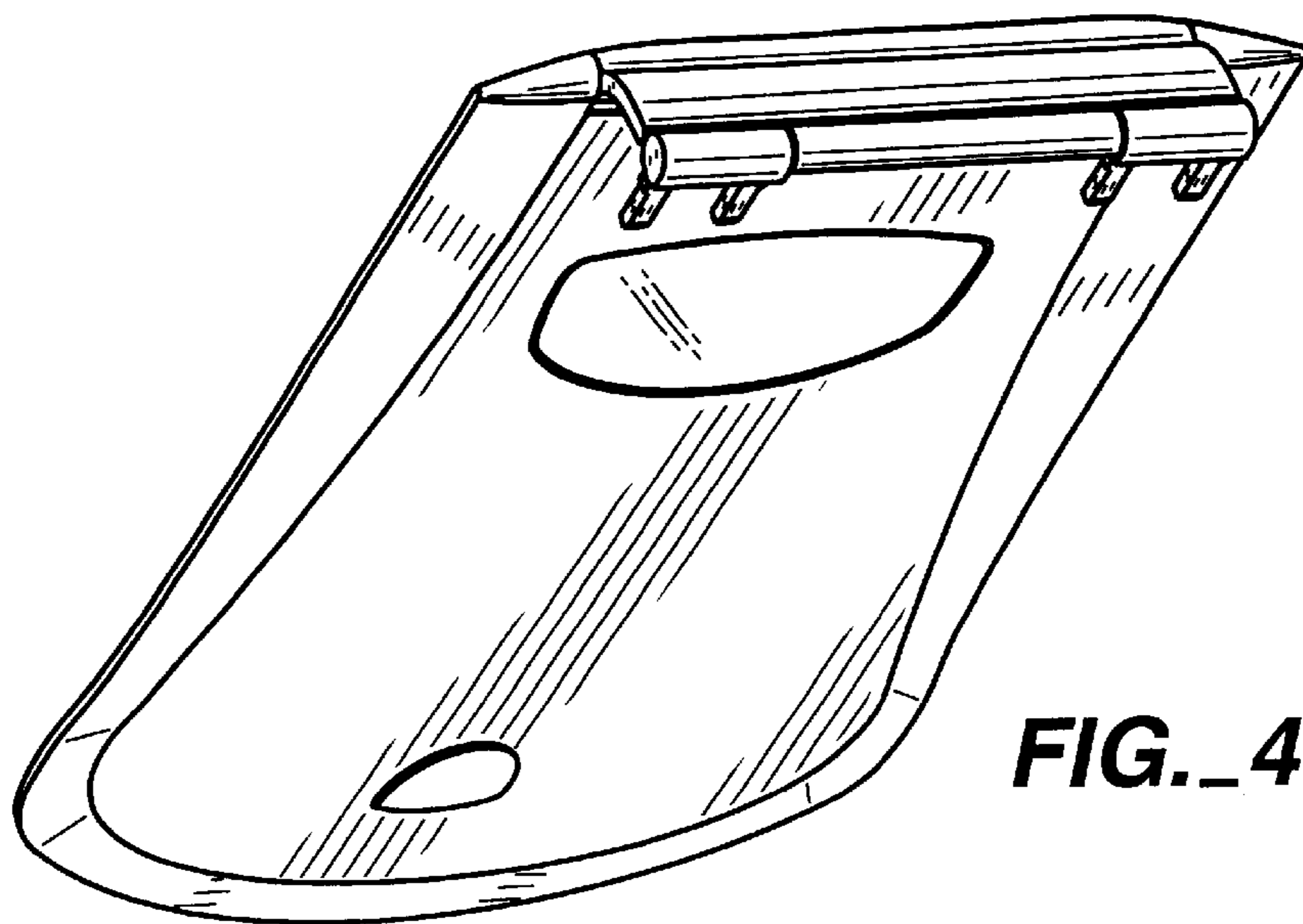


FIG. 4

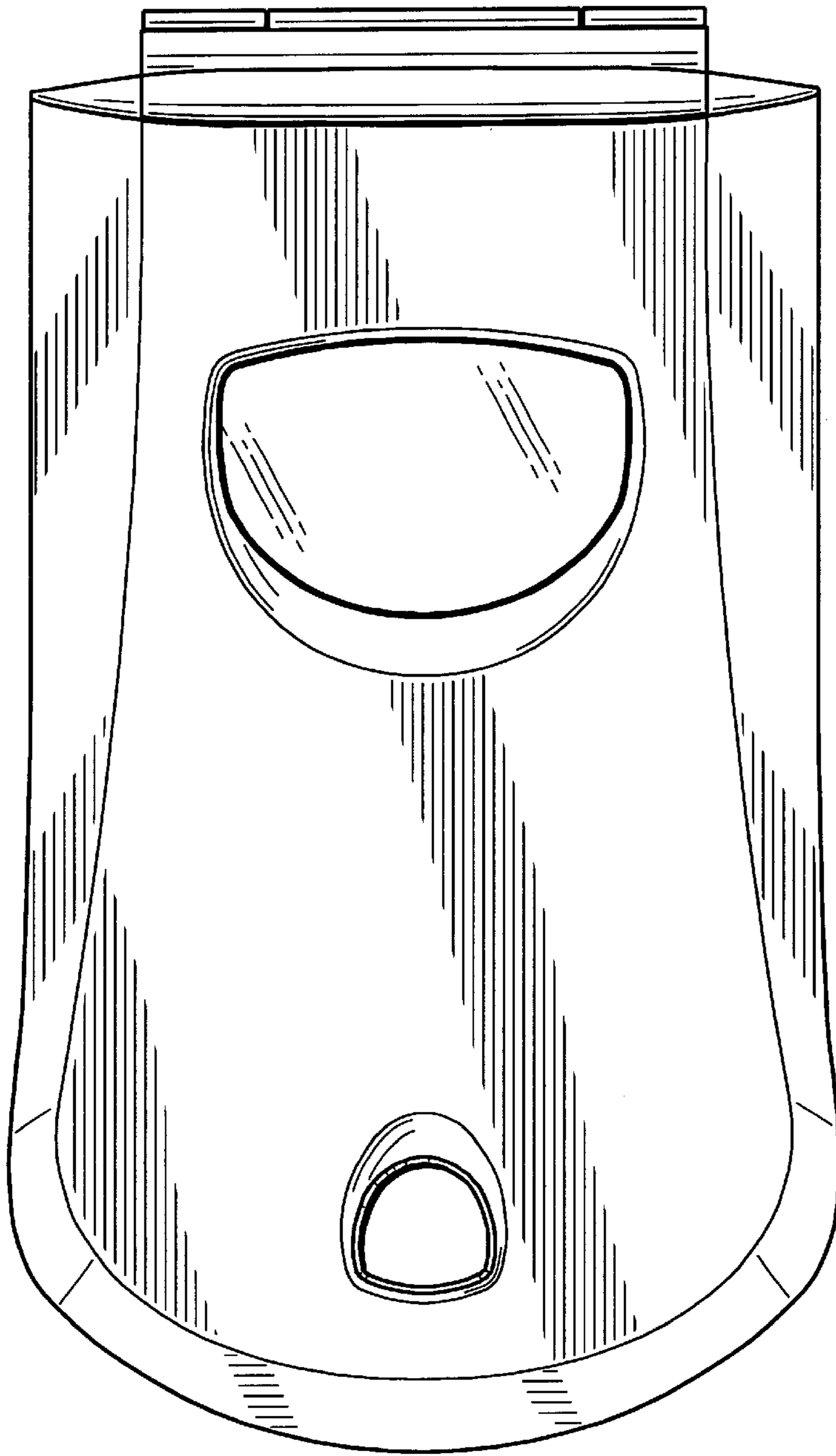


FIG._5

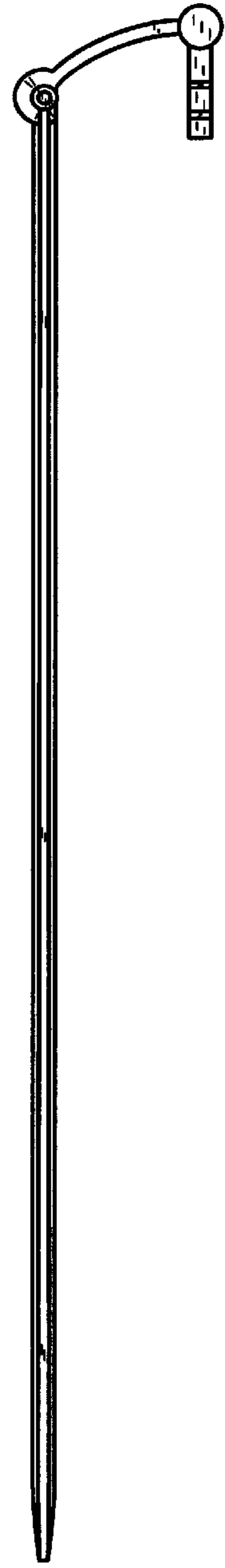


FIG._6

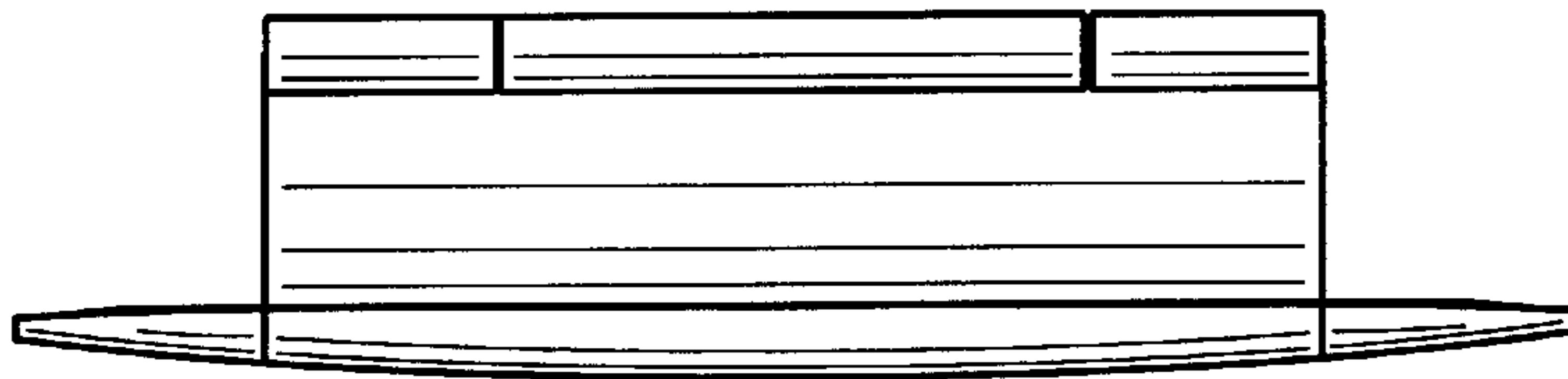


FIG._9

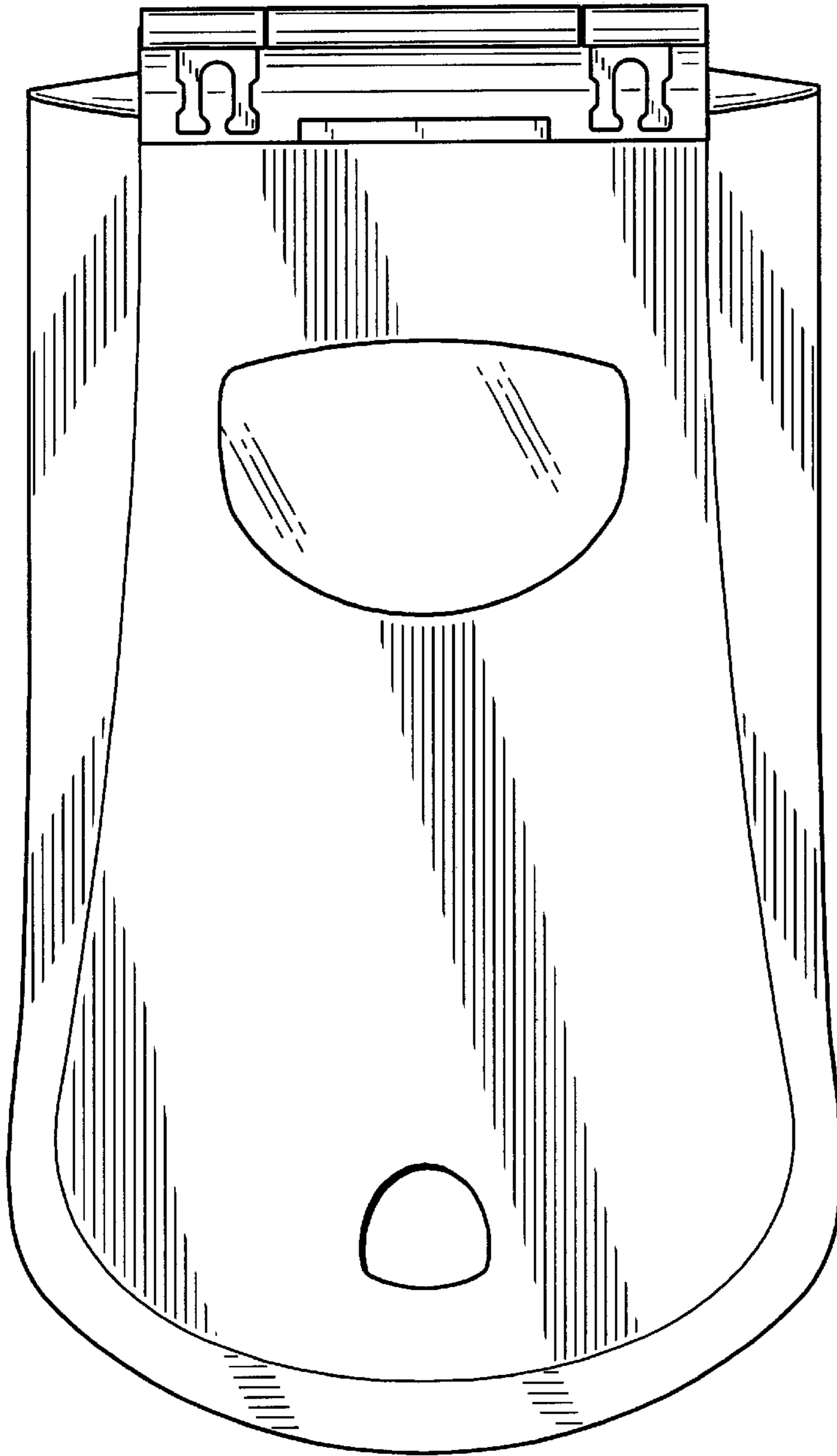


FIG._7

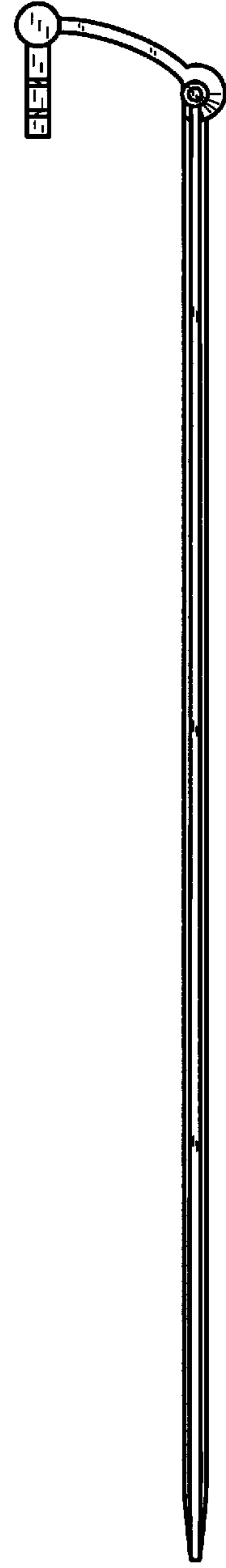


FIG._8

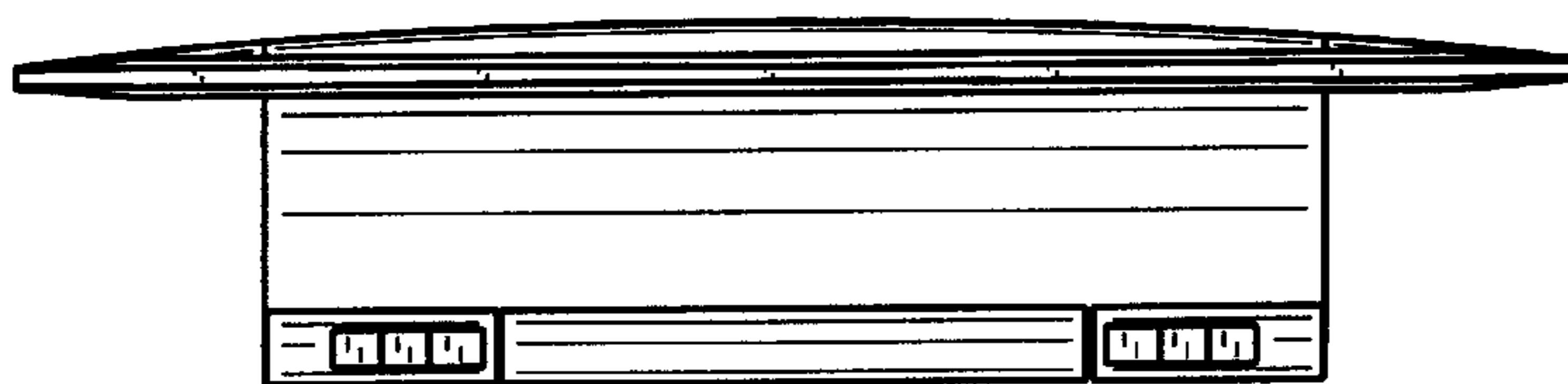


FIG._10

UNITED STATES PATENT AND TRADEMARK OFFICE
CERTIFICATE OF CORRECTION

PATENT NO. : Des 452,968 S Page 1 of 1
DATED : January 15, 2002
INVENTOR(S) : Maaike Evers, David Northway, David Christopher, Heather Klaubert and
Lauren Utigard

It is certified that error appears in the above-identified patent and that said Letters Patent is hereby corrected as shown below:

Title page,


Item [75], the Inventors' names should read as follows:

-- **Maaike Evers, David Northway, David Christopher, Heather Klaubert and
Lauren Utigard** --

Signed and Sealed this

Twenty-seventh Day of August, 2002

Attest:



Attesting Officer

JAMES E. ROGAN
Director of the United States Patent and Trademark Office