



US00D452966B1

(12) **United States Design Patent**
Sogabe

(10) **Patent No.:** **US D452,966 S**

(45) **Date of Patent:** **** Jan. 15, 2002**

(54) **DISC PLAYER**

(75) **Inventor:** **Takashi Sogabe, Tokyo (JP)**

(73) **Assignee:** **Sony Corporation, Tokyo (JP)**

(**) **Term:** **14 Years**

(21) **Appl. No.:** **29/137,712**

(22) **Filed:** **Feb. 28, 2001**

(51) **LOC (7) Cl.** **14-99**

(52) **U.S. Cl.** **D14/258**

(58) **Field of Search** D14/125-126,
D14/156-157, 135-136, 160-162, 164,
168, 257-260; 312/7.1; 369/75.1, 75.2,
77.1, 77.2

(56) **References Cited**

U.S. PATENT DOCUMENTS

D301,476 S	*	6/1989	Scianna, Sr. et al.	D14/157
D409,607 S		5/1999	Shiono	
D421,436 S	*	3/2000	Matsuoka	D14/156
D433,393 S		11/2000	Hisatsune	

OTHER PUBLICATIONS

Catalog Sony Mobile 4 Sheets, Spring 2000, Sony Corporation.

* cited by examiner

Primary Examiner—Nanda Bondade

(74) *Attorney, Agent, or Firm*—Rader, Fishman & Grauer, PLLC

(57) **CLAIM**

The ornamental design for a disc player, as shown and described.

DESCRIPTION

FIG. 1 is a perspective view of a disc player showing my new design;

FIG. 2 is a front elevational view thereof;

FIG. 3 is a right side elevational view thereof;

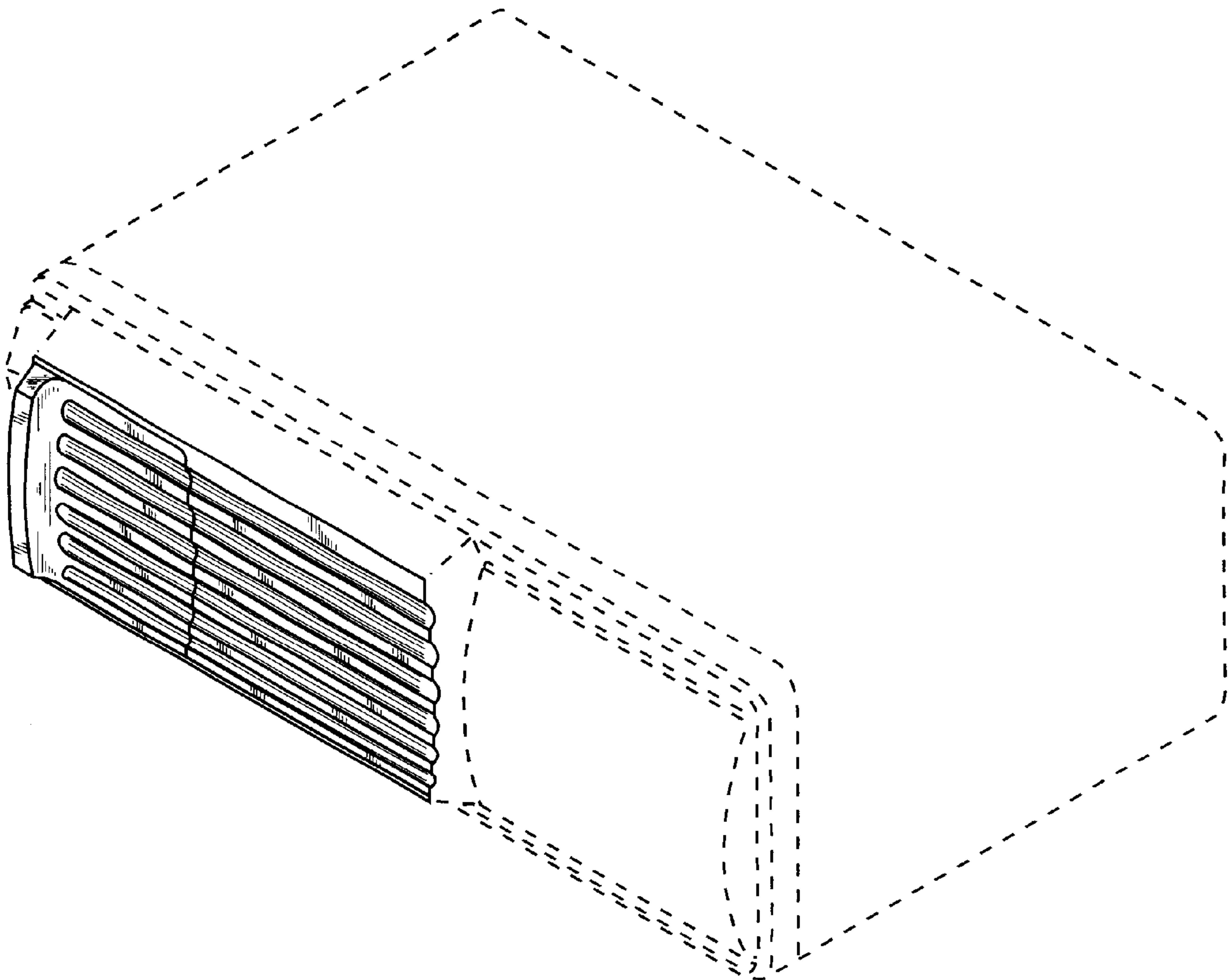
FIG. 4 is a left side elevational view thereof;

FIG. 5 is a top plan view thereof; and,

FIG. 6 is a bottom plan view thereof.

The broken line showing in FIGS. 1-6 is for illustrative purposes only and forms no part of the claimed design.

1 Claim, 4 Drawing Sheets



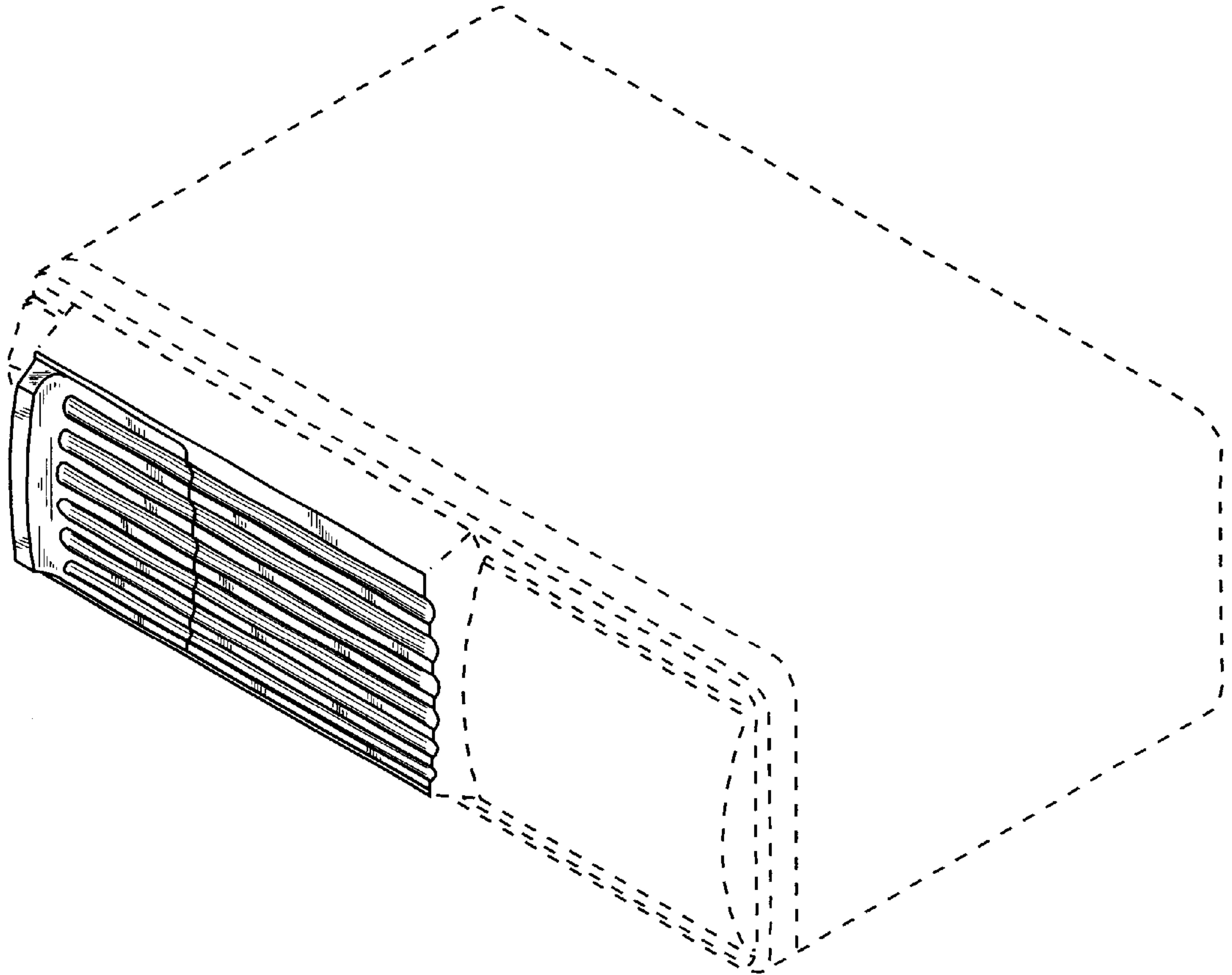


Fig. 1

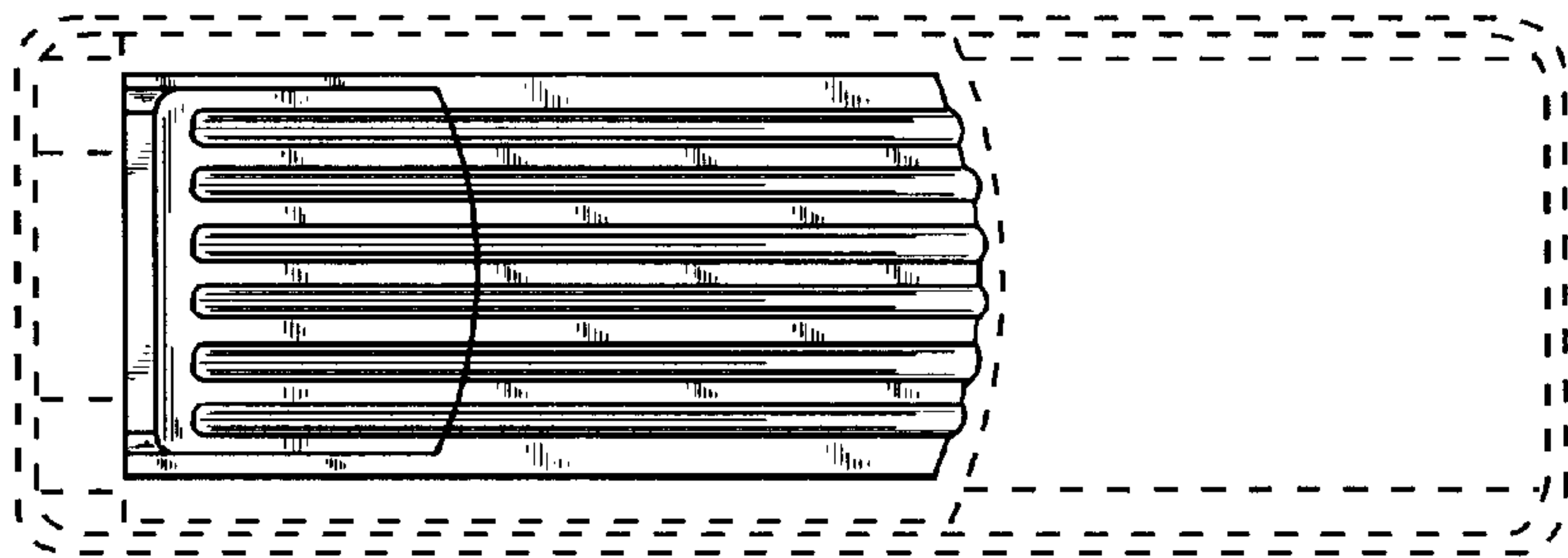


Fig. 2



Fig. 3



Fig. 4

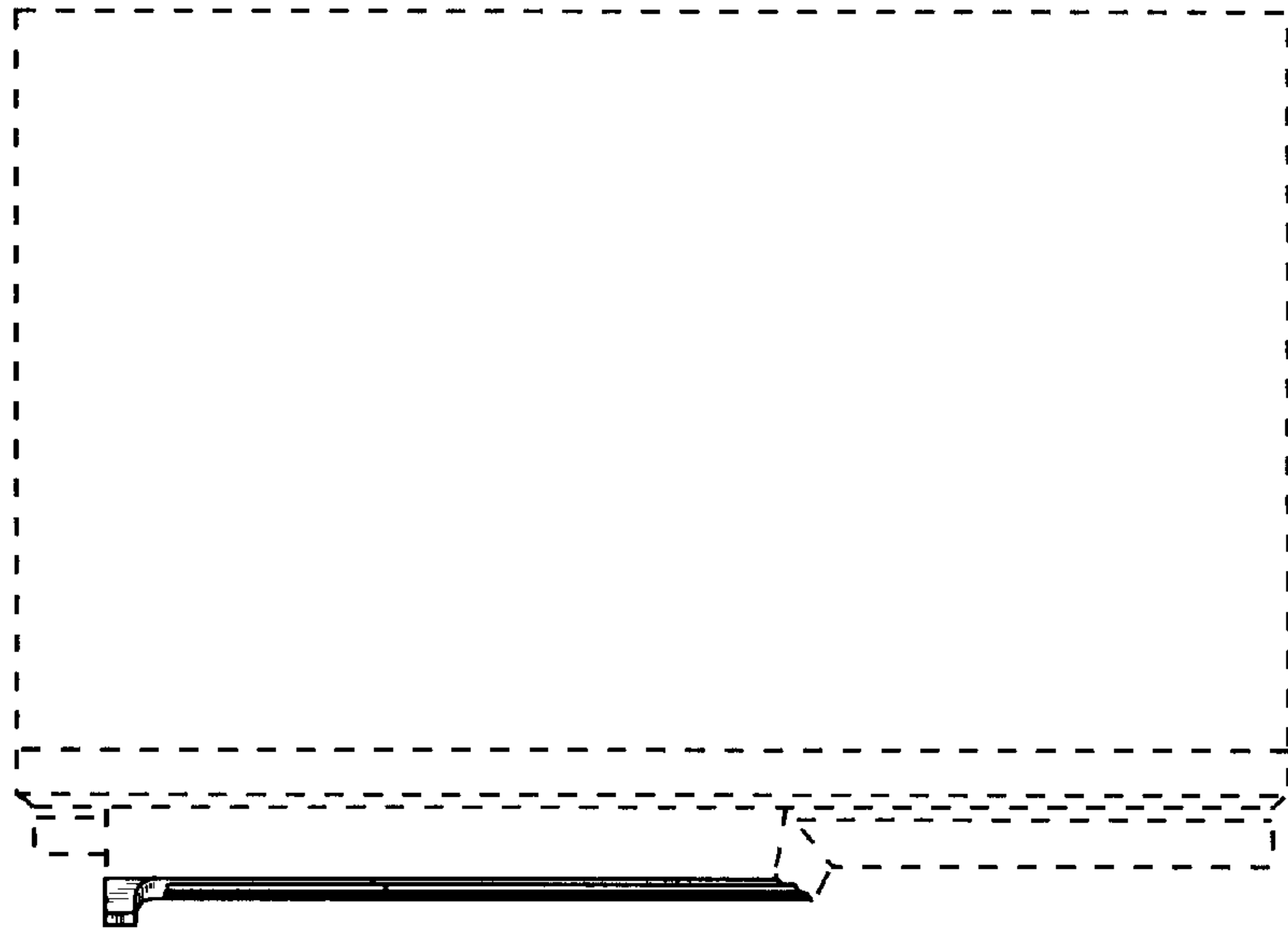


Fig. 5

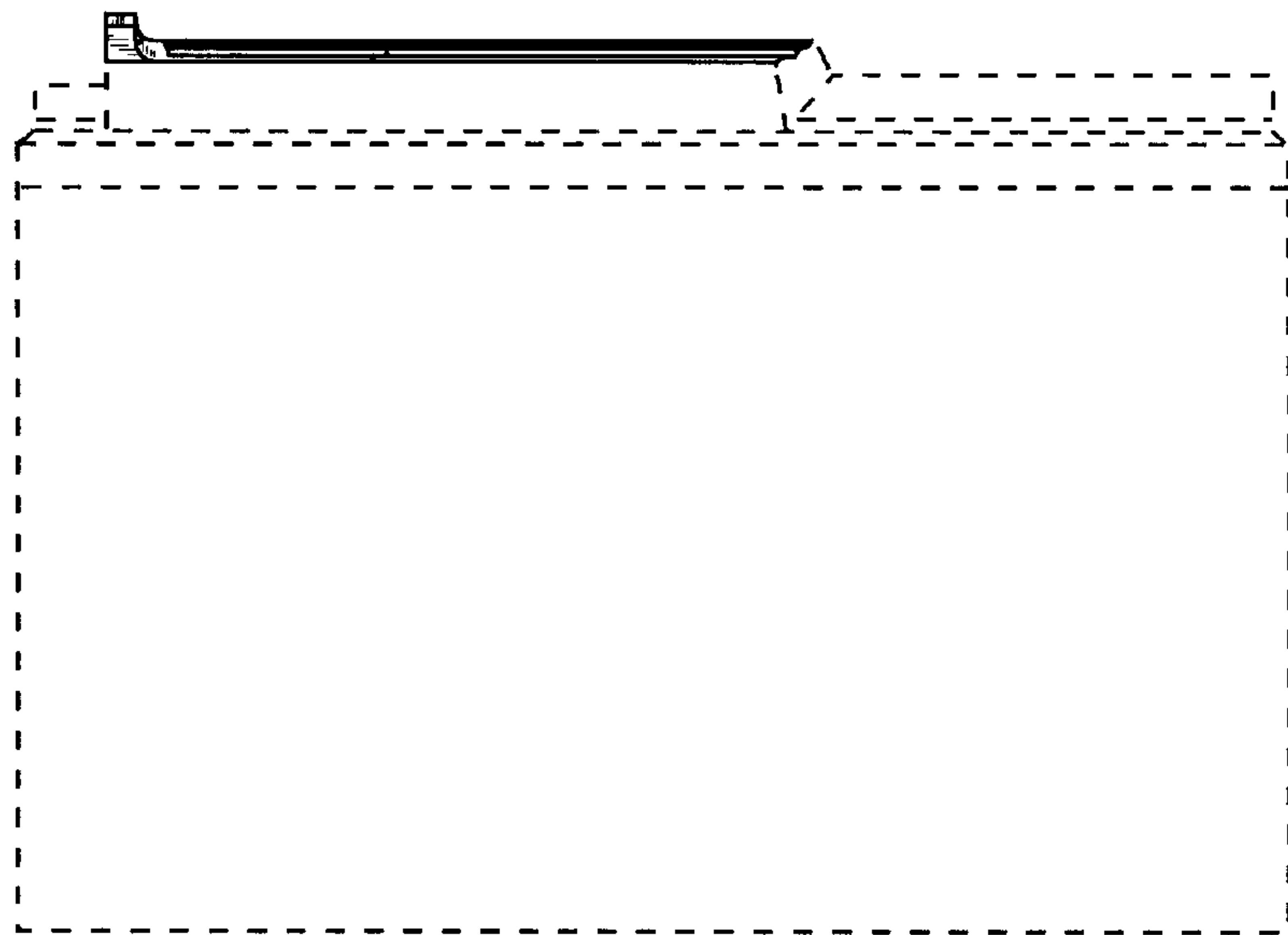


Fig. 6