



US00D452963B1

(12) **United States Design Patent**  
**Suzuki**

(10) **Patent No.:** **US D452,963 S**  
(45) **Date of Patent:** **\*\* Jan. 15, 2002**

(54) **DISC PLAYER COMBINED WITH RADIO RECEIVER AND TAPE RECORDER**

D442,574 S 5/2001 Ishii

**OTHER PUBLICATIONS**

(75) Inventor: **Satoshi Suzuki**, Tokyo (JP)

Catalog "MD-CD System", p. 10, Sony Corporation (Nov. 2000).

(73) Assignee: **Sony Corporation**, Tokyo (JP)

Home page "CD Radio cassette (CSD-EX150)", 2 pgs., Aiwa (1999-2000).

(\*\*) Term: **14 Years**

\* cited by examiner

(21) Appl. No.: **29/140,909**

*Primary Examiner*—Nanda Bondade

(22) Filed: **Apr. 27, 2001**

(74) *Attorney, Agent, or Firm*—Rader, Fishman & Grauer, PLLC

(51) **LOC (7) Cl.** ..... **14-01**

(52) **U.S. Cl.** ..... **D14/168**

(58) **Field of Search** ..... D14/135-136,  
D14/156-157, 160-165, 167-168, 188,  
193-198; 455/344, 347-351

(57) **CLAIM**

The ornamental design for a disc player combined with radio receiver and tape recorder, as shown and described.

(56) **References Cited**

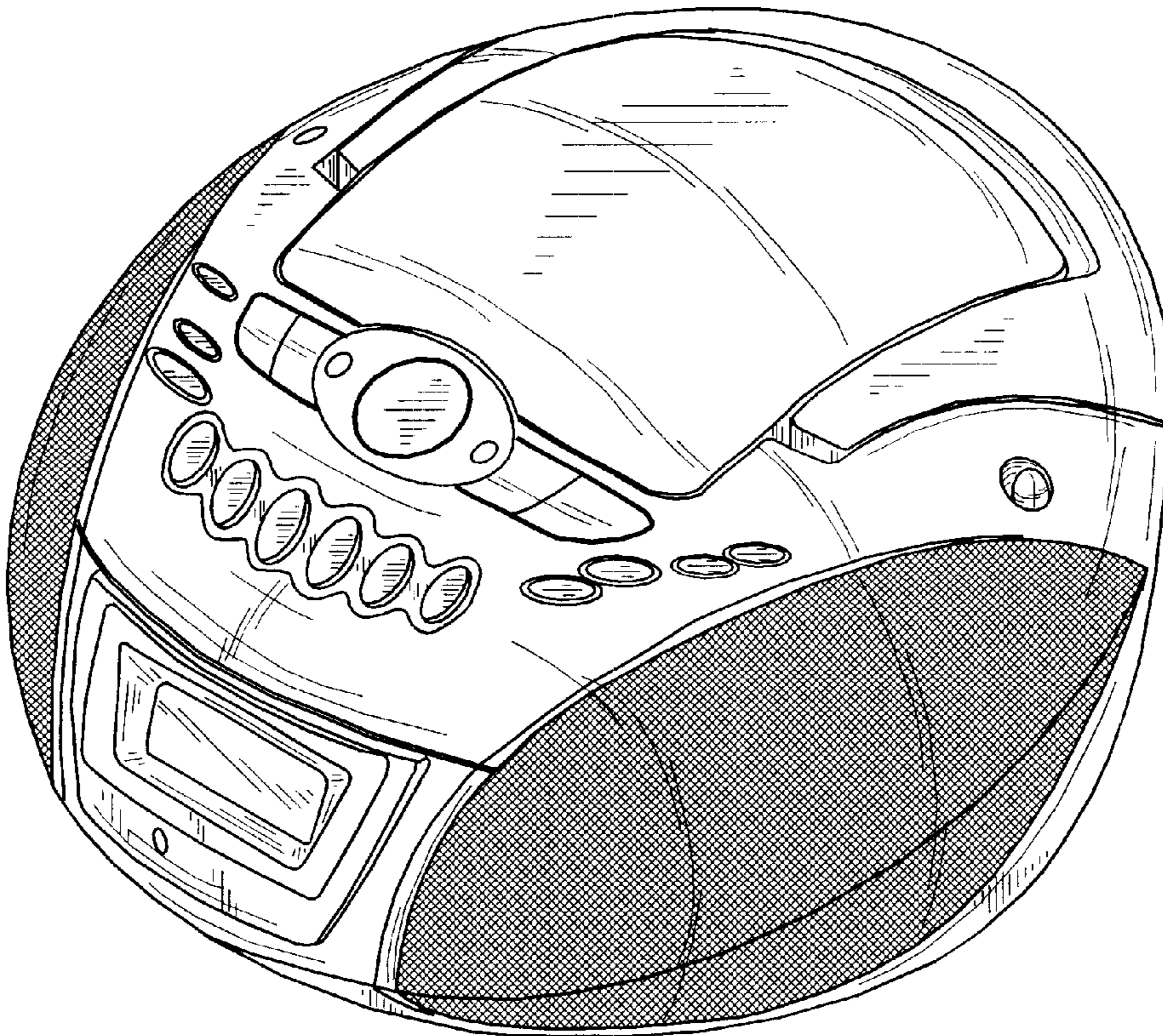
**DESCRIPTION**

**U.S. PATENT DOCUMENTS**

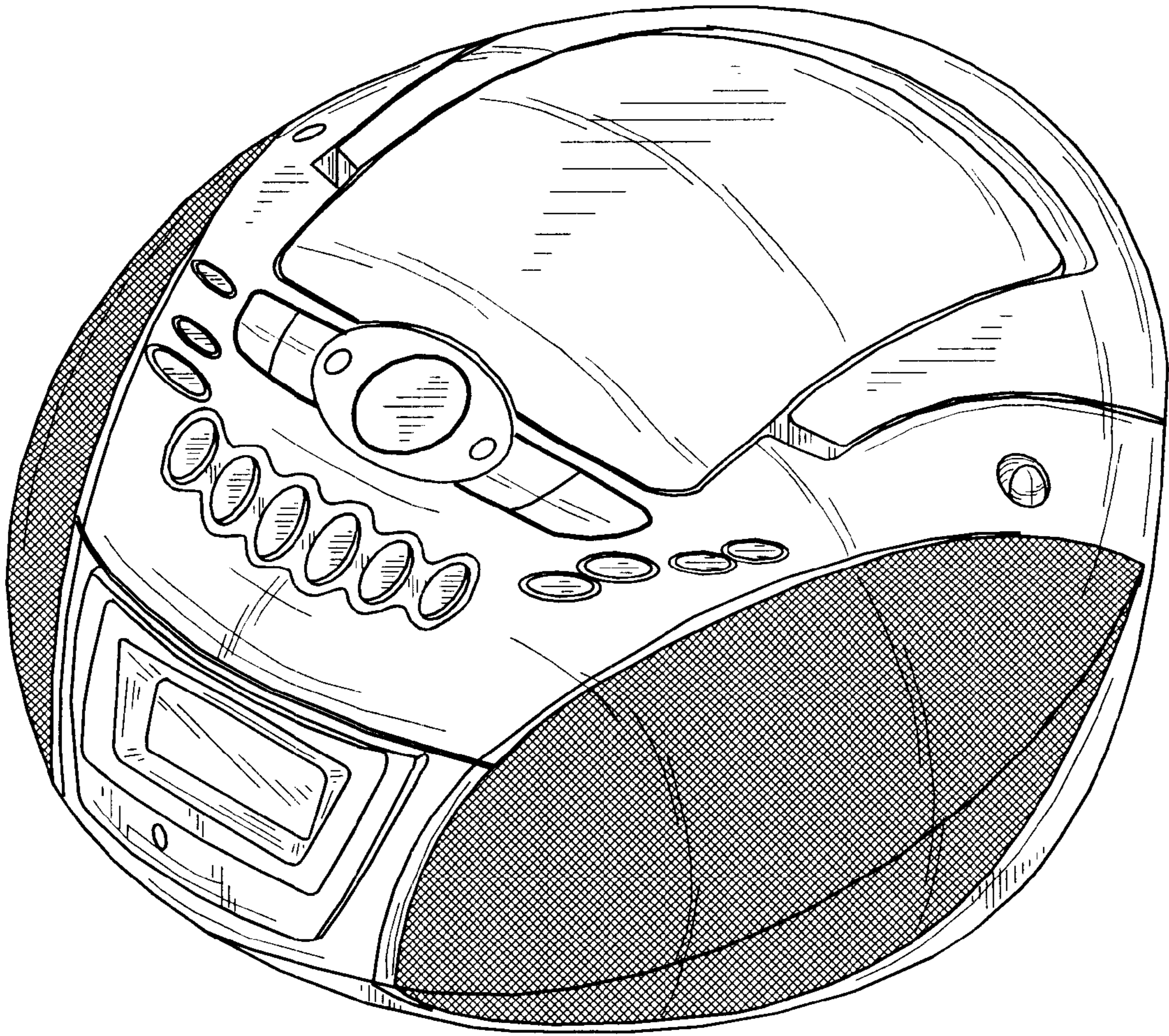
D378,590 S	*	3/1997	Zeitman	.....	D14/165
D406,843 S	*	3/1999	Zeitman	.....	D14/162
D420,000 S		2/2000	Yoneda		
D423,501 S	*	4/2000	Kokkinis	.....	D14/168
D426,224 S		6/2000	Yoneda		
D430,551 S		9/2000	Shiono		
D436,103 S		1/2001	Yamada et al.		
D440,550 S		4/2001	Nakano		
D442,160 S		5/2001	Tsuchiya		

FIG. 1 is a perspective view of a disc player combined with radio receiver and tape recorder showing my new design; FIG. 2 is a front elevational view thereof; FIG. 3 is a rear elevational view thereof; FIG. 4 is a left side elevational view thereof; FIG. 5 is a right side elevational view thereof; FIG. 6 is a top plan view thereof; and, FIG. 7 is a bottom plan view thereof.

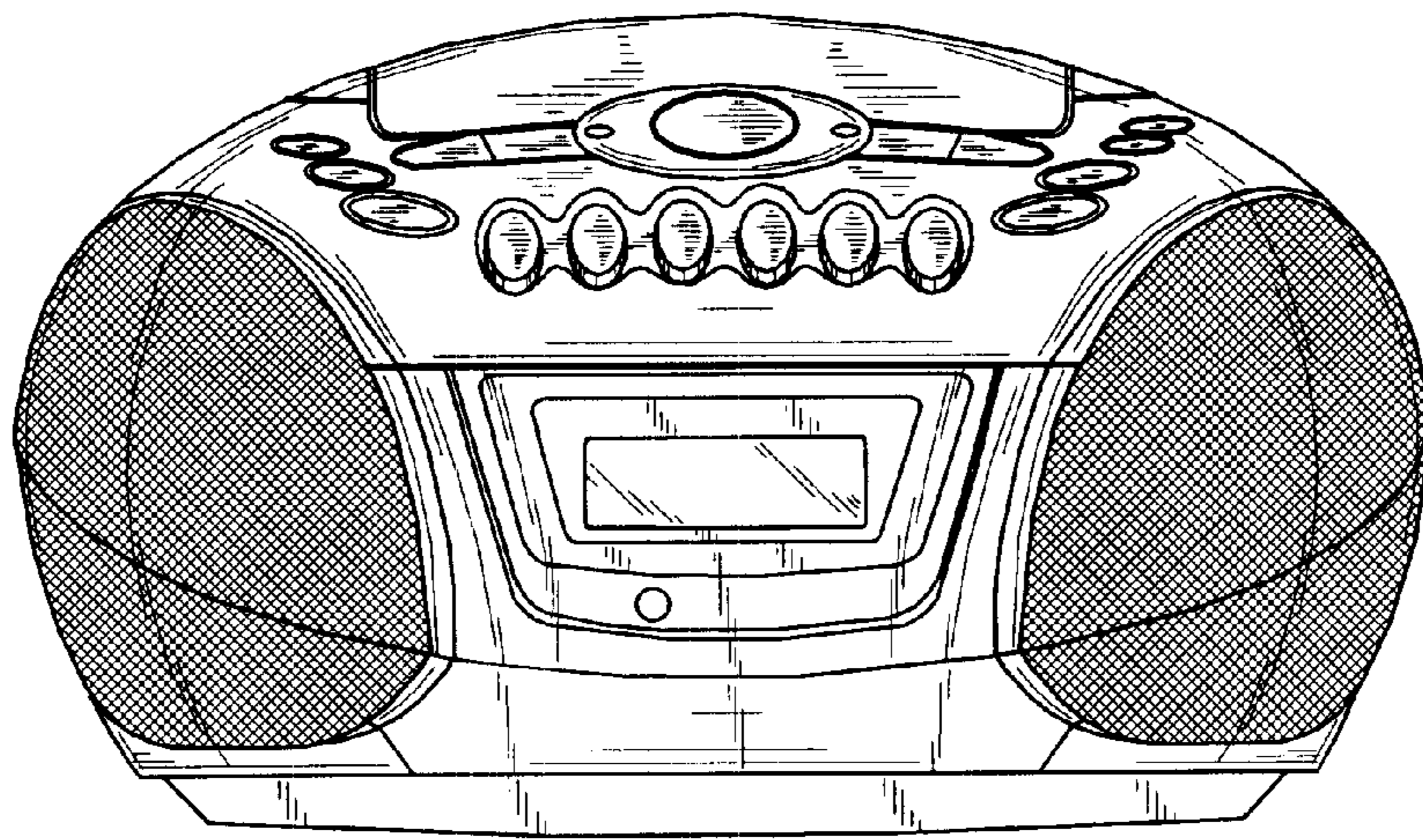
**1 Claim, 4 Drawing Sheets**



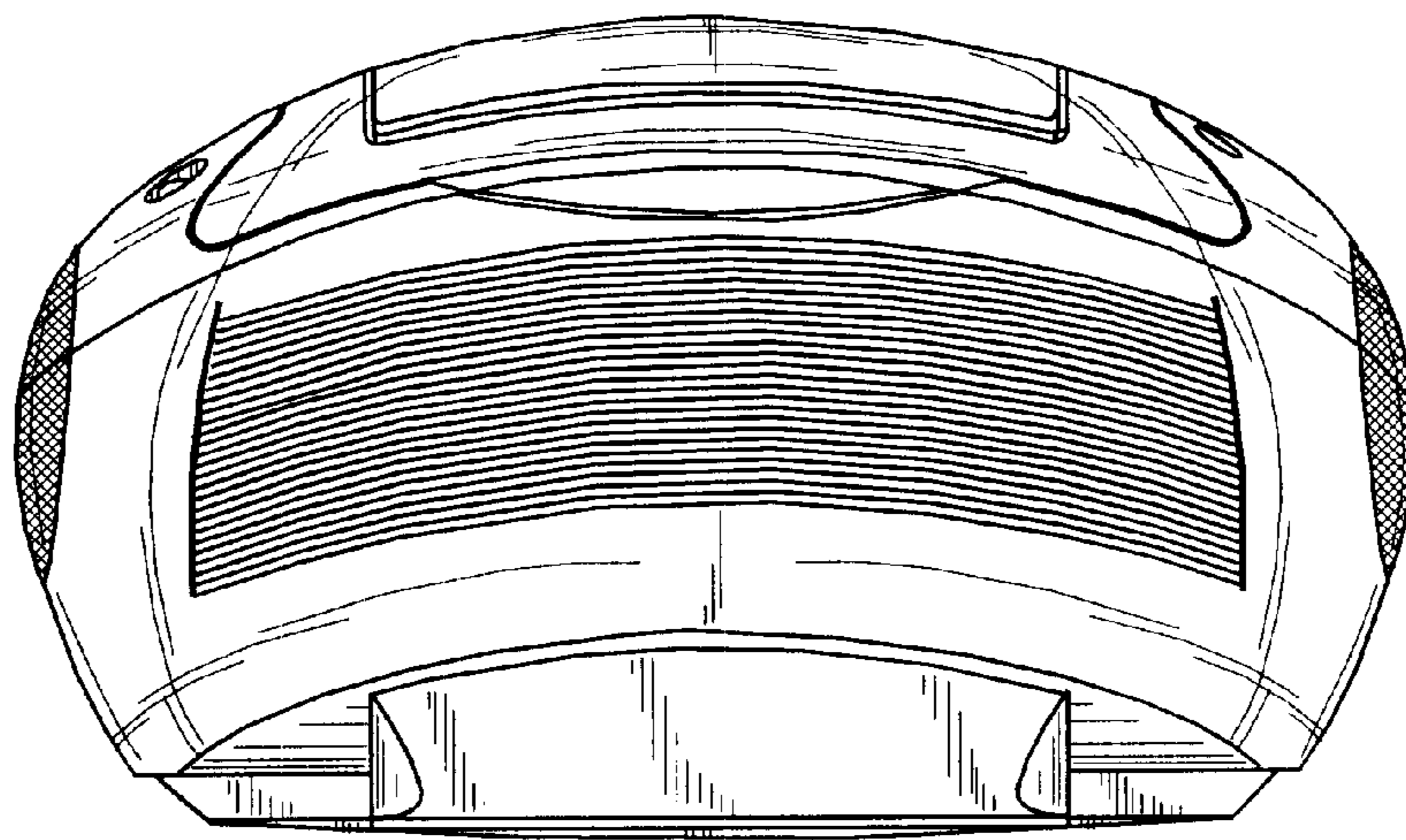




**Fig. 1**

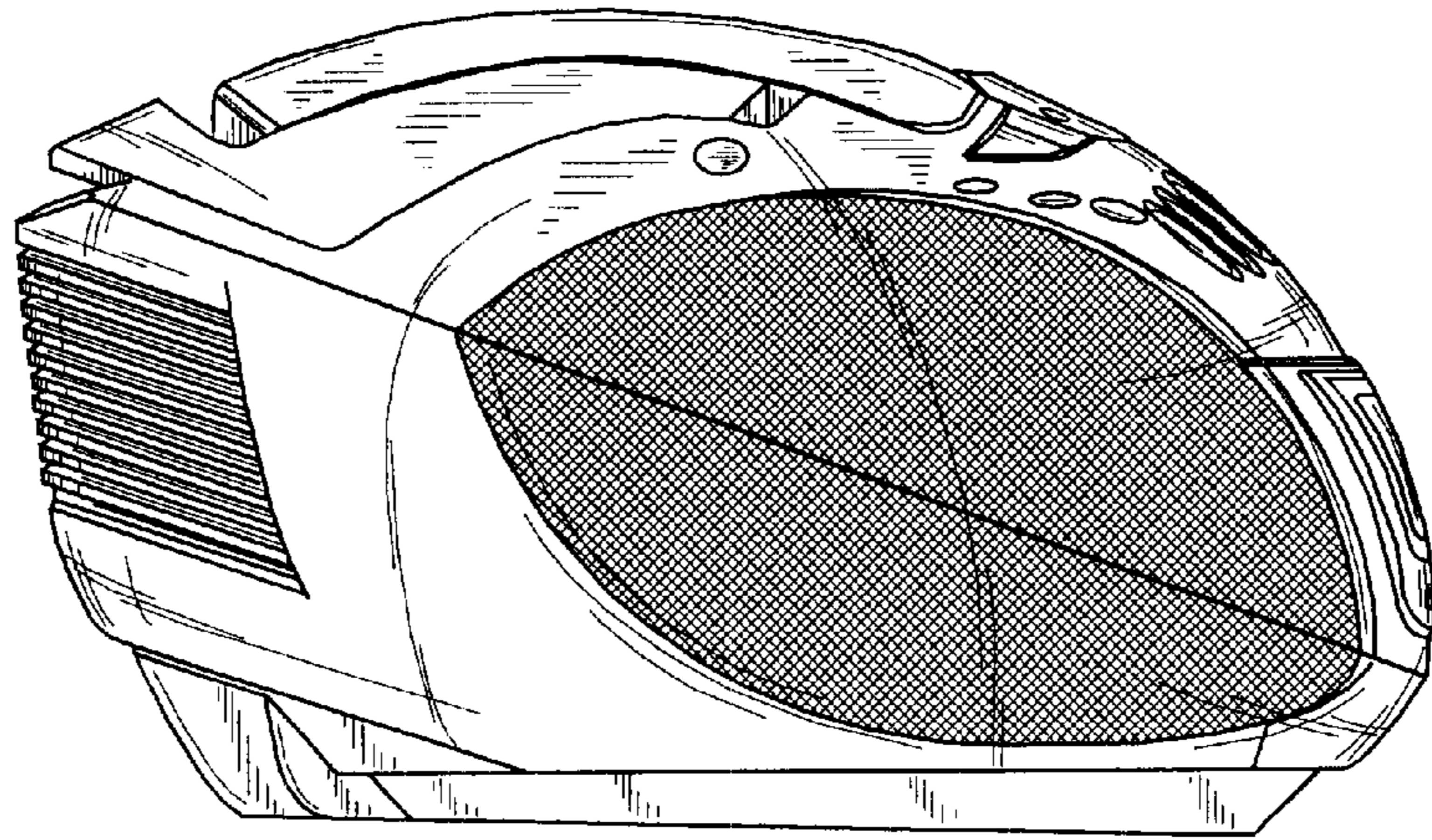


**Fig. 2**

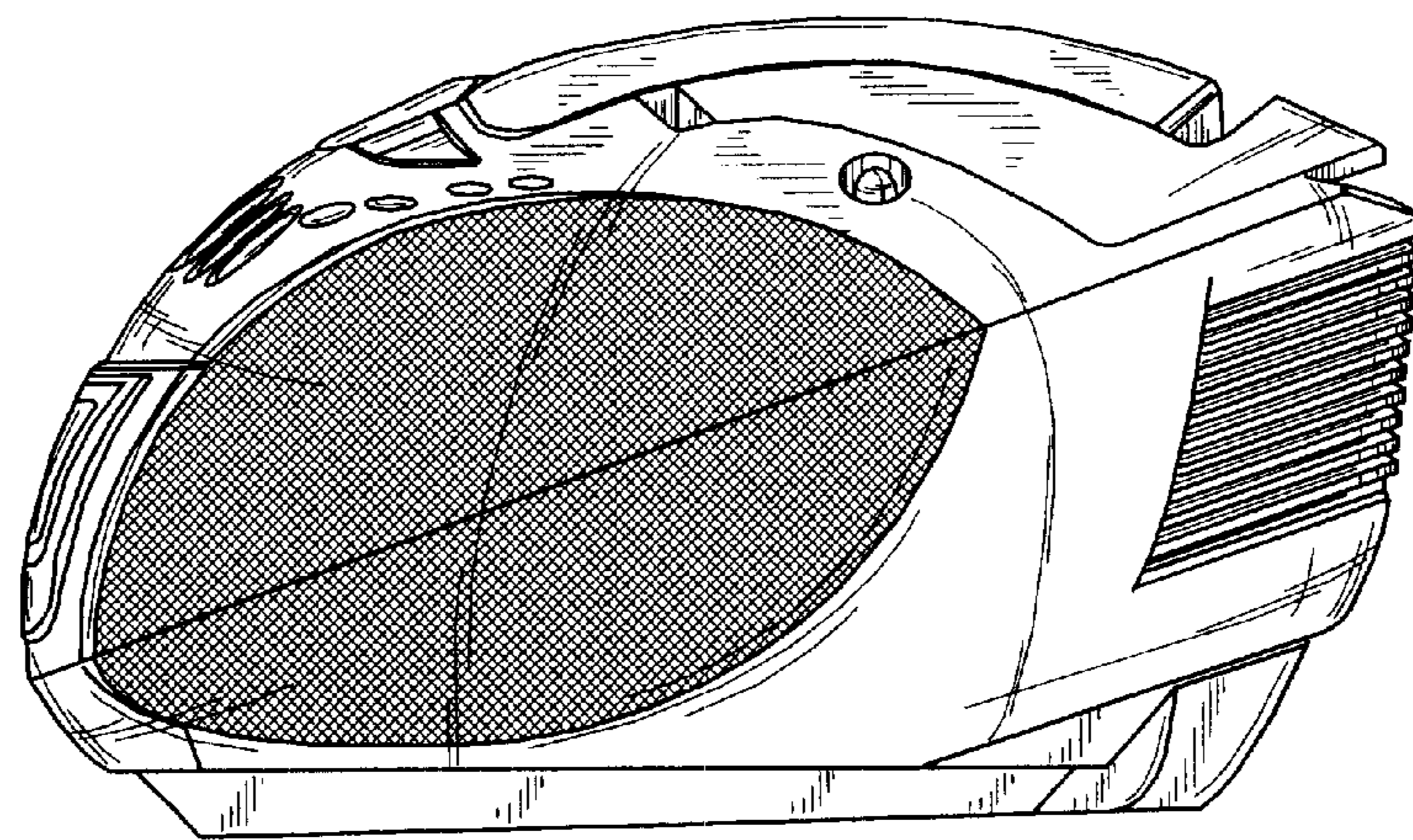


**Fig. 3**

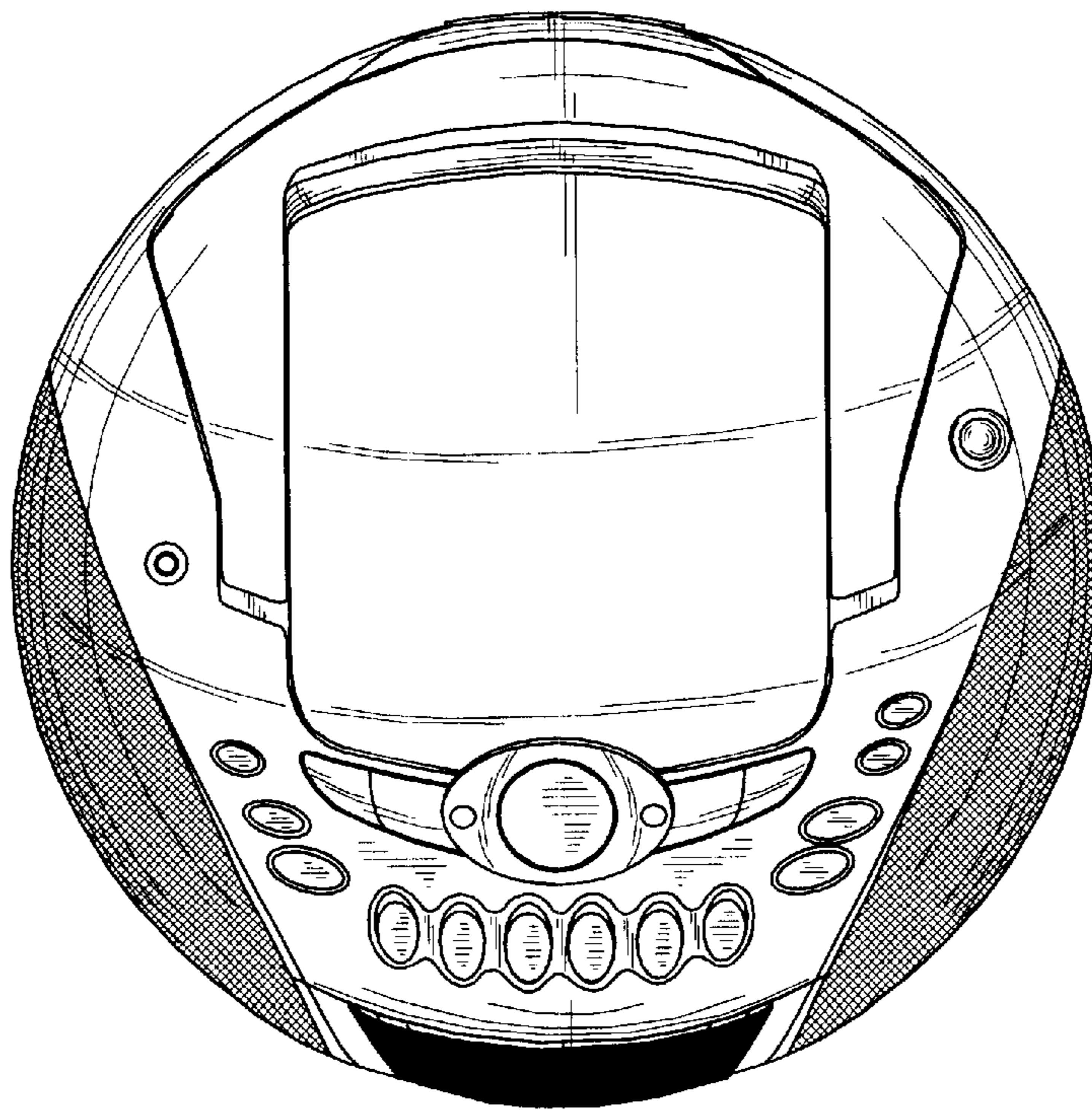




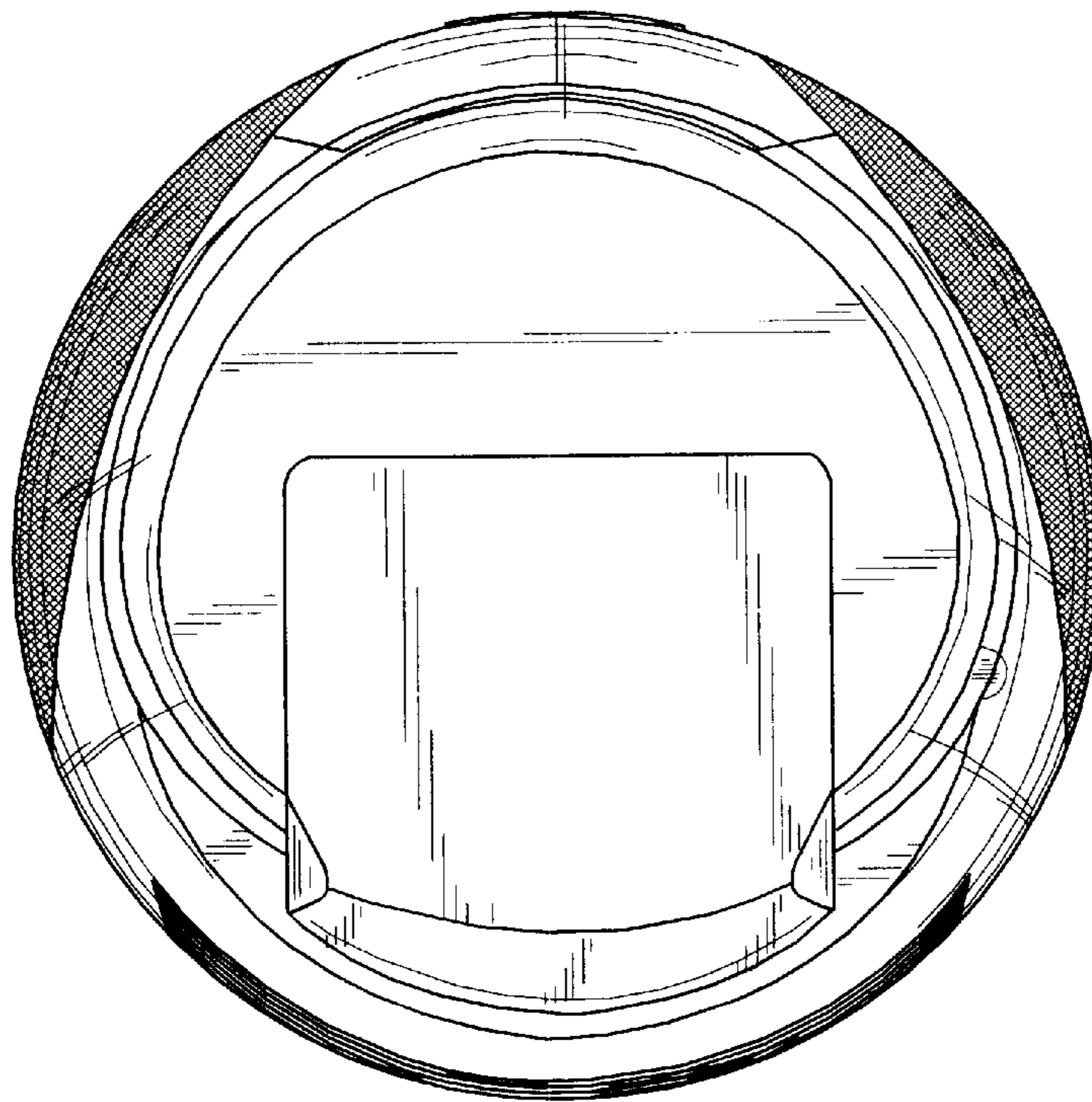
**Fig. 4**



**Fig. 5**



**Fig. 6**



**Fig. 7**