



US00D452961B1

(12) **United States Design Patent**
Zheng et al.

(10) **Patent No.:** **US D452,961 S**

(45) **Date of Patent:** **** Jan. 15, 2002**

(54) **ELECTRICAL CONNECTOR ASSEMBLY**

(75) Inventors: **Qisheng Zheng; Jingyuan You;**
Xinghai Xiang, all of Kunsan (CN)

(73) Assignee: **Hon Hai Precision Ind. Co., Ltd.**,
Taipei Hsien (TW)

(**) Term: **14 Years**

(21) Appl. No.: **29/134,778**

(22) Filed: **Dec. 28, 2000**

(30) **Foreign Application Priority Data**

Dec. 15, 2000 (TW) 089308359

(51) **LOC (7) Cl.** **13-03**

(52) **U.S. Cl.** **D13/147**

(58) **Field of Search** D13/146, 147;
439/607-610, 540.1, 541.5, 108, 79

(56) **References Cited**

U.S. PATENT DOCUMENTS

5,102,353 A * 4/1992 Brunker et al. 439/608
5,304,069 A * 4/1994 Brunker et al. 439/108

D414,162 S * 9/1999 Huang D13/147
D414,465 S * 9/1999 Hsu et al. D13/147
D420,979 S * 2/2000 Chang D13/146
6,074,248 A * 6/2000 Huang 439/541.5
6,168,462 B1 * 1/2001 Liao 439/541.5

* cited by examiner

Primary Examiner—Joel Sincavage

(74) *Attorney, Agent, or Firm*—Wei Te Chung

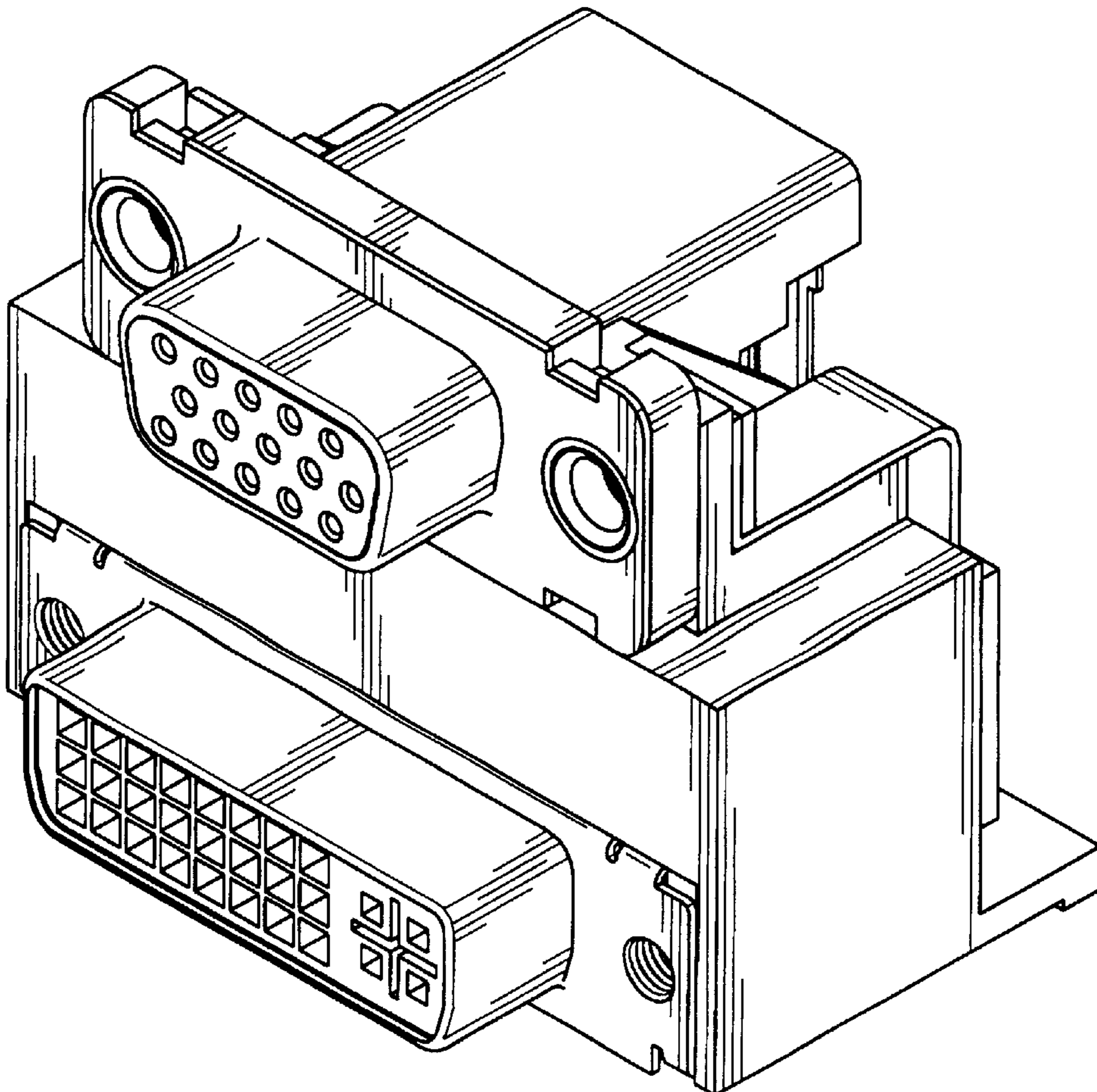
(57) **CLAIM**

The ornamental design for an electrical connector assembly,
as shown.

DESCRIPTION

FIG. 1 is a front, top and right side perspective view of an
electrical connector assembly showing our new design;
FIG. 2 is a front elevational view thereof;
FIG. 3 is a rear elevational view thereof;
FIG. 4 is a left side elevational view thereof;
FIG. 5 is a right side elevational view thereof;
FIG. 6 is a top plan view thereof; and,
FIG. 7 is a bottom plan view thereof.

1 Claim, 7 Drawing Sheets



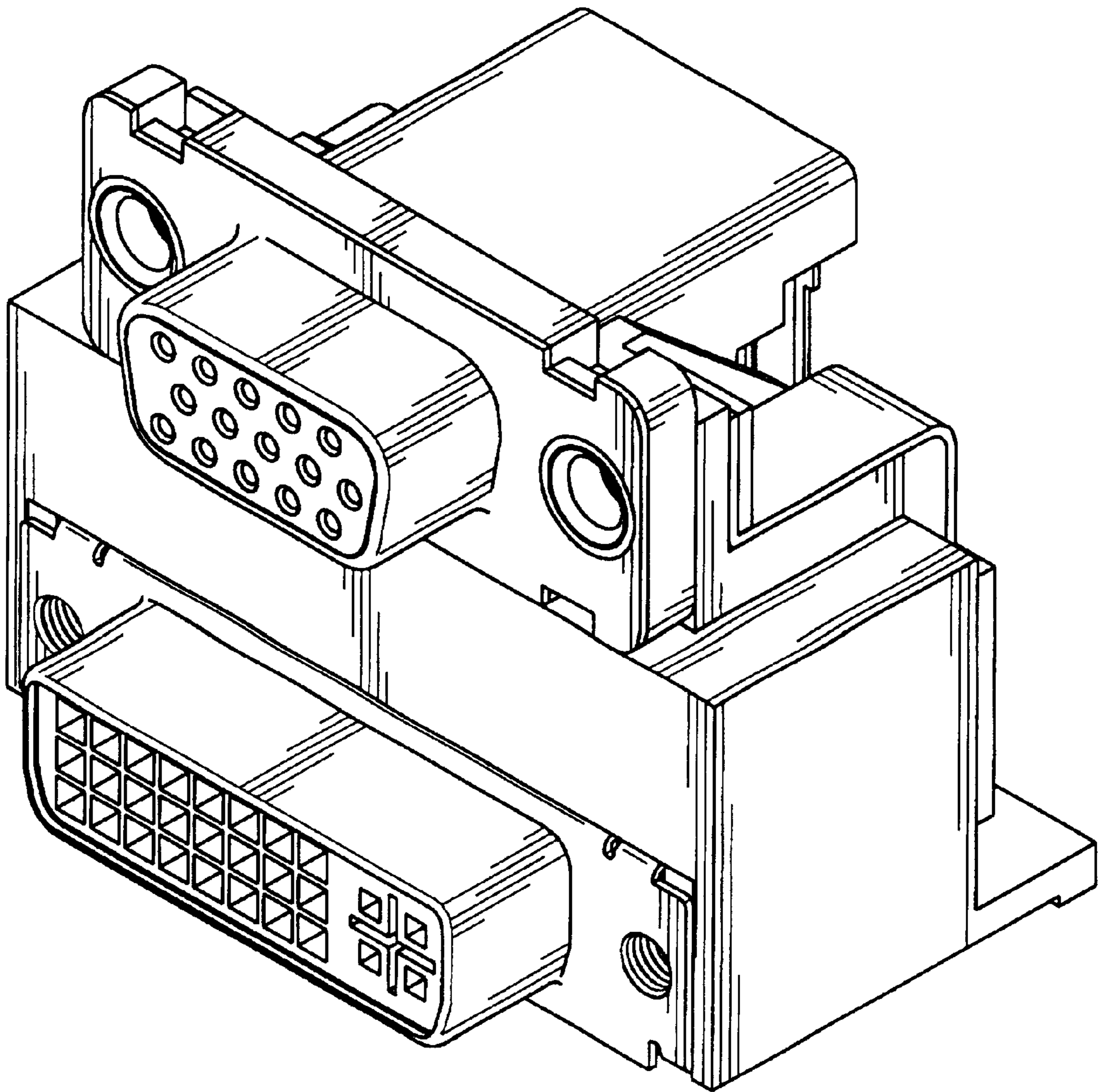


FIG. 1

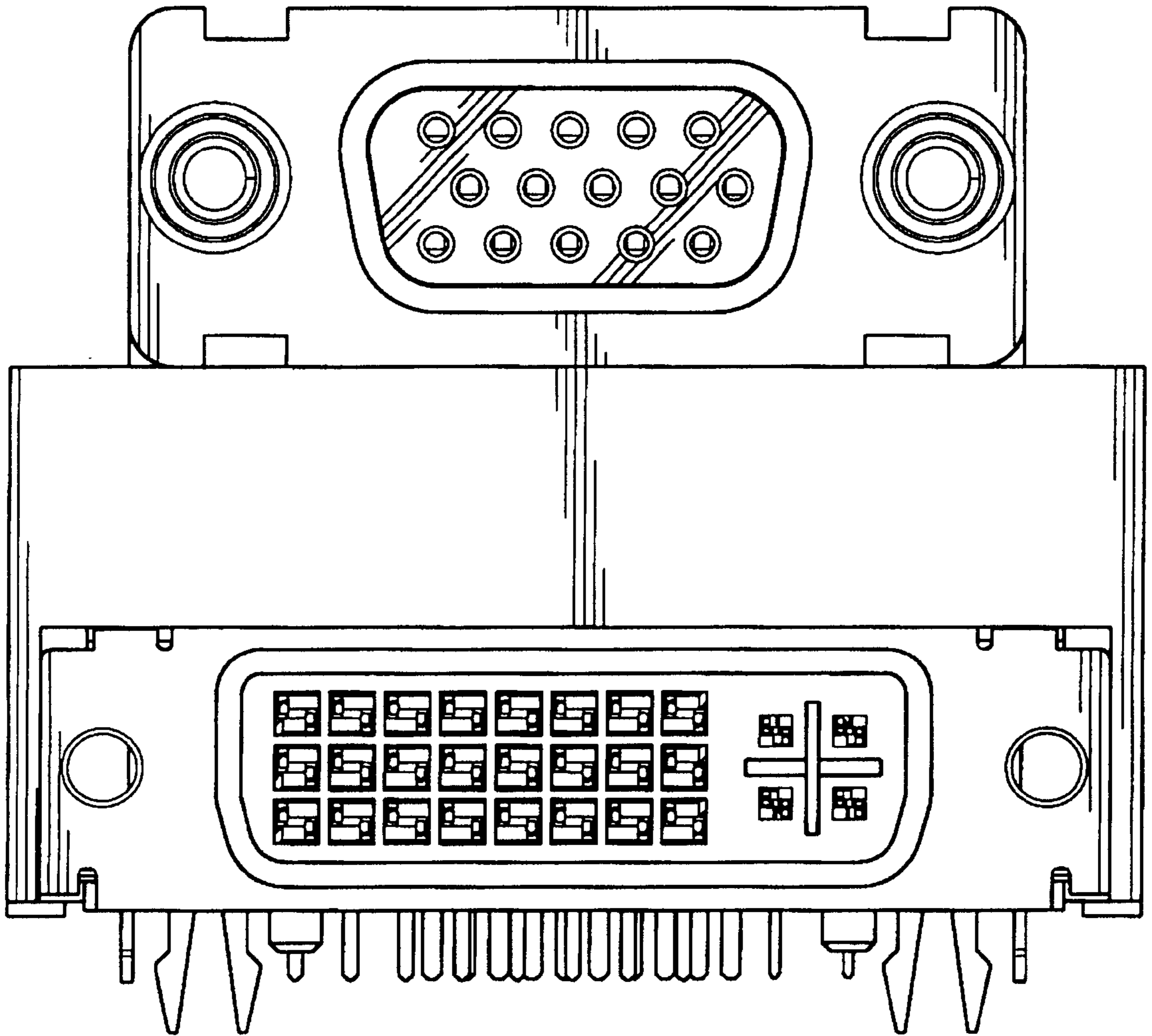


FIG. 2

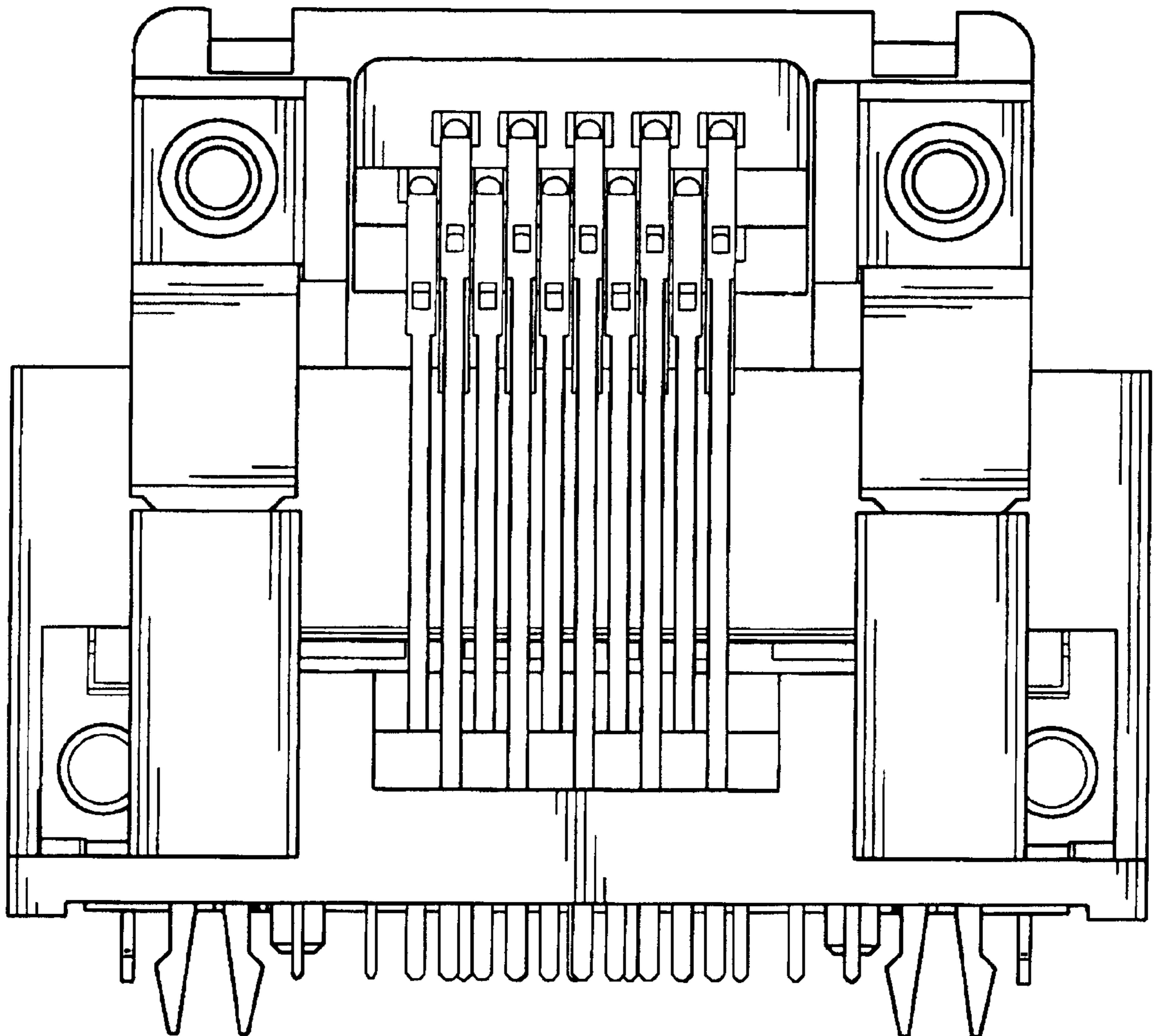


FIG. 3

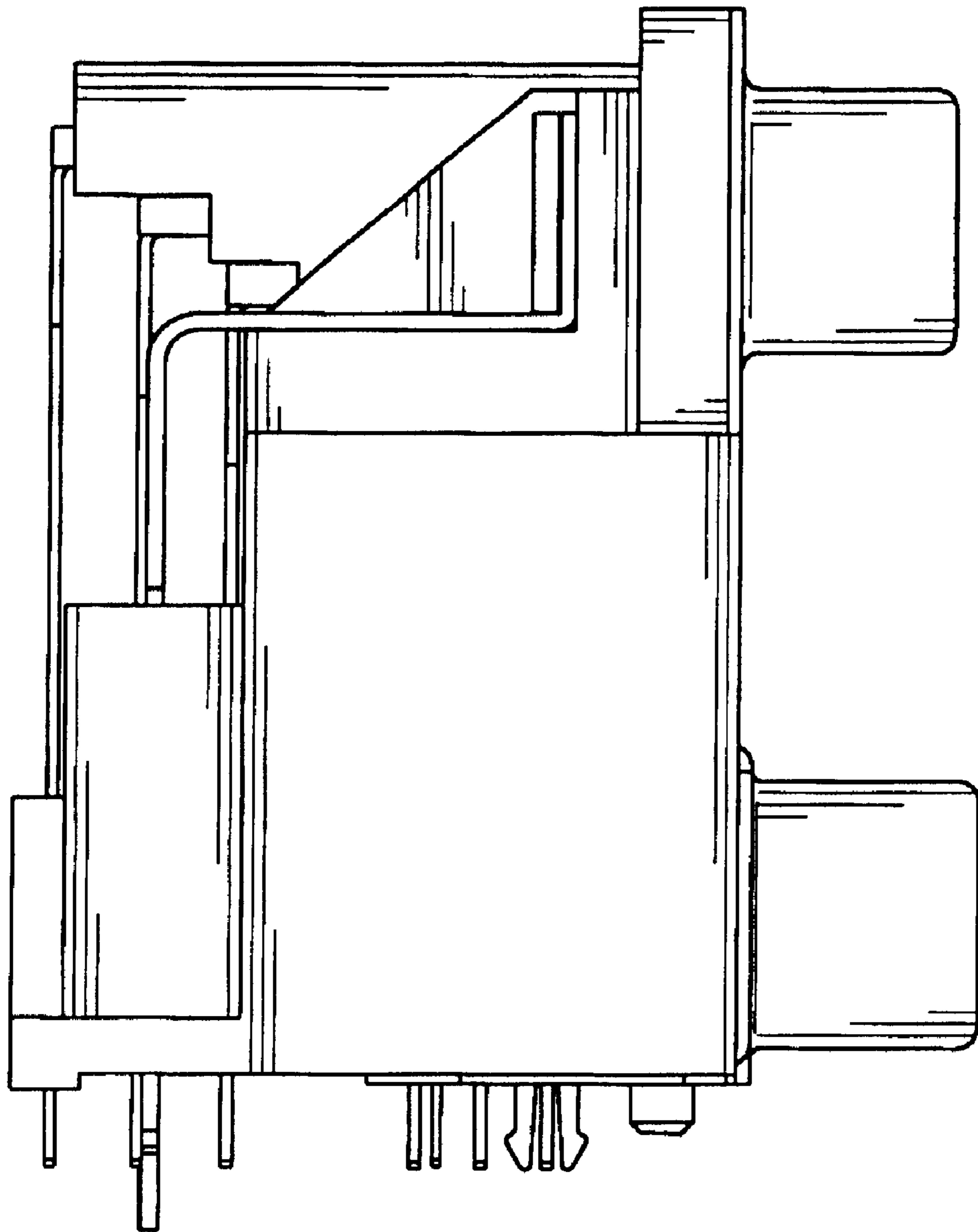


FIG. 4

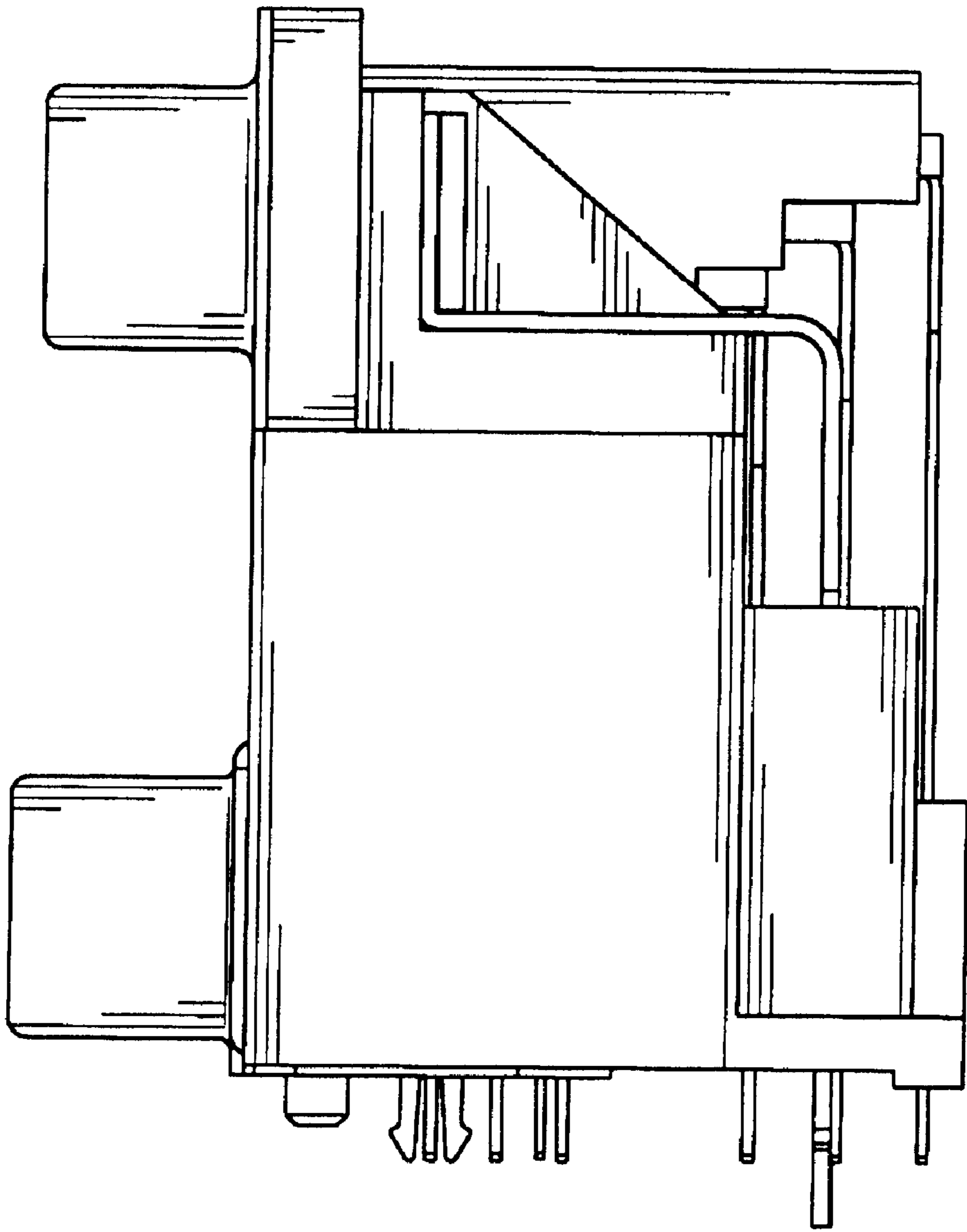


FIG. 5

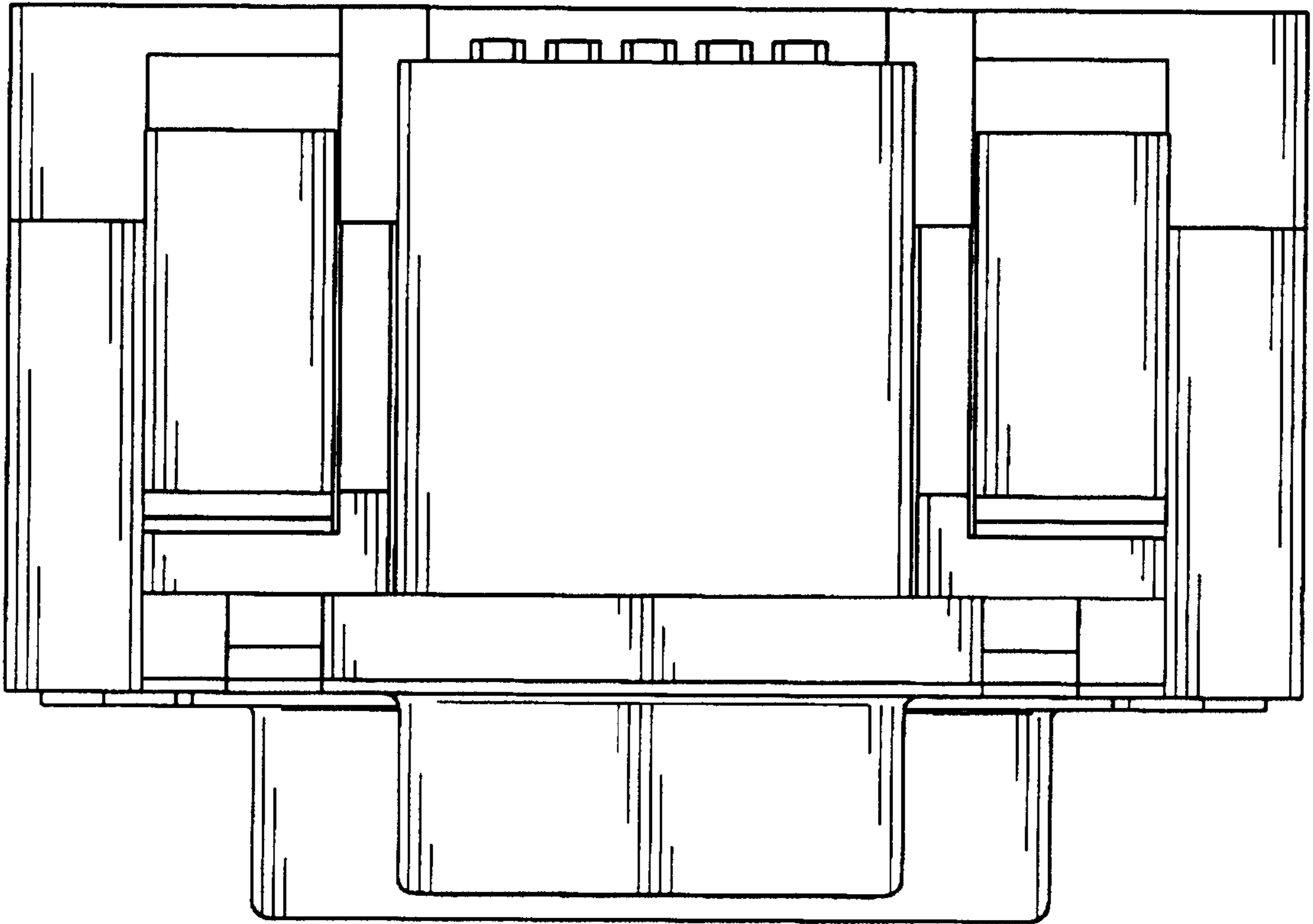


FIG. 6

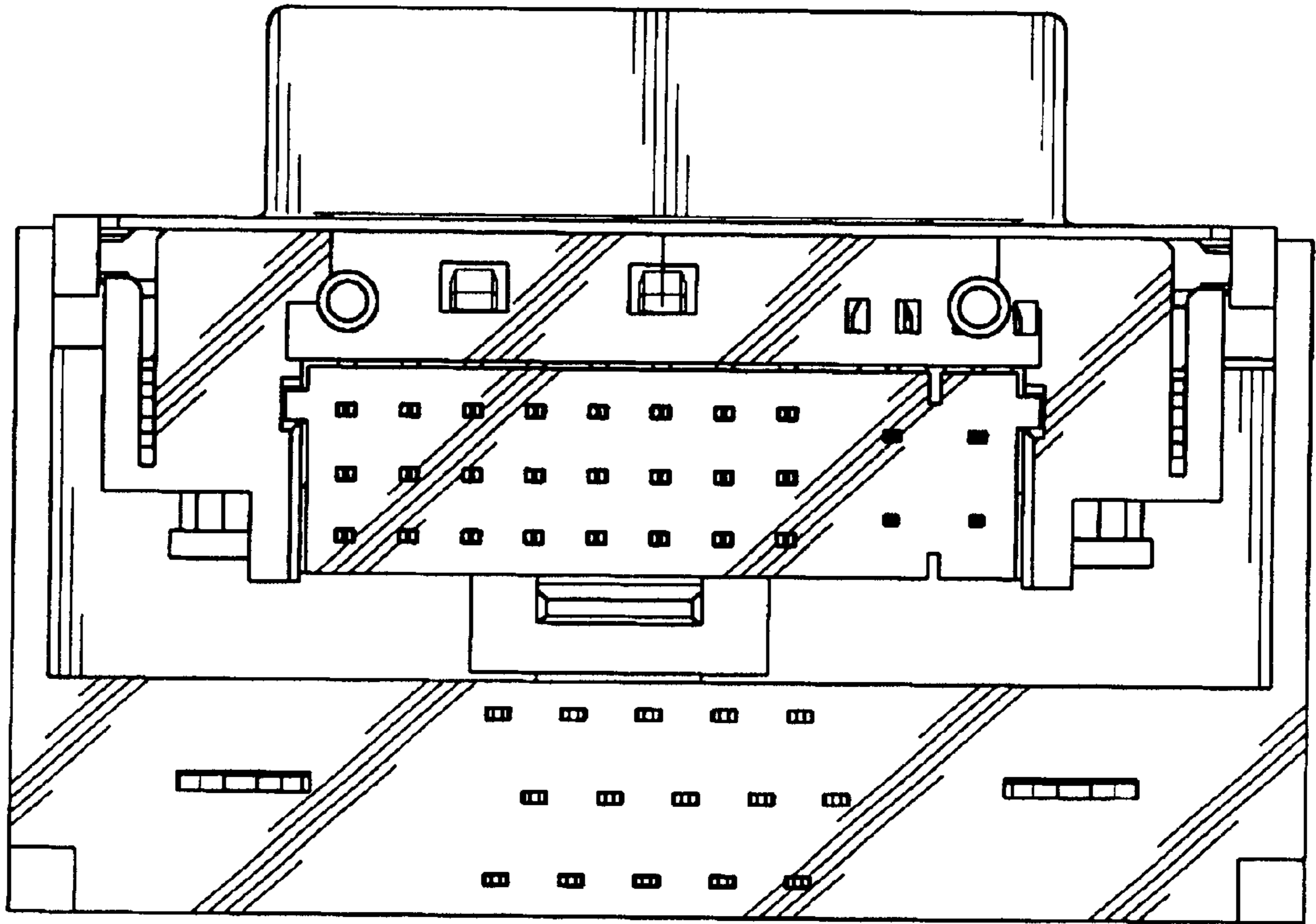


FIG. 7