



US00D452947B1

(12) **United States Design Patent**
Terashima

(10) **Patent No.:** **US D452,947 S**

(45) **Date of Patent:** **** Jan. 15, 2002**

(54) **CLEAT**

(75) **Inventor:** **Yasuyuki Terashima, Nagoya (JP)**

(73) **Assignee:** **Japana Co., Ltd., Nagoya (JP)**

(**) **Term:** **14 Years**

(21) **Appl. No.:** **29/126,631**

(22) **Filed:** **Jul. 21, 2000**

(30) **Foreign Application Priority Data**

Jan. 21, 2000 (JP) 12-000714

(51) **LOC (7) Cl. 02-04**

(52) **U.S. Cl. D2/962**

(58) **Field of Search** D2/962, 906; 36/127,
36/134, 67 R, 67 A, 67 B, 67 C, 59 A,
59 B, 59 R, 61, 62, 64, 65, 66

(56) **References Cited**

U.S. PATENT DOCUMENTS

D373,675 S	9/1996	McMullin	
D375,192 S	* 11/1996	Bathum	D2/962
D378,013 S	2/1997	McMullin	
D380,076 S	6/1997	McMullin	
D385,988 S	11/1997	McMullin	
D387,548 S	12/1997	McMullin	
D389,299 S	1/1998	McMullin	
D390,693 S	2/1998	Curley, Jr.	
D392,451 S	* 3/1998	Collins et al.	D2/962
5,794,367 A	* 8/1998	Carroll	36/134
D401,046 S	11/1998	McMullin	
D404,192 S	1/1999	McMullin	
D406,447 S	* 3/1999	Ronci	D2/962

D407,893 S	4/1999	McMullin	
D408,122 S	4/1999	McMullin	
5,940,993 A	* 8/1999	Ronci	36/134
D415,340 S	10/1999	McMullin	
5,964,048 A	* 10/1999	Shieh	36/134
D416,127 S	11/1999	Silvers	
6,009,640 A	* 1/2000	Deacon et al.	36/134
6,023,860 A	* 2/2000	McMullin	36/134
6,052,923 A	* 4/2000	McMullin	36/134
D432,770 S	* 10/2000	Breault et al.	D2/962
D436,248 S	* 1/2001	Peabody	D2/962
D439,397 S	* 3/2001	Shieh	D2/962
6,233,850 B1	* 5/2001	Peabody	36/134

* cited by examiner

Primary Examiner—Louis S. Zarfaz

Assistant Examiner—Gregory Andoll

(74) *Attorney, Agent, or Firm*—Finnegan, Henderson, Farabow, Garrett, & Dunner, L.L.P.

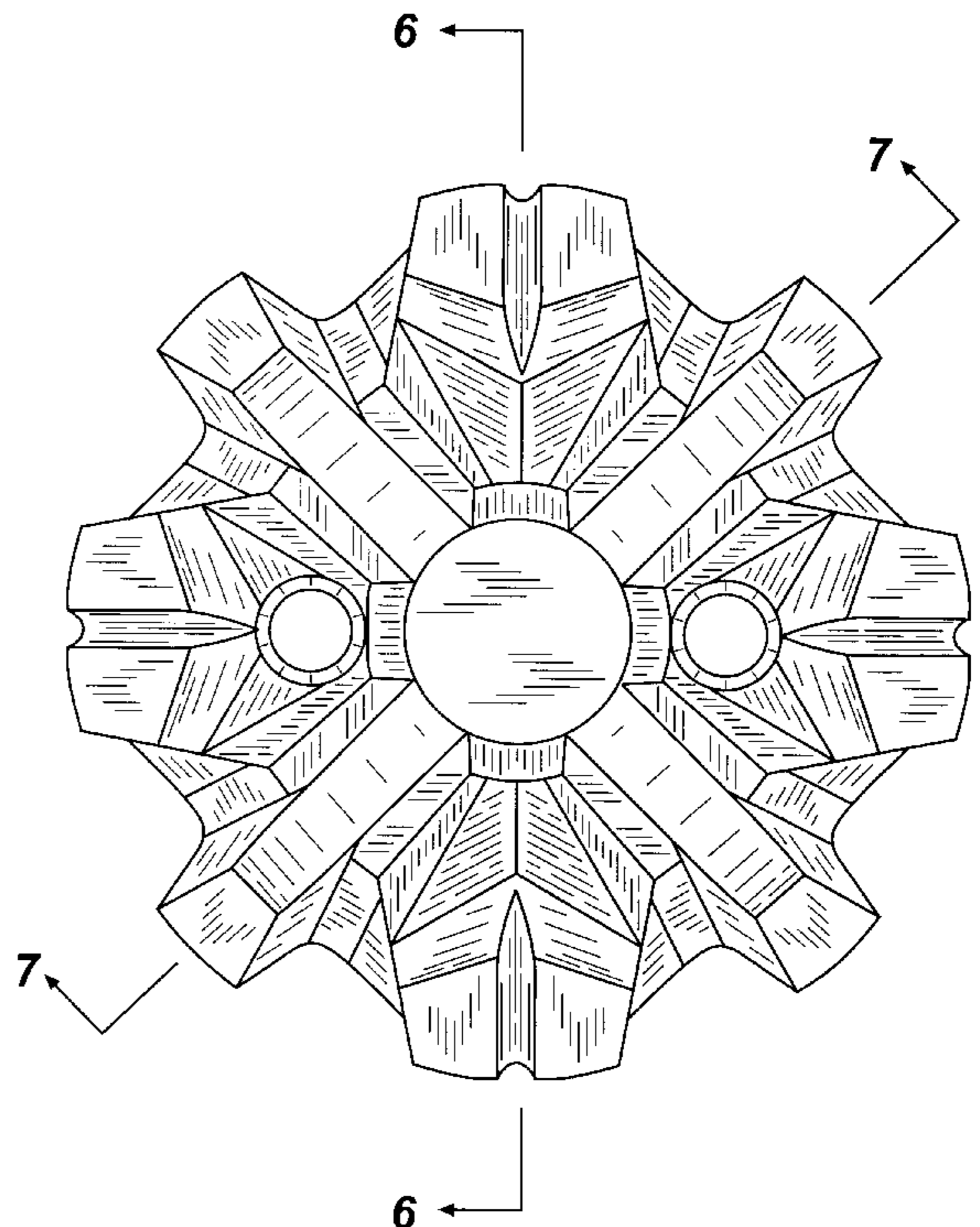
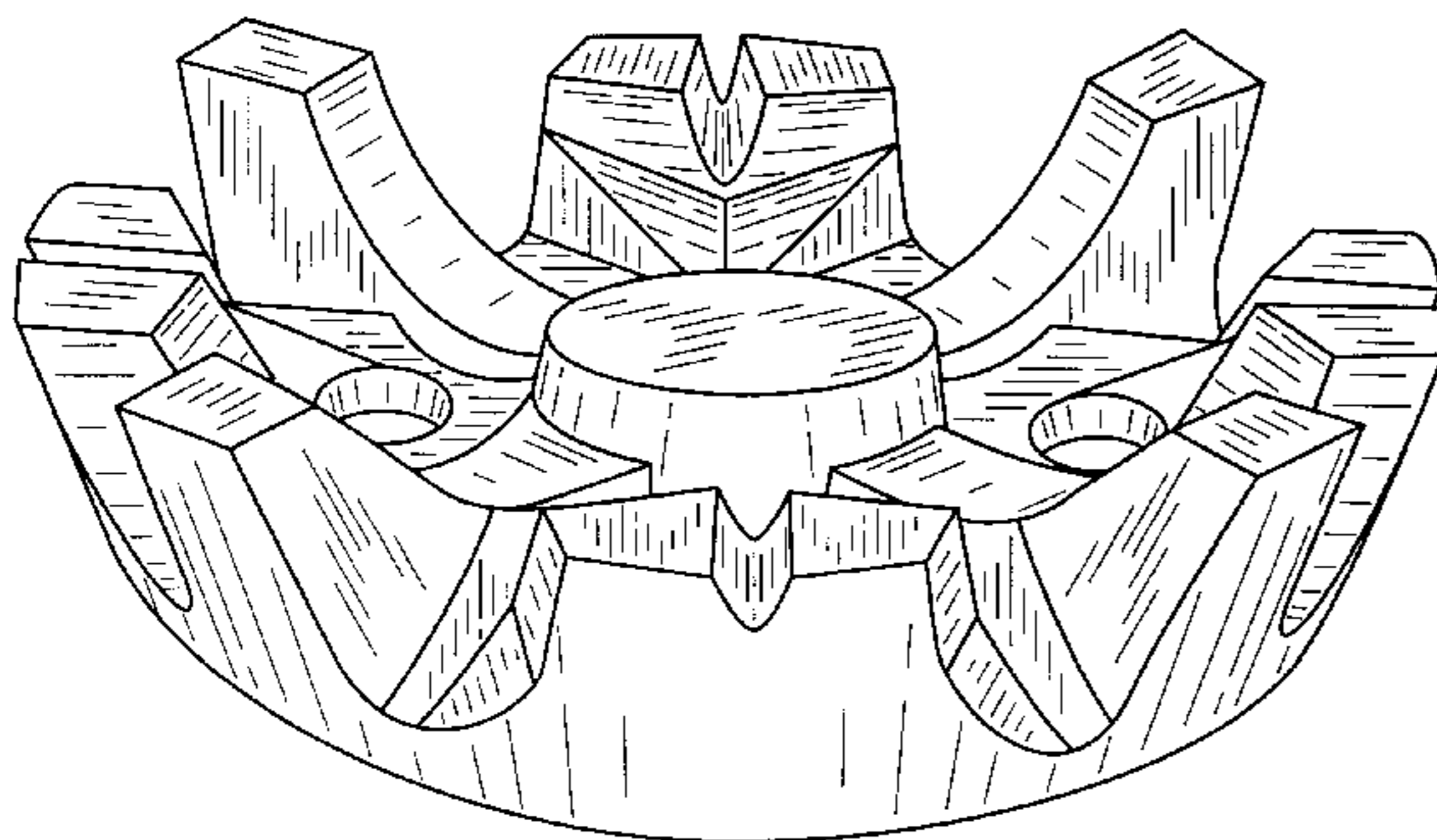
(57) **CLAIM**

The ornamental design for a cleat, as shown and described.

DESCRIPTION

FIG. 1 is a perspective view of a cleat embodying my design; FIG. 2 is a top-plan view thereof; FIG. 3 is a bottom-plan view thereof; FIG. 4 is a front-side elevational view thereof; FIG. 5 is a right-side elevational view thereof; FIG. 6 is a sectional view taken along line 6—6 of FIG. 2; and, FIG. 7 is a sectional view taken along line 7—7 of FIG. 2. The broken lines in the Figures are for illustrative purposes only and form no part of the claimed design.

1 Claim, 7 Drawing Sheets



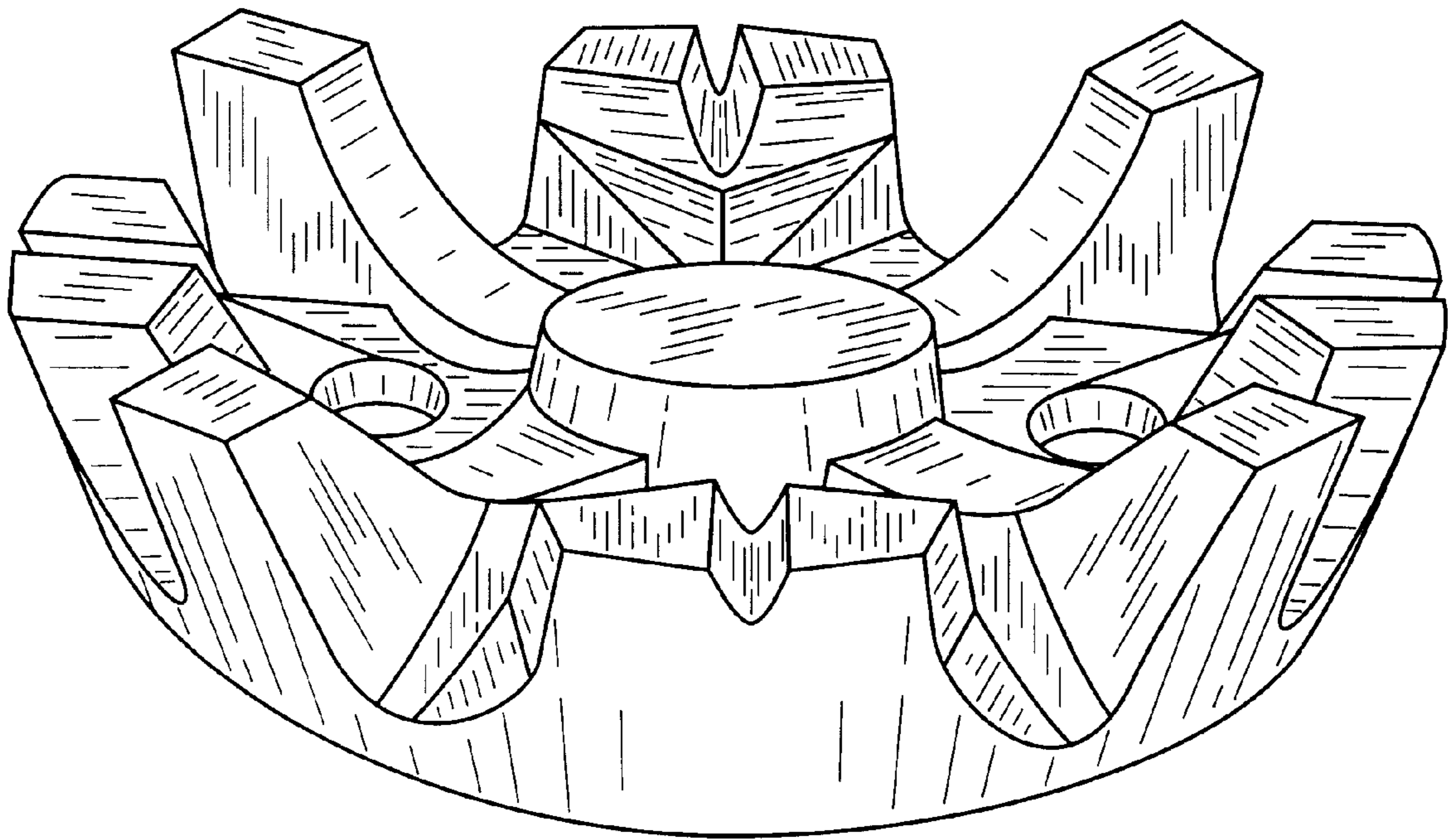


FIG. 1

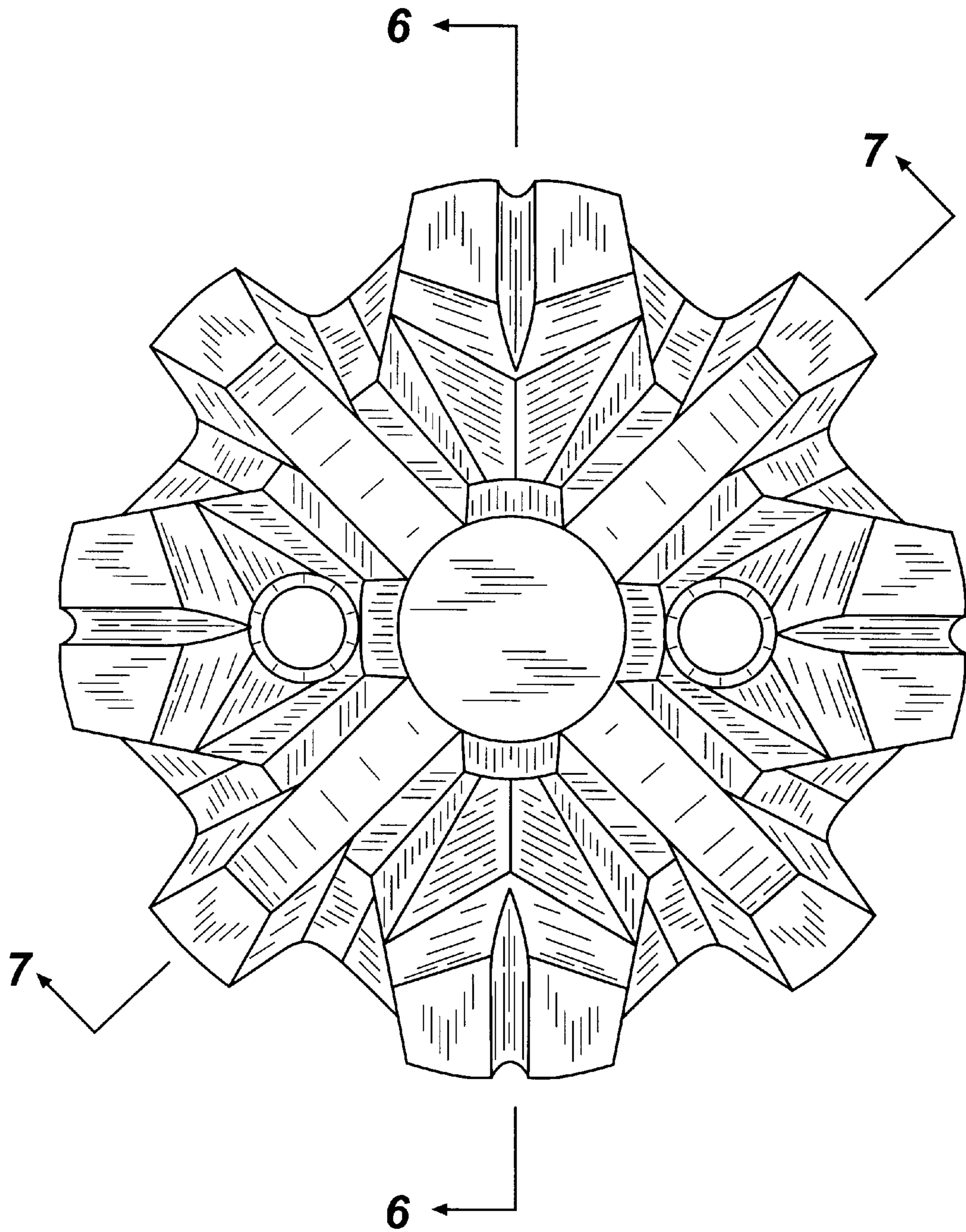


FIG. 2

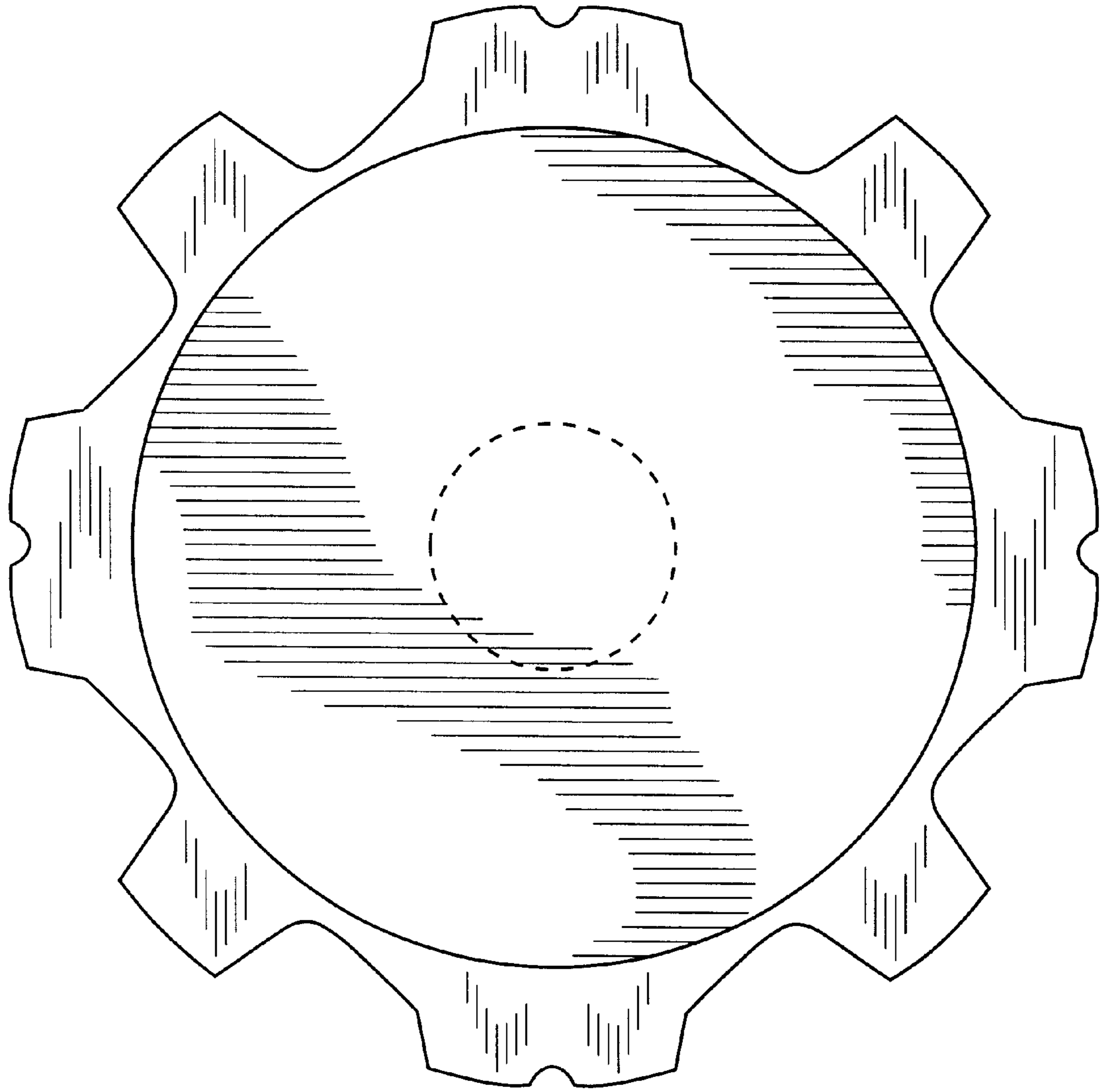


FIG. 3

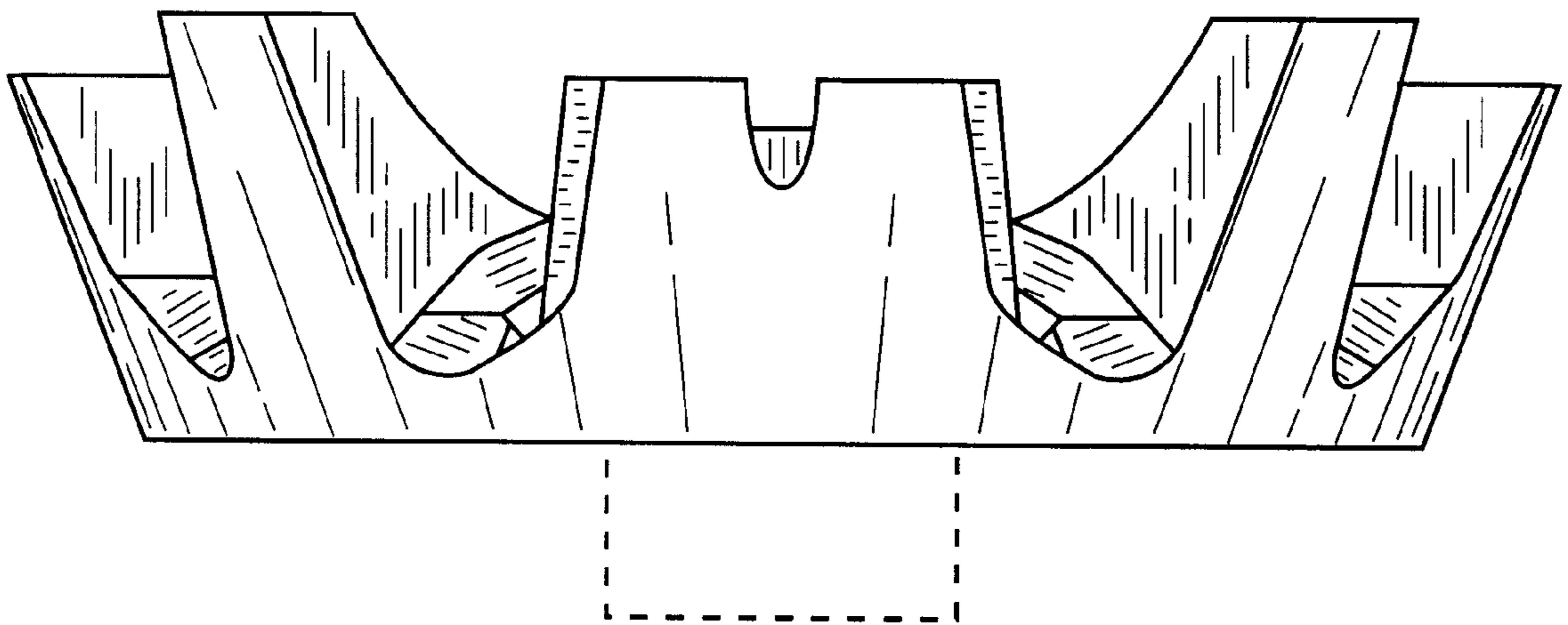


FIG. 4

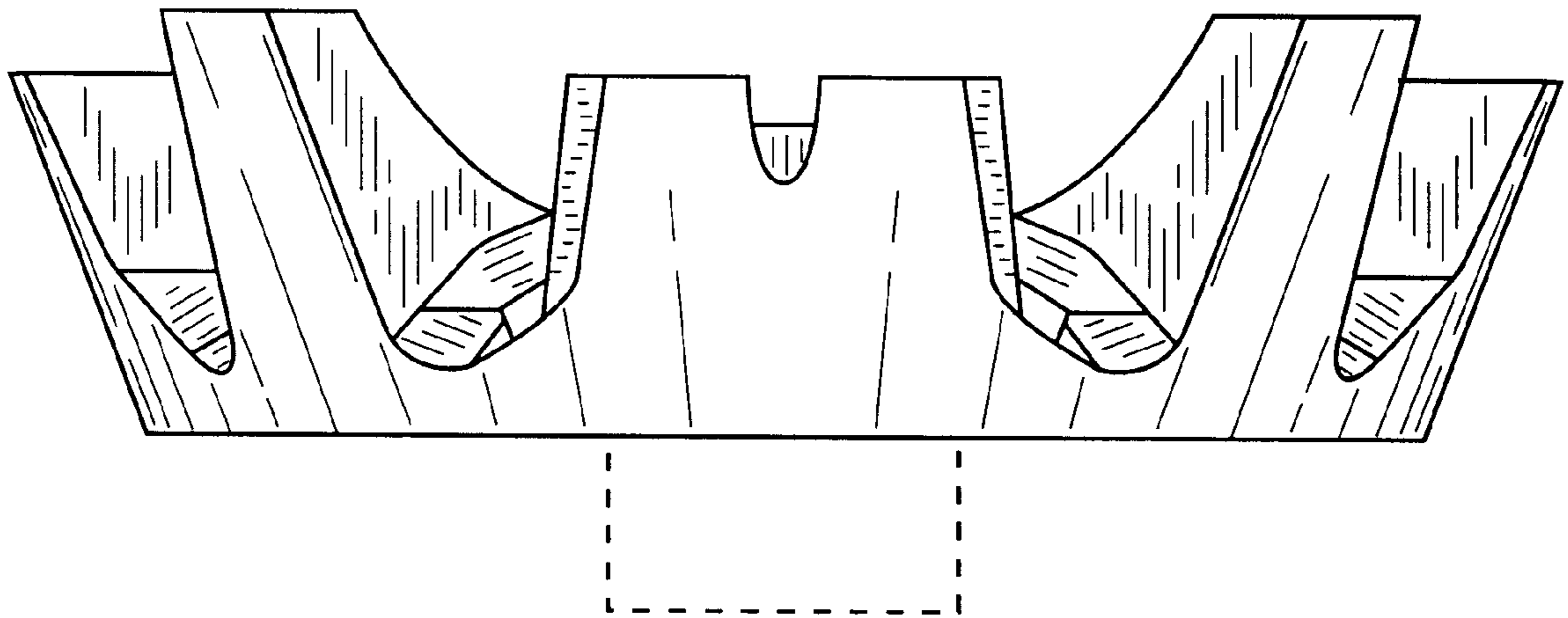


FIG. 5

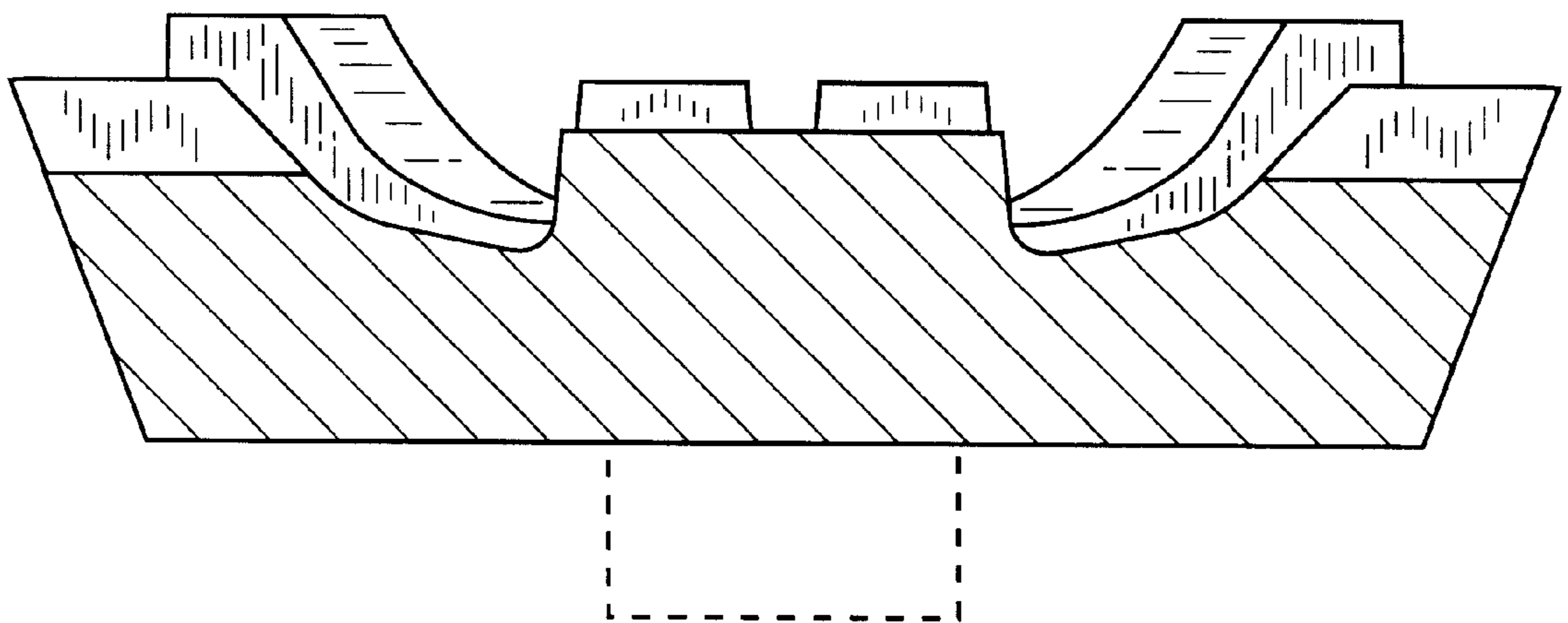


FIG. 6

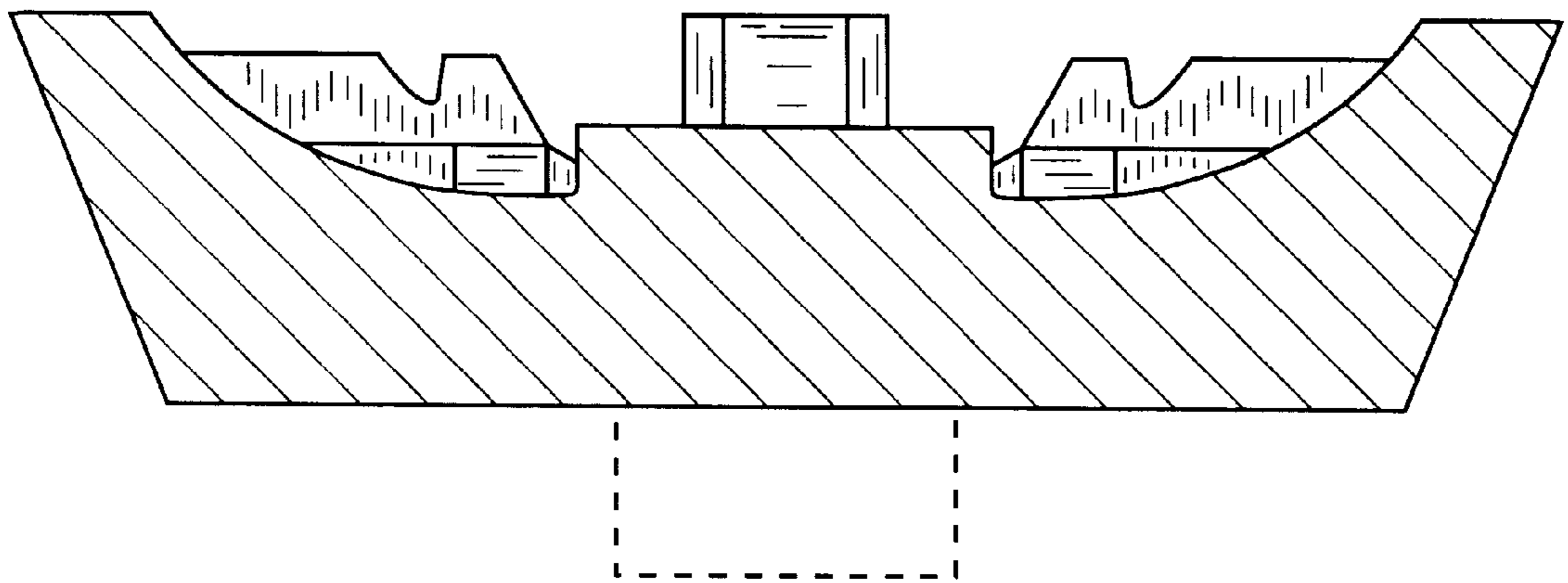


FIG. 7