



US00D452944B1

(12) **United States Design Patent**
Schmidt

(10) **Patent No.:** **US D452,944 S**
(45) **Date of Patent:** **** Jan. 8, 2002**

(54) **HOLDER UNIT FOR A BLADE DISPOSAL APPARATUS**

(75) **Inventor:** **G. Gerry Schmidt**, Newport Beach, CA (US)

(73) **Assignee:** **Pacific Handy Cutter, Inc.**, Costa Mesa, CA (US)

(**) **Term:** **14 Years**

(21) **Appl. No.:** **29/117,648**

(22) **Filed:** **Jan. 28, 2000**

(51) **LOC (7) Cl.** **09-09**

(52) **U.S. Cl.** **D34/6; D6/524**

(58) **Field of Search** D6/515, 518, 526, D6/524; D28/73; D34/1, 6; 206/208, 366; 248/200, 205.1, 309.1, 310, 311.1, 907

(56) **References Cited**

U.S. PATENT DOCUMENTS

1,476,401 A	12/1923	Hechmer	
1,634,777 A	7/1927	Girdler	
1,770,289 A	7/1930	Sherman et al.	
1,910,374 A	5/1933	Williams	
2,065,607 A	12/1936	Morgan	
2,441,777 A	5/1948	Testi	206/16
2,453,238 A	11/1948	Locke, Jr.	206/16
3,255,913 A	6/1966	Helm	220/18
D228,745 S	10/1973	Glaberson et al.	D9/186
D238,252 S	12/1975	Meshulaua	D9/193
4,715,498 A	* 12/1987	Hanifl	206/366

4,759,441 A	7/1988	Leurck	206/373
4,809,850 A	* 3/1989	Laible et al.	206/366
D307,841 S	* 5/1990	Hanifl et al.	D6/515
5,058,764 A	* 10/1991	Gaba	248/907 X
D334,449 S	* 3/1993	Gaba	D34/6
5,887,774 A	3/1999	Bethune	224/414
5,894,925 A	4/1999	Sukiennik et al.	206/356

* cited by examiner

Primary Examiner—Brian N. Vinson

(74) *Attorney, Agent, or Firm*—Henricks, Slavin & Holmes LLP

(57) **CLAIM**

The ornamental design for holder unit for a blade disposal apparatus, as shown and described.

DESCRIPTION

FIG. 1 is a top, front, and right side perspective view of a holder unit for a blade disposal apparatus showing my new design, the broken-line disclosure of a disposal apparatus being for illustrative purposes only and forming no part of the claimed design;

FIG. 2 is a greatly enlarged top, front, and right side perspective view thereof;

FIG. 3 is an enlarged front elevational view thereof;

FIG. 4 is an enlarged right side elevational view thereof, the undisclosed left side being a mirror image of that shown

FIG. 5 is an enlarged rear elevational view thereof;

FIG. 6 is an enlarged top plan view thereof; and,

FIG. 7 is an enlarged bottom plan view thereof.

1 Claim, 5 Drawing Sheets

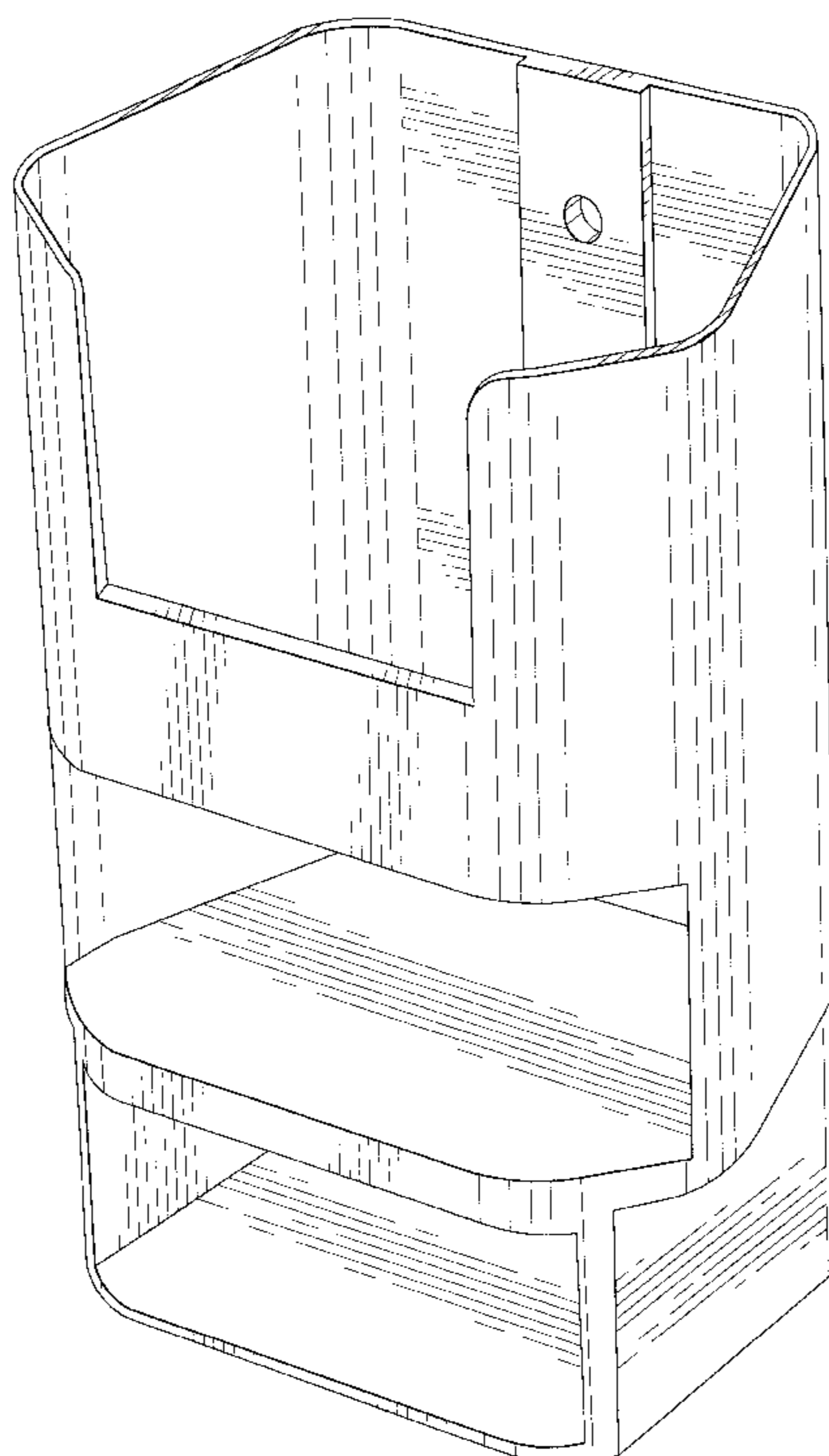
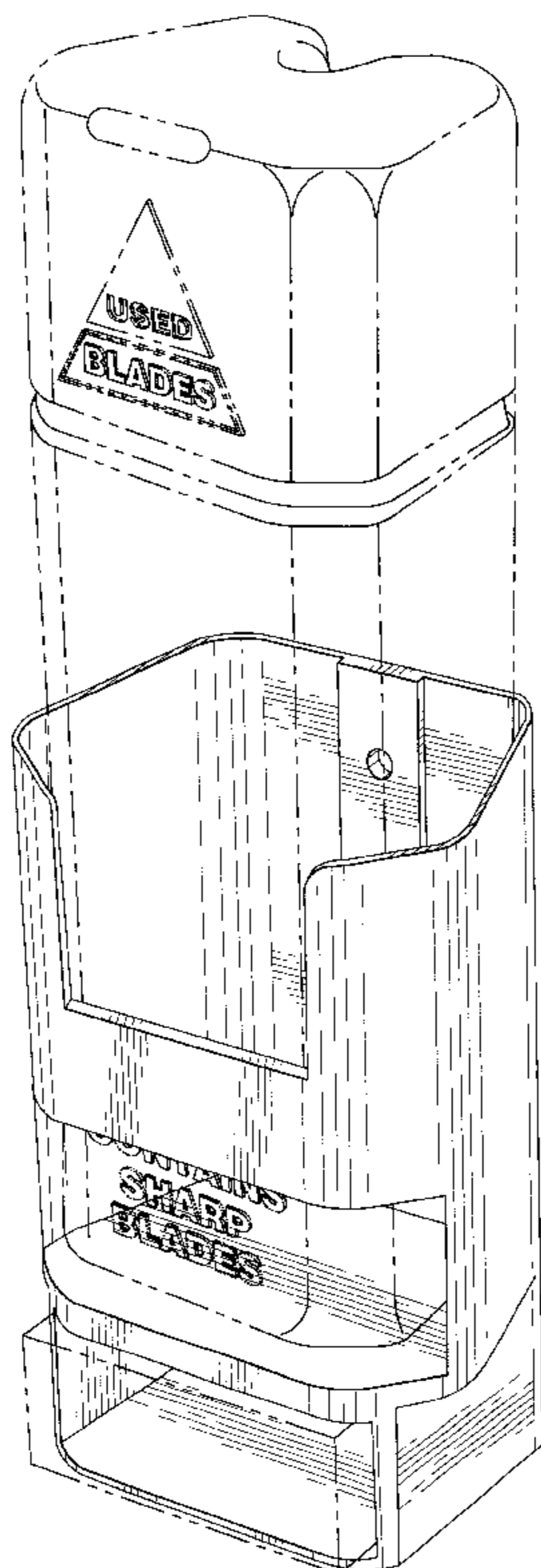


FIG. 1

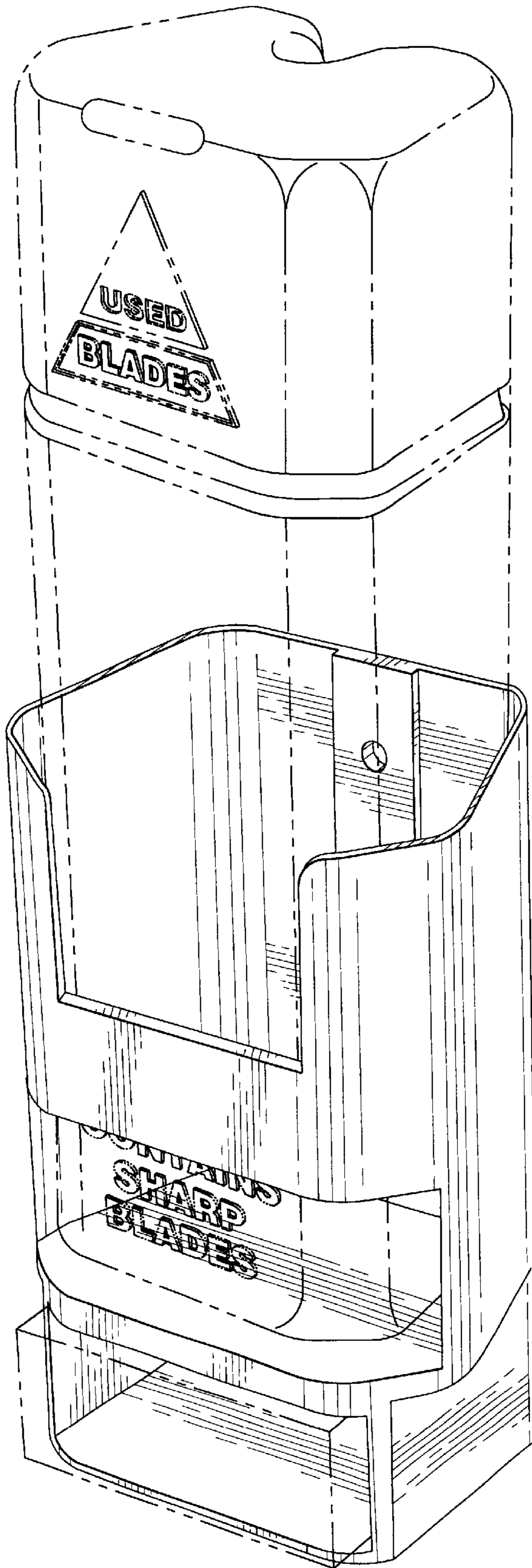


FIG. 2

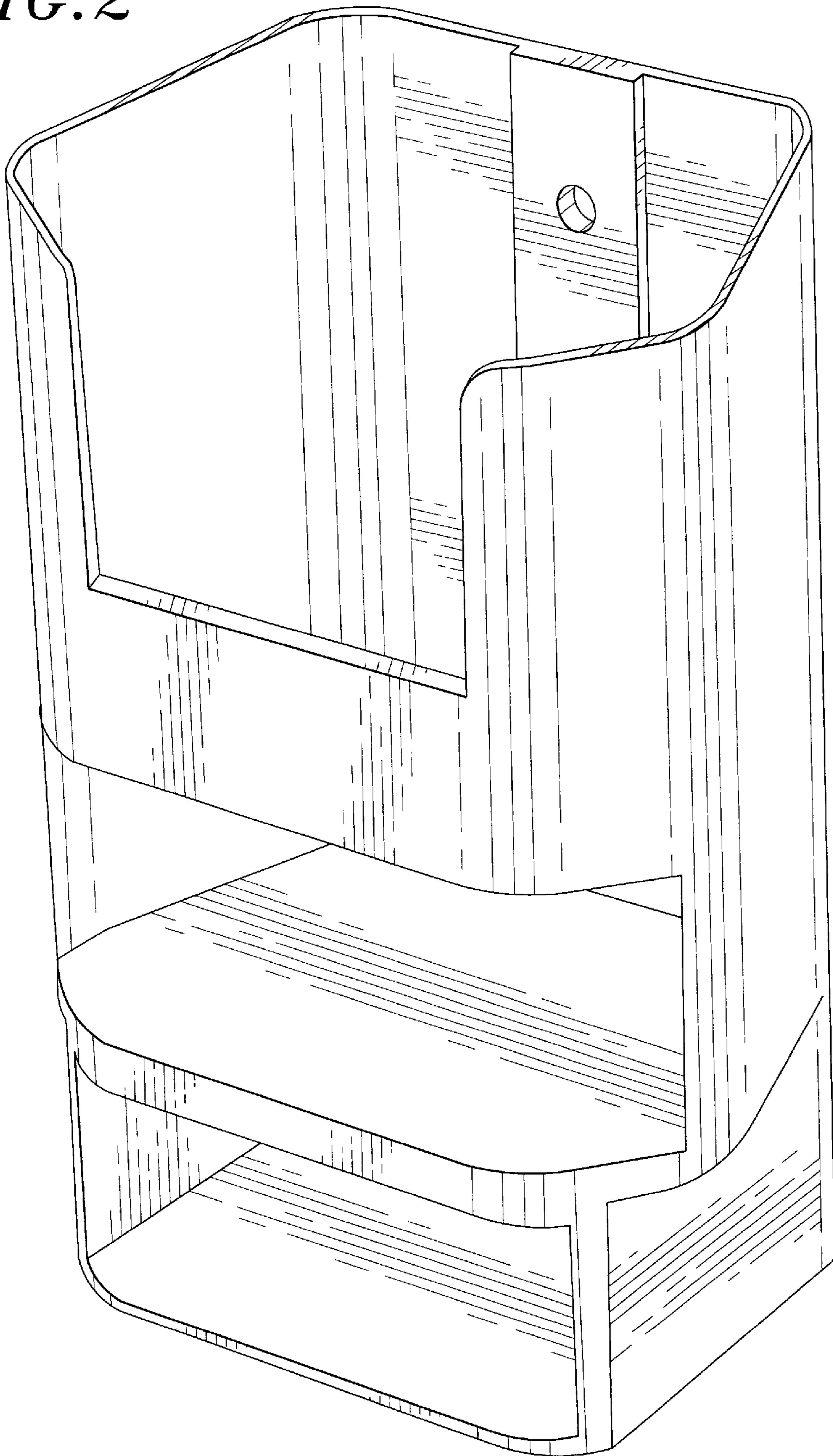


FIG. 3

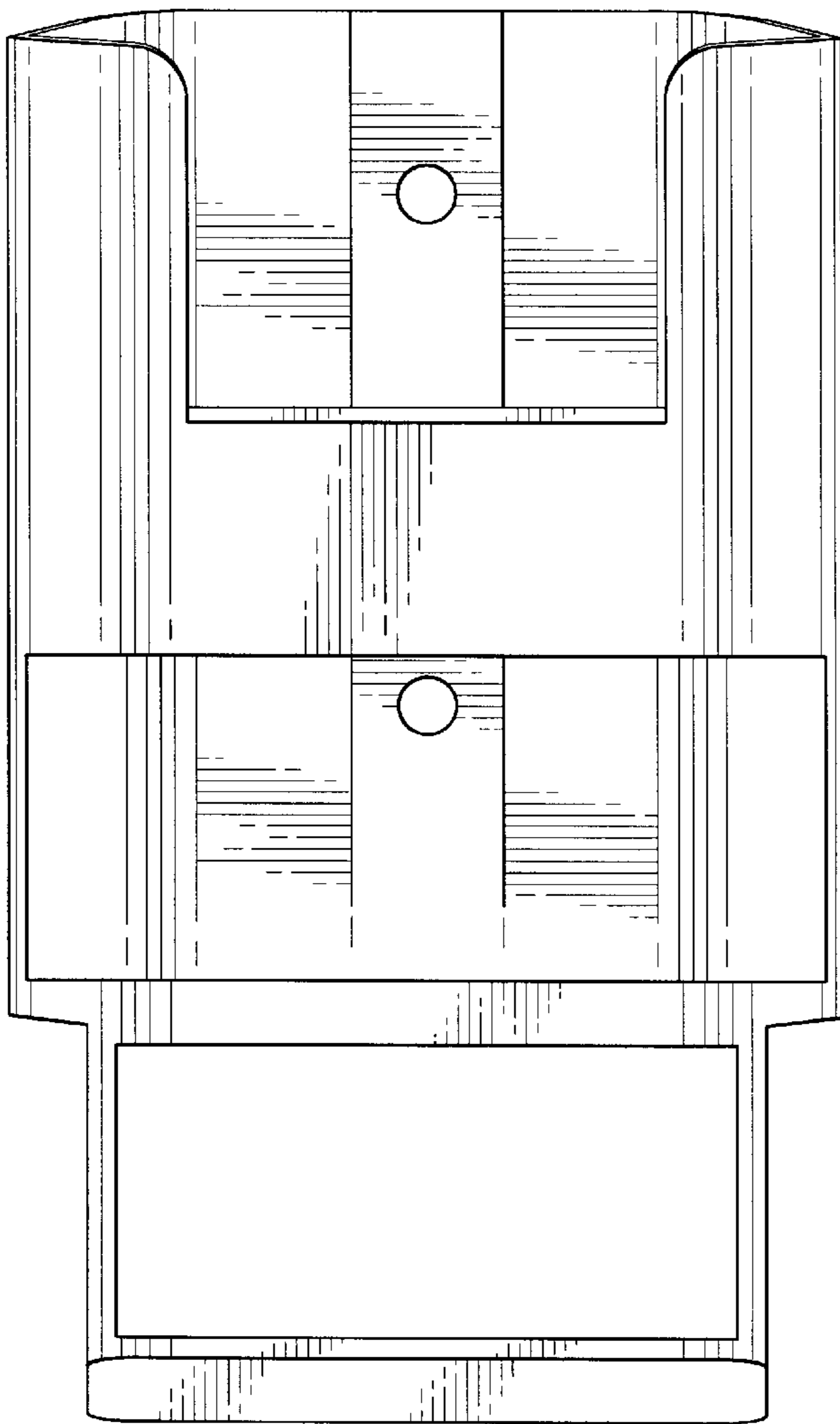


FIG. 4

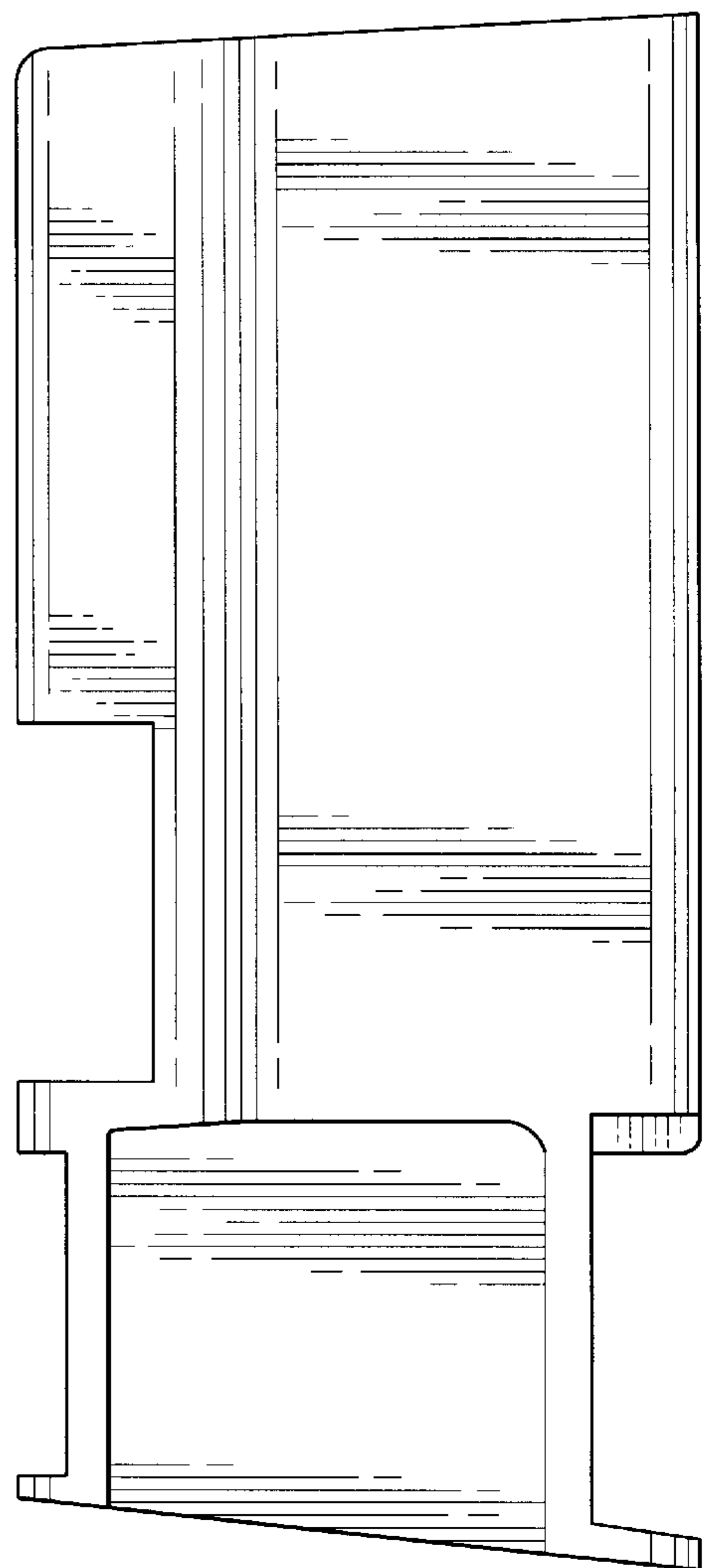


FIG. 5

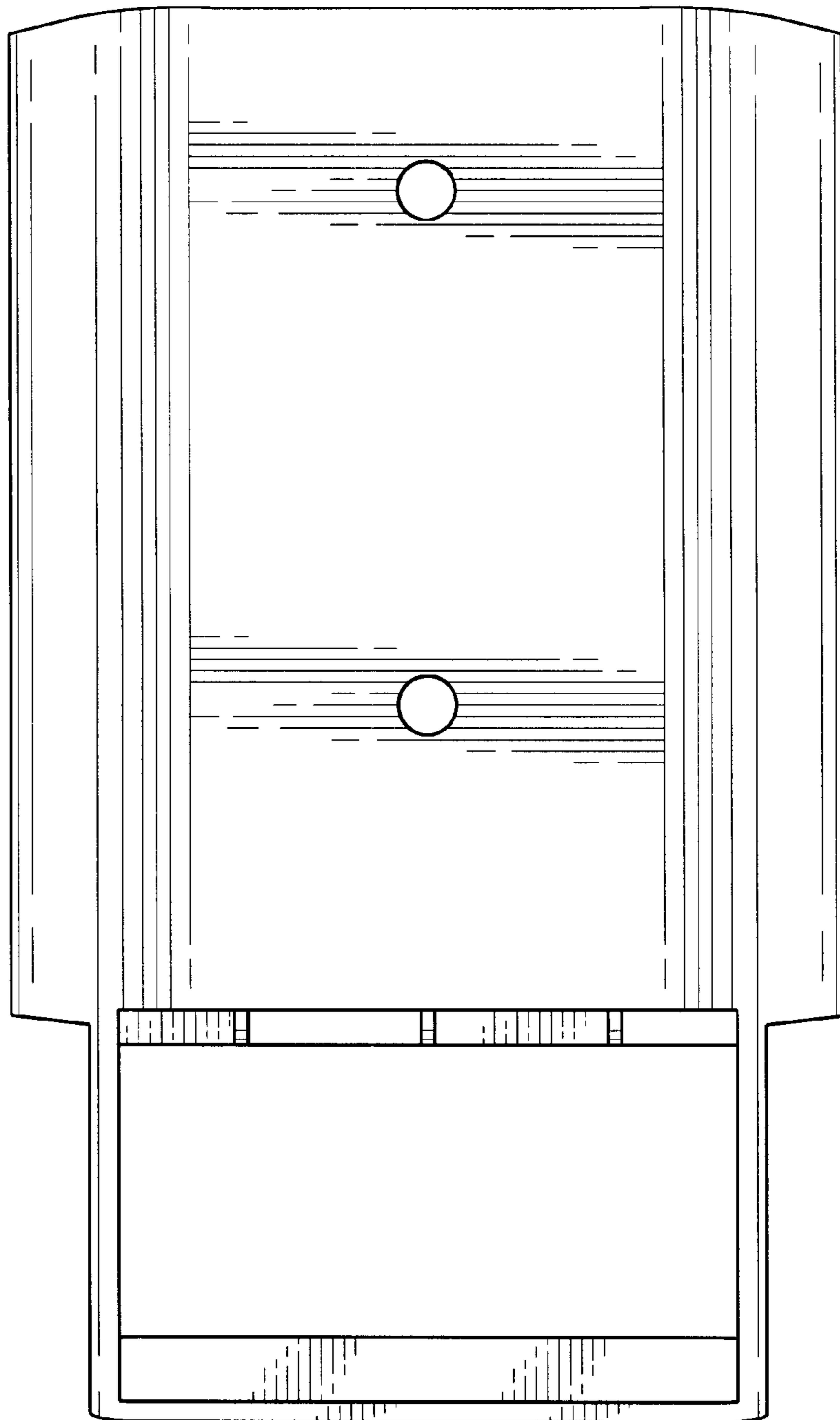


FIG. 6

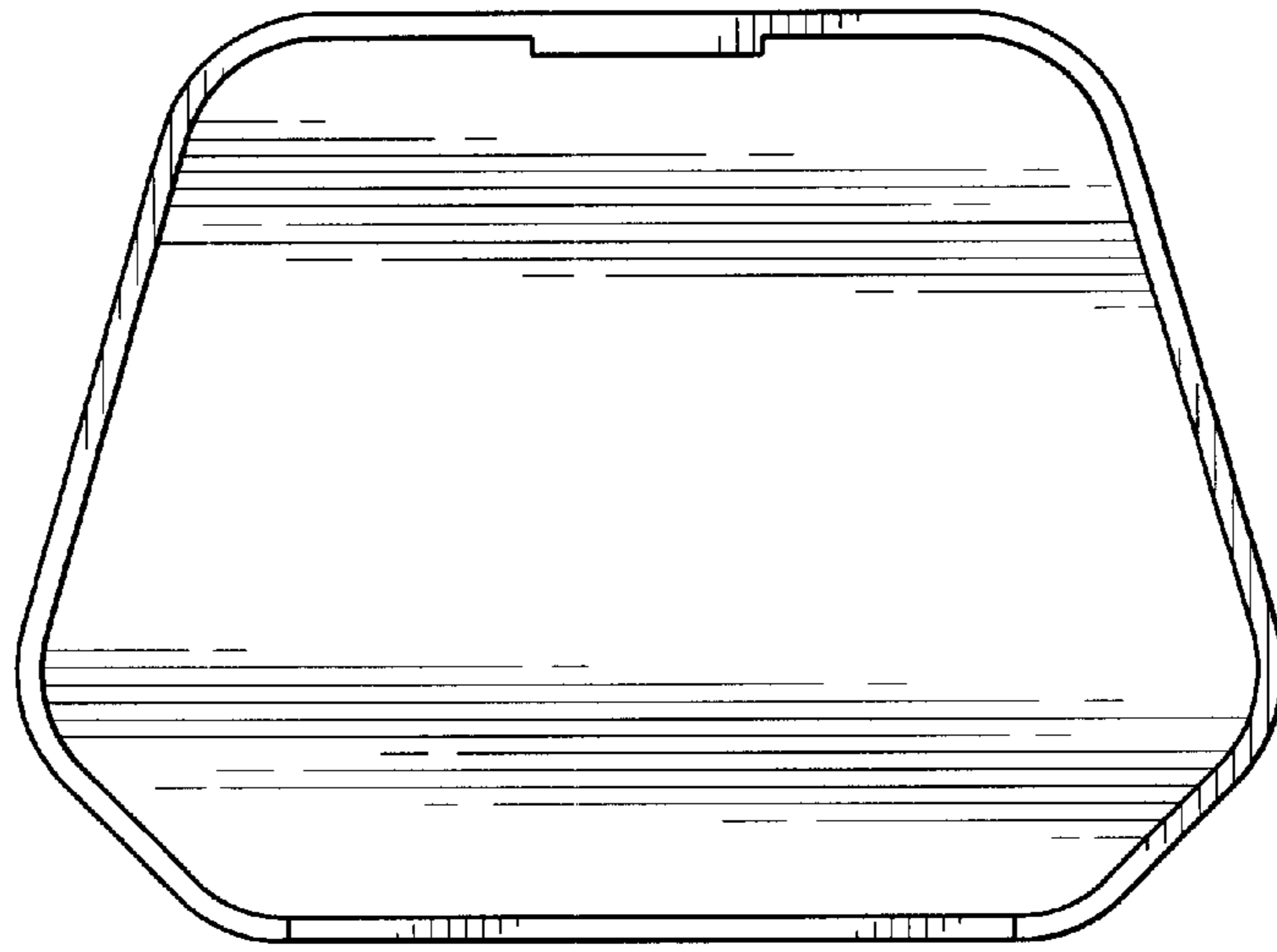


FIG. 7

