



US00D452943B1

(12) **United States Design Patent**
Gallegos

(10) **Patent No.:** **US D452,943 S**

(45) **Date of Patent:** **** Jan. 8, 2002**

(54) **BIRD FEEDER**

D418,293 S * 1/2000 Palmer D3/248

* cited by examiner

(76) Inventor: **Orlando R. Gallegos**, 2021 W. 5850
South, Roy, UT (US) 84067

Primary Examiner—Pamela Burgess
(74) *Attorney, Agent, or Firm*—TraskBritt, PC

(**) Term: **14 Years**

(57) **CLAIM**

(21) Appl. No.: **29/121,001**

The ornamental design for a bird feeder, as shown and described.

(22) Filed: **Mar. 28, 2000**

DESCRIPTION

(51) **LOC (7) Cl.** **30-03**

FIG. 1 is a perspective view of a bird feeder showing my new design;

(52) **U.S. Cl.** **D30/125; D29/106**

FIG. 2 is a perspective view thereof, with the shelf in an opened position;

(58) **Field of Search** D30/121, 122,
D30/124, 125, 133; D9/320, 307; D29/102,
105, 106; 206/457; D2/870

FIG. 3 is a front elevational view thereof;

FIG. 4 is a rear elevational view thereof;

FIG. 5 is a side elevational view thereof, the undisclosed side being a mirror image;

FIG. 6 is a top plan view thereof; and,

FIG. 7 is a bottom plan view thereof.

(56) **References Cited**

U.S. PATENT DOCUMENTS

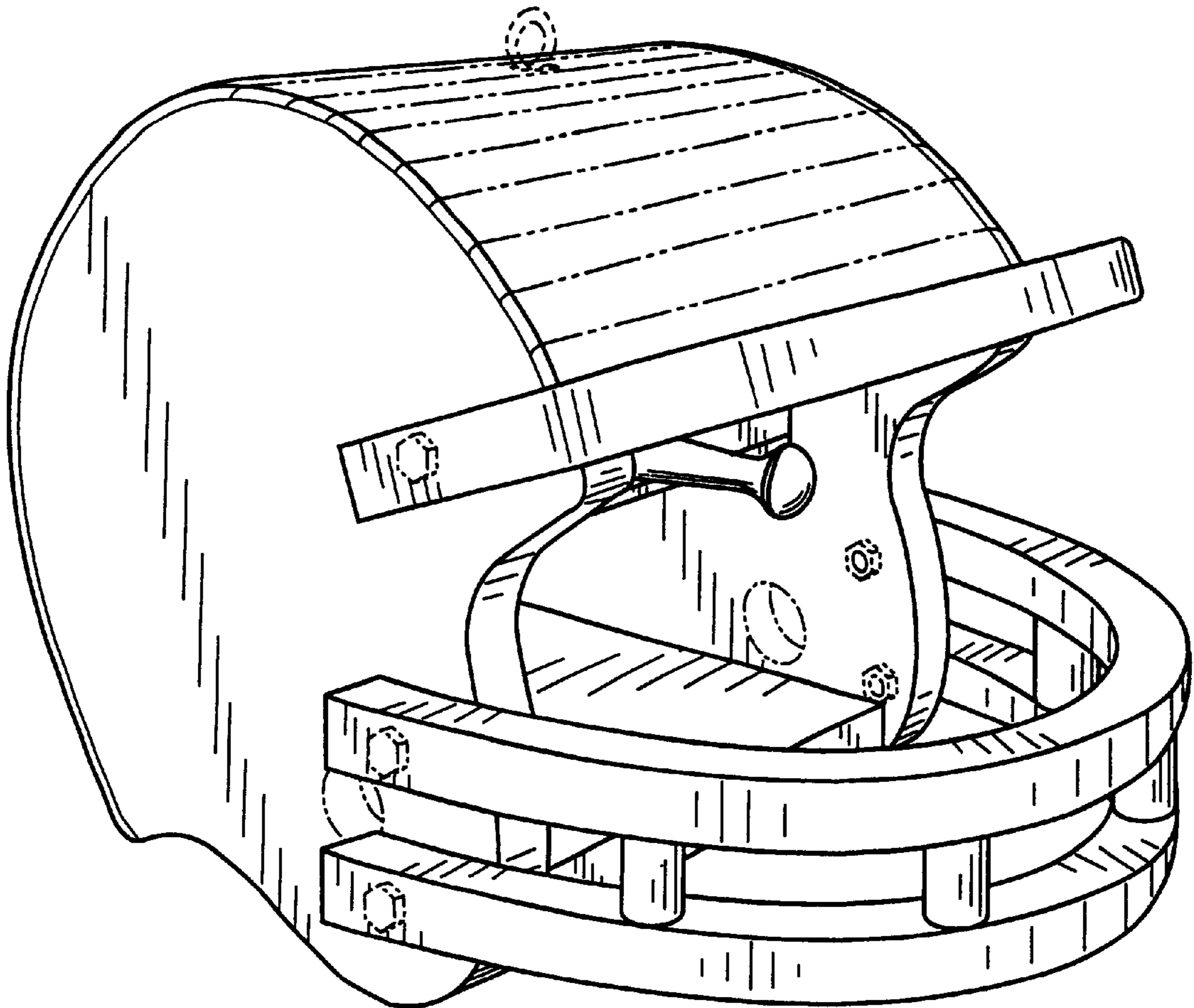
The phantom lines shown in all figures are for illustrative purposes only and form no part of the claimed design.

D344,659 S * 3/1994 Hsu D7/613

D406,922 S 3/1999 Darbutas D30/111

D417,527 S 12/1999 Knuth et al. D30/111

1 Claim, 4 Drawing Sheets



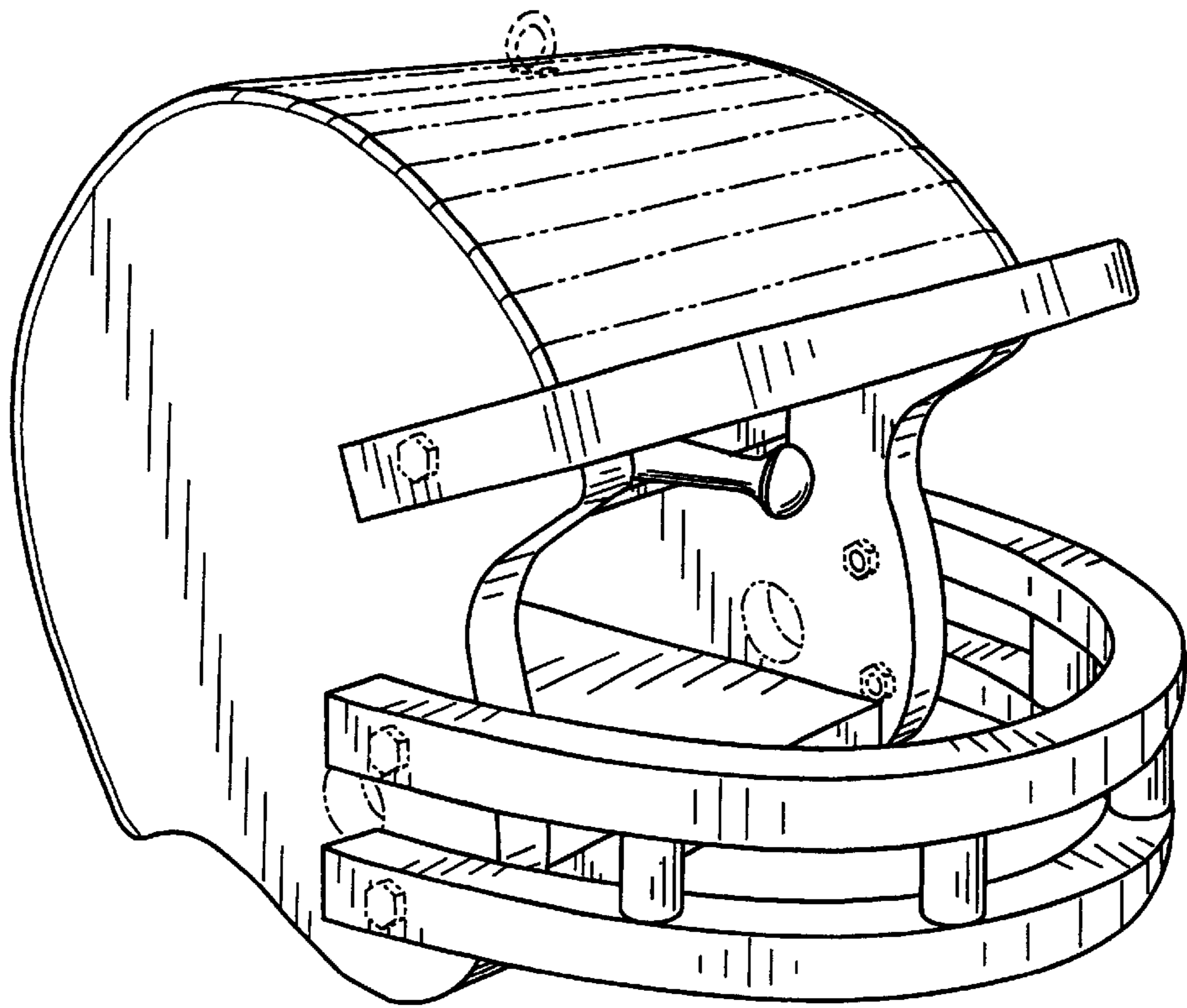


Fig. 1

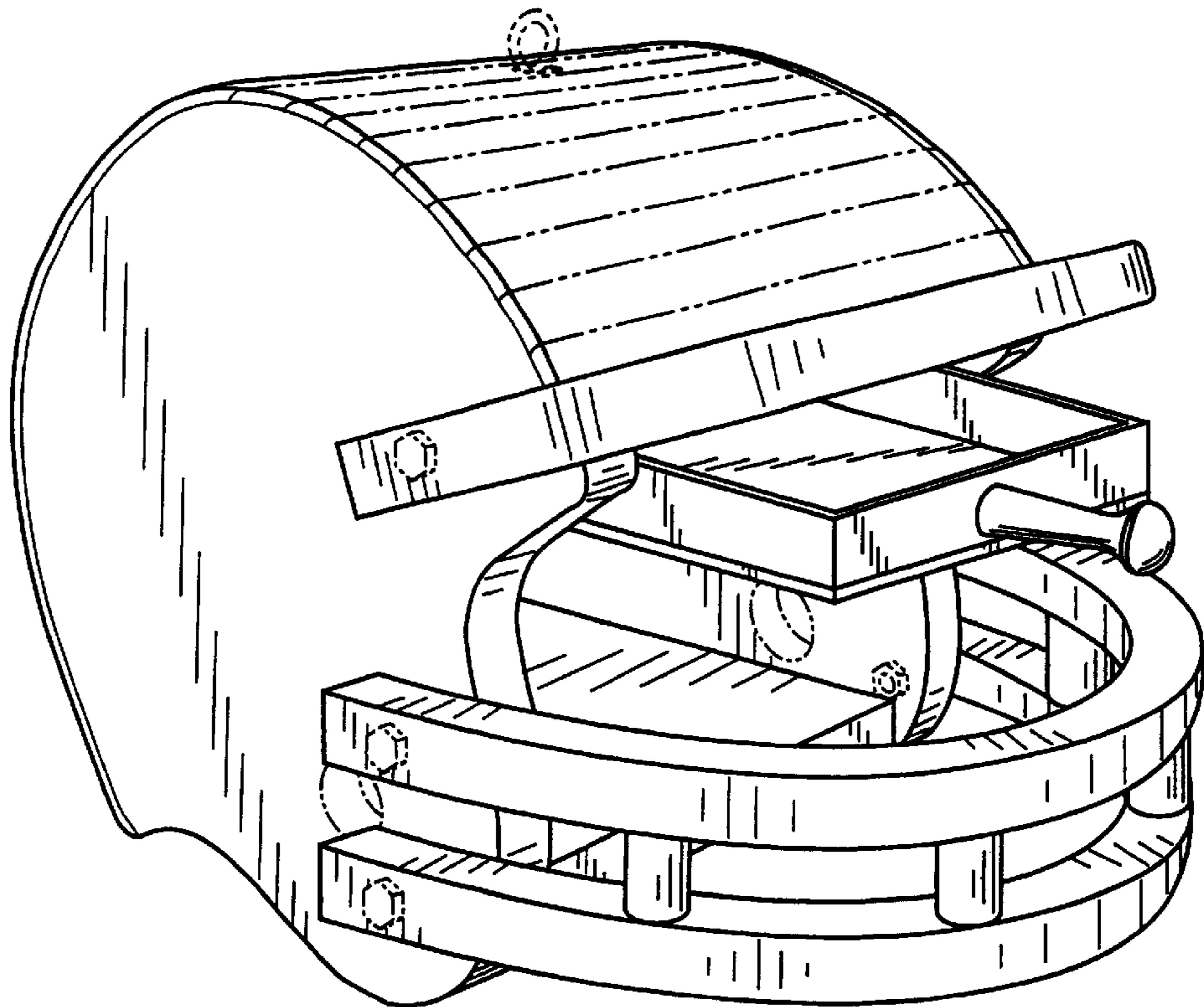


Fig. 2

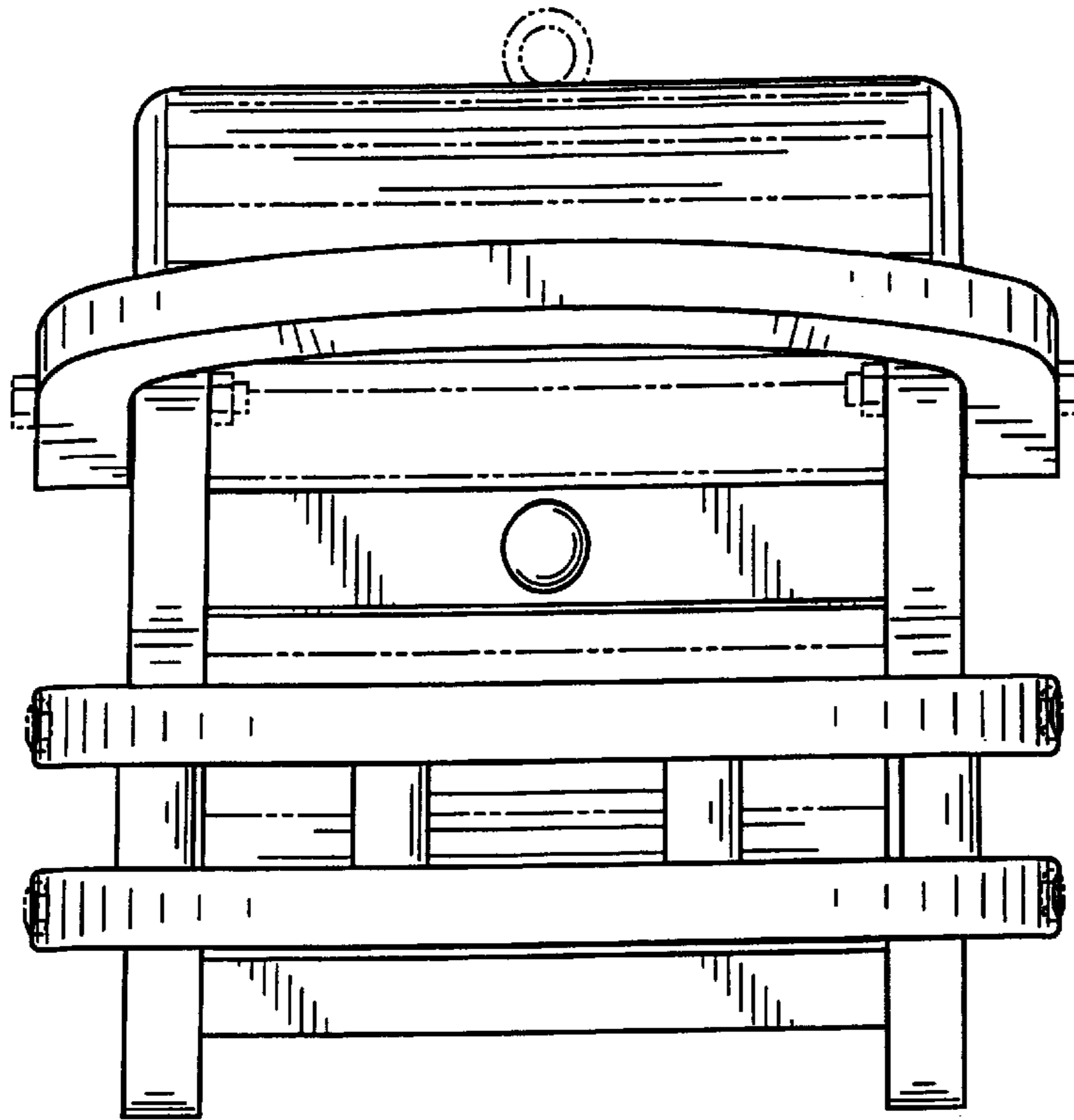


Fig. 3

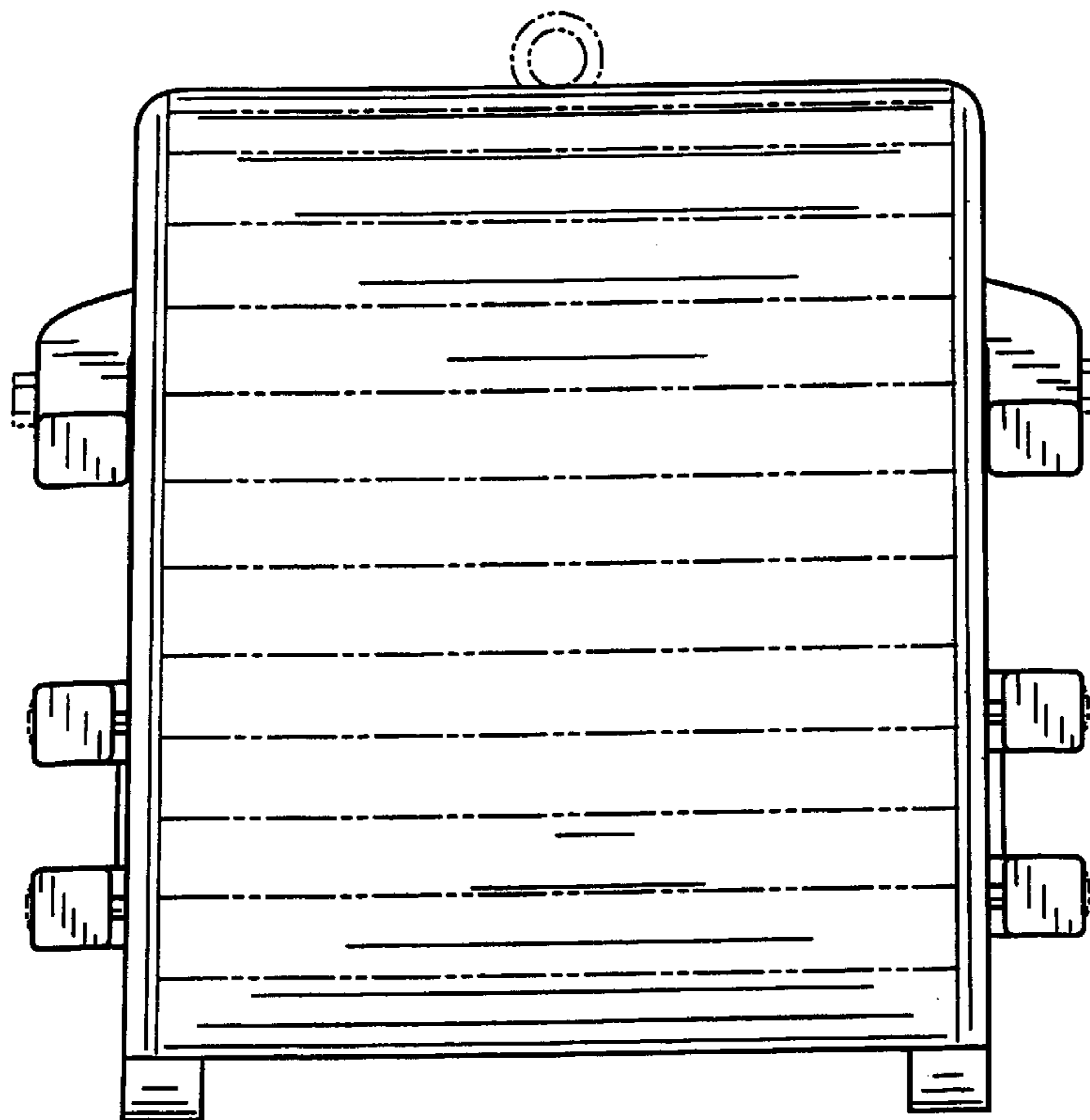


Fig. 4

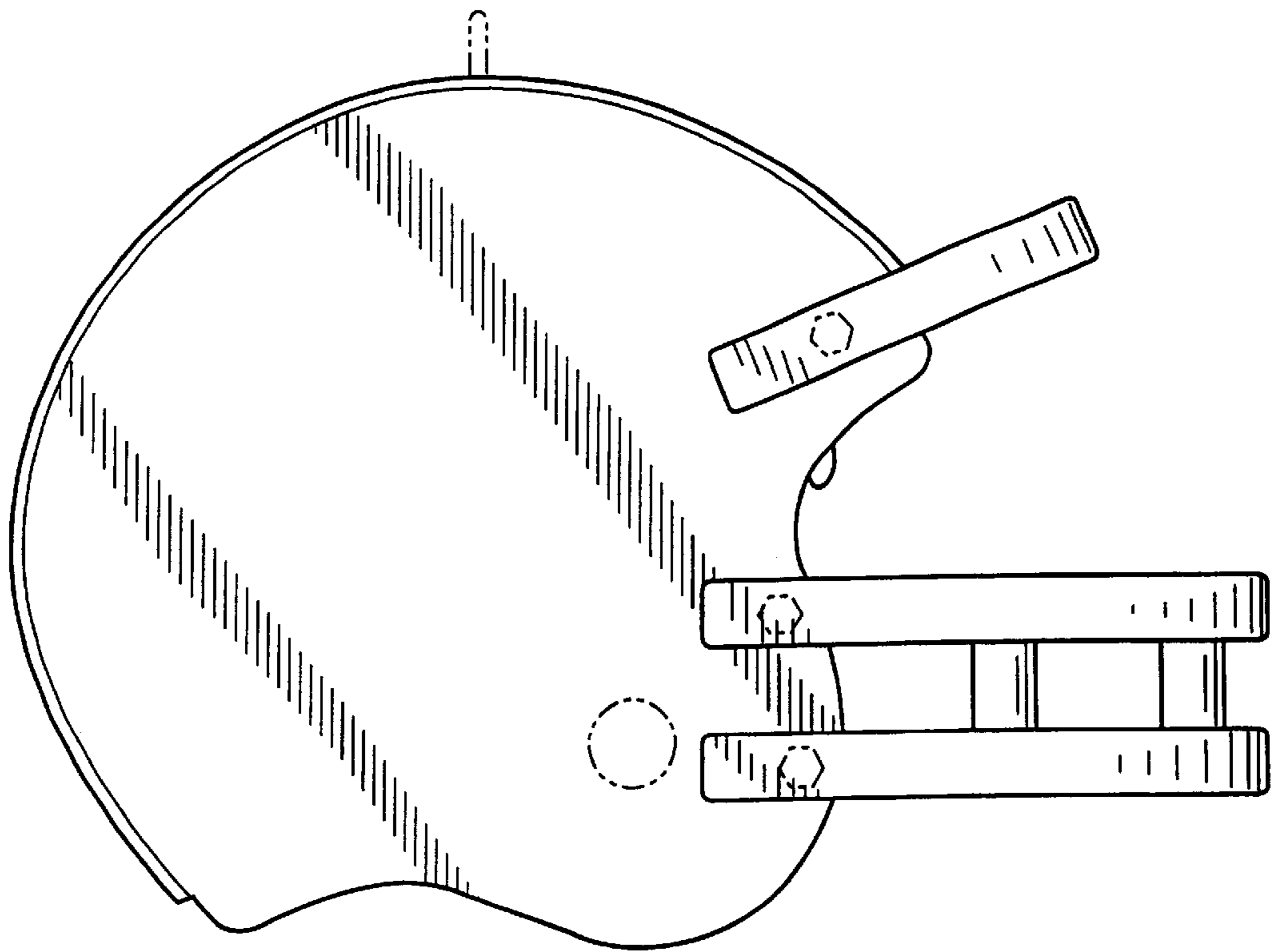


Fig. 5

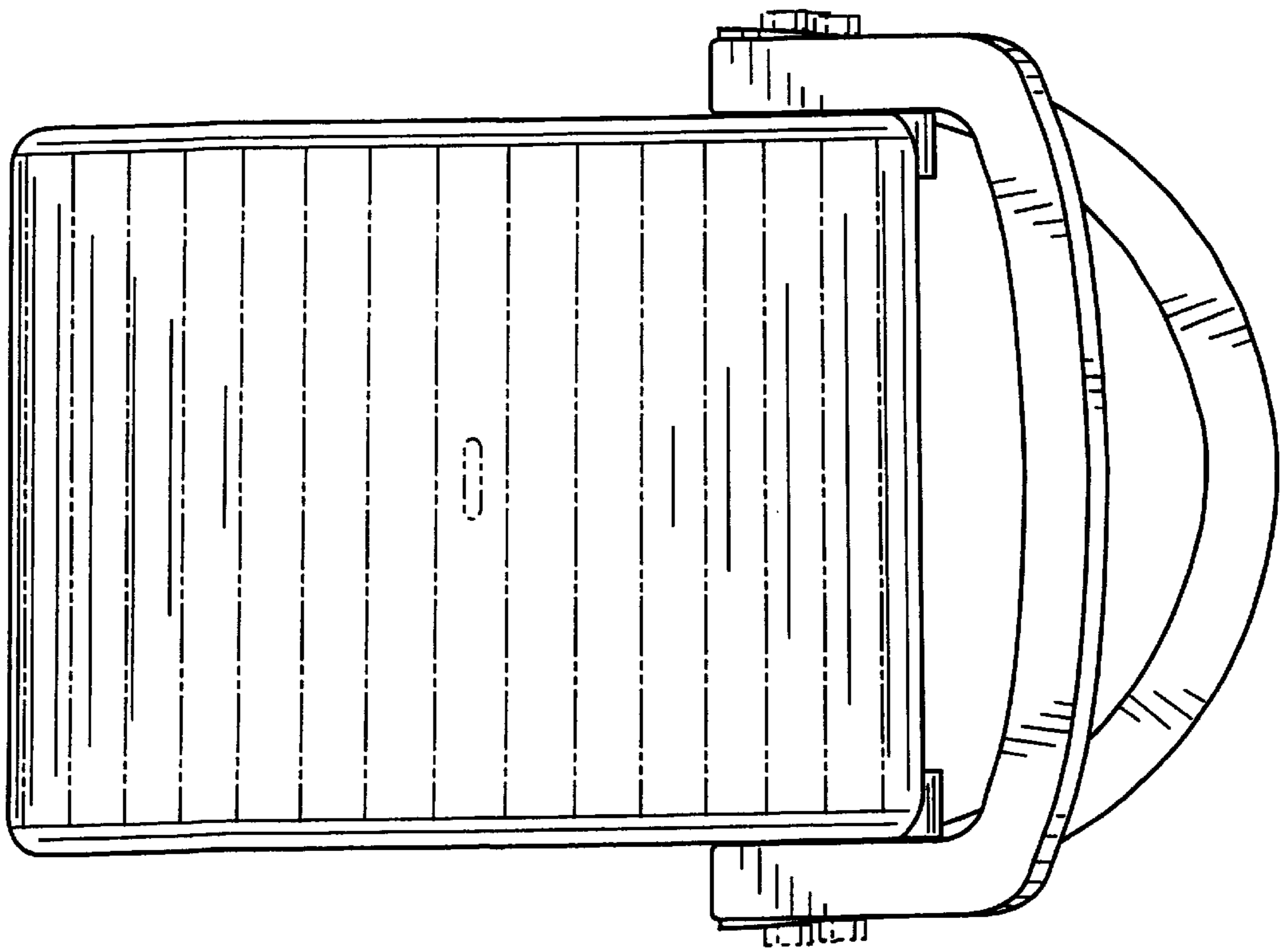


Fig. 6

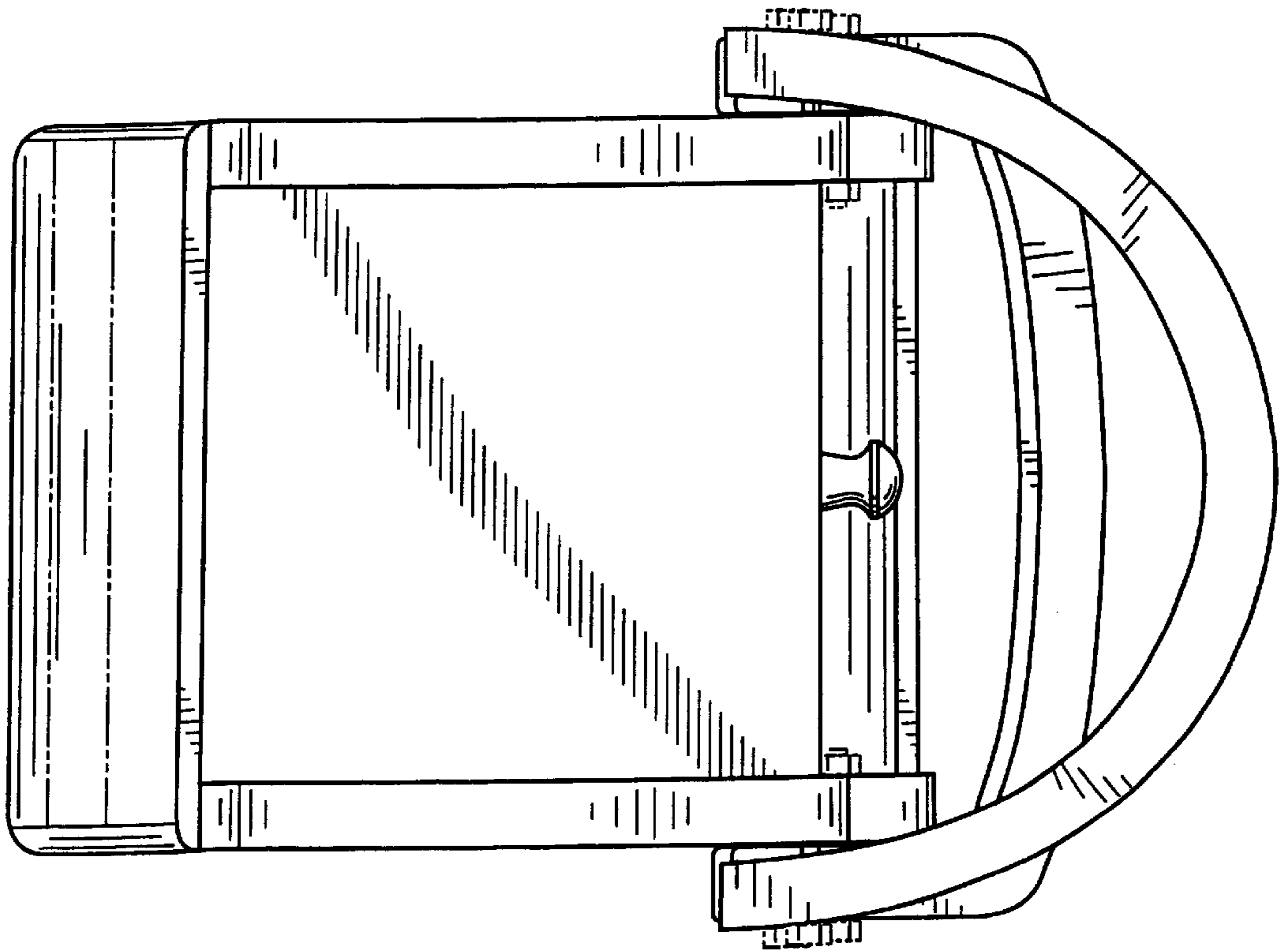


Fig. 7