



US00D452927B1

(12) **United States Design Patent**  
**Strickland**

(10) **Patent No.:** **US D452,927 S**

(45) **Date of Patent:** **\*\* Jan. 8, 2002**

(54) **ORNAMENTAL TABLE LAMP**

D354,370 S \* 1/1995 Stromberg ..... D26/63 X

(76) Inventor: **Jerry Strickland**, 3506 Airport Rd.,  
Jonesboro, AR (US) 72401

\* cited by examiner

(\*\*) Term: **14 Years**

*Primary Examiner*—Susan J. Lucas

(74) *Attorney, Agent, or Firm*—Dennis B. Haase, Esq.

(21) Appl. No.: **29/124,559**

(57) **CLAIM**

(22) Filed: **Jun. 8, 2000**

The ornamental design for an ornamental table lamp, as shown.

(51) **LOC (7) Cl.** ..... **26-05**

**DESCRIPTION**

(52) **U.S. Cl.** ..... **D26/63**

(58) **Field of Search** ..... D26/60-66, 127;  
362/269, 270, 275, 278, 281, 283, 284,  
285, 287, 289, 400, 401, 402, 427, 428

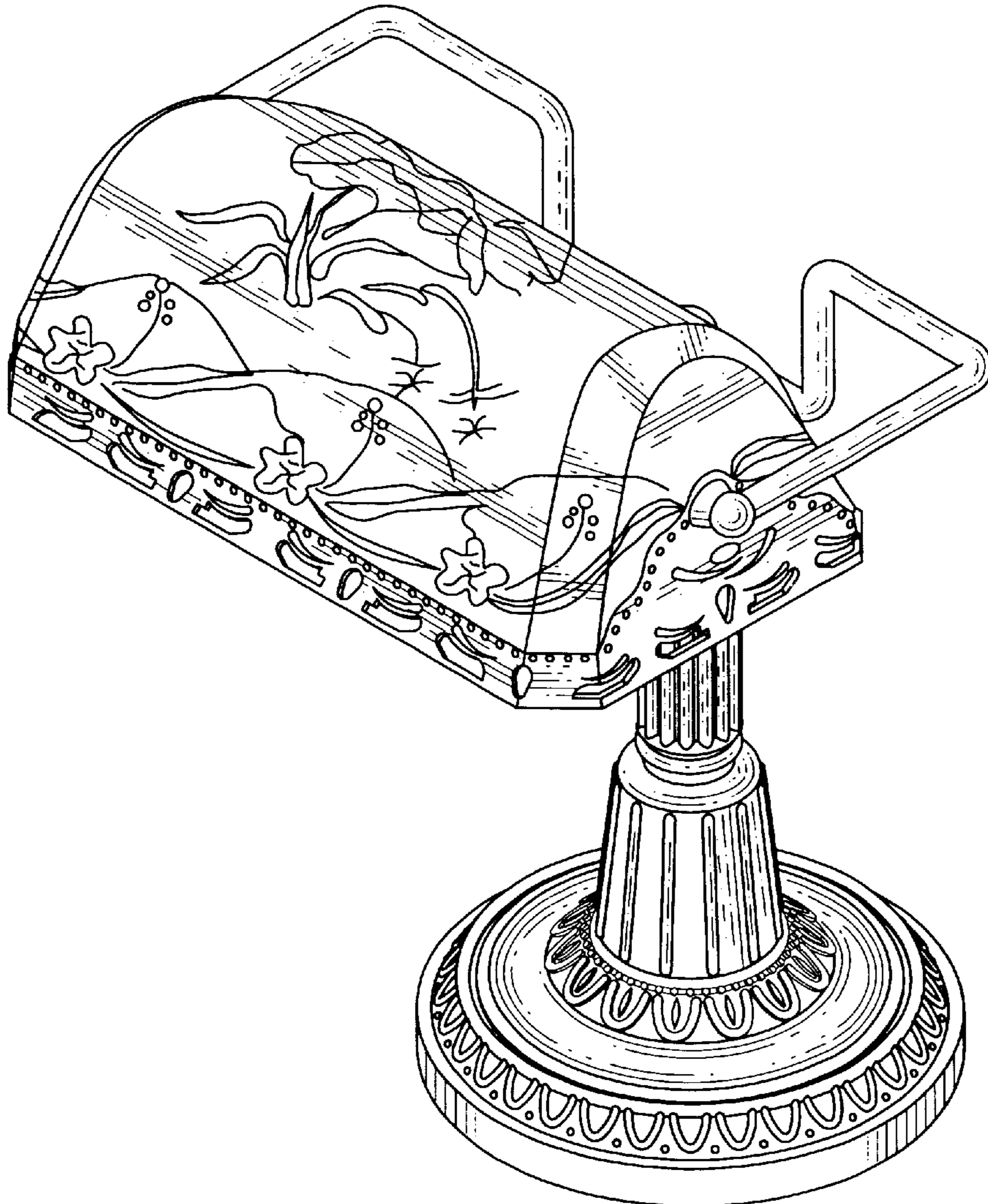
FIG. 1 is a perspective view of the lamp of the present invention as seen from the right front corner thereof; FIG. 2 is a front elevational of the lamp of FIG. 1; FIG. 3 is a right end view of the lamp of FIG. 1; FIG. 4 is a rear elevational of the lamp of FIG. 1; FIG. 5 is a bottom plan view of the lamp of FIG. 1; and, FIG. 6 is a top plan view of the lamp of FIG. 1.

(56) **References Cited**

**U.S. PATENT DOCUMENTS**

1,697,710 A \* 1/1929 Bostrom ..... 362/414  
D316,610 S \* 4/1991 Winn ..... D26/65

**1 Claim, 3 Drawing Sheets**



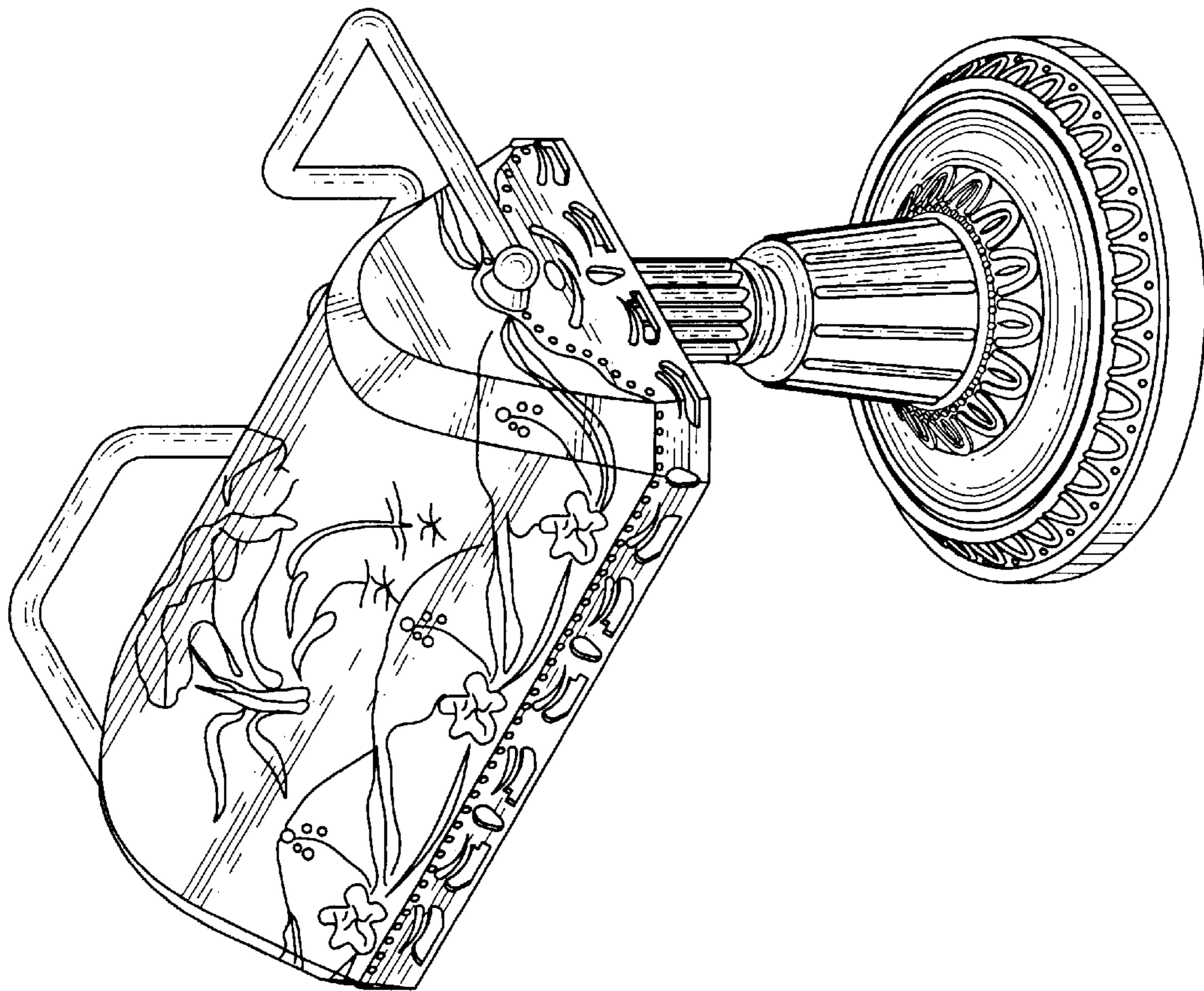


Fig. 1

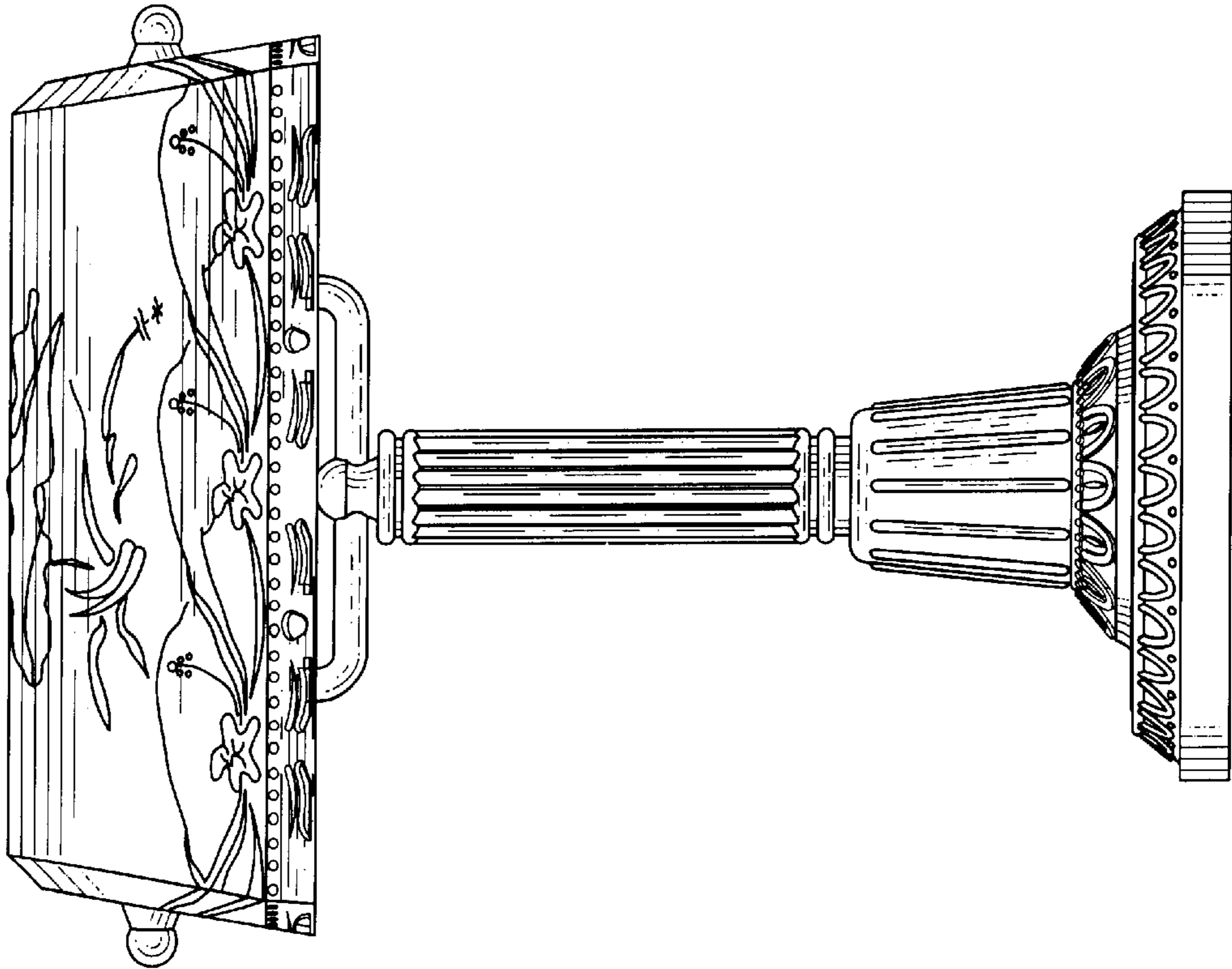


Fig. 2

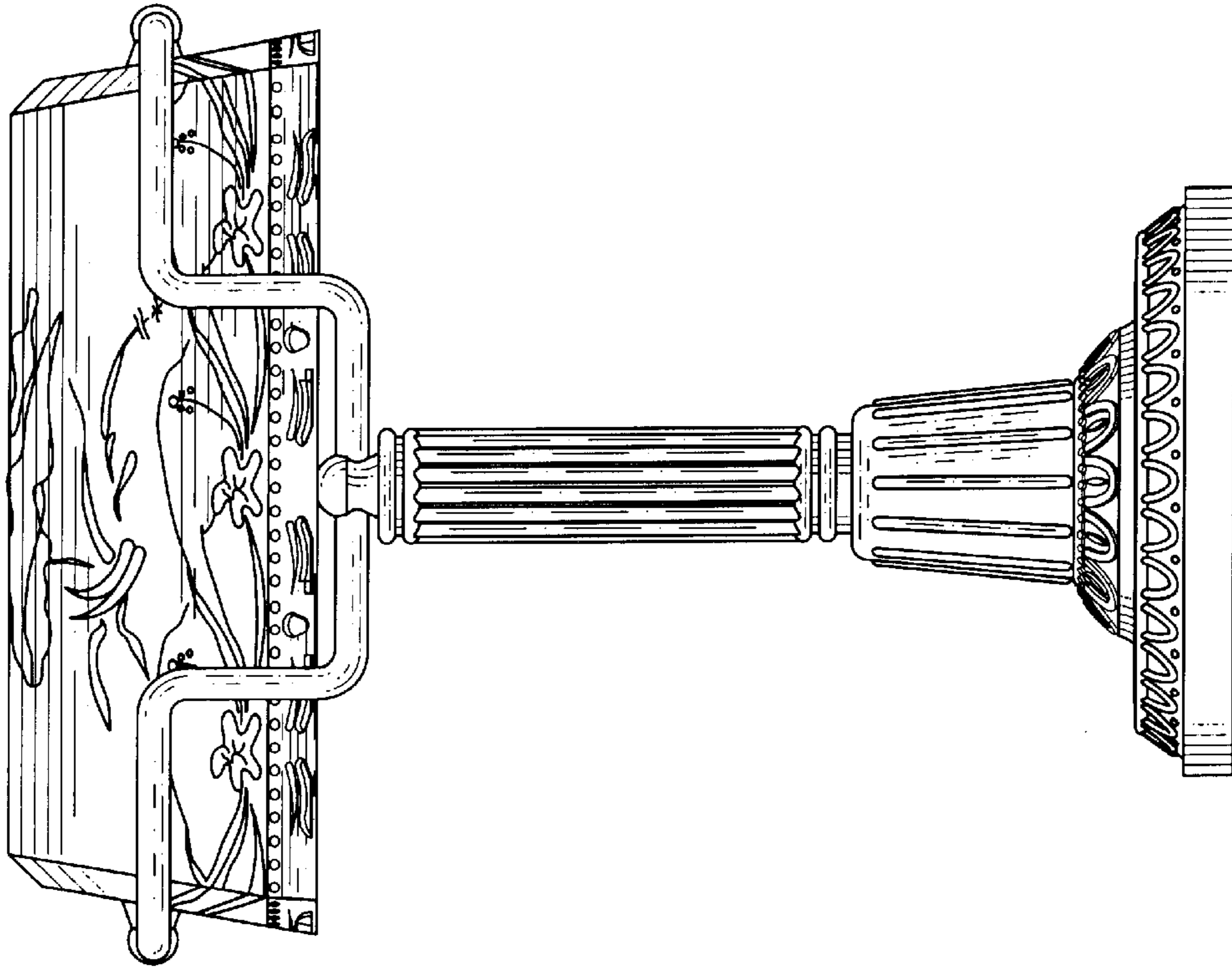


Fig. 3

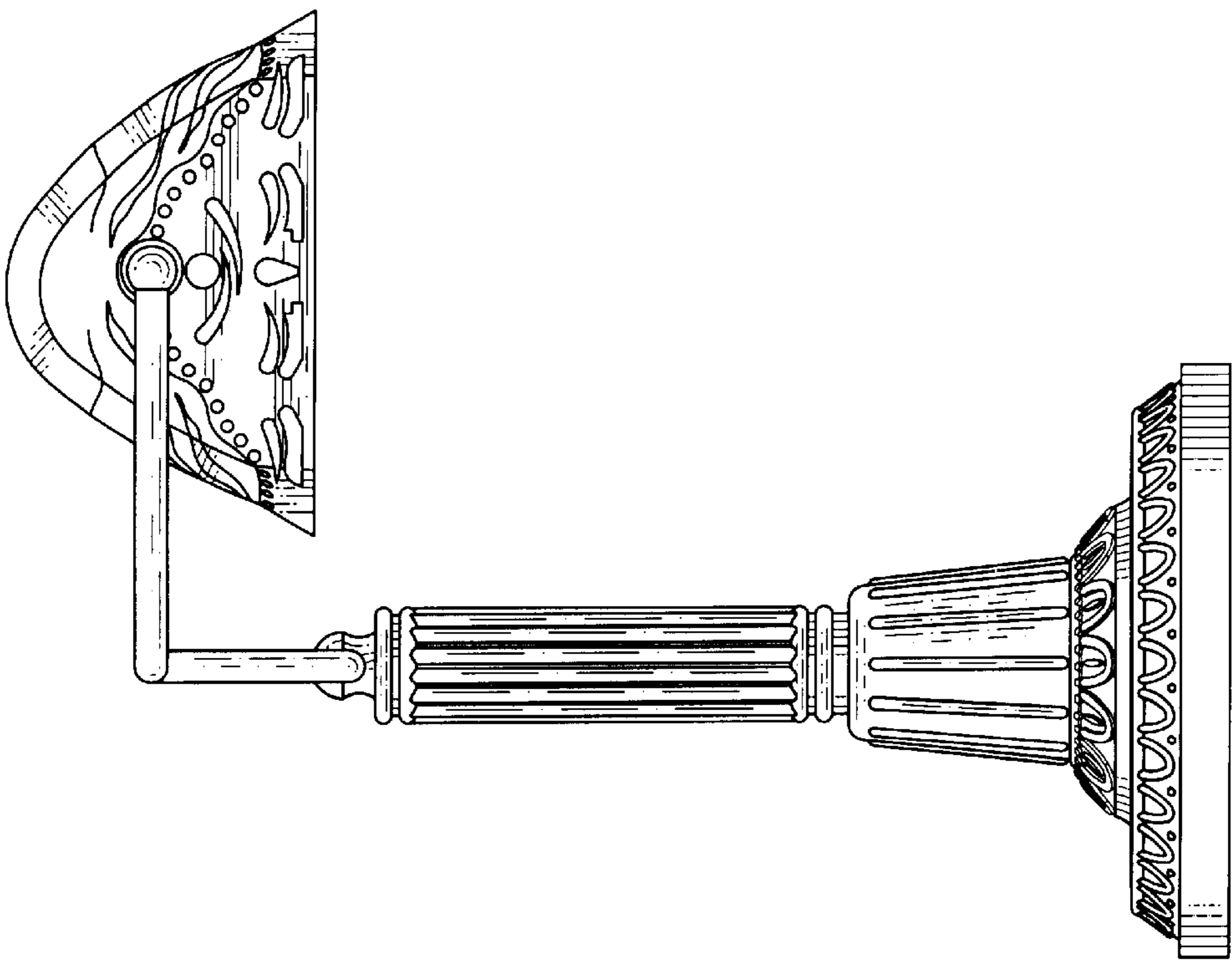
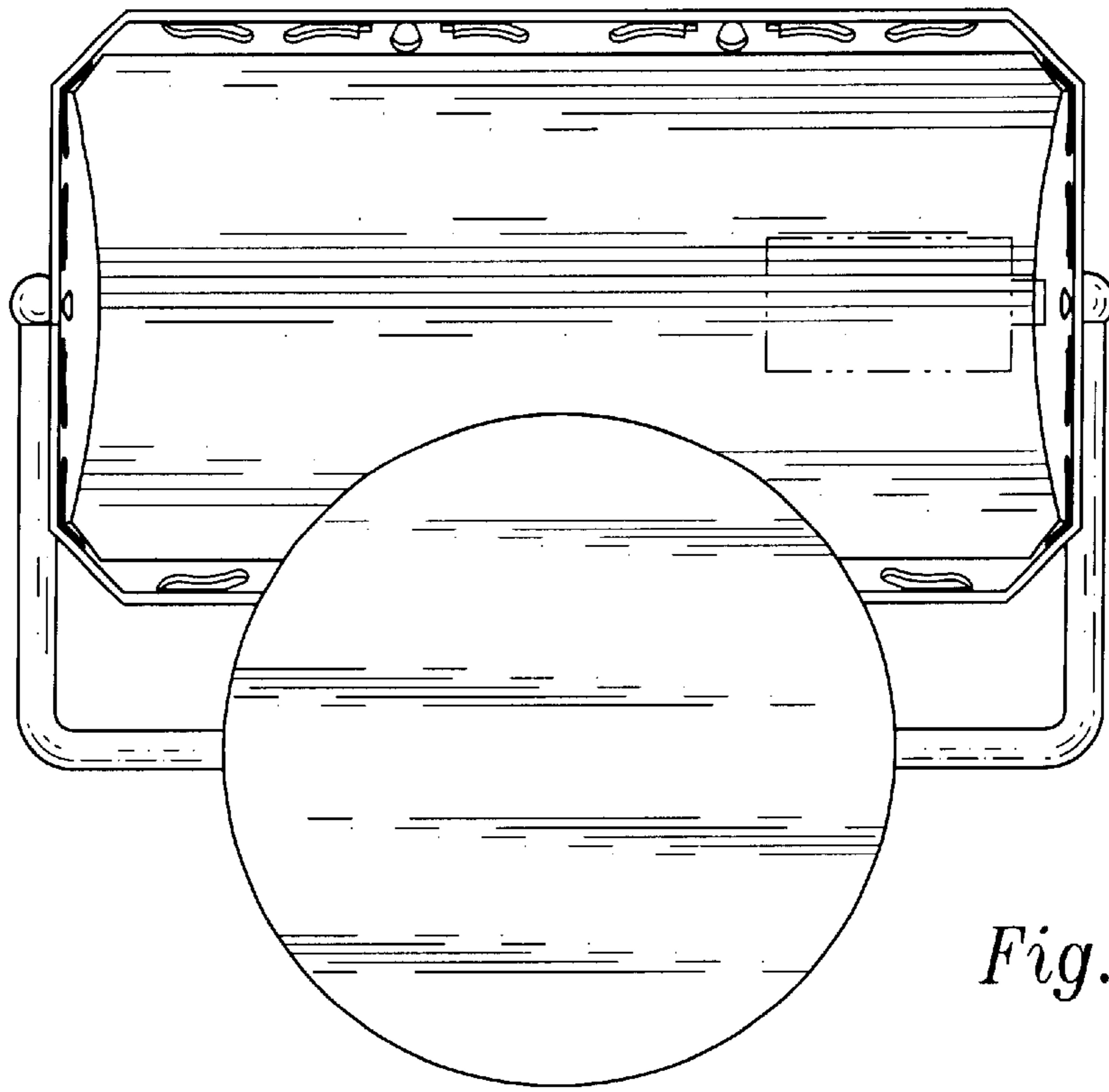
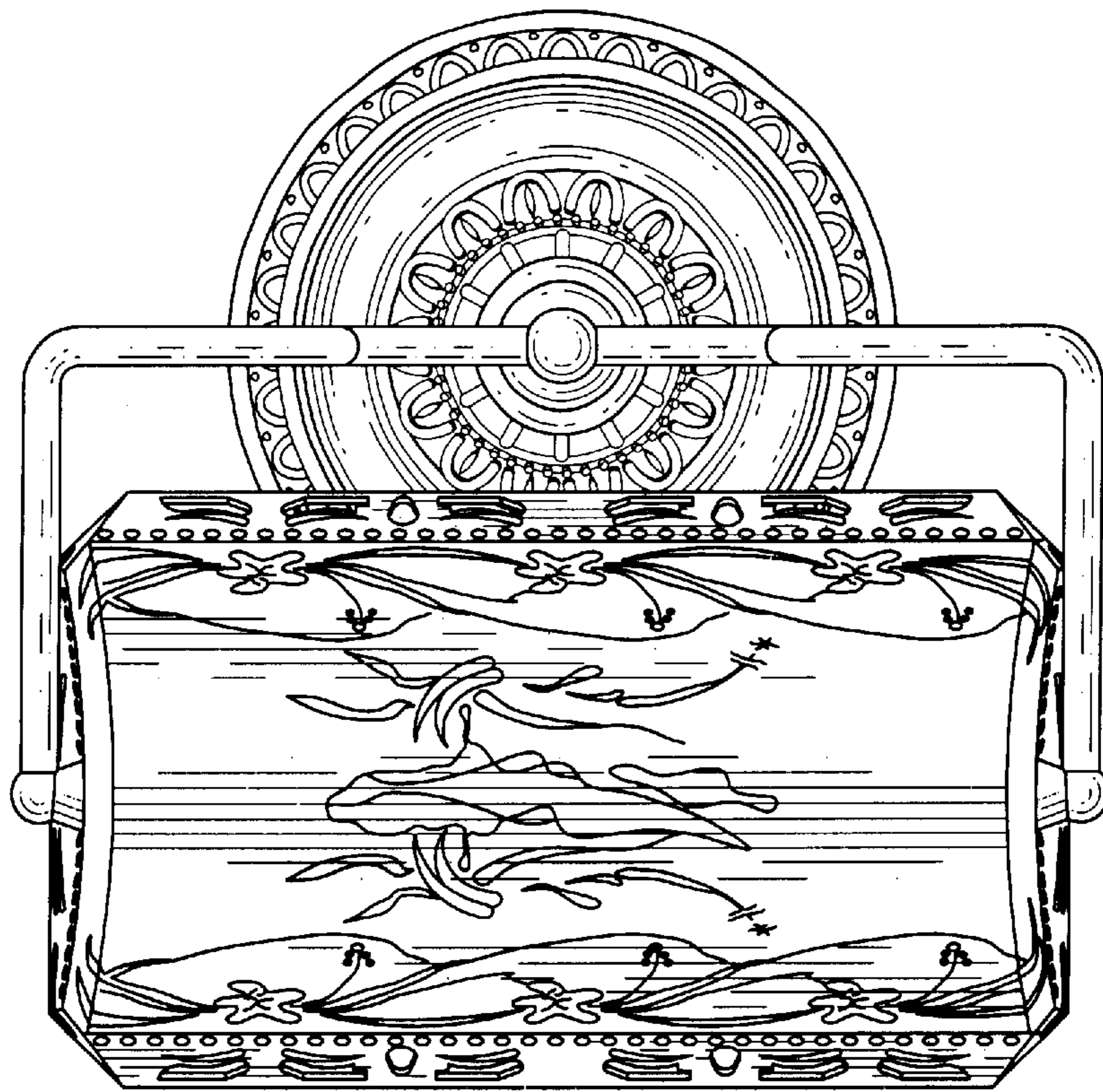


Fig. 4



*Fig. 5*



*Fig. 6*