



US00D452923B1

(12) **United States Design Patent**  
**Kim**

(10) **Patent No.:** **US D452,923 S**

(45) **Date of Patent:** **\*\* Jan. 8, 2002**

(54) **FOG LAMP FOR AUTOMOBILE**

(75) Inventor: **Sun Ho Kim**, Kyounggi-do (KR)

(73) Assignees: **Hyundai Motor Company; Hyundai Precision & Ind. Co. Ltd.**, both of Seoul (KR)

(\*\*) Term: **14 Years**

(21) Appl. No.: **29/125,748**

(22) Filed: **Jun. 30, 2000**

(30) **Foreign Application Priority Data**

Dec. 31, 1999 (KR) ..... 99-32372

(51) **LOC (7) Cl.** ..... **26-02**

(52) **U.S. Cl.** ..... **D26/28**

(58) **Field of Search** ..... D26/28-36; D21/581, D21/424; D12/82, 86, 90, 91, 92; 362/459, 460, 465, 487, 497, 498, 499, 541, 543, 544, 549; 340/901, 472, 471, 468, 467, 465

(56) **References Cited**

**U.S. PATENT DOCUMENTS**

D305,940 S \* 2/1990 Fukagawa ..... D26/28  
D323,901 S \* 2/1992 Falck ..... D26/35  
D334,992 S \* 4/1993 Sacco ..... D26/35

D427,342 S \* 6/2000 Hunter et al. .... D26/28  
D427,363 S \* 6/2000 Sacco ..... D26/28

\* cited by examiner

*Primary Examiner*—Susan J. Lucas

(74) *Attorney, Agent, or Firm*—Lowe Hauptman Gilman & Berner, LLP

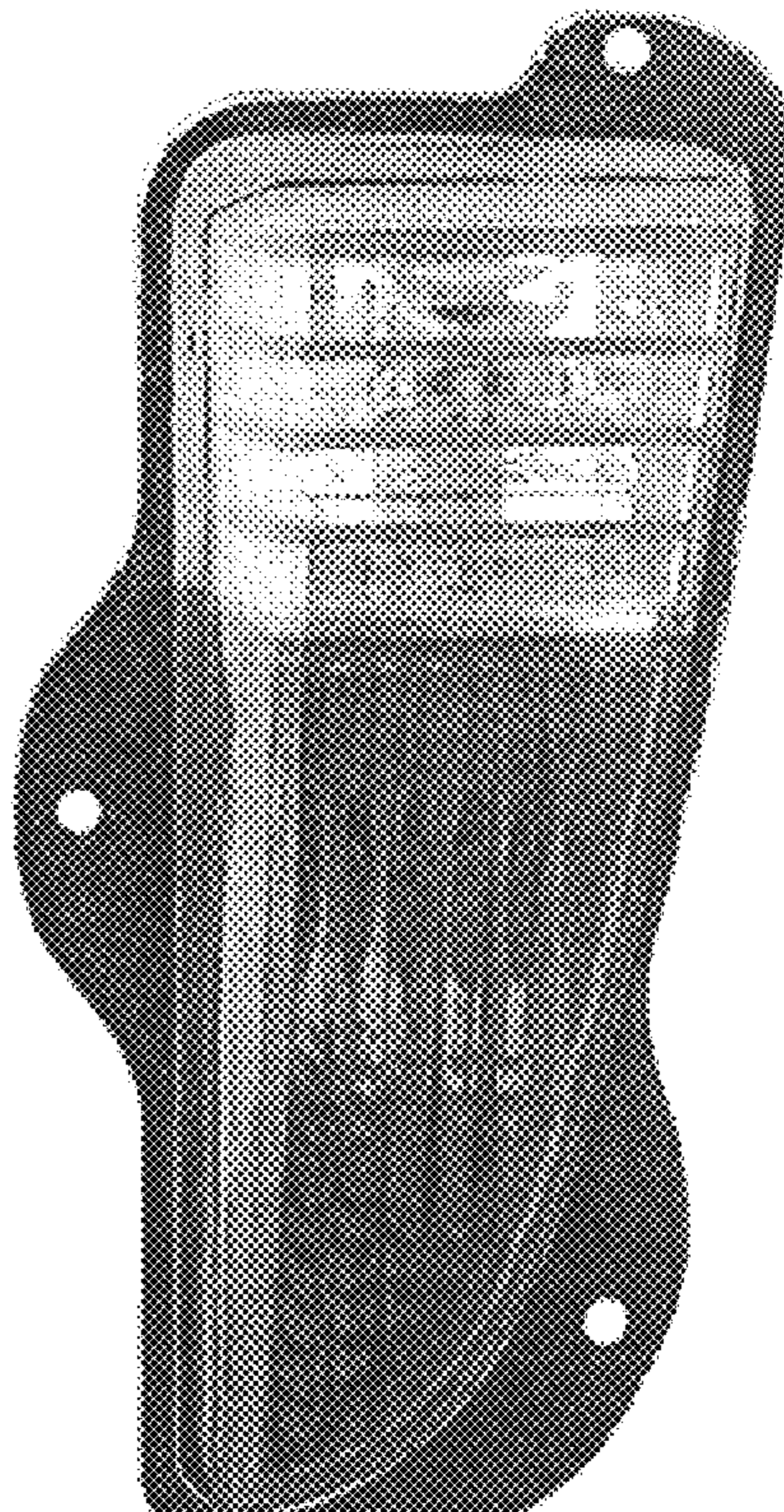
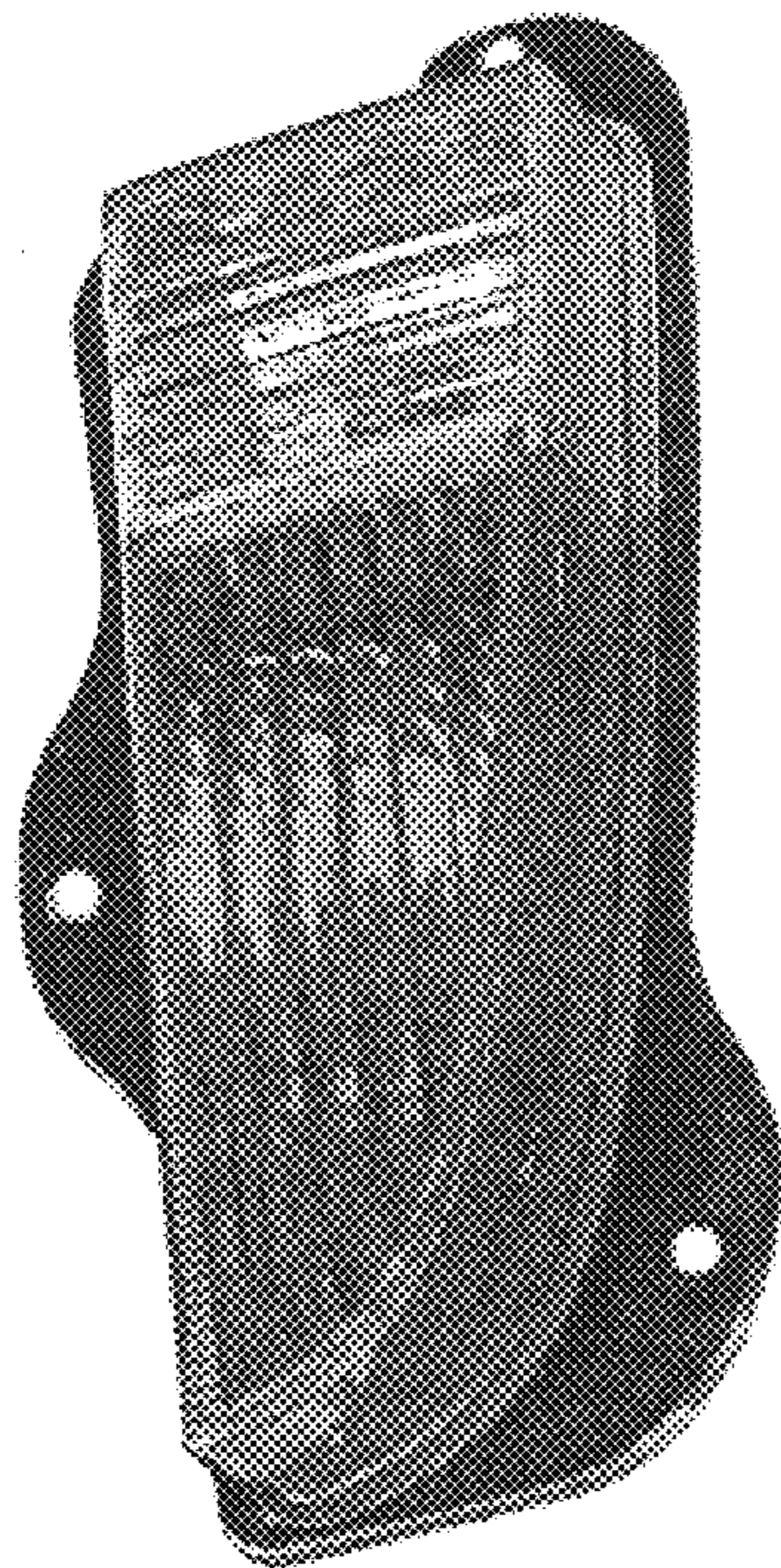
(57) **CLAIM**

The ornamental design for a fog lamp for automobile, as shown and described.

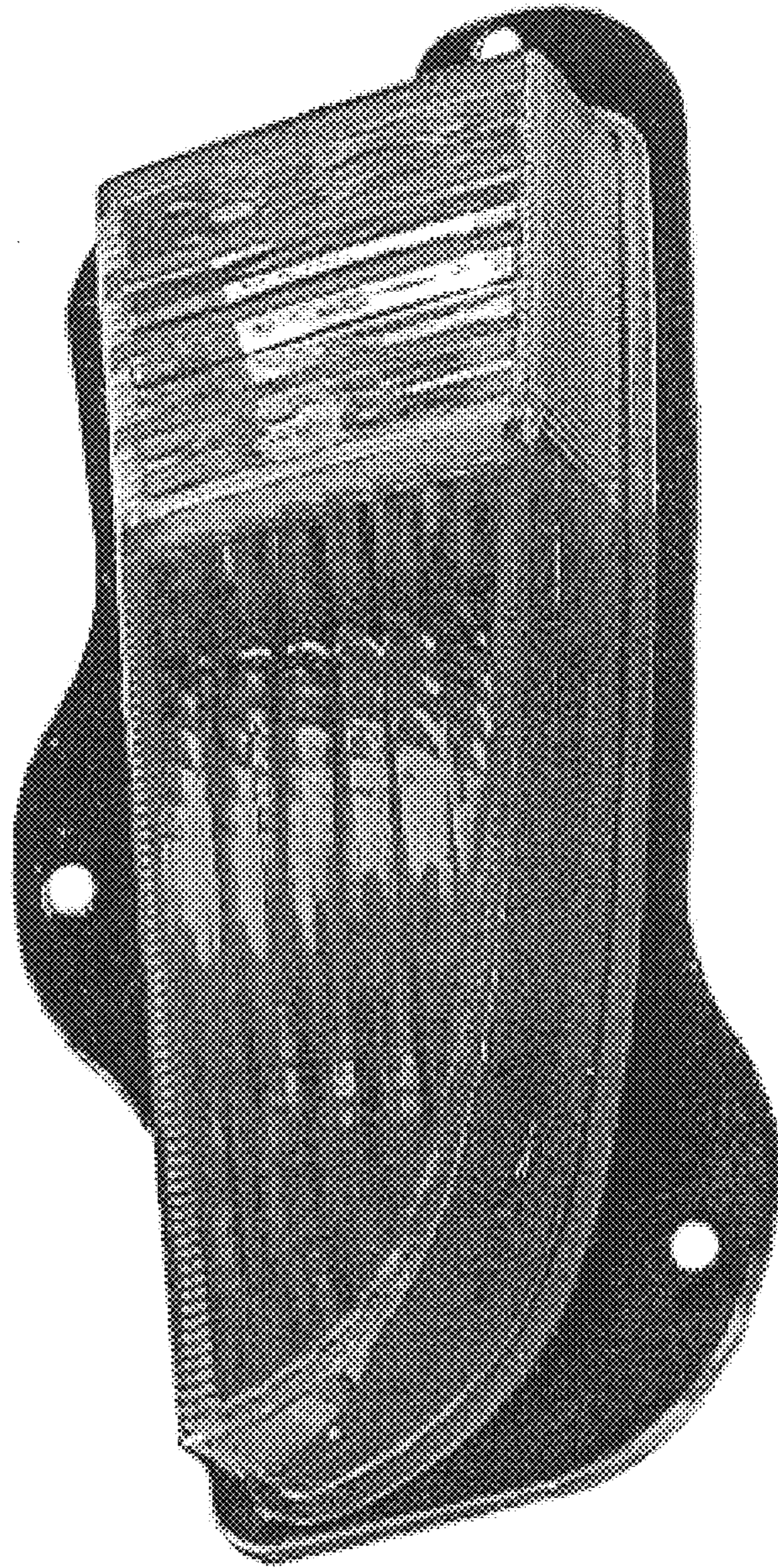
**DESCRIPTION**

FIG. 1 is a perspective view of the fog lamp for automobile according to the present invention;  
FIG. 2 is a front elevational view of the fog lamp for automobile according to the present invention;  
FIG. 3 is a rear elevational view of the fog lamp for automobile according to the present invention;  
FIG. 4 is a left side elevational view of the fog lamp for automobile according to the present invention;  
FIG. 5 is a right side elevational view of the fog lamp for automobile according to the present invention;  
FIG. 6 is a top plan view of the fog lamp for automobile according to the present invention; and,  
FIG. 7 is a bottom plan view of the fog lamp for automobile according to the present invention.

**1 Claim, 7 Drawing Sheets**

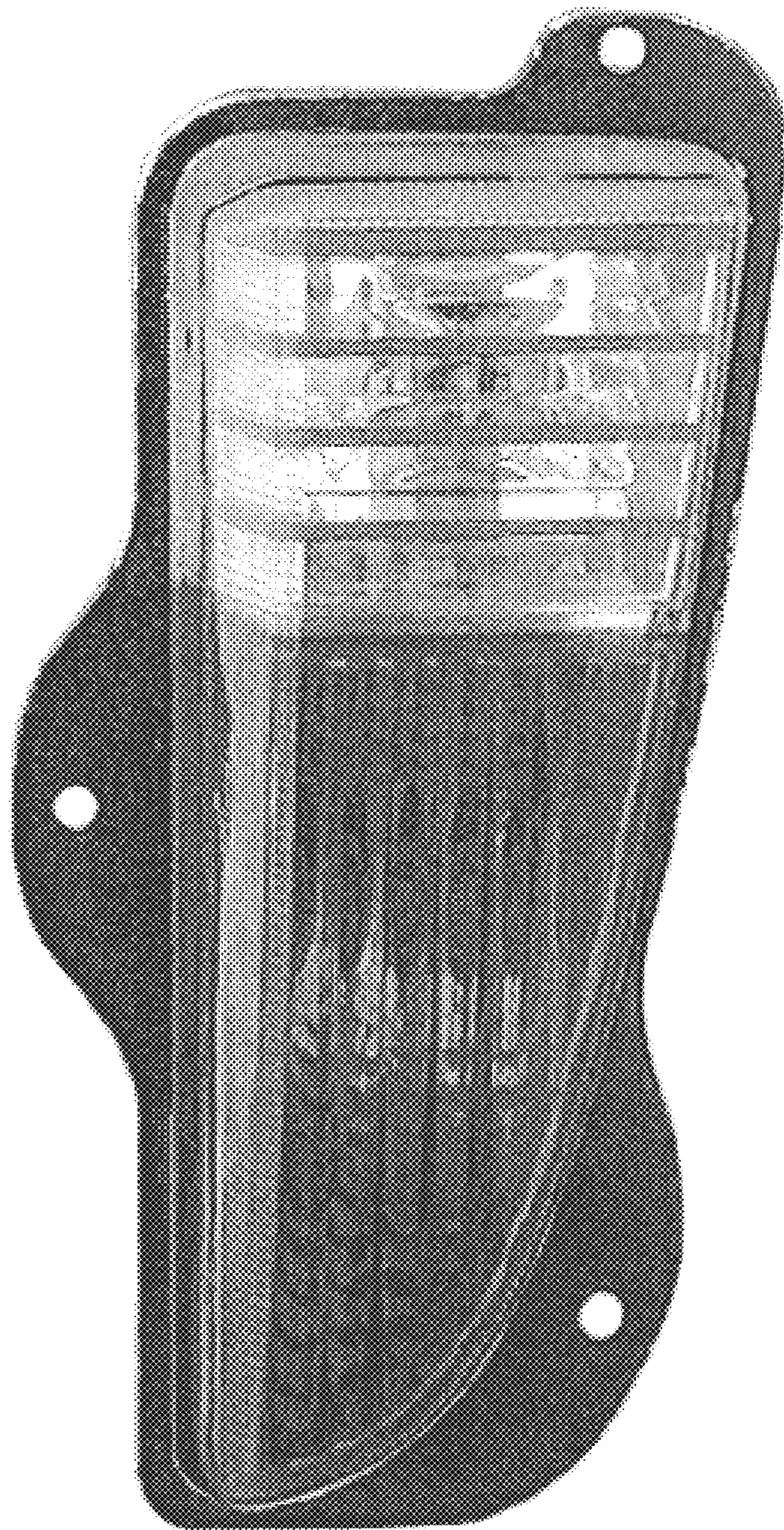






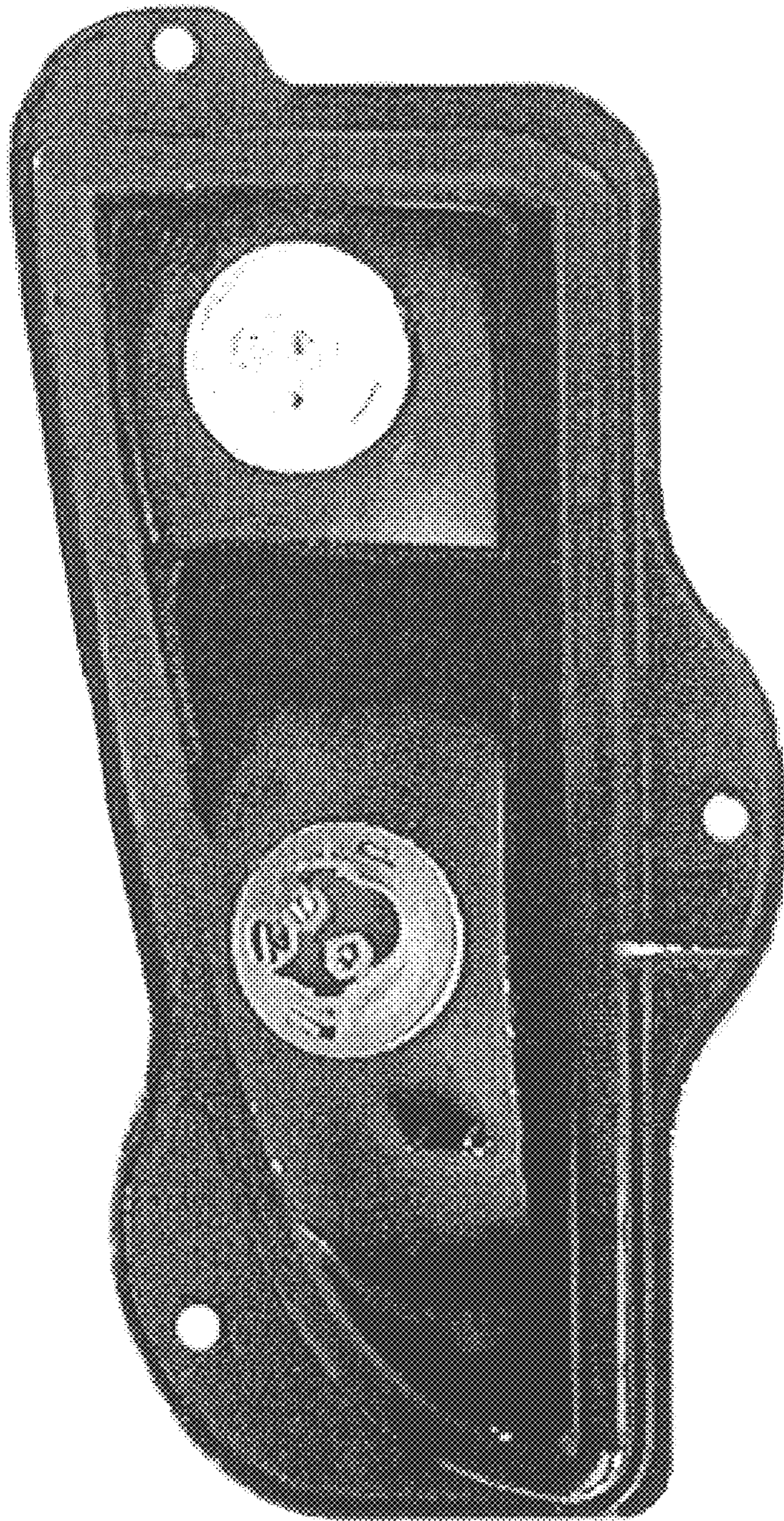
**FIGURE 1**





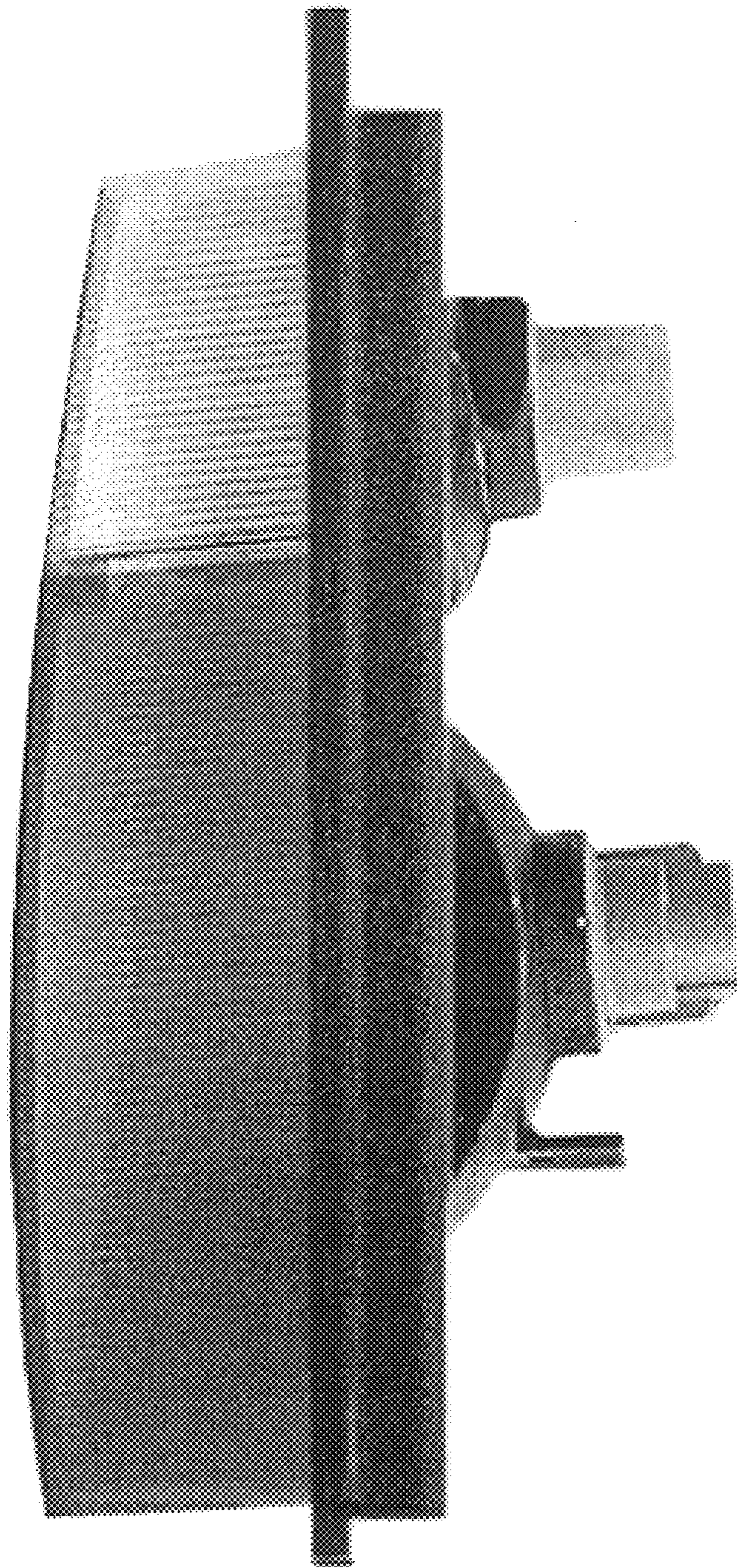
**FIGURE 2**





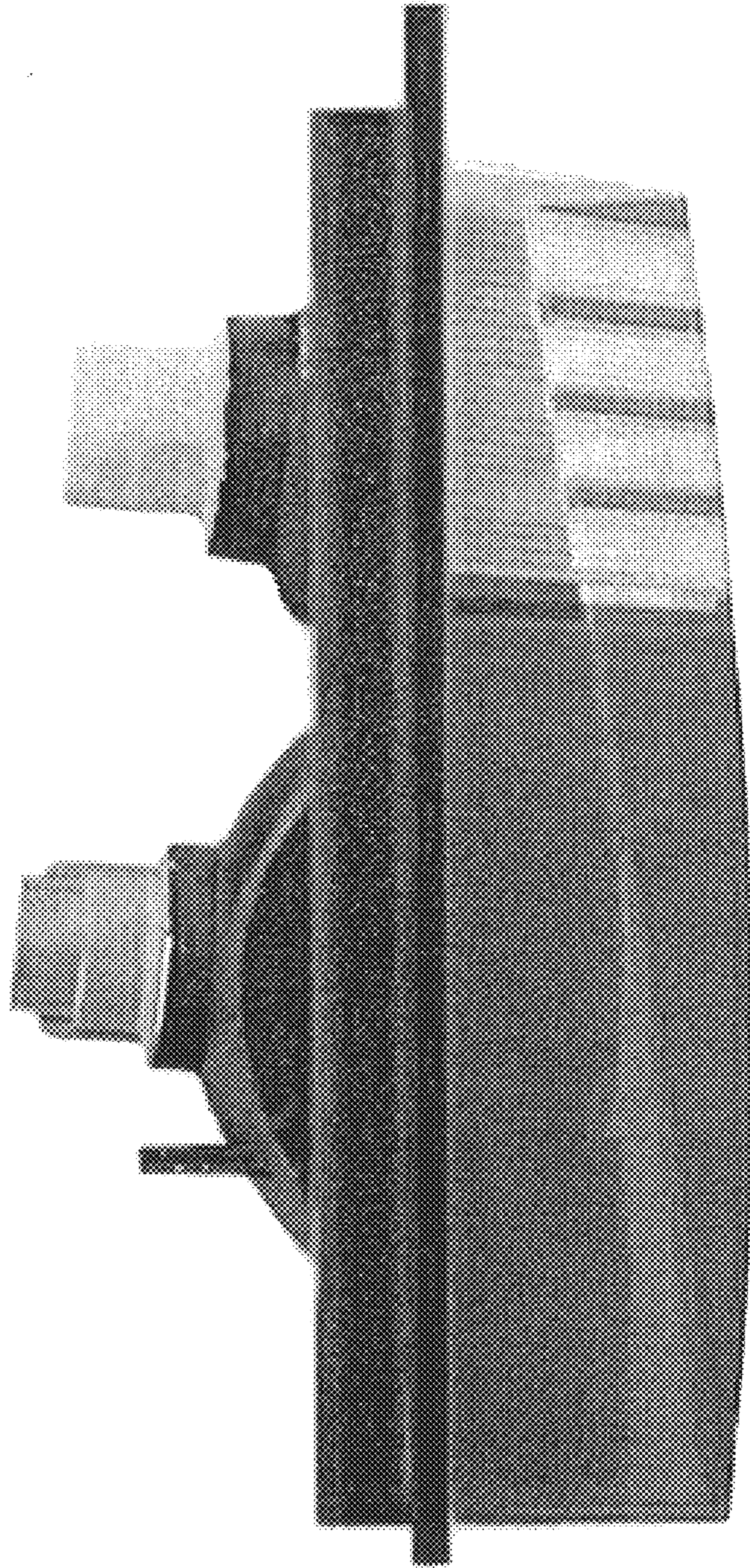
**FIGURE 3**





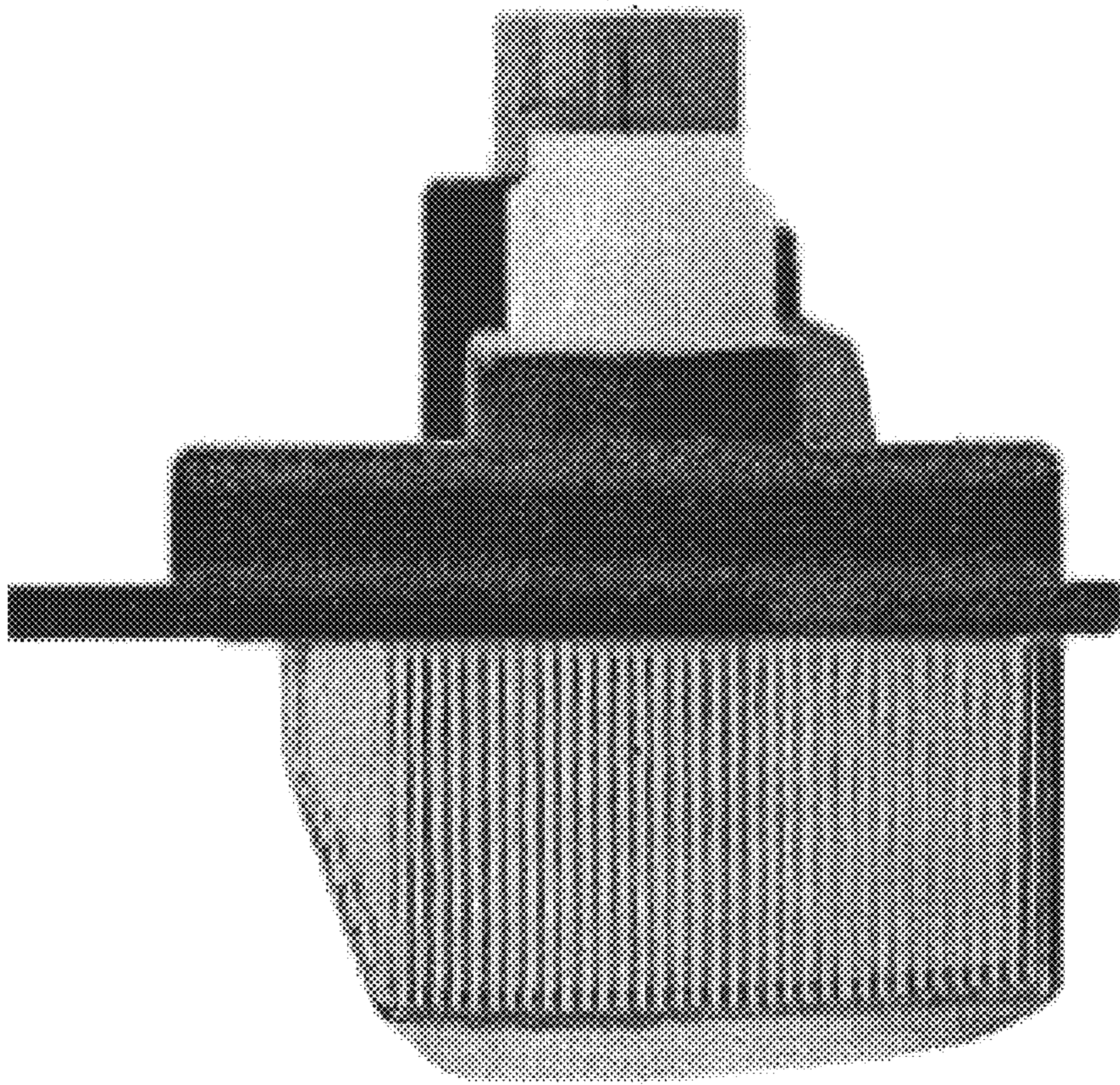
**FIGURE 4**





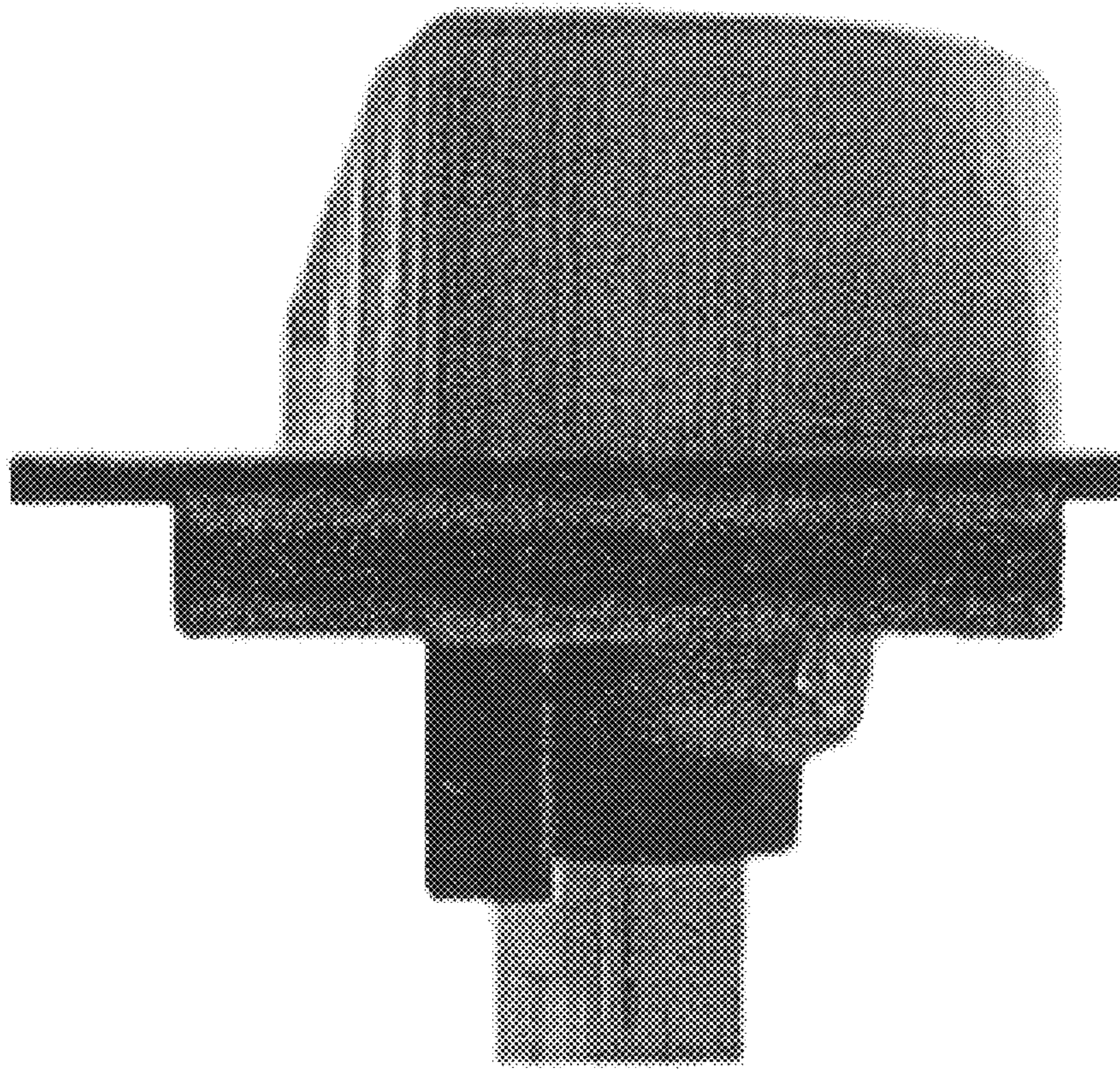
**FIGURE 5**





**FIGURE 6**





**FIGURE 7**