



US00D452920B1

(12) **United States Design Patent**
Alvarez et al.

(10) **Patent No.:** **US D452,920 S**
(45) **Date of Patent:** **** Jan. 8, 2002**

(54) **ROOF TILE**

FOREIGN PATENT DOCUMENTS

(75) Inventors: **Alfonso V. Alvarez**, San Bernidino, CA (US); **Woods W. Burnett**, North Augusta, SC (US); **Eric Martin Hahn**, Aliso Viejo, CA (US); **Walter Arthur Schreifels**, Carlsbad, CA (US); **Joseph Edward Smith**, Rancho Mirage, CA (US); **Patrick Gene Sullivan**, Fountain Valley, CA (US)

CA	AC 70225	3/1992
CH	1 569 978	6/1980
DE	93888	12/1896
EP	0088198 A2	9/1983
EP	0115374 A2	8/1984
EP	0175500 A1	3/1986
EP	0236585 A1	9/1987
EP	0375802 A1	7/1990
FR	1259641	8/1961
FR	0 095 420 A1	11/1983
GB	416649	10/1934
GB	483969	3/1938
GB	896450	6/1960
GB	995692	7/1963
GB	1 020 013	9/1966
GB	2046808 A	11/1980

(73) Assignee: **Boral Lifetile, Inc.**, Newport Beach, CA (US)

(**) Term: **14 Years**

(21) Appl. No.: **29/101,397**

(22) Filed: **Mar. 3, 1999**

Related U.S. Application Data

(62) Division of application No. 29/070,863, filed on Apr. 15, 1997, now Pat. No. Des. 411,316.

(51) **LOC (7) Cl.** **25-01**

(52) **U.S. Cl.** **D25/140**

(58) **Field of Search** D25/139, 140;
52/519, 521, 531, 536, 546, 547, 551, 554,
555, 311.2, 518

(56) **References Cited**

U.S. PATENT DOCUMENTS

147,061 A	2/1874	Manvel
479,442 A	7/1892	Marvick
491,625 A	2/1893	Wutke
D27,761 S	10/1897	Mark
D34,586 S	5/1901	Weil et al.
D53,102 S	3/1919	Creighton
1,427,968 A	9/1922	Pederson
1,454,070 A	5/1923	Openshaw
1,993,086 A	3/1935	Chaffee
2,340,038 A	1/1944	Buczowski et al.
2,393,379 A	1/1946	Jones

(List continued on next page.)

(List continued on next page.)

Primary Examiner—Louis S. Zarfaz
Assistant Examiner—Robert A. Delehanty
(74) *Attorney, Agent, or Firm*—Alston & Bird LLP

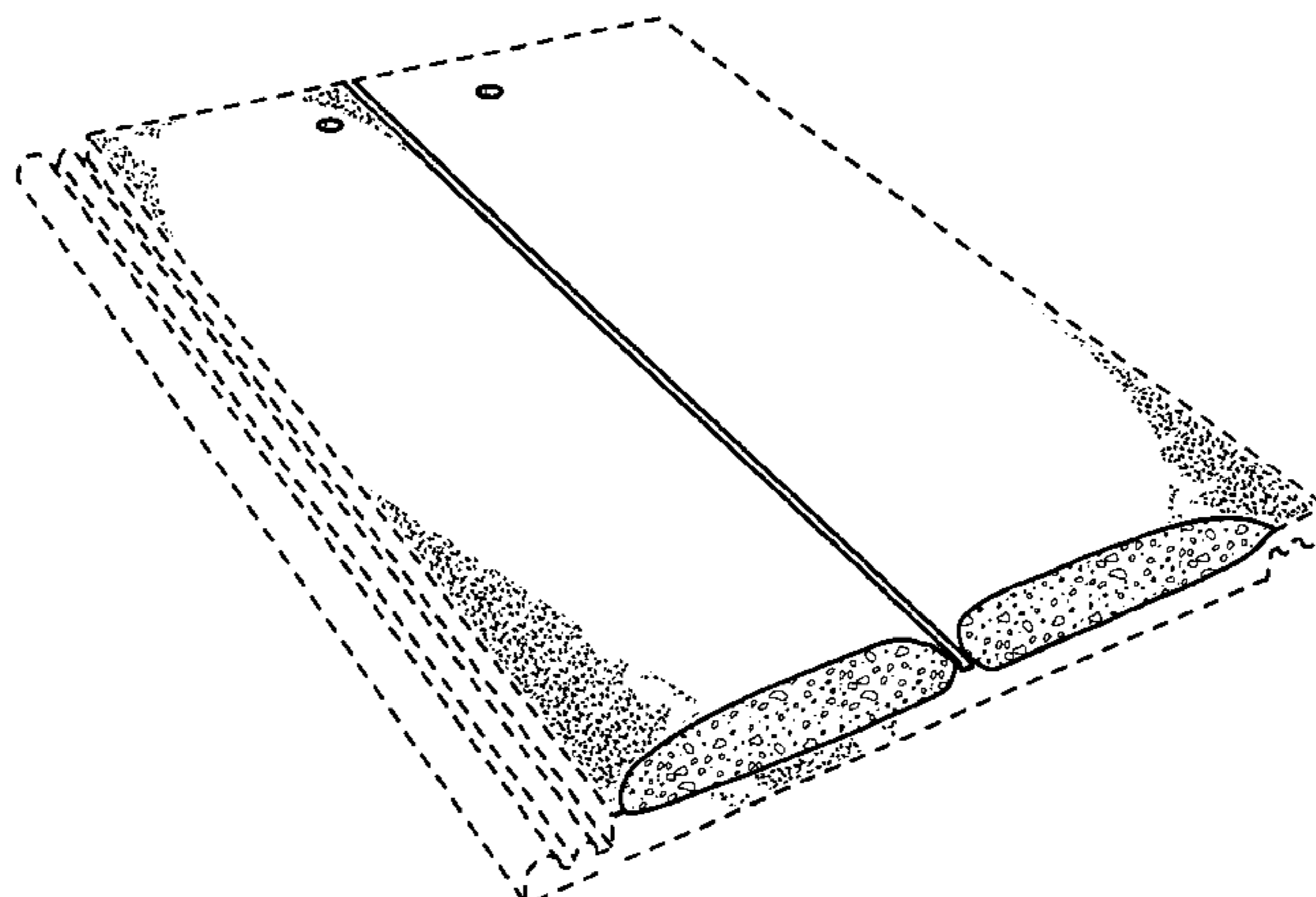
(57) **CLAIM**

The ornamental design for a roof tile, as shown and described.

DESCRIPTION

FIG. 1 is a top perspective view of a first embodiment of a roof tile showing my new design;
FIG. 2 is a top perspective view of a second embodiment thereof;
FIG. 3 is a top perspective view of a third embodiment thereof;
FIG. 4 is a top plan view of a roof tile shown in FIG. 3;
FIG. 5 is a bottom perspective view of a roof tile shown in FIGS. 1-3 it being understood the differences being the arrangement of the cut-out portions at the bottom end respectively; and,
FIG. 6 is a bottom plan view of a roof tile shown in FIG. 3. The broken line showing portions of the roof tile is for illustrative purposes only and forms no part of the claimed design.

1 Claim, 3 Drawing Sheets



US D452,920 S

Page 2

U.S. PATENT DOCUMENTS

2,510,416 A 6/1950 Pretty
2,624,298 A 1/1953 Farren
3,267,823 A 8/1966 MacRae
D208,887 S 10/1967 Shingle
3,440,777 A 4/1969 Martin
3,667,184 A 6/1972 Merrill et al.
3,740,914 A 6/1973 Arnaiz Diez
3,873,225 A 3/1975 Jakobsen
3,899,855 A 8/1975 Gadsby
4,034,528 A 7/1977 Sanders et al.
4,065,899 A 1/1978 Kirkuff
4,130,974 A 12/1978 Chalmers et al.
4,185,939 A 1/1980 Barth et al.
4,279,106 A 7/1981 Gleason et al.
4,506,483 A 3/1985 Phalen, Jr.
4,535,579 A 8/1985 Burgoyne et al.
D282,288 S 1/1986 Bates
4,574,536 A 3/1986 Bamber et al.
D283,551 S 4/1986 Repasky
4,731,969 A 3/1988 Baker et al.
4,738,068 A 4/1988 Mendez
4,752,520 A 6/1988 Franklin
4,890,432 A 1/1990 Shepherd

4,899,514 A 2/1990 Brookhart, Jr.
4,932,184 A 6/1990 Waller
D320,091 S 9/1991 Paquette
D321,942 S 11/1991 Lynn
5,070,671 A 12/1991 Fifield et al.
5,214,895 A 6/1993 Fifield
D338,541 S 8/1993 Fifield
5,268,028 A 12/1993 Fifield
D347,483 S 5/1994 Thomas
D356,873 S 3/1995 Bamber et al.
5,395,442 A 3/1995 Dunton et al.
5,406,766 A 4/1995 Nicholas et al.
5,490,360 A 2/1996 Fifield et al.
5,502,940 A 4/1996 Fifield
D370,549 S 6/1996 Treat
5,603,758 A 2/1997 Schreifels

FOREIGN PATENT DOCUMENTS

GB 1586369 3/1981
GB 2111550 A 7/1983
GB 2123058 A 1/1984
GB 2178773 A 2/1987
GB 2245613 A 1/1992
IE D-9125 6/1990
WO WO89/06728 7/1989

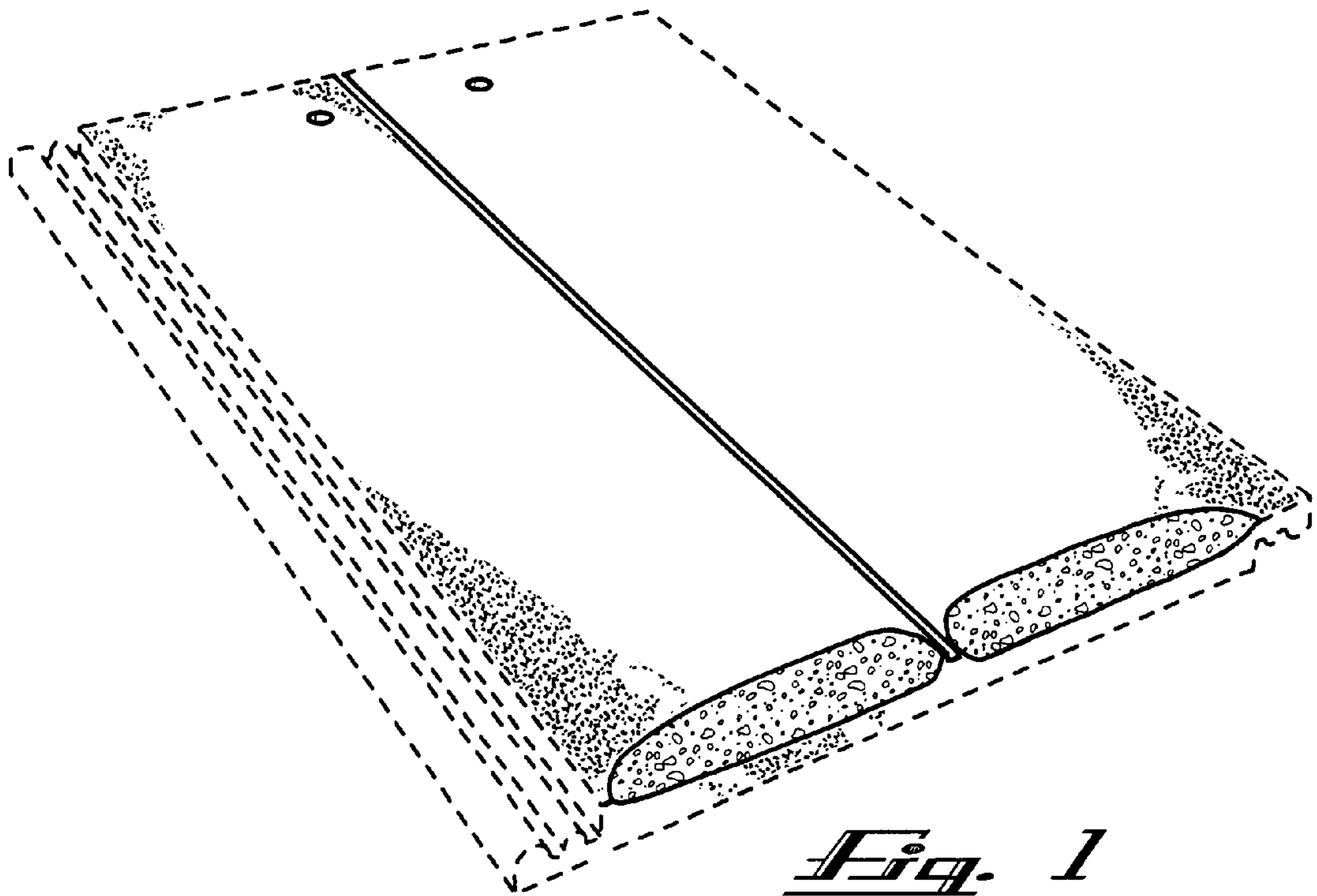


Fig. 1

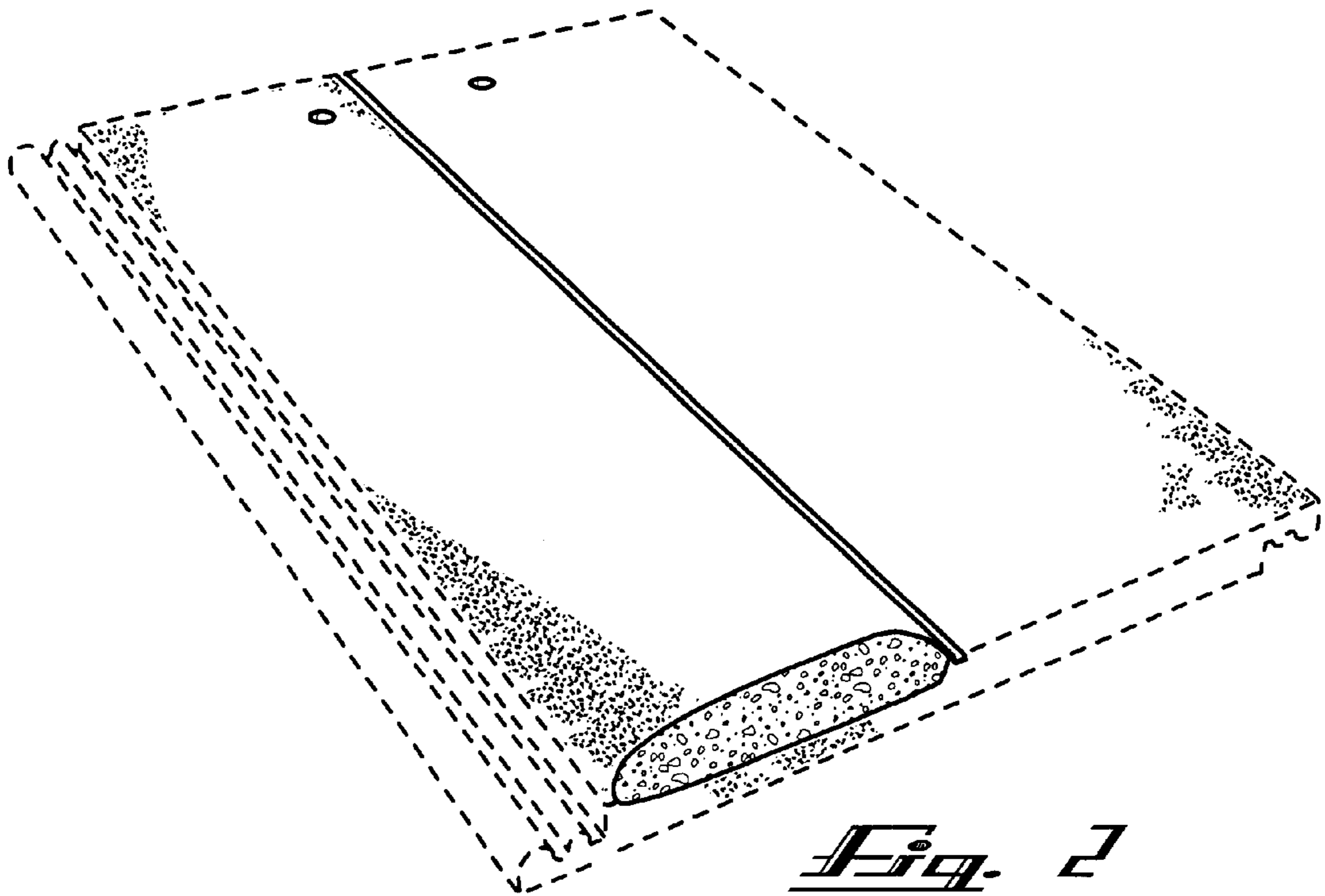


Fig. 2

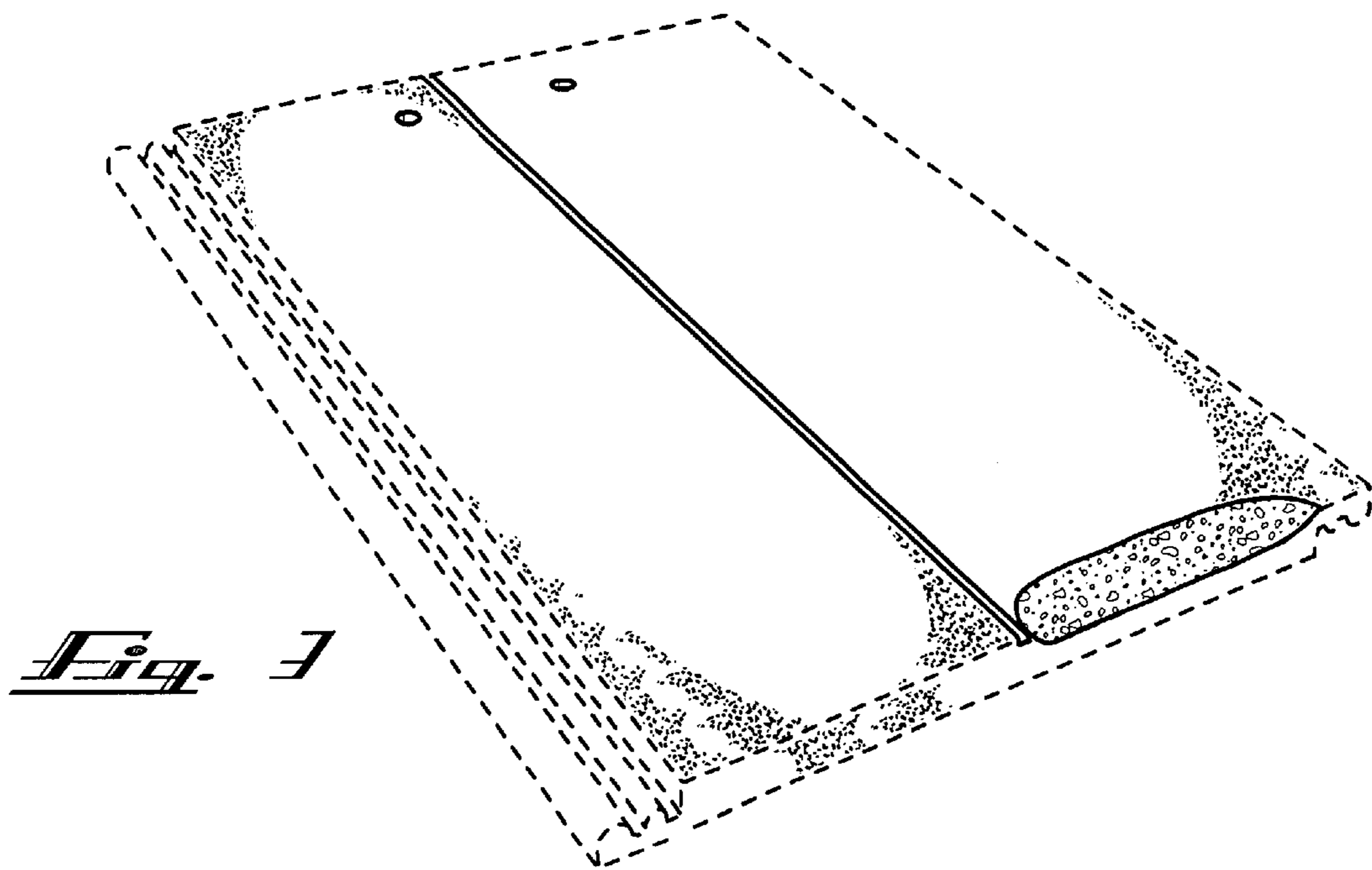


Fig. 3

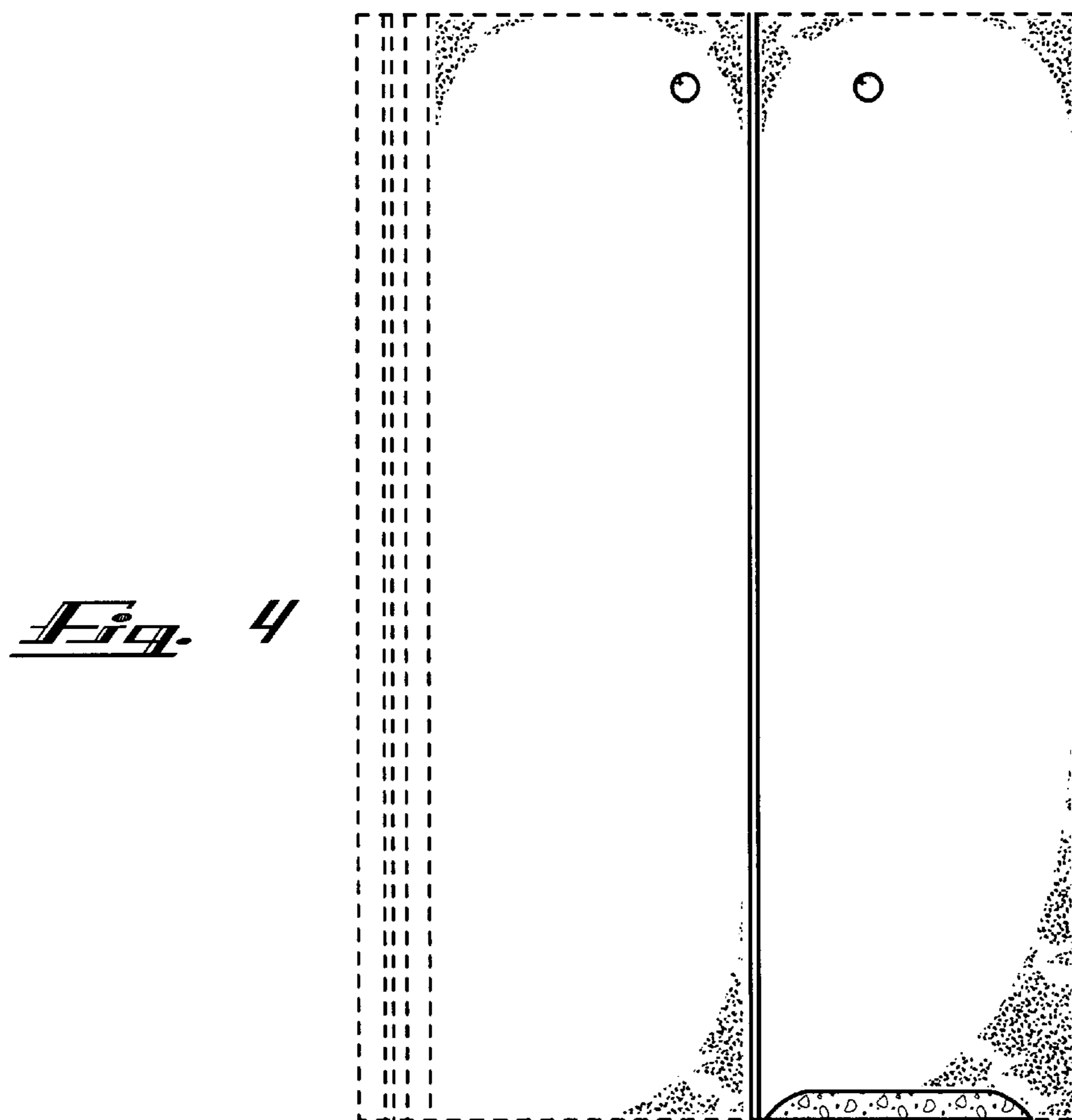


Fig. 4

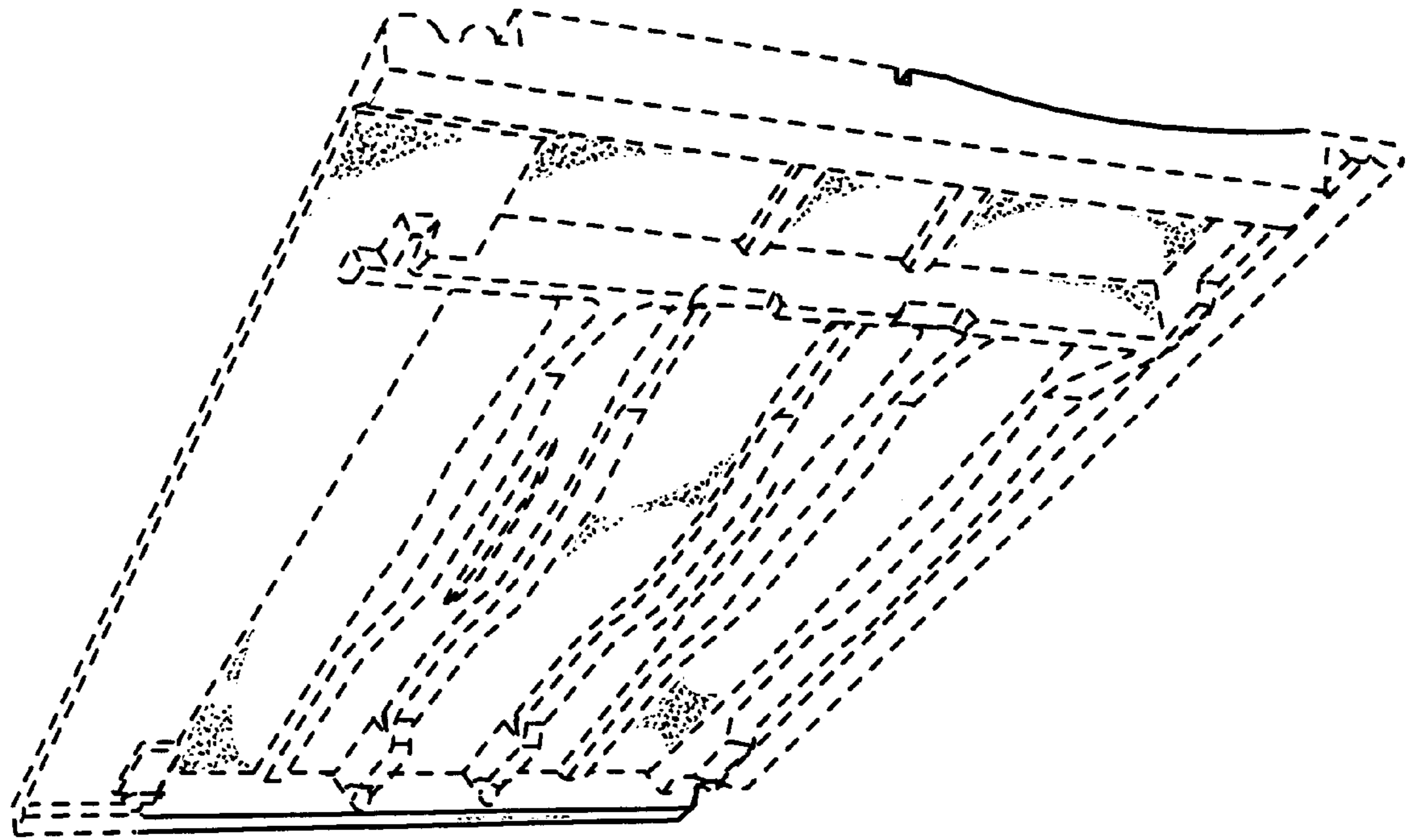


Fig. 5



Fig. 6